



US00D443534S

(12) **United States Design Patent**
Dubay et al.

(10) **Patent No.:** **US D443,534 S**

(45) **Date of Patent:** **** Jun. 12, 2001**

(54) **PORTABLE MOISTURE TESTER**

(75) Inventors: **John Dubay**, Chagrin Falls; **Trent Allen McElheney**, North Jackson; **James Tallison Falbo**, Stow, all of OH (US)

(73) Assignee: **Worens Group Inc.**, Sarasota, FL (US)

(**) Term: **14 Years**

(21) Appl. No.: **29/129,524**

(22) Filed: **Sep. 15, 2000**

(51) **LOC (7) Cl.** **10-09**

(52) **U.S. Cl.** **D10/56**

(58) **Field of Search** D10/56; 73/73; 324/694, 696, 724; 340/604; 702/50

(56) **References Cited**

U.S. PATENT DOCUMENTS

6,088,657 * 7/2000 McMahon 702/50

* cited by examiner

Primary Examiner—Antoine Duval Davis

(74) *Attorney, Agent, or Firm*—Vytas R. Matas

(57) **CLAIM**

The ornamental design for a portable moisture tester, as shown and described.

DESCRIPTION

The present design is drawn to a portable measuring instrument for measuring the moisture content of grain materials. FIG. 1 is a top perspective view of the new design moisture tester; FIG. 2 is a full front view of the new design moisture tester; FIG. 3 is a full right side view of the new design moisture tester; FIG. 4 is a full top view of the new design moisture tester; FIG. 5 is a full rear view of the new design moisture tester; FIG. 6 is a full left side view of the new design moisture tester; and, FIG. 7 is a full bottom view of the new design moisture tester.

1 Claim, 3 Drawing Sheets

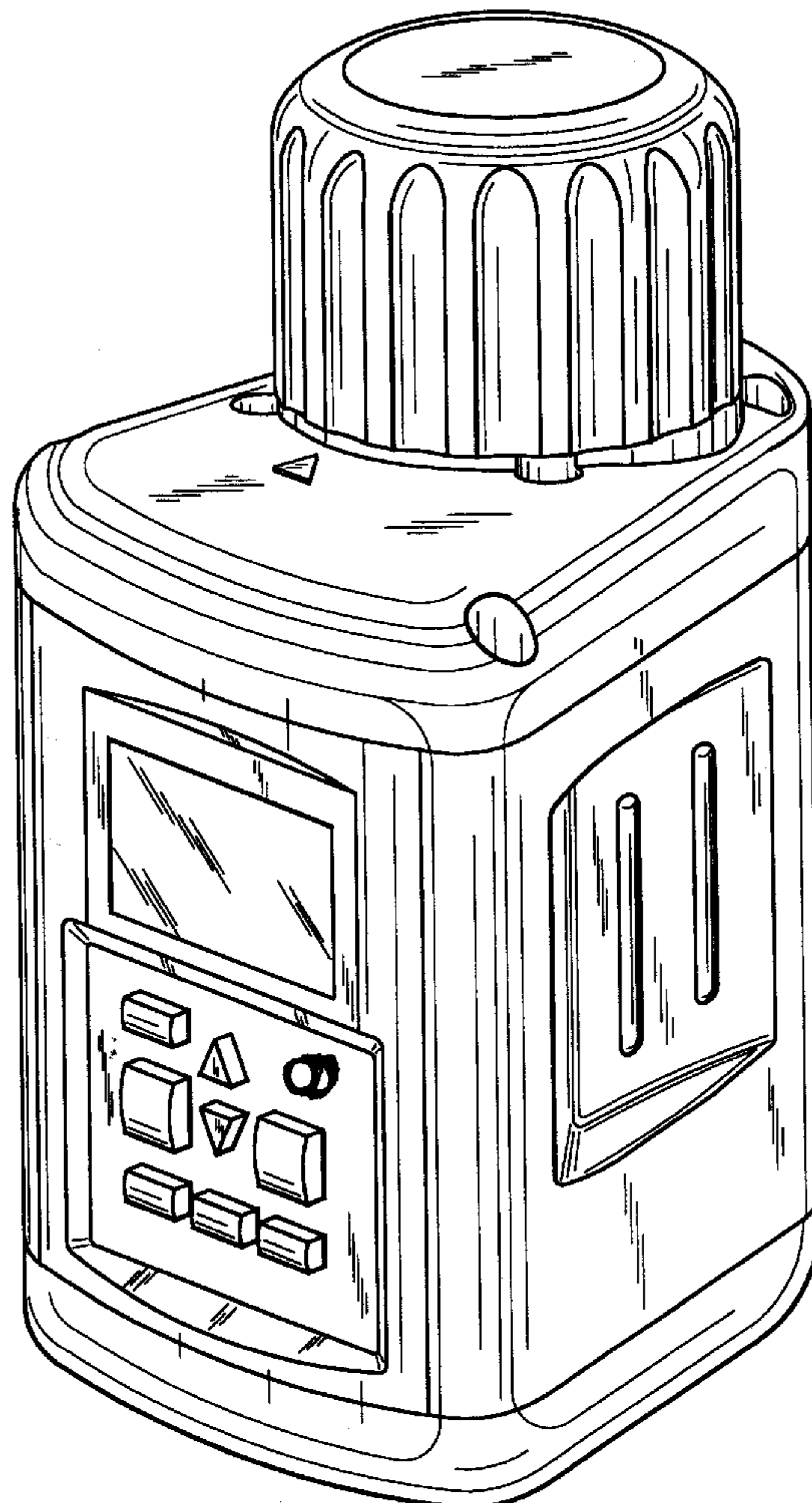
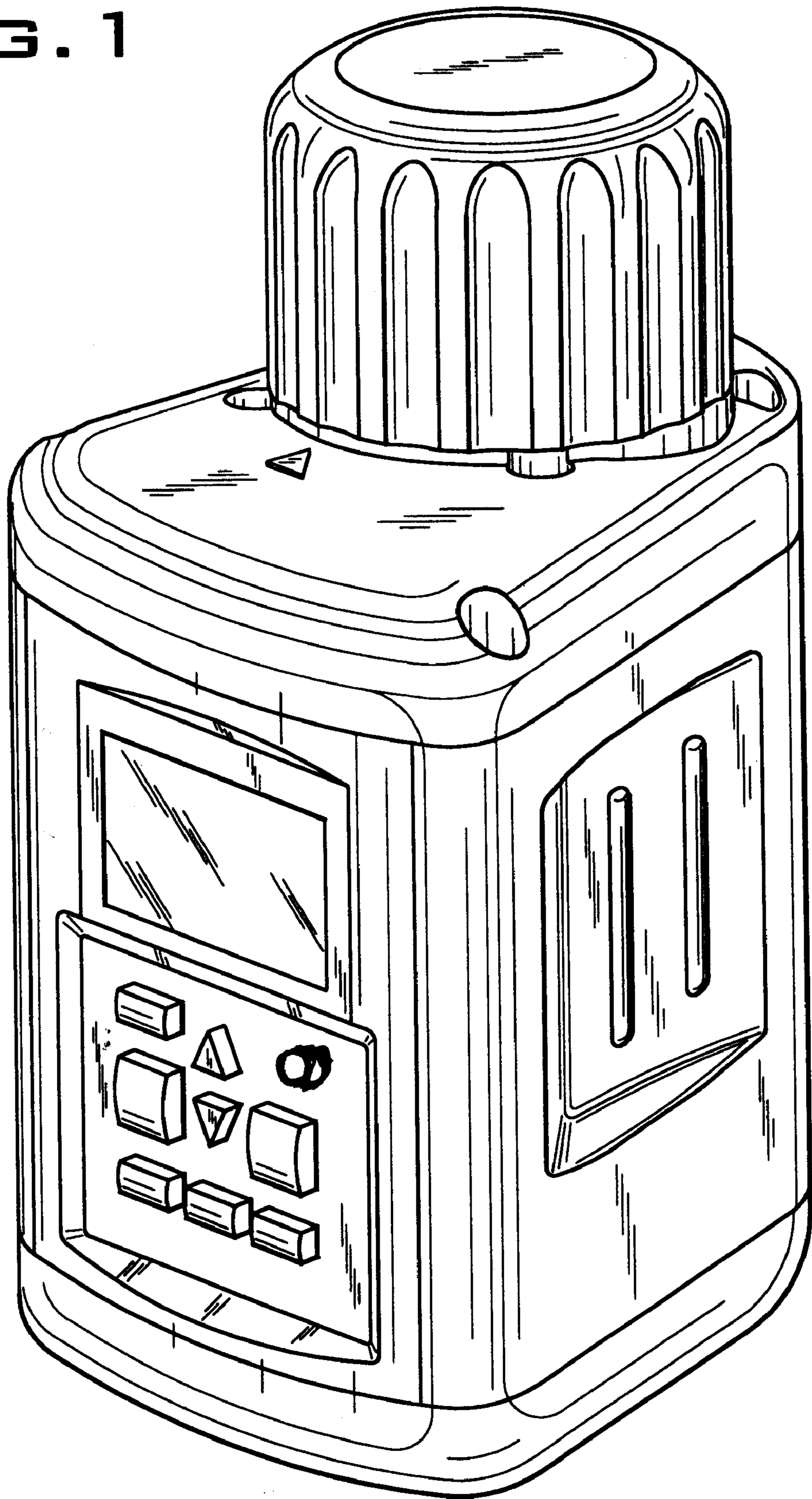


FIG. 1



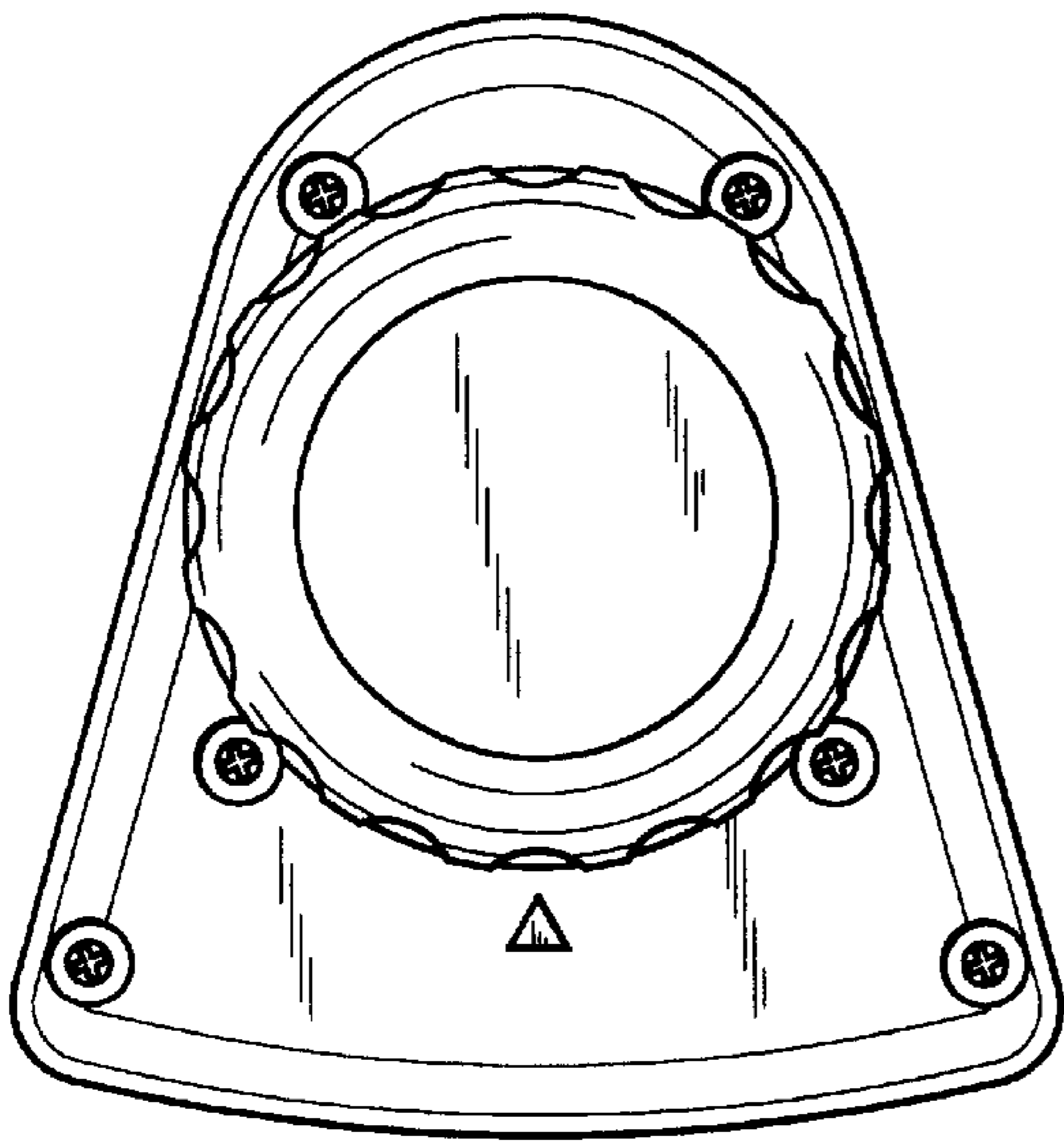


FIG. 4

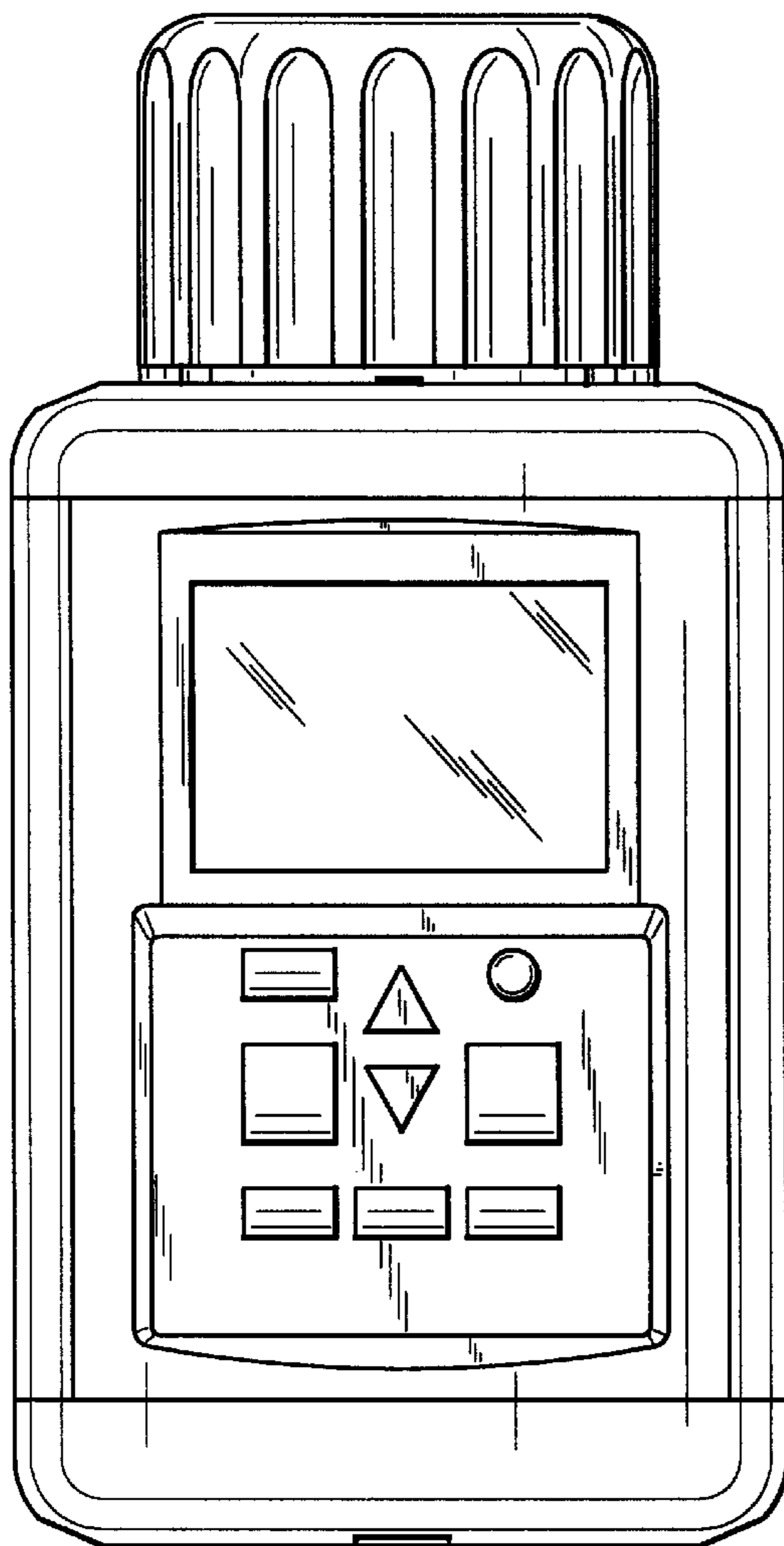


FIG. 2

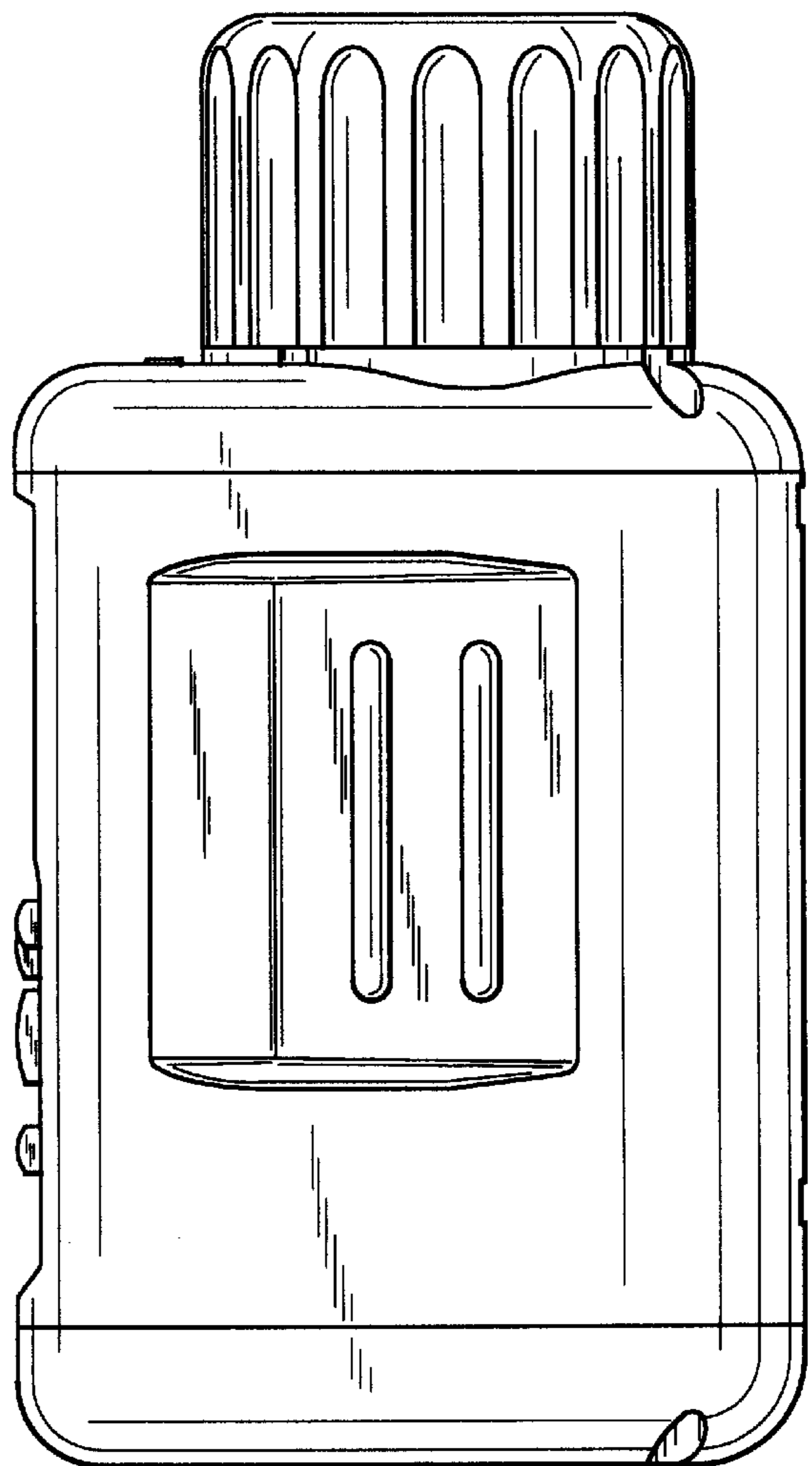


FIG. 3

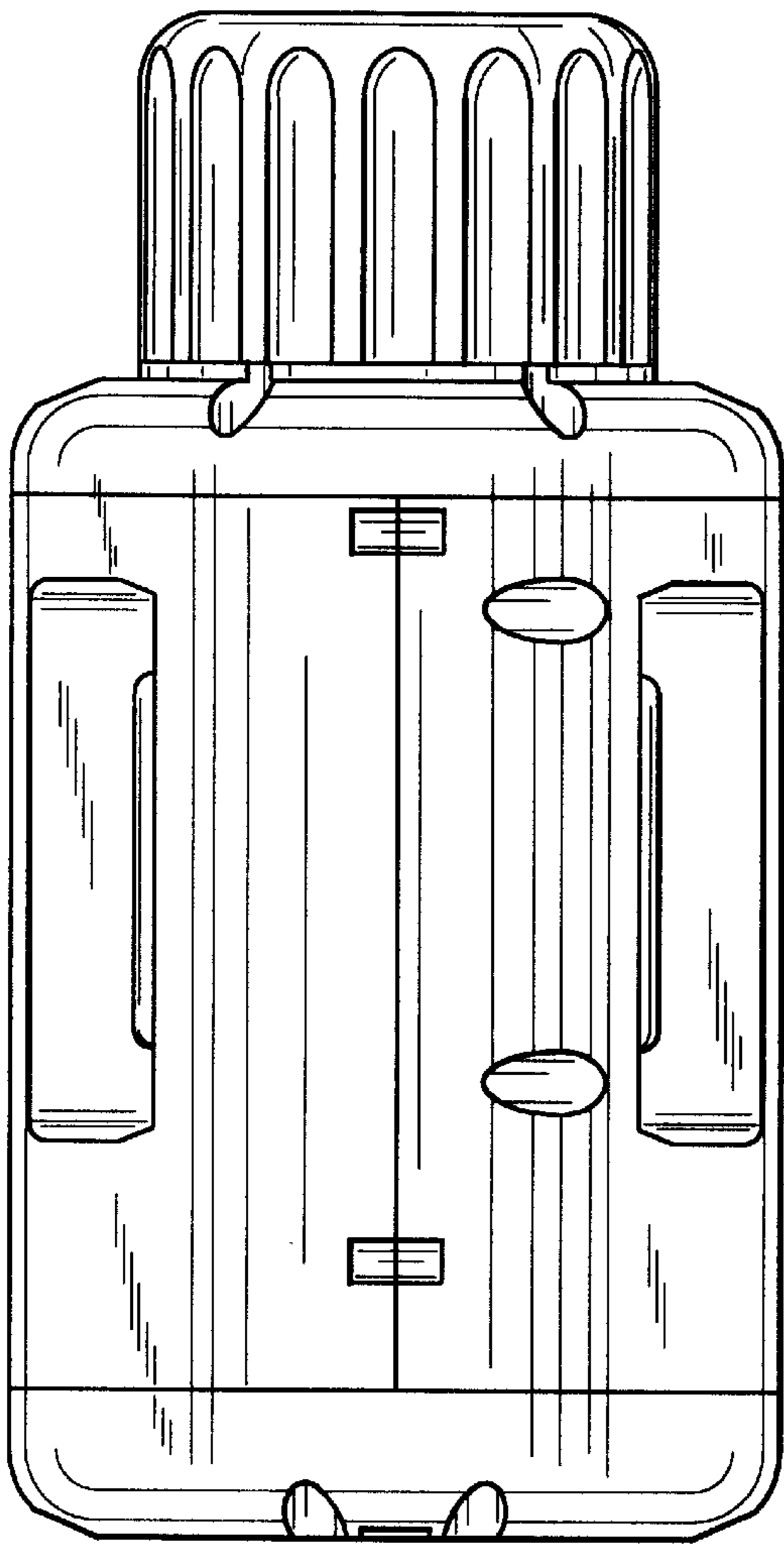


FIG. 5

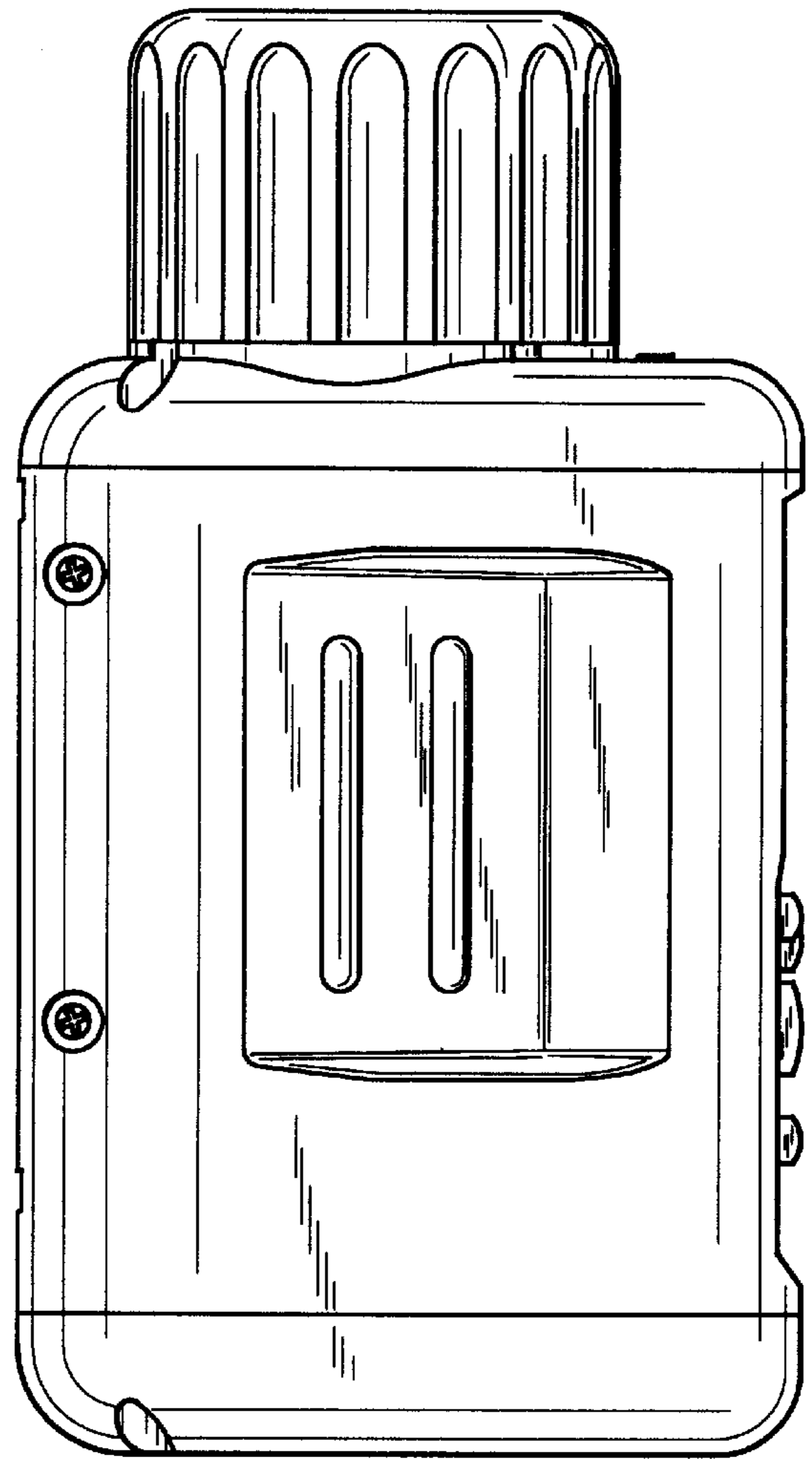


FIG. 6

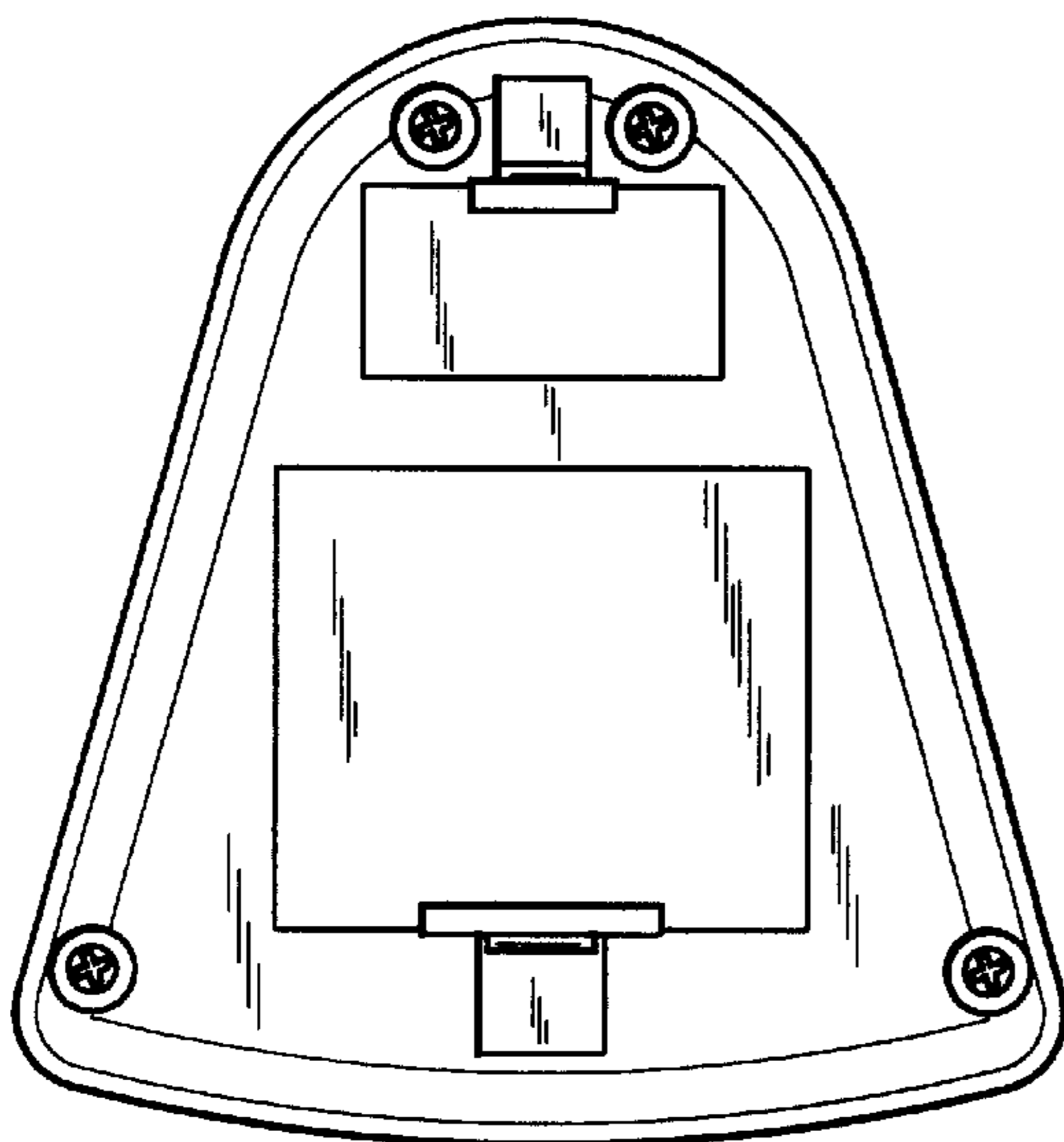


FIG. 7