



US00D443533S

(12) **United States Design Patent**
Siroky

(10) **Patent No.:** **US D443,533 S**

(45) **Date of Patent:** **** Jun. 12, 2001**

(54) **WEATHER BAROMETER**

(76) Inventor: **Henry Siroky**, 127 Horizon Dr.,
Edison, NJ (US) 08817

(**) Term: **14 Years**

(21) Appl. No.: **29/130,750**

(22) Filed: **Oct. 6, 2000**

(51) **LOC (7) Cl.** **10-04**

(52) **U.S. Cl.** **D10/55**

(58) **Field of Search** D10/55; 73/384-387,
73/431

(56) **References Cited**

U.S. PATENT DOCUMENTS

D. 163,398 * 5/1951 Lippert D10/55

* cited by examiner

Primary Examiner—Antoine Duval Davis
(74) *Attorney, Agent, or Firm*—Goldstein Law Offices P.C.

(57) **CLAIM**

The ornamental design for a weather barometer, as shown and described.

DESCRIPTION

FIG. 1 is a perspective view of a weather barometer.

FIG. 2 is a front elevational view thereof.

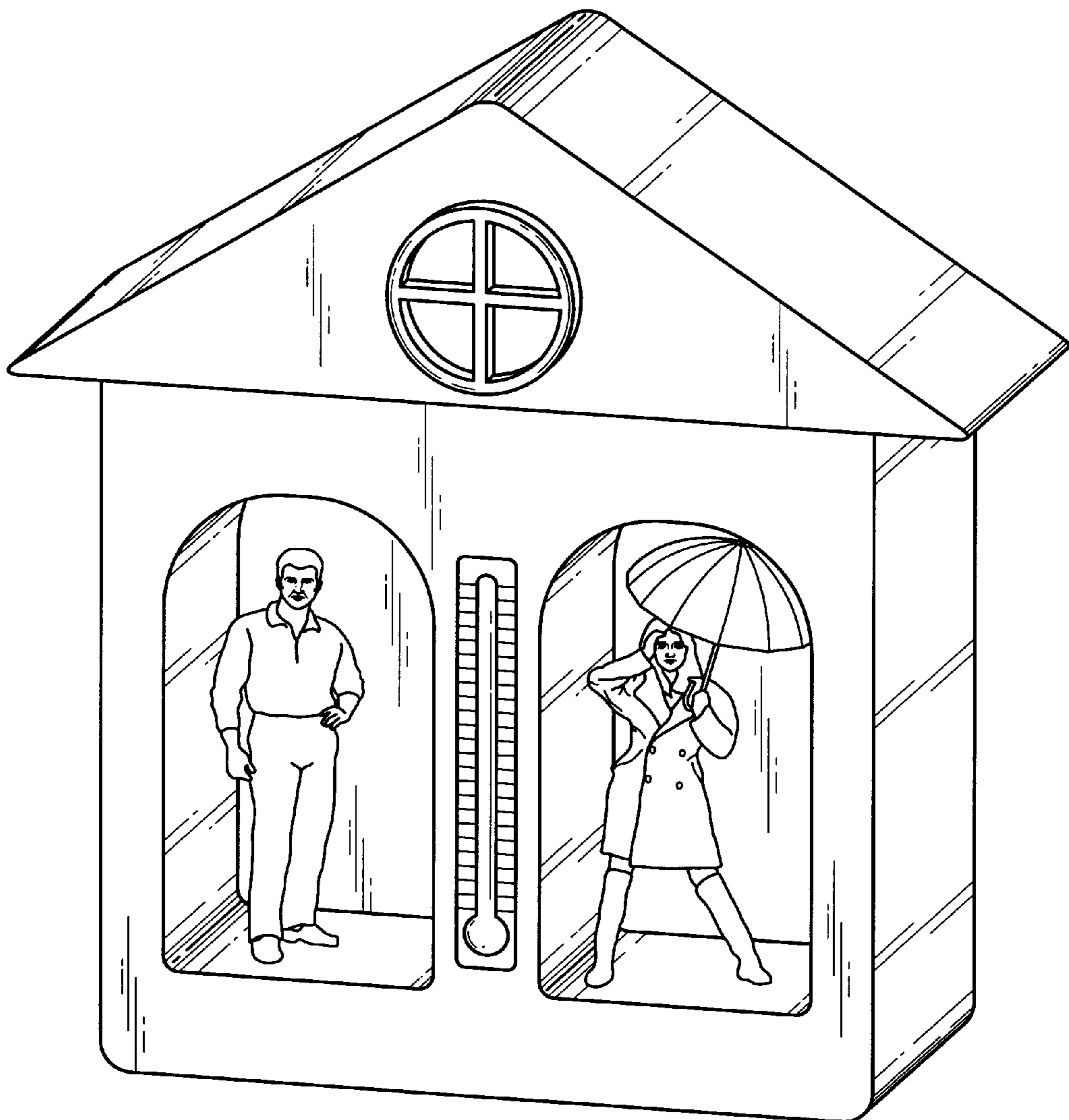
FIG. 3 is a rear elevational view thereof.

FIG. 4 is a left side elevational view thereof, the right side elevational view being a mirror image of the left side view.

FIG. 5 is a top plan view of the weather barometer; and,

FIG. 6 is a bottom plan view thereof.

1 Claim, 3 Drawing Sheets



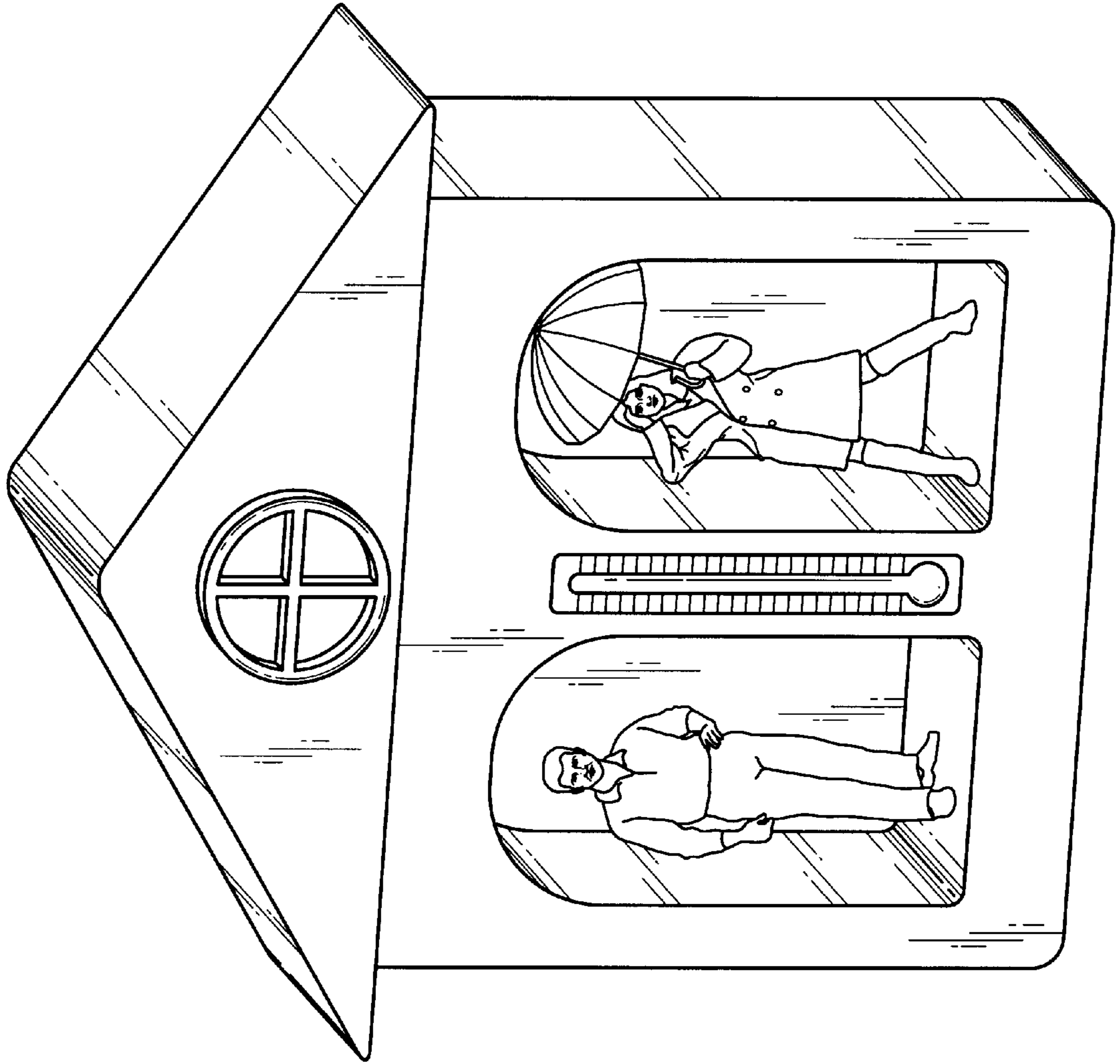


Fig. 1

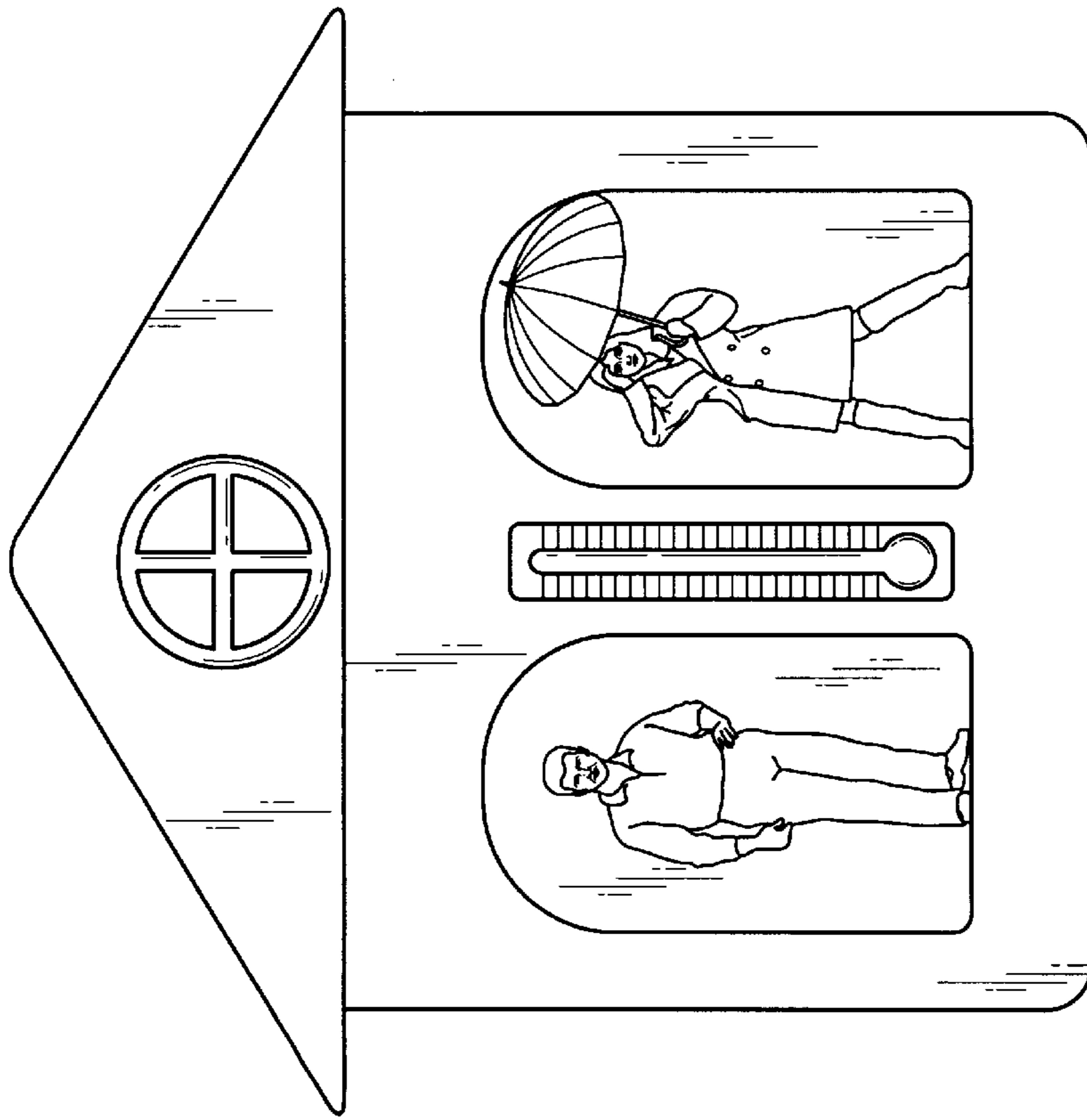
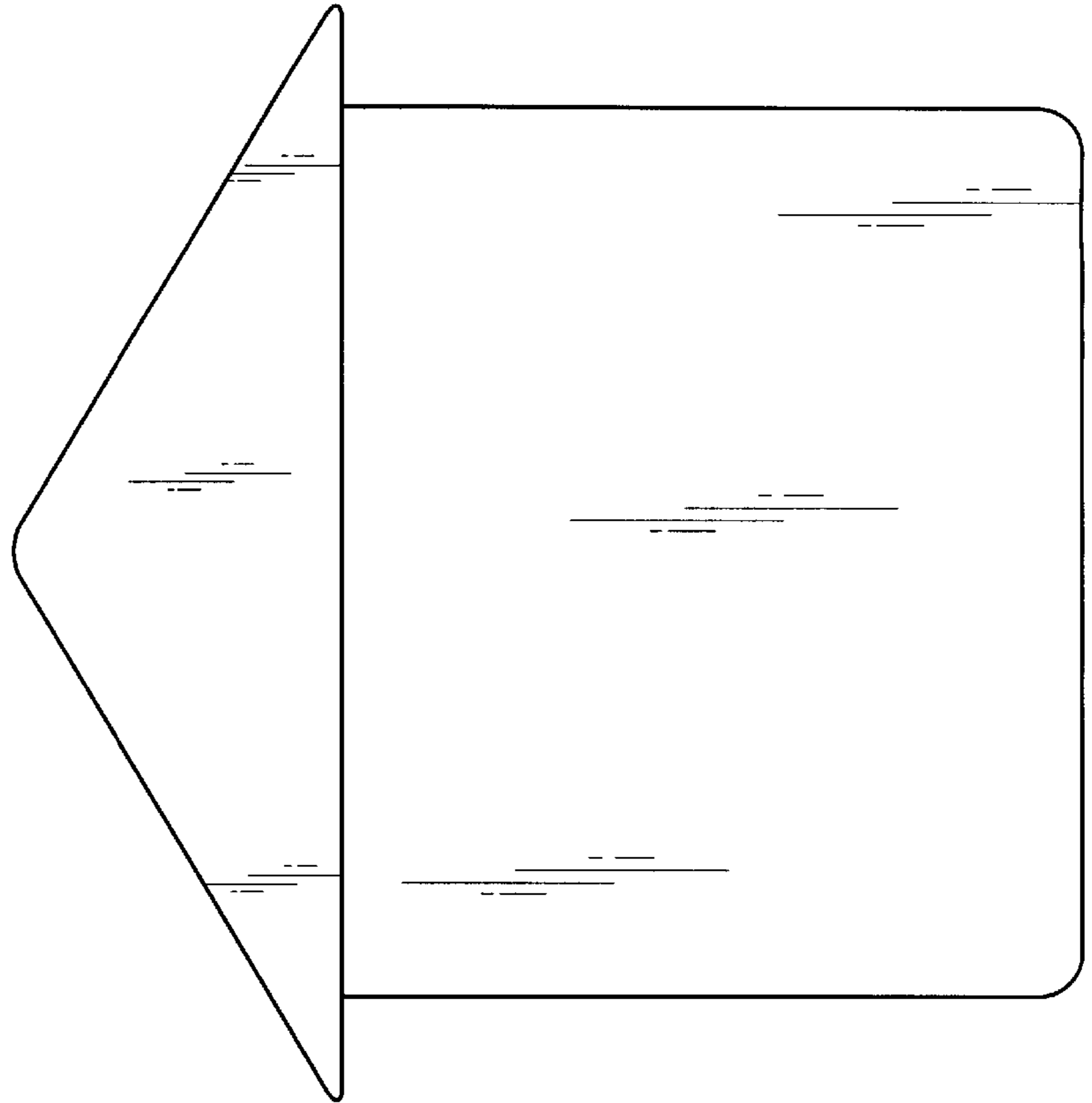


Fig. 2

Fig. 3



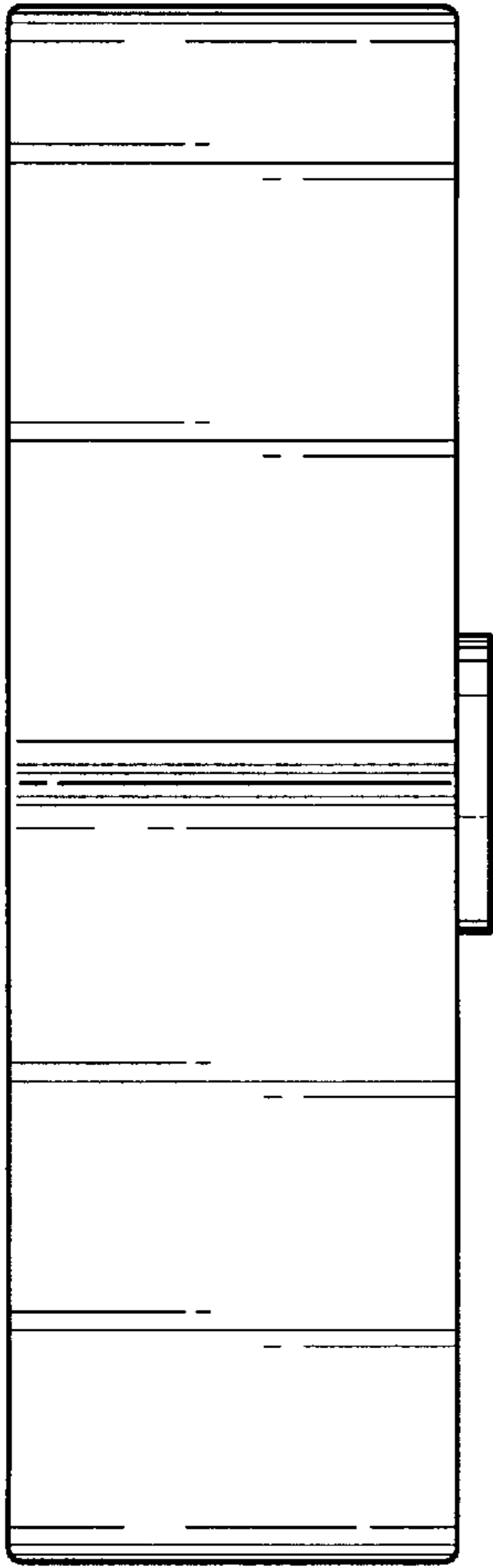


Fig. 5

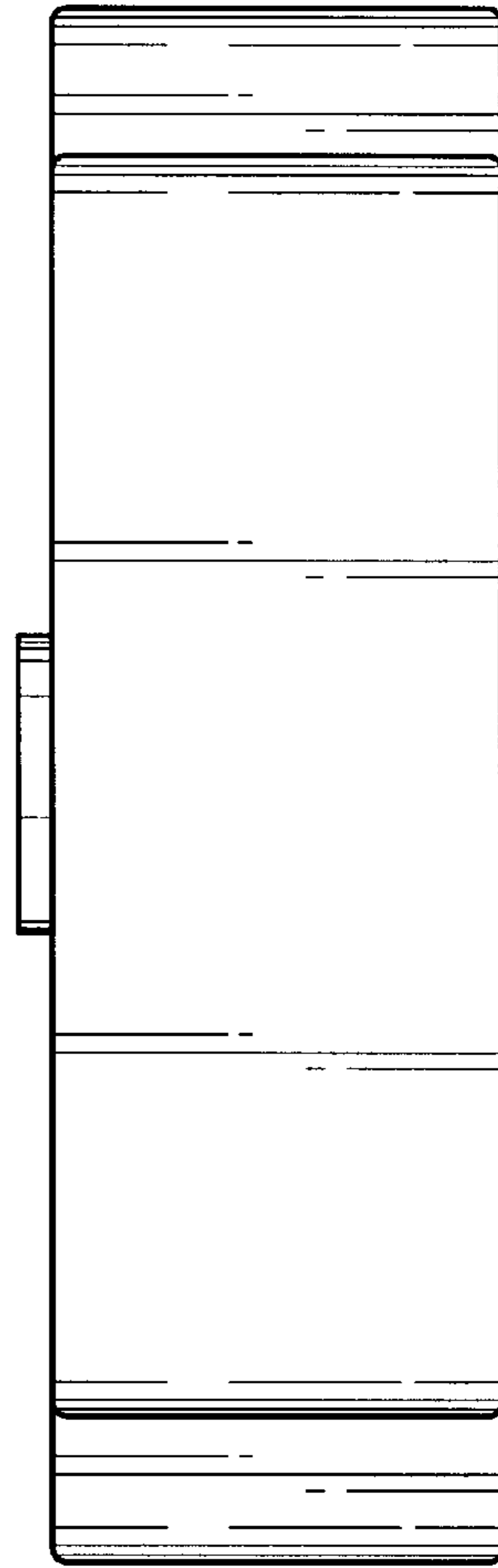


Fig. 6

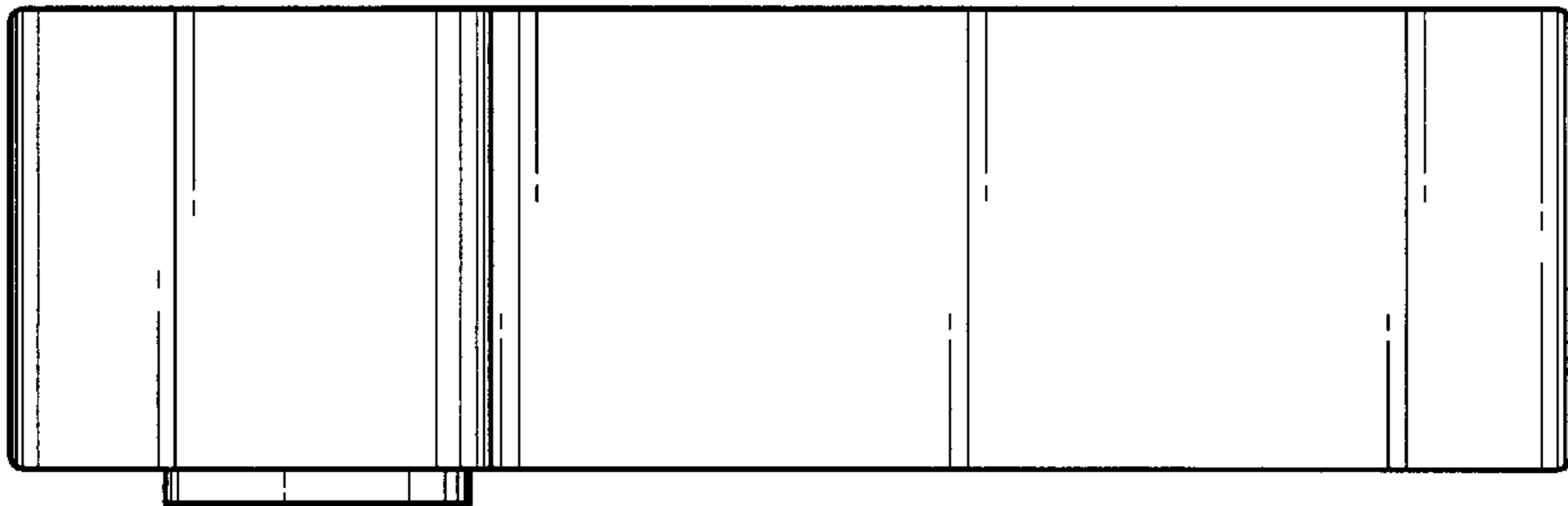


Fig. 4