



US00D443530S

(12) **United States Design Patent**  
**Mann**

(10) **Patent No.:** **US D443,530 S**

(45) **Date of Patent:** **\*\* Jun. 12, 2001**

(54) **YO-YO WATCH**

(76) Inventor: **Leslie G. Mann**, 154 Meadowbrook  
La., Davidson, NC (US) 28036

(\*\*) Term: **14 Years**

(21) Appl. No.: **29/112,877**

(22) Filed: **Oct. 26, 1999**

(51) **LOC (7) Cl.** ..... **10-02**

(52) **U.S. Cl.** ..... **D10/31**

(58) **Field of Search** ..... D21/460-464;  
D10/1-40, 122-132; 446/261; 368/280-282,  
276-277, 28-30, 285, 239-242, 82-84,  
41-44, 10

(56) **References Cited**

**U.S. PATENT DOCUMENTS**

- D. 232,956 \* 9/1974 Chelman ..... D21/464
- D. 331,883 \* 12/1992 Horton ..... D10/32
- D. 334,145 \* 3/1993 Zerilli ..... D10/32

- D. 412,349 \* 7/1999 O'Sullivan ..... D21/464
- 4,553,235 \* 11/1985 Svensson ..... 370/421

\* cited by examiner

*Primary Examiner*—Nelson C. Holtje  
(74) *Attorney, Agent, or Firm*—Kennedy Covington  
Lobdell & Hickman, L.L.P.

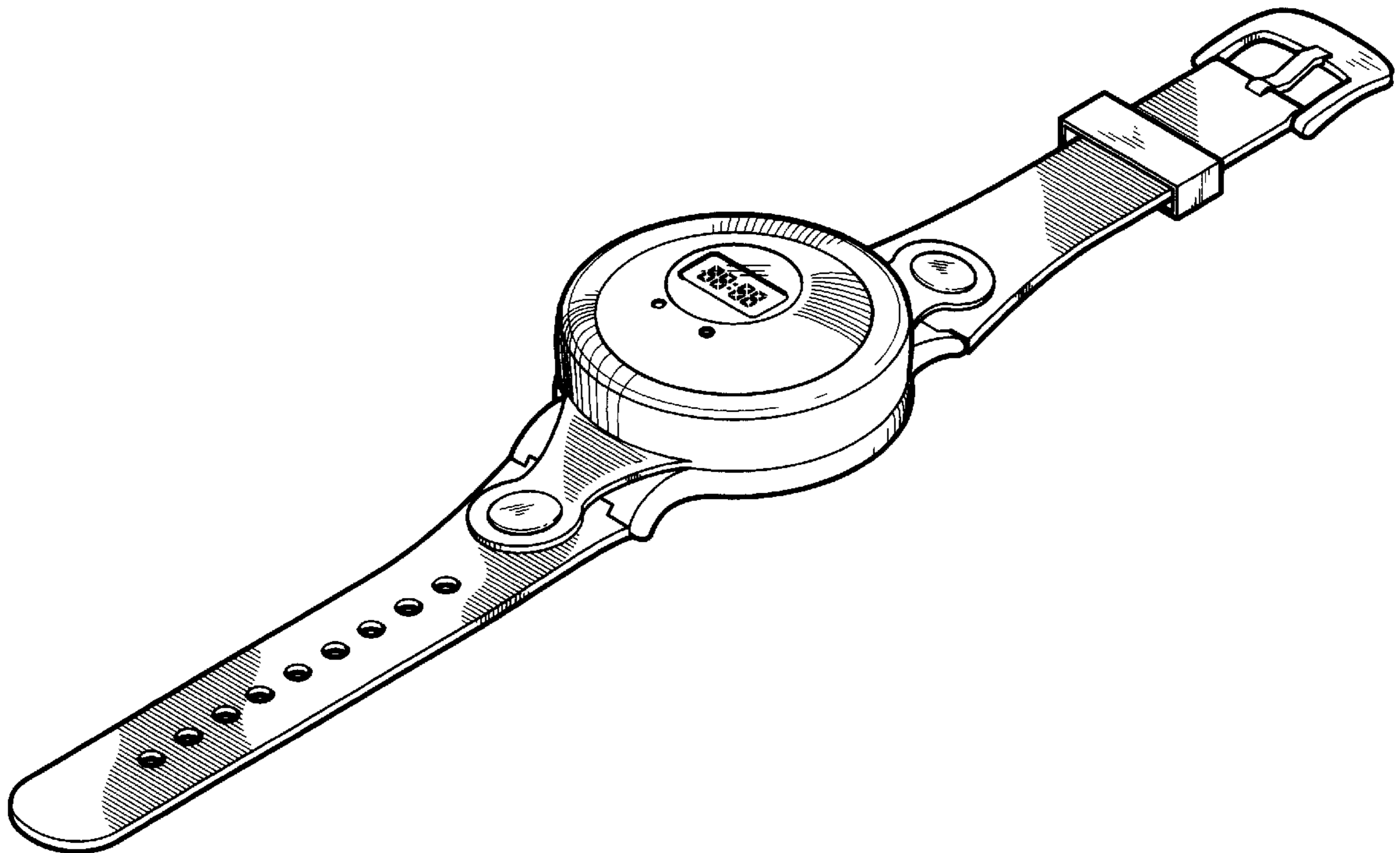
(57) **CLAIM**

The ornamental design for yo-yo watch, as shown and described.

**DESCRIPTION**

FIG. 1 is a top-right perspective view of a yo-yo watch showing my new design;  
FIG. 2 is a left side elevational view thereof;  
FIG. 3 is a top plan view thereof;  
FIG. 4 is a rear elevational view thereof; and,  
FIG. 5 is an exploded top-right perspective view thereof.

**1 Claim, 5 Drawing Sheets**



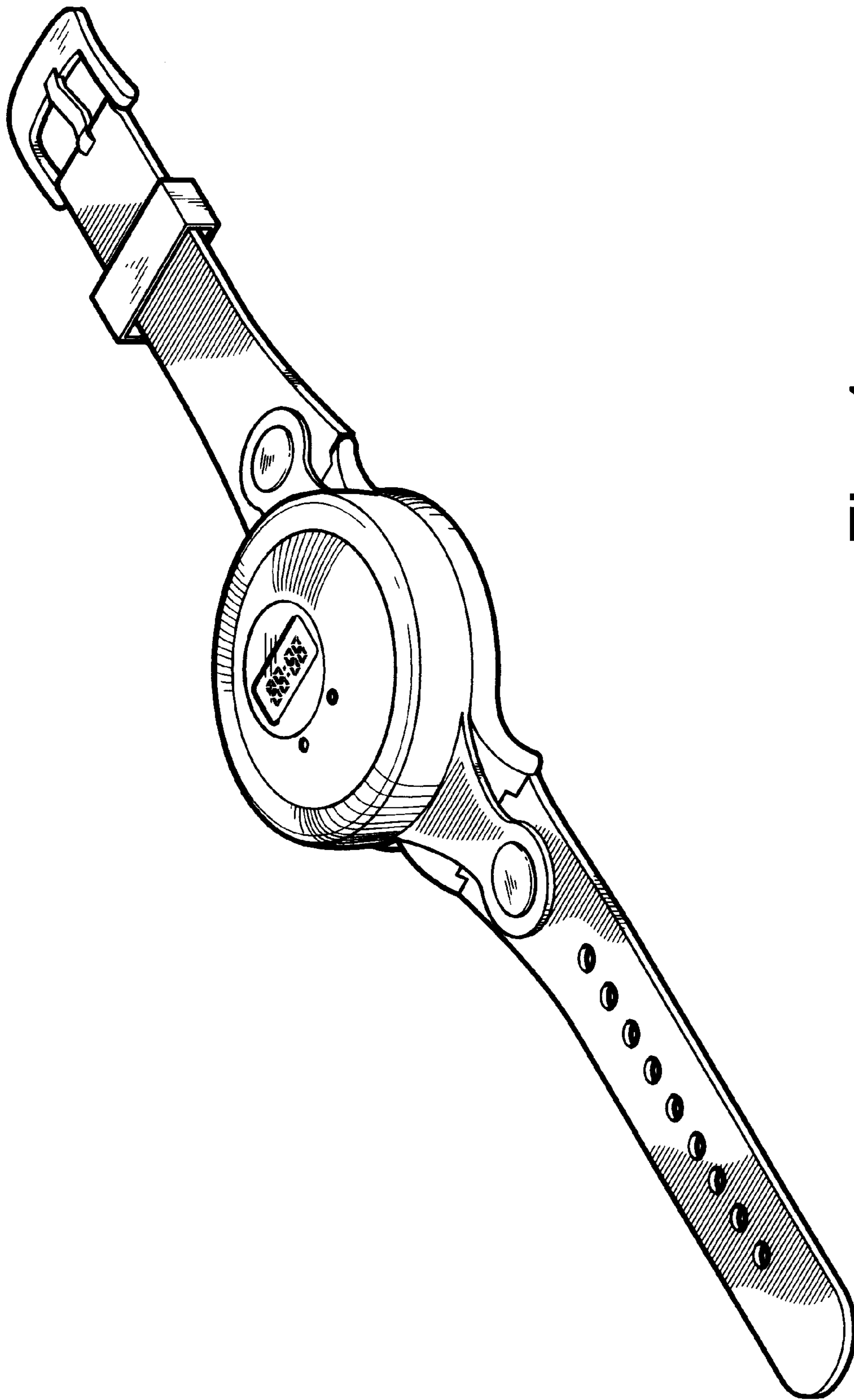


Fig. 1

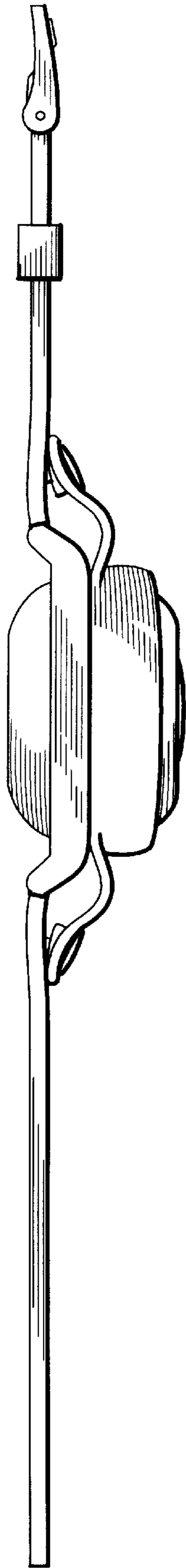


Fig. 2

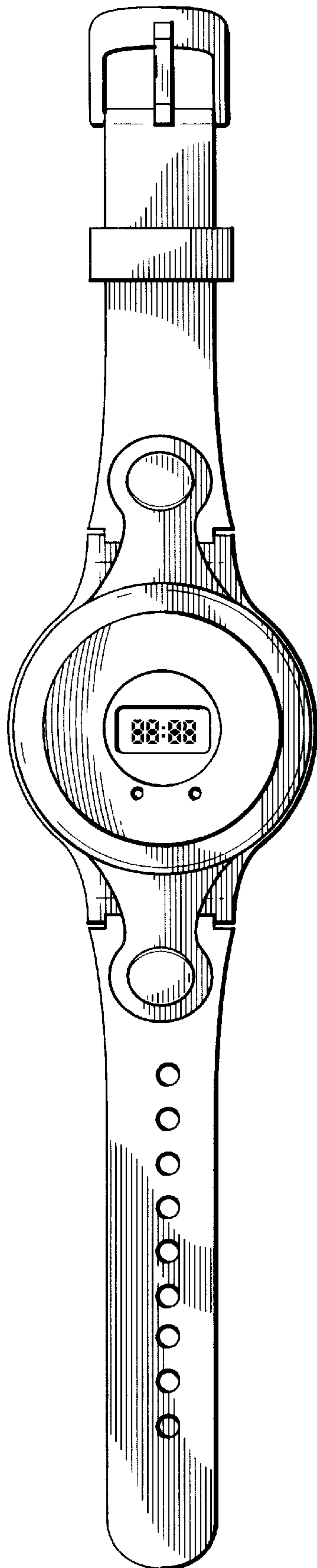


Fig. 3

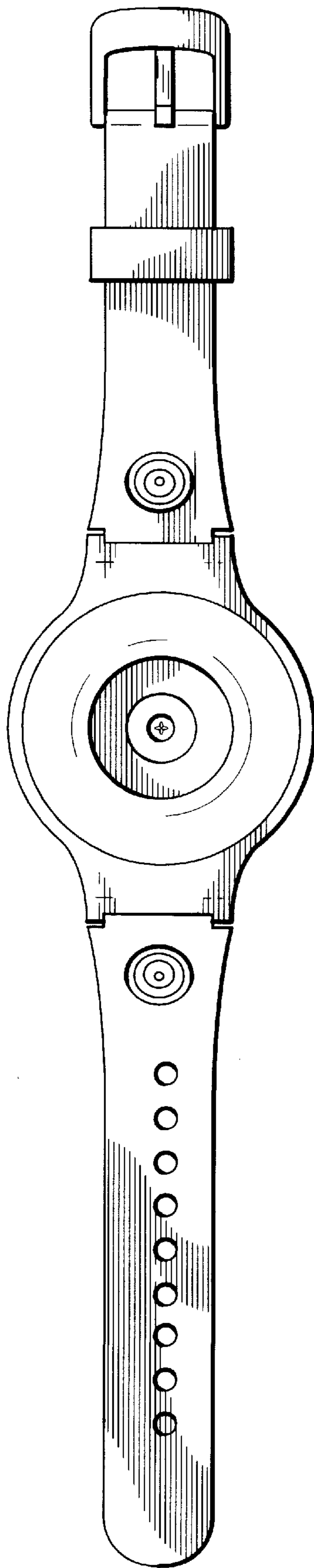


Fig. 4

Fig. 5

