



US00D443525S

(12) **United States Design Patent**  
**Coudray et al.**

(10) **Patent No.:** **US D443,525 S**

(45) **Date of Patent:** **\*\* Jun. 12, 2001**

(54) **CLOCK**

(75) Inventors: **Eric Coudray**, Foncine-le-Haut;  
**Philippe Vandel**, Bois d'Amont, both  
of (FR)

(73) Assignee: **Manufacture Jaeger-Le Coultre SA**,  
Le Sentier (CH)

(\*\*) Term: **14 Years**

(21) Appl. No.: **29/107,740**

(22) Filed: **Jul. 9, 1999**

(30) **Foreign Application Priority Data**

Feb. 9, 1999 (XH) ..... DMA/004 358

(51) **LOC (7) Cl.** ..... **10-01**

(52) **U.S. Cl.** ..... **D10/23**

(58) **Field of Search** ..... D10/1-40, 122-132;  
368/276-277, 285, 316-317

(56) **References Cited**

**U.S. PATENT DOCUMENTS**

- D. 10,689 \* 5/1878 Davies .
- D. 39,942 \* 4/1909 Giroud ..... D10/1

- D. 176,184 \* 11/1955 Hancock ..... D10/24
- D. 208,927 \* 10/1967 Thomas .
- D. 315,685 \* 3/1991 Kato ..... D10/28

**OTHER PUBLICATIONS**

Jeweler's Circular-Keystone-Nov. 1982-p. 12.-Clocks  
thereon.\*

\* cited by examiner

*Primary Examiner*—Nelson C. Holtje

(74) *Attorney, Agent, or Firm*—Sughrue, Mion, Zinn,  
Macpeak & Seas, PLLC

(57) **CLAIM**

The ornamental design for a clock, as shown.

**DESCRIPTION**

FIG. 1 is a perspective view of the front and right side of a clock showing our new design;  
 FIG. 2 is a front elevational view thereof;  
 FIG. 3 is a rear elevational view thereof;  
 FIG. 4 is a right side elevational view thereof;  
 FIG. 5 is a left side elevational view thereof;  
 FIG. 6 is a bottom plan view thereof; and,  
 FIG. 7 is a top plan view thereof.

**1 Claim, 4 Drawing Sheets**

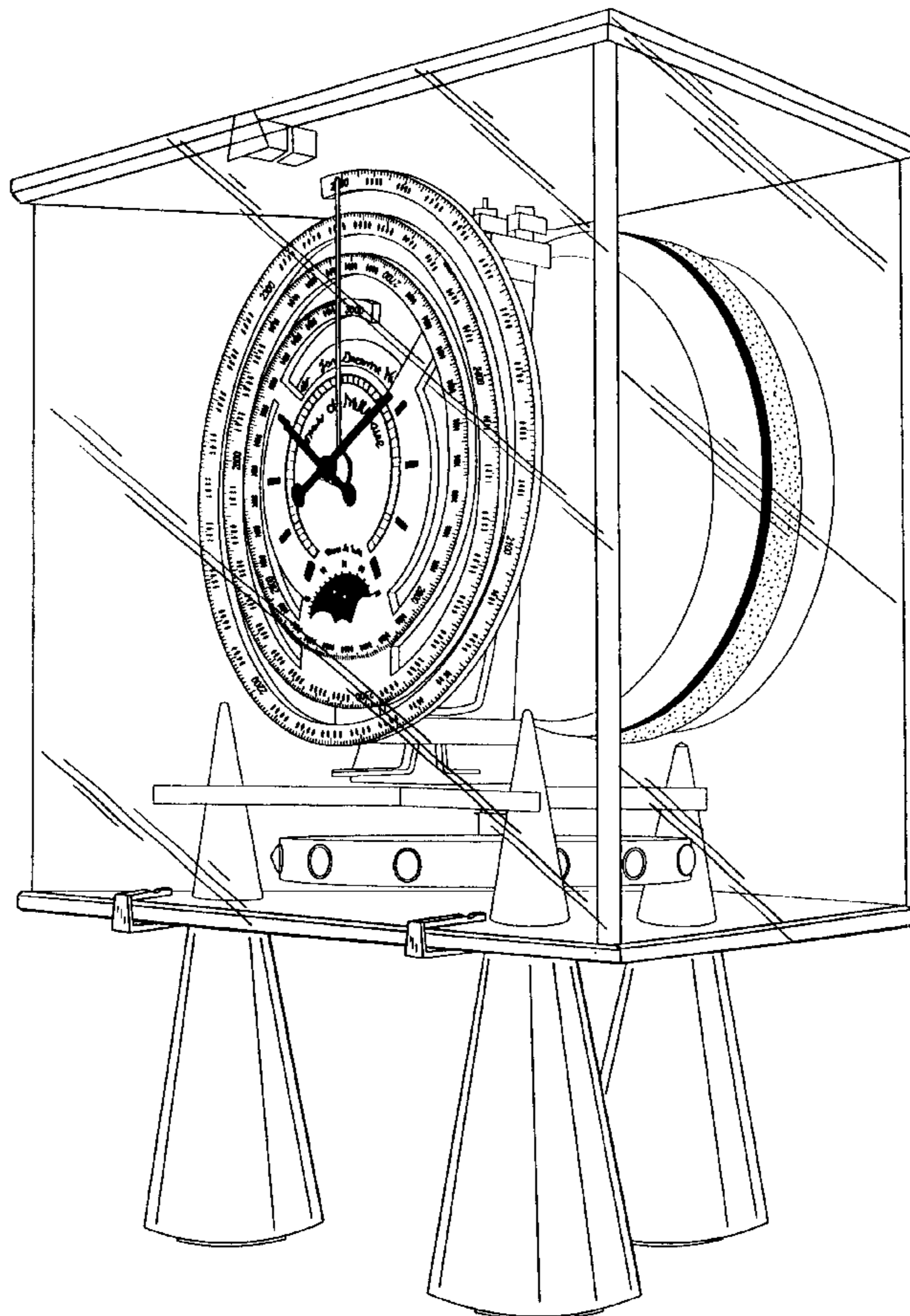


FIG. 1

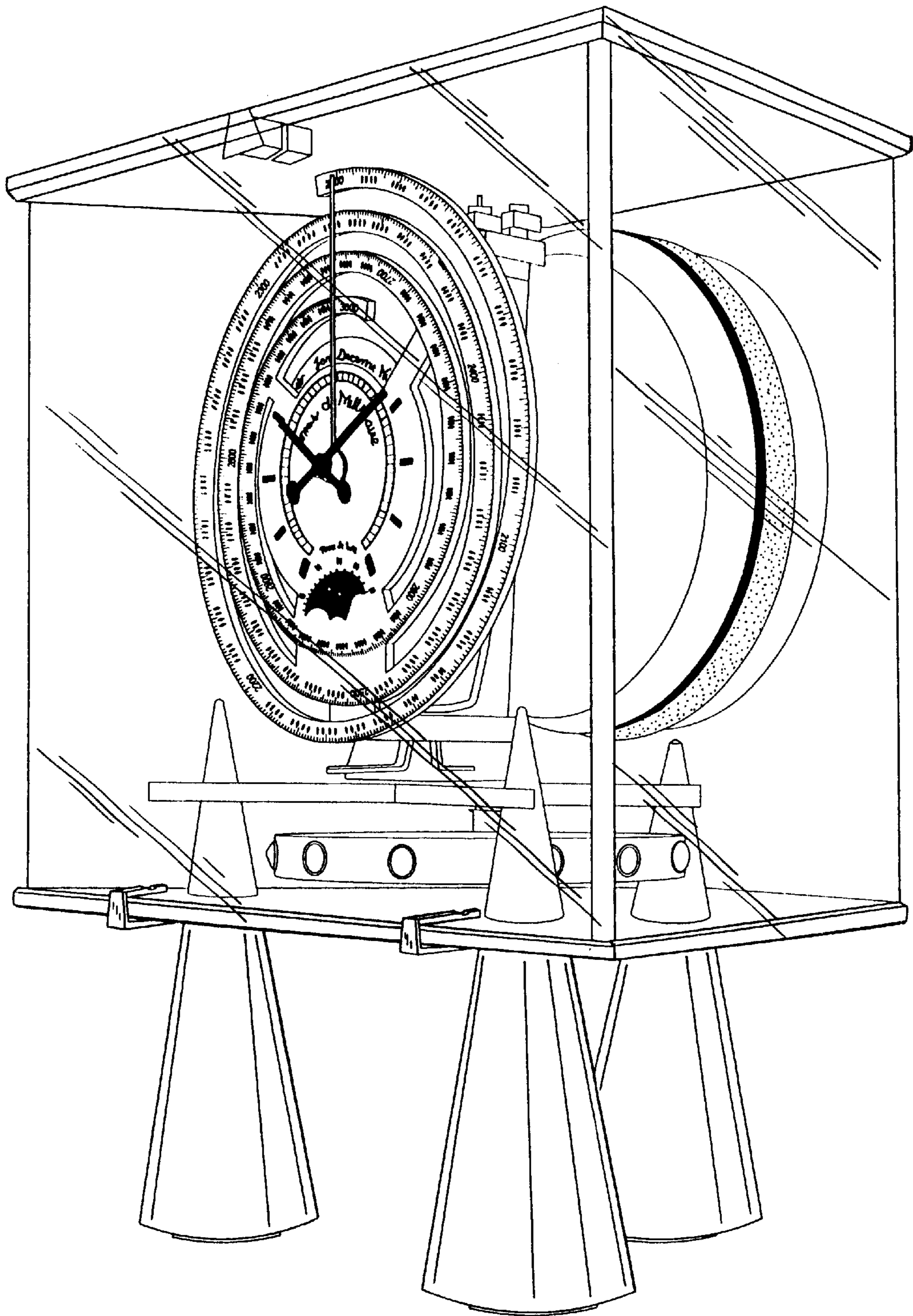


FIG. 3

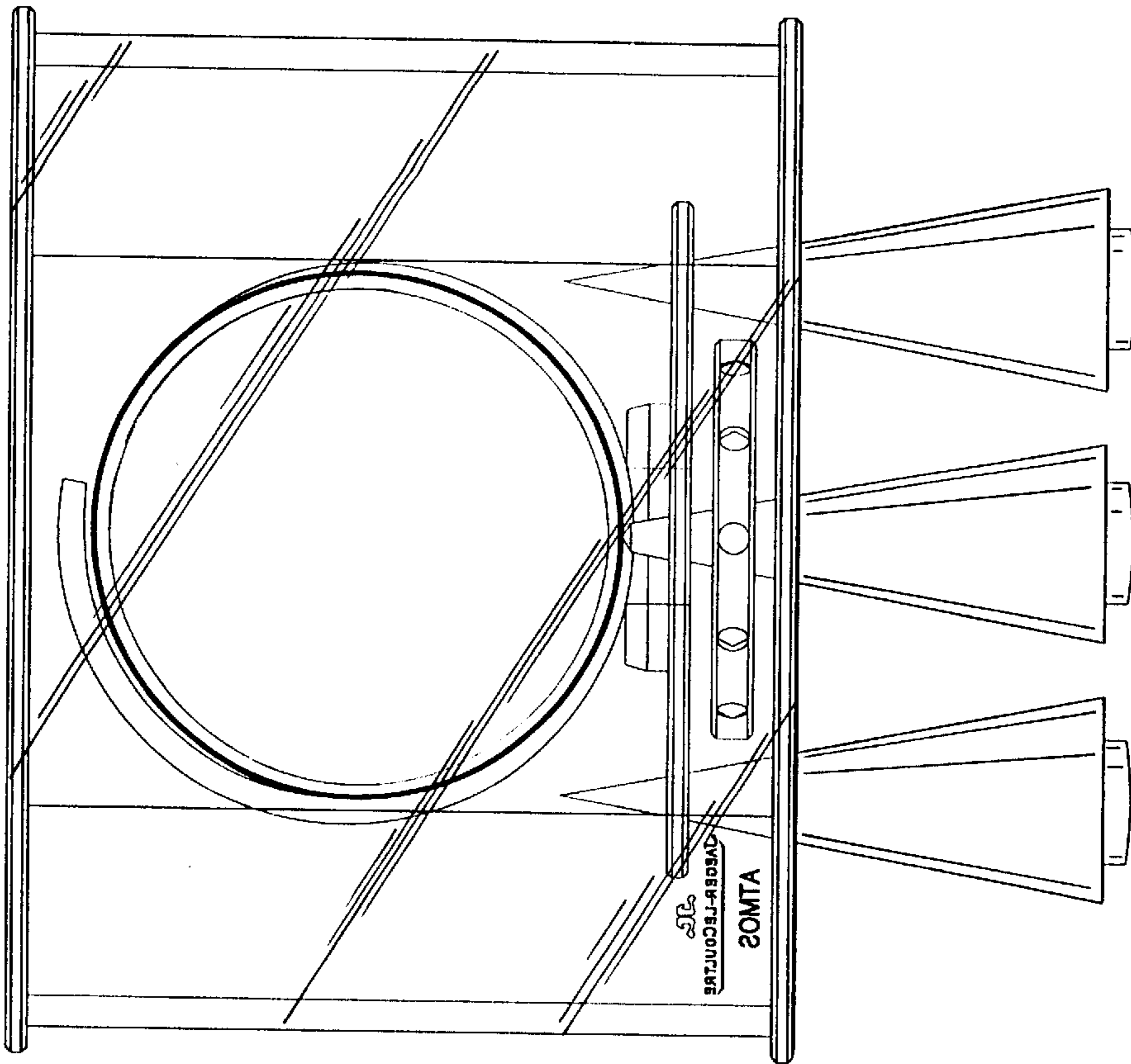


FIG. 2

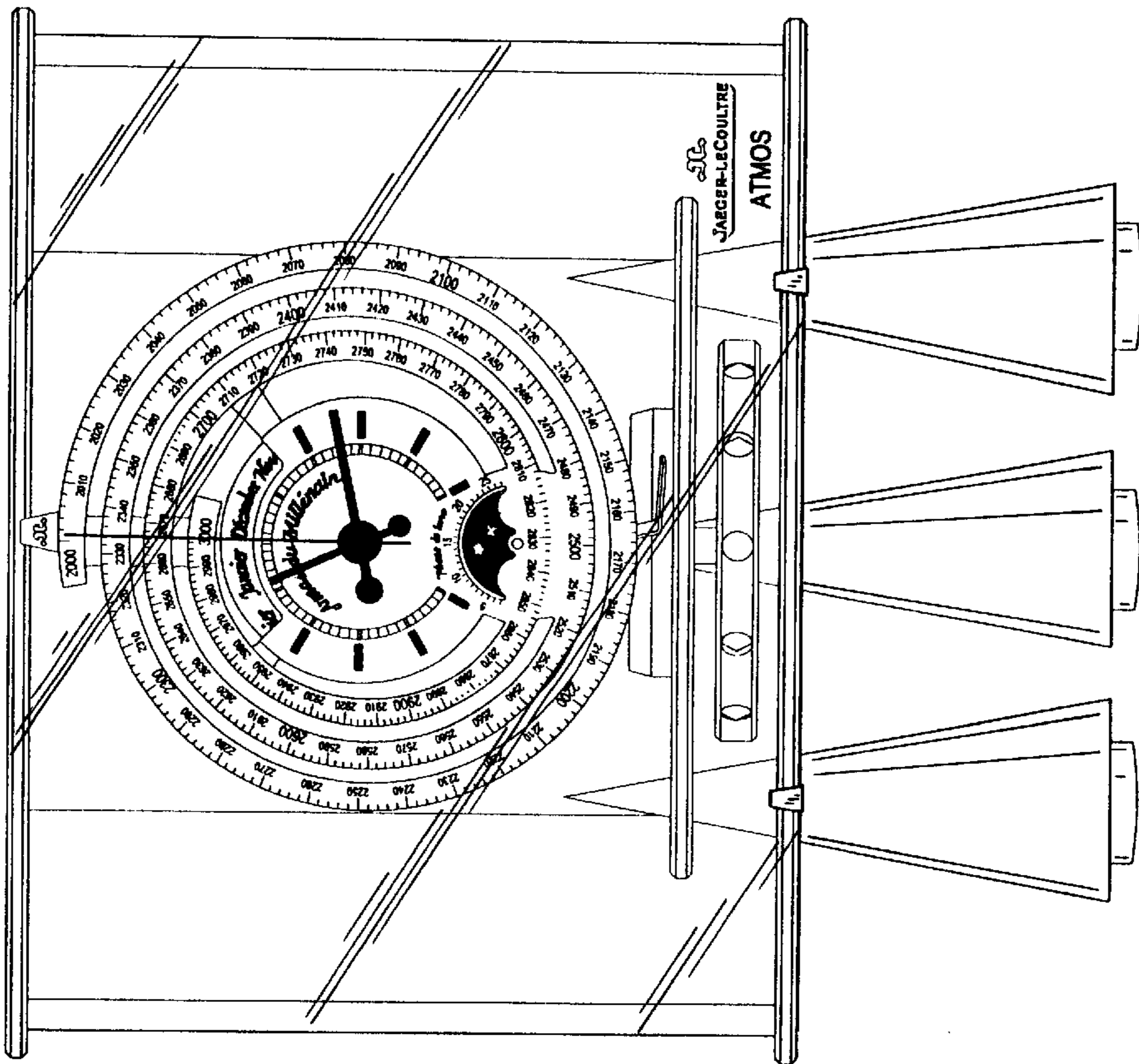


FIG. 5

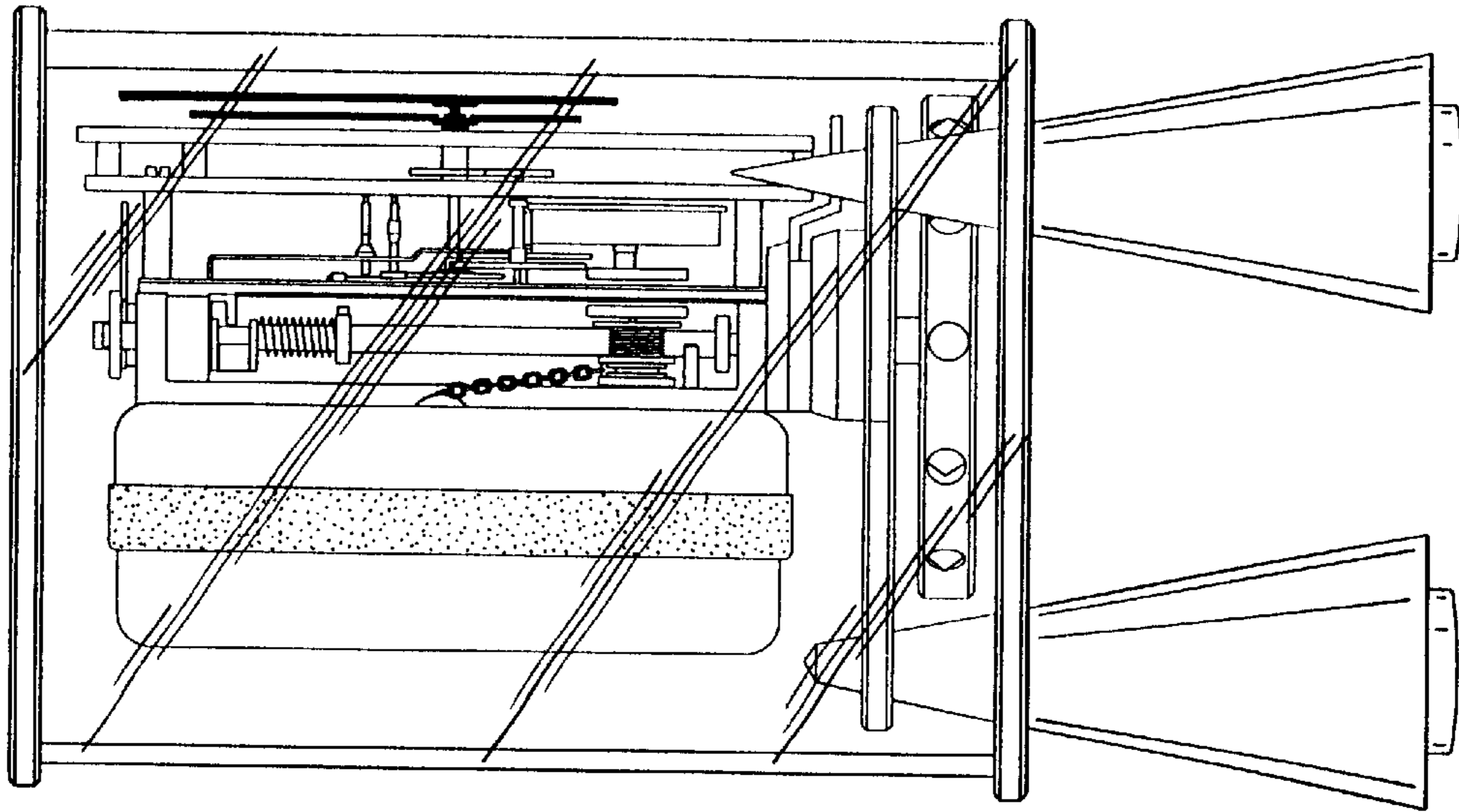


FIG. 4

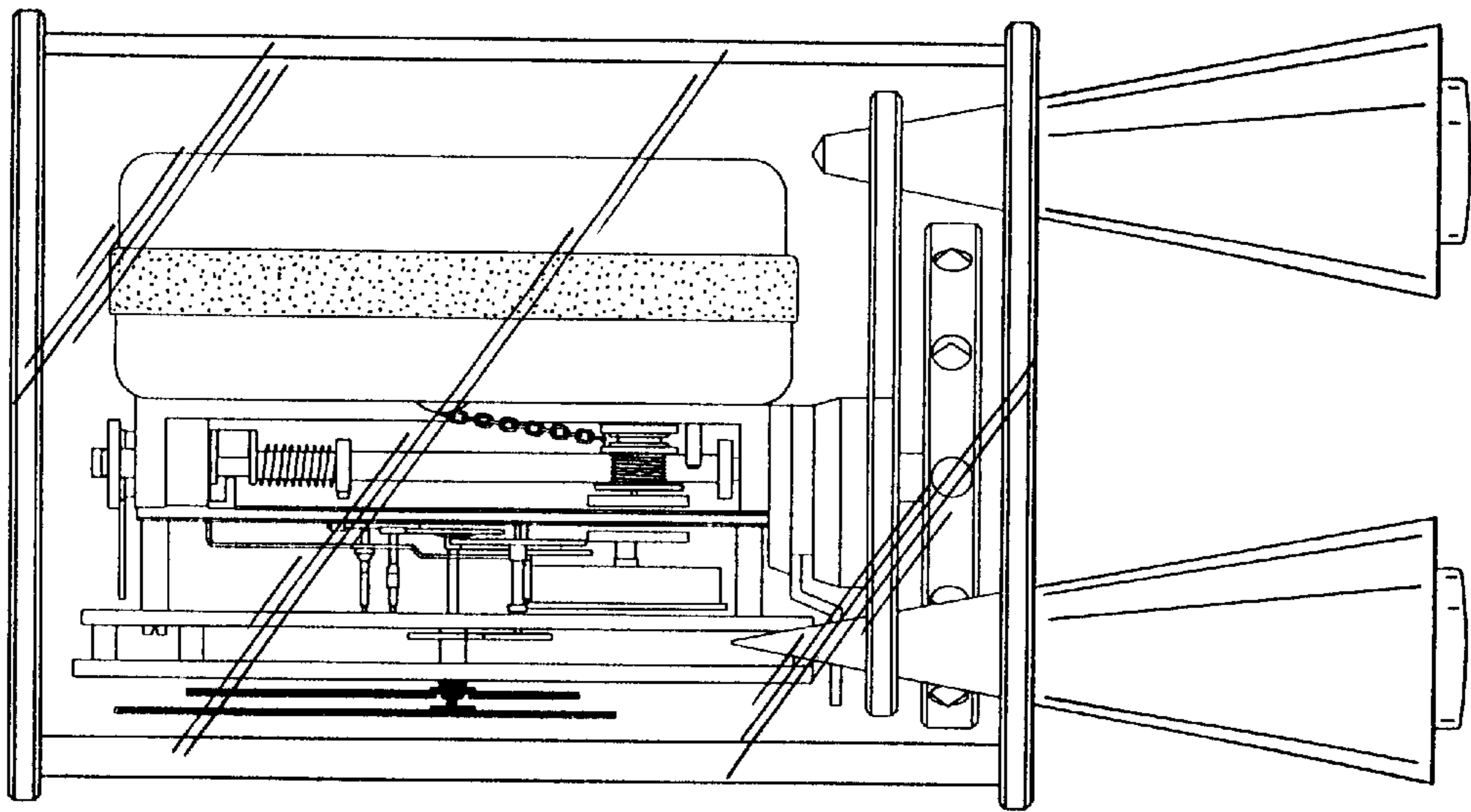


FIG. 6

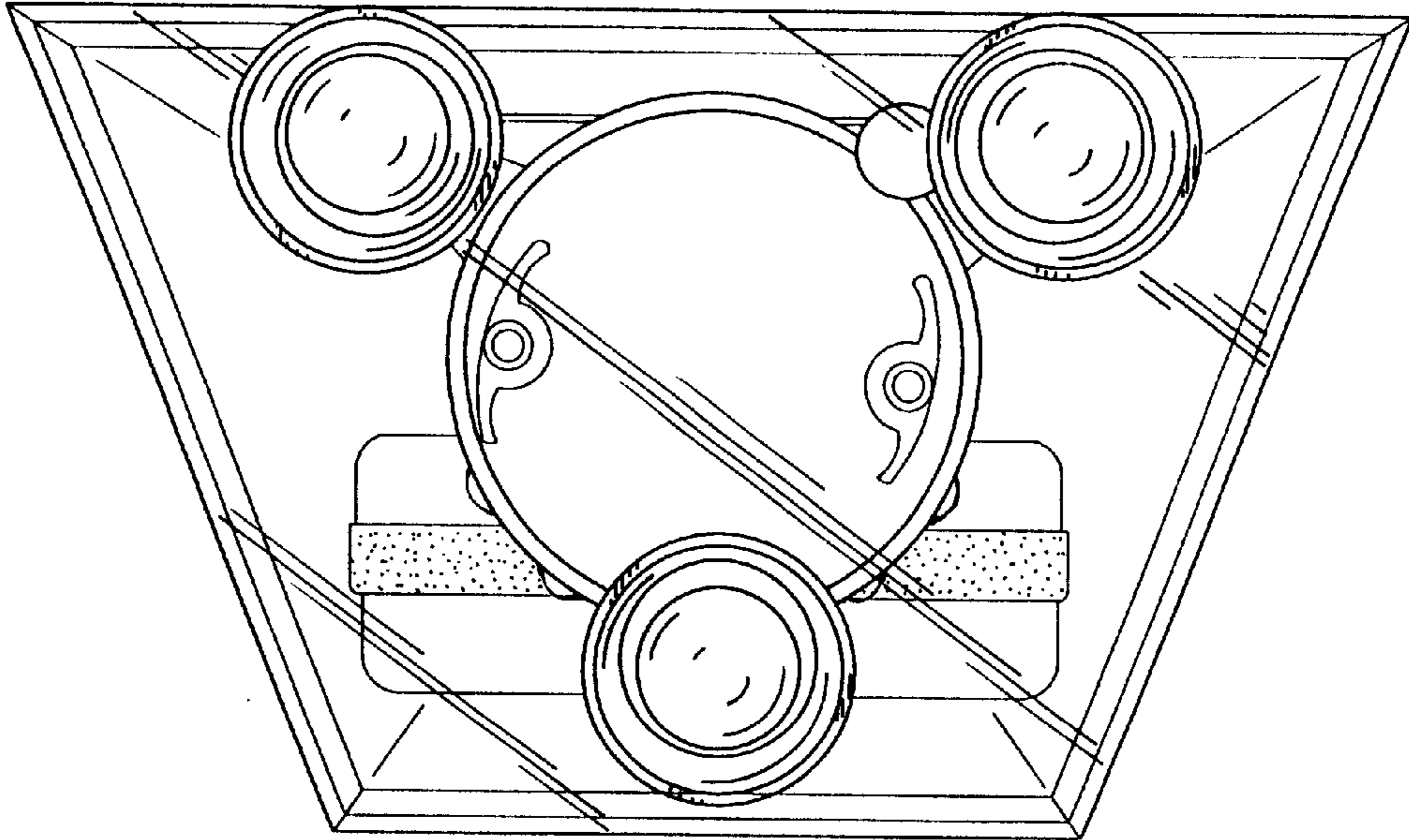


FIG. 7

