



US00D443513S

(12) **United States Design Patent**
Goettner

(10) **Patent No.:** **US D443,513 S**

(45) **Date of Patent:** **** Jun. 12, 2001**

(54) **PLASTIC CLOSURE**

(75) **Inventor:** **Michael K. Goettner**, Sylvania, OH (US)

(73) **Assignee:** **Owens-Illinois Closure Inc.**, Toledo, OH (US)

(**) **Term:** **14 Years**

(21) **Appl. No.:** **29/122,068**

(22) **Filed:** **Apr. 19, 2000**

(51) **LOC (7) Cl.** **09-07**

(52) **U.S. Cl.** **D9/452**

(58) **Field of Search** D9/435, 443, 452, D9/453, 454; 215/329, 230; 220/288, 376

D. 304,303	10/1989	Hurst et al. .	
D. 327,849	7/1992	Armstrong .	
D. 333,065	2/1993	Murphy .	
D. 347,791	6/1994	Lathrop et al. .	
D. 351,795	10/1994	Ogden .	
D. 379,307	5/1997	Marriage .	
D. 395,008	6/1998	Kuzma et al. .	
D. 415,684	10/1999	Reidenbach .	
D. 418,756	1/2000	Reidenbach .	
D. 418,757	1/2000	Reidenbach .	
3,254,785	6/1966	Lovell .	
3,281,001	10/1966	Stuart .	
3,653,529	4/1972	Segmuller .	
4,257,526	3/1981	Weits et al. .	
4,333,578	6/1982	Di Nunzio .	
4,727,998 *	3/1988	Simon	215/230
6,126,026 *	10/2000	Ekkert	215/329

* cited by examiner

Primary Examiner—Cathron Brooks

(56) **References Cited**

U.S. PATENT DOCUMENTS

H803	8/1990	Sherrington .	
D. 33,364	10/1900	Lindemeyr .	
D. 51,893	3/1918	Temple et al. .	
D. 95,904	6/1935	Fuerst .	
D. 99,097	1/1936	Perry .	
D. 102,368	10/1936	Higgins .	
D. 109,518	1/1938	Meier .	
D. 154,204	6/1949	Jung .	
D. 158,486	5/1950	Margulies .	
D. 232,417	8/1974	Macko .	
D. 247,351	2/1978	Barthropp .	
D. 255,430 *	6/1980	Strand	D9/439
D. 272,324	1/1984	Mumford et al. .	

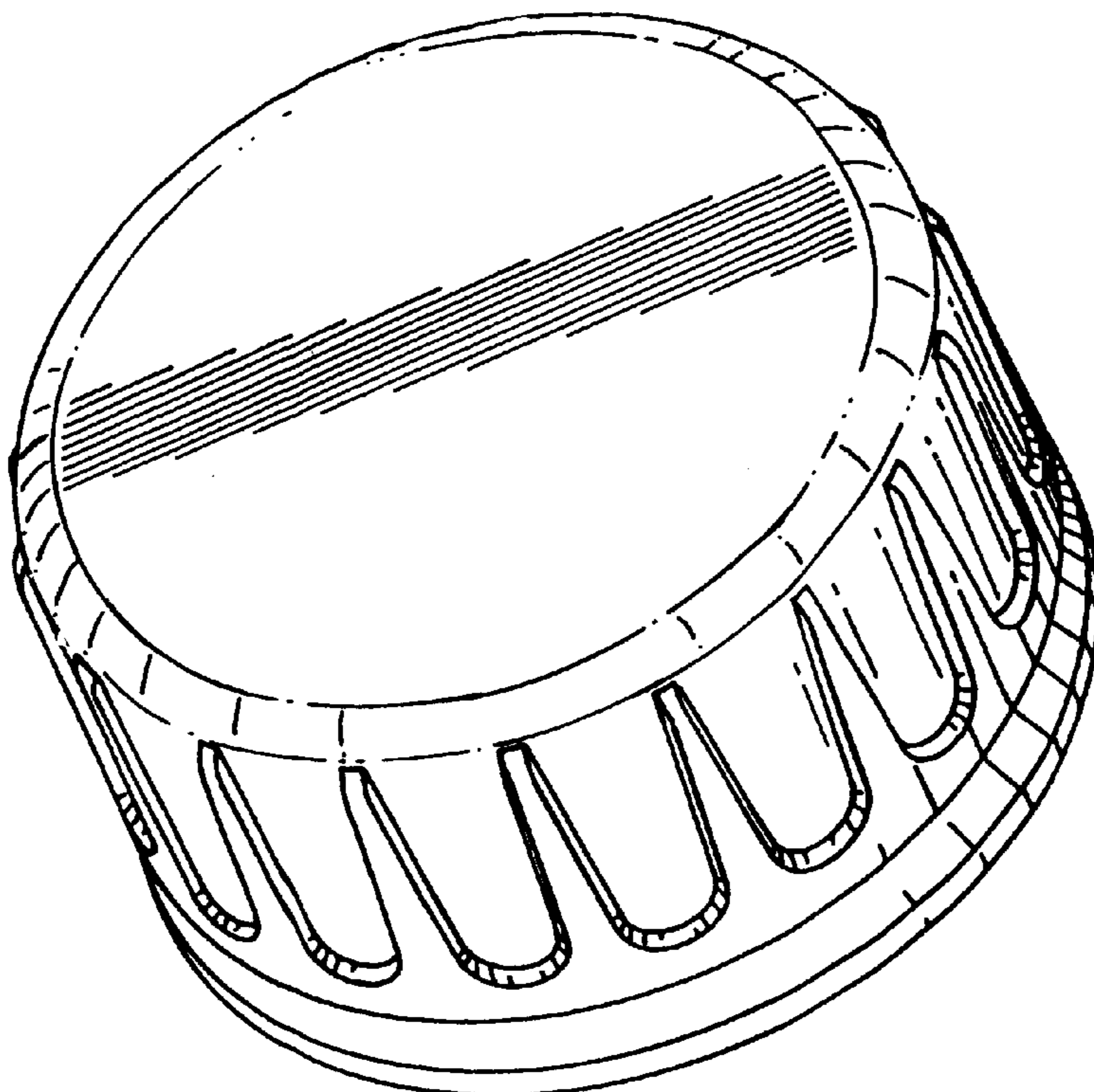
(57) **CLAIM**

The ornamental design for a plastic closure, as shown and described.

DESCRIPTION

FIG. 1 is a top perspective view of the plastic closure; FIG. 2 is a side elevational view of the plastic closure, the opposing side elevational view and the two end elevational views being identical thereto; and, FIG. 3 is a top plan view of the plastic closure, the bottom view forms no part of the claimed design.

1 Claim, 1 Drawing Sheet



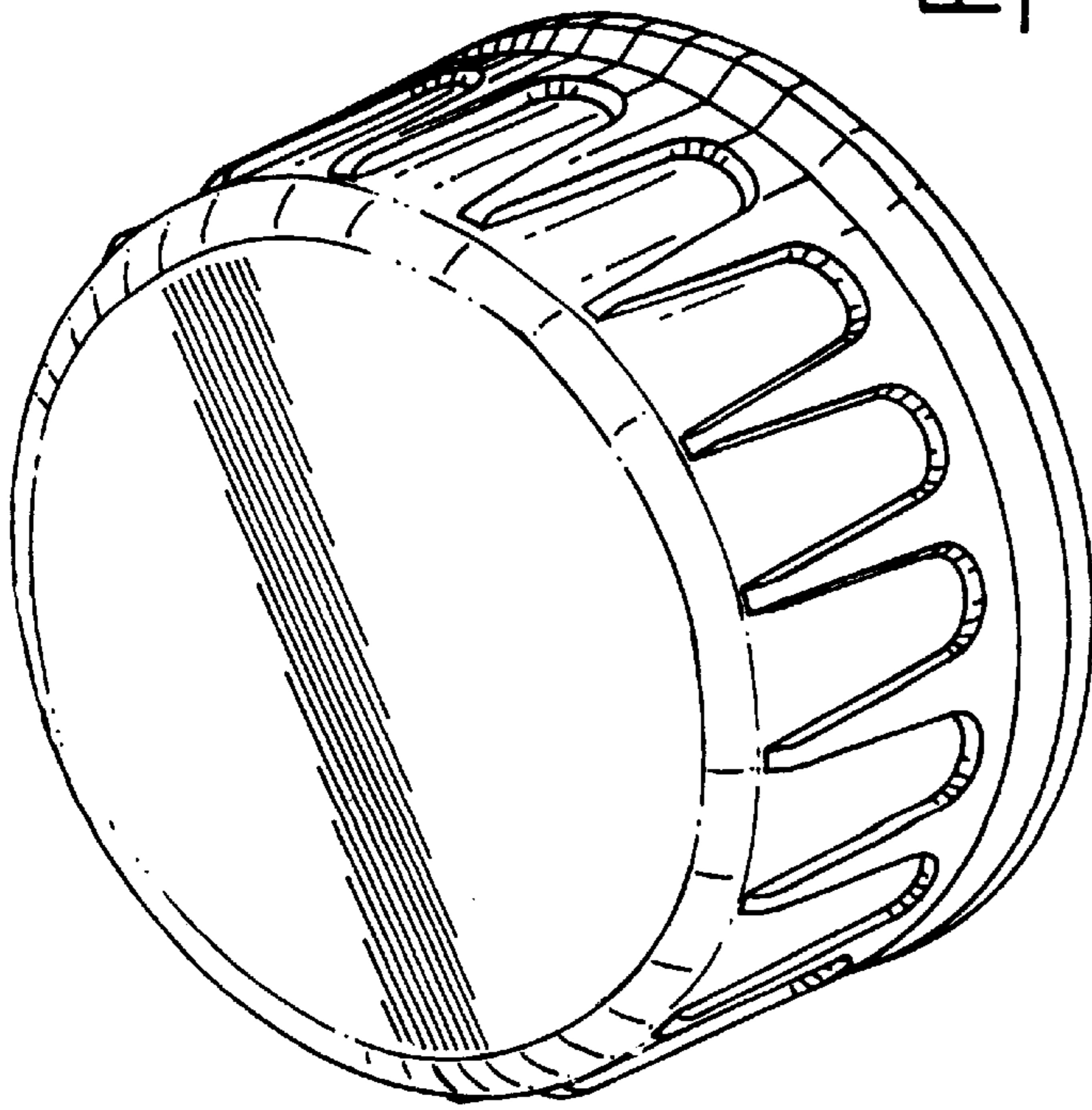


FIG. 1

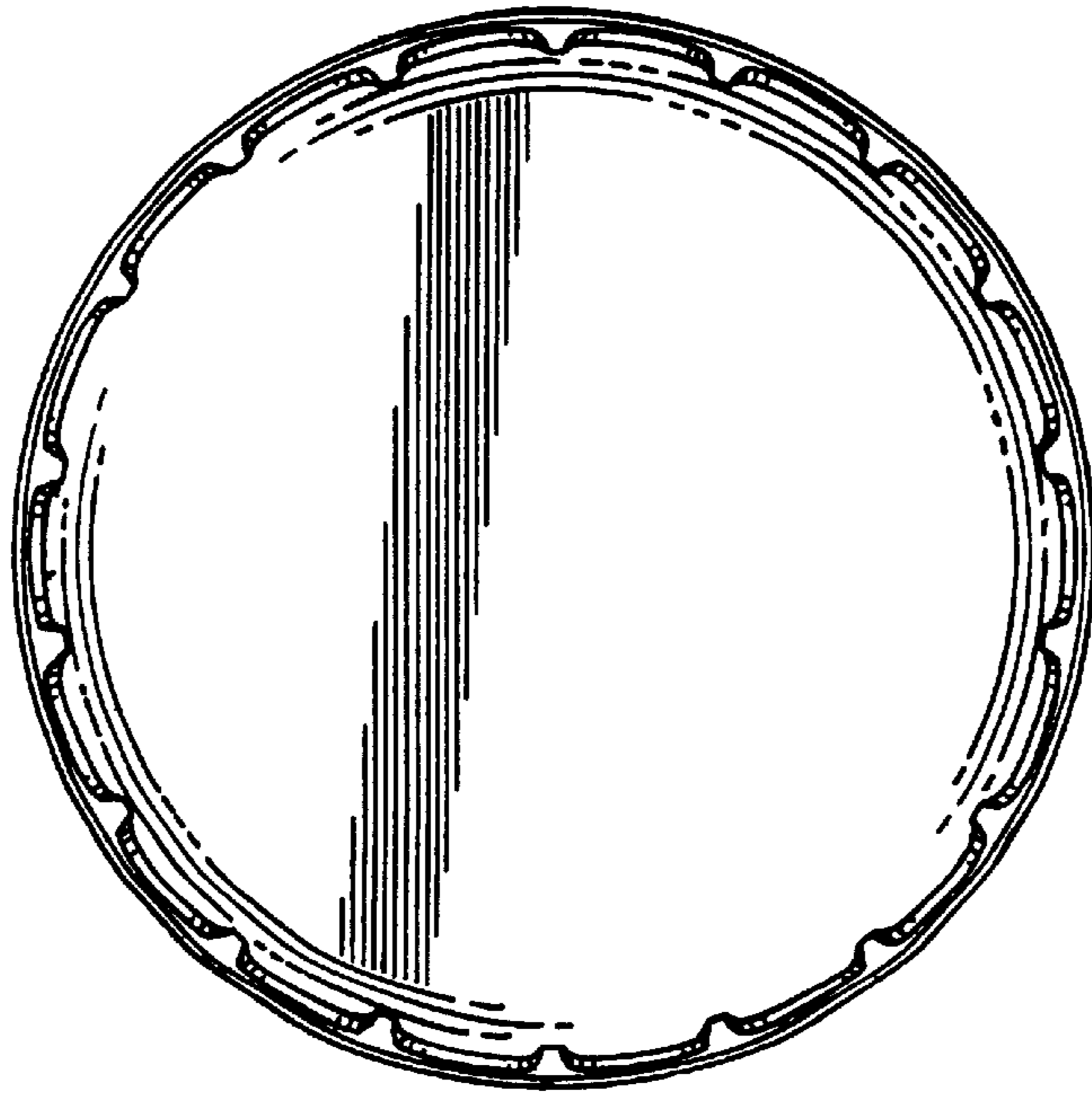


FIG. 3

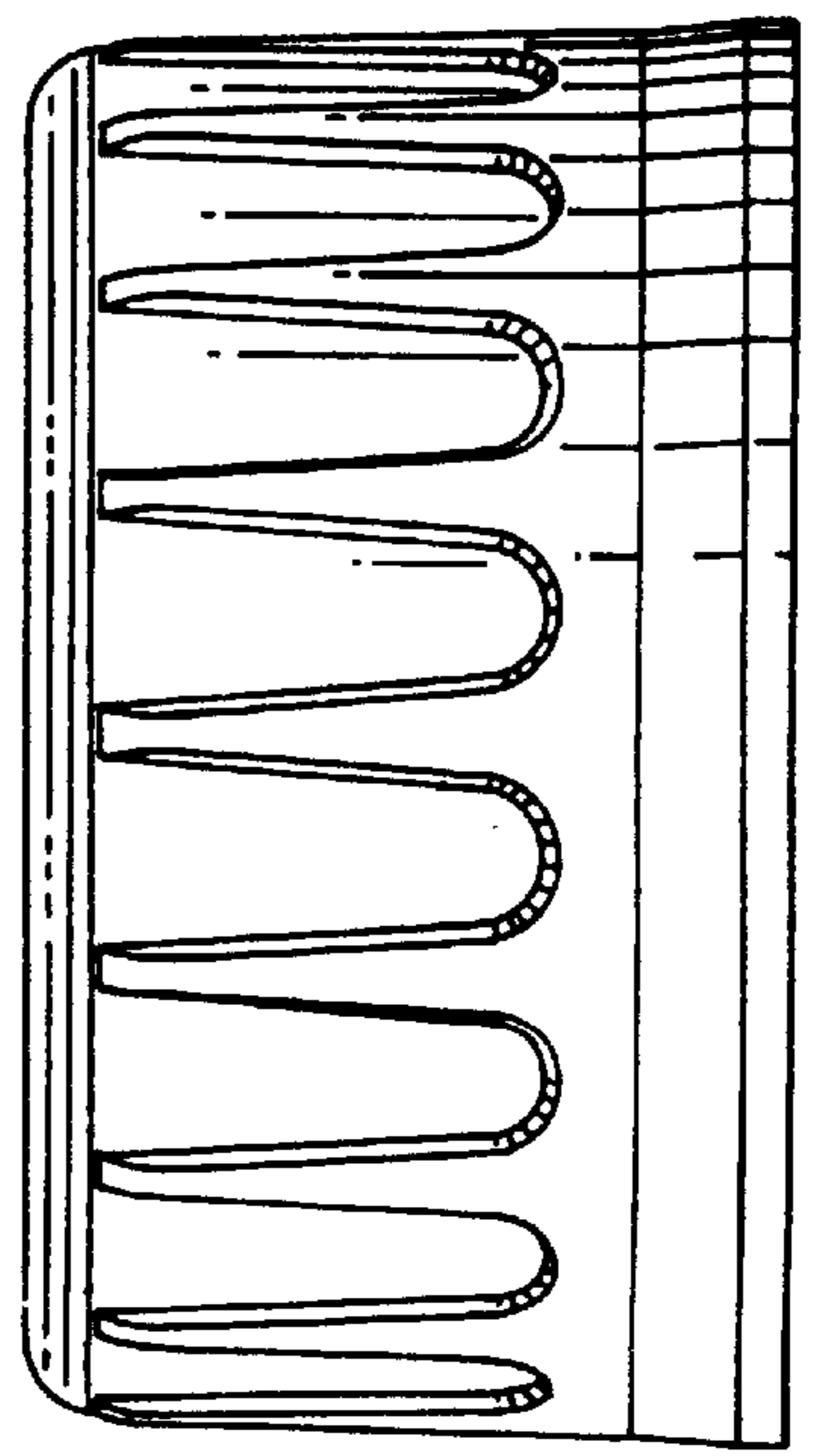


FIG. 2