



US00D443511S

(12) **United States Design Patent**
Jensen

(10) **Patent No.:** **US D443,511 S**

(45) **Date of Patent:** **** Jun. 12, 2001**

- (54) **FERMENTATION BUNG**
- (75) Inventor: **Phil Jensen**, Los Angeles, CA (US)
- (73) Assignee: **Matz Rubber Co., Inc.**, Burbank, CA (US)
- (**) Term: **14 Years**
- (21) Appl. No.: **29/114,348**
- (22) Filed: **Nov. 19, 1999**
- (51) **LOC (7) Cl.** **09-07**
- (52) **U.S. Cl.** **D9/440**
- (58) **Field of Search** D9/435, 439, 440; 215/230, 355, 358, 364; 220/601, 796, 801, 802, DIG. 19; 222/545, 562, 563

5,086,675	2/1992	Leung et al.	81/3.29
5,109,997	5/1992	Phillips	215/360
5,636,757	6/1997	Porvaznik	215/364
5,722,548 *	3/1998	Hojnoski	215/299
5,779,085 *	7/1998	Havlinek et al.	220/234
6,170,684 *	1/2001	Vincent et al.	215/364

* cited by examiner

Primary Examiner—Cathron Brooks

(74) *Attorney, Agent, or Firm*—Lyon & Lyon LLP

(57) **CLAIM**

The ornamental design for a fermentation bung, as shown and described.

DESCRIPTION

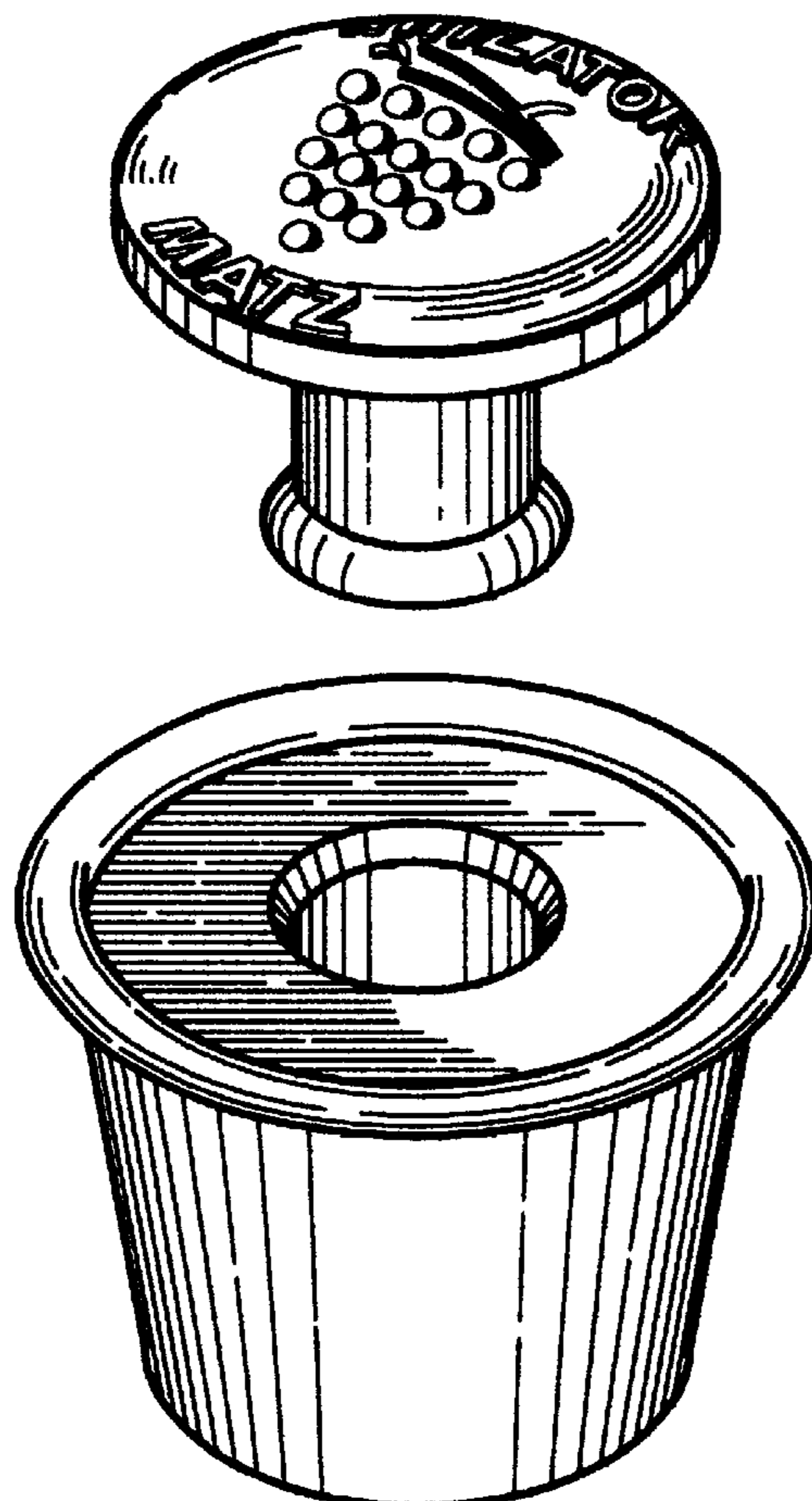
FIG. 1 is a bottom and side perspective view of a fermentation bung showing my new design;
 FIG. 2 is a top and side perspective view thereof;
 FIG. 3 is a side elevational view thereof, the opposite side being a mirror image thereof;
 FIG. 4 is a top plan view thereof;
 FIG. 5 is a bottom plan view thereof;
 FIG. 6 is a view taken from line 6—6 of FIG. 3; and,
 FIG. 7 is a view taken from line 7—7 of FIG. 3.

(56) **References Cited**

U.S. PATENT DOCUMENTS

D. 407,016 *	3/1999	Nastasia	D9/439
D. 420,589 *	2/2000	Baxter	D9/439
2,946,491 *	7/1960	Bramming	222/545
4,496,065 *	1/1985	Nagy	215/207
4,800,156	1/1989	Yuhda	435/296
4,889,251	12/1989	Hojnoski	215/296

1 Claim, 2 Drawing Sheets



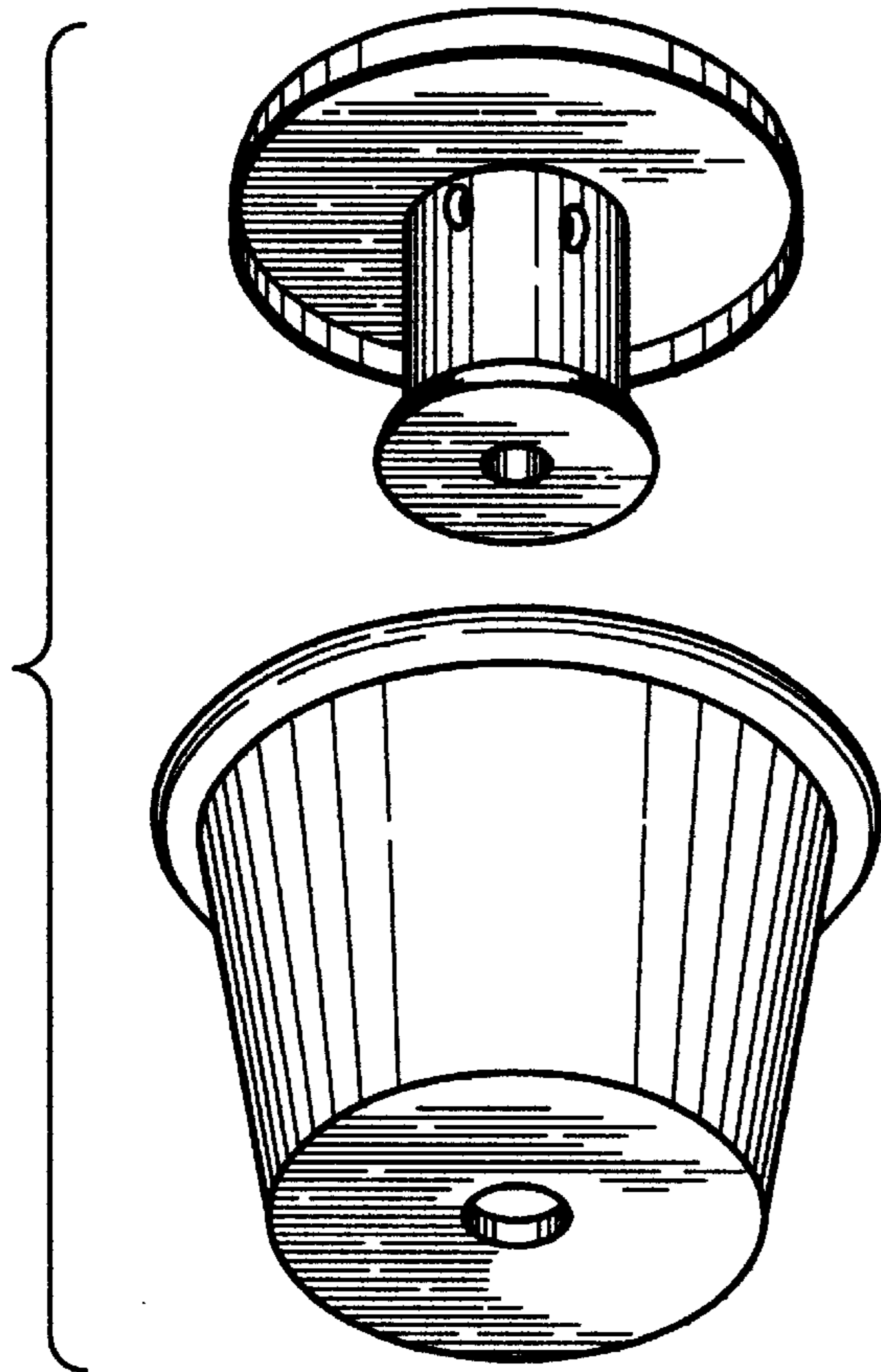


Fig. 1

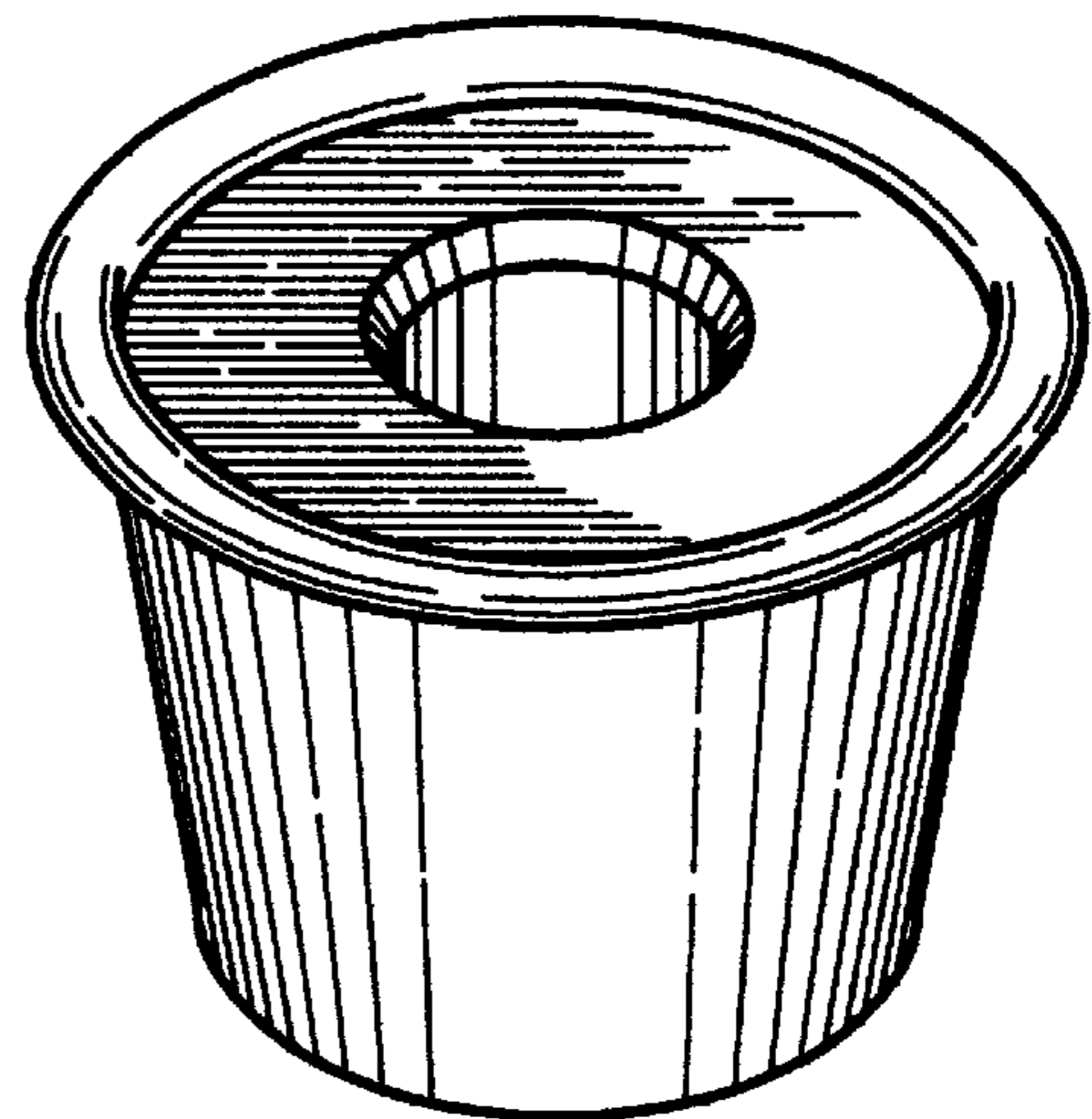
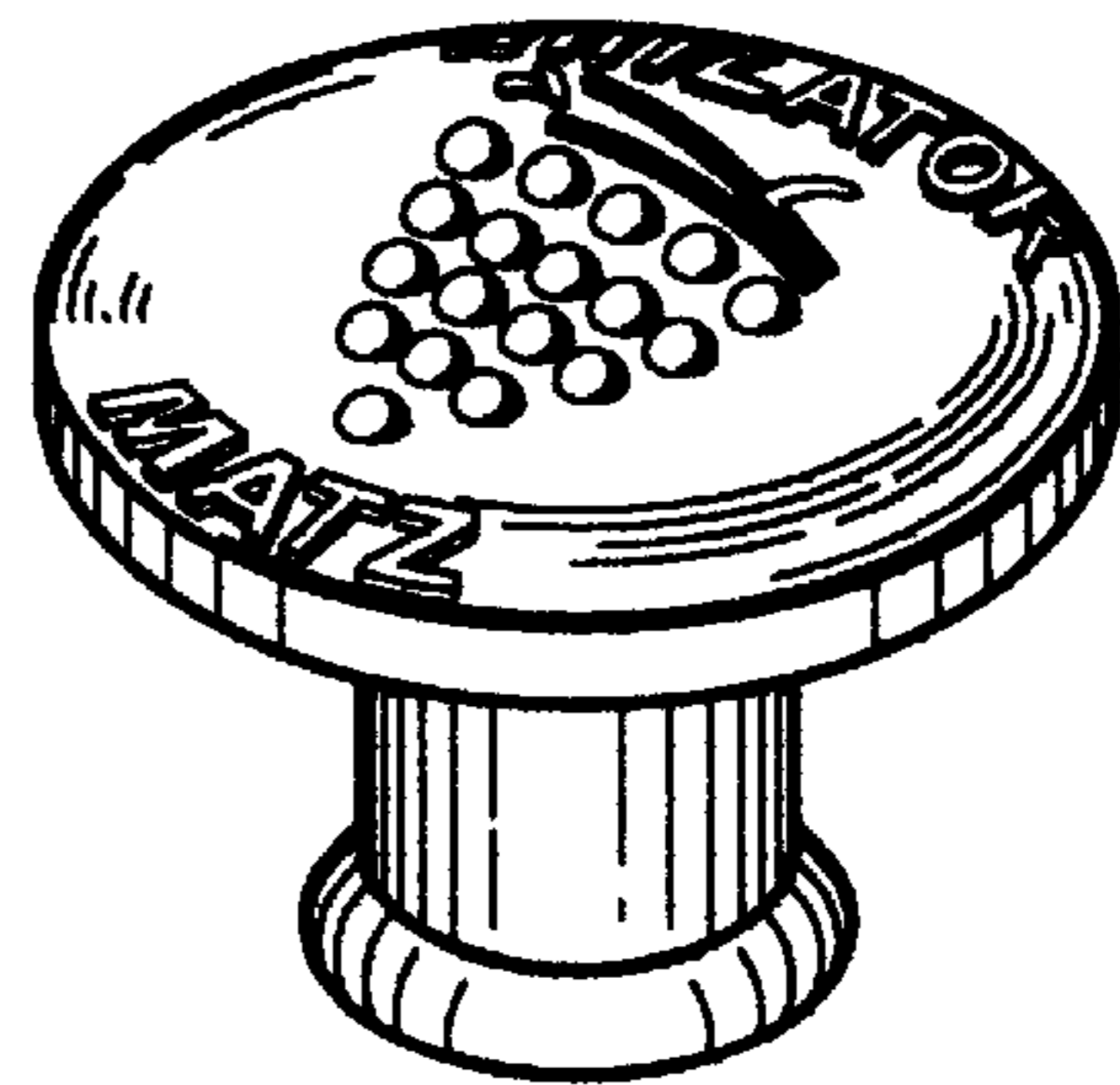


Fig. 2

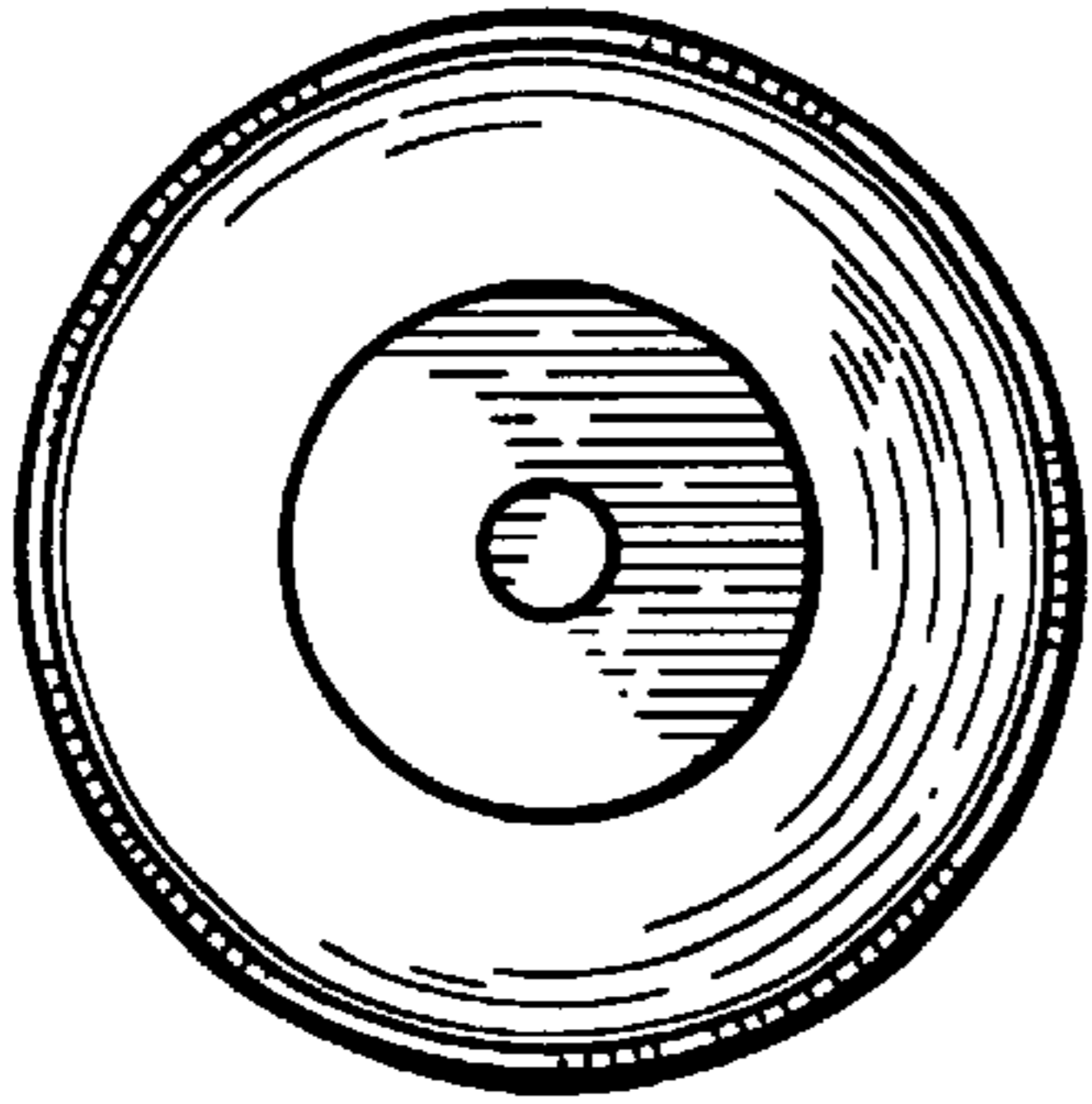


Fig. 6

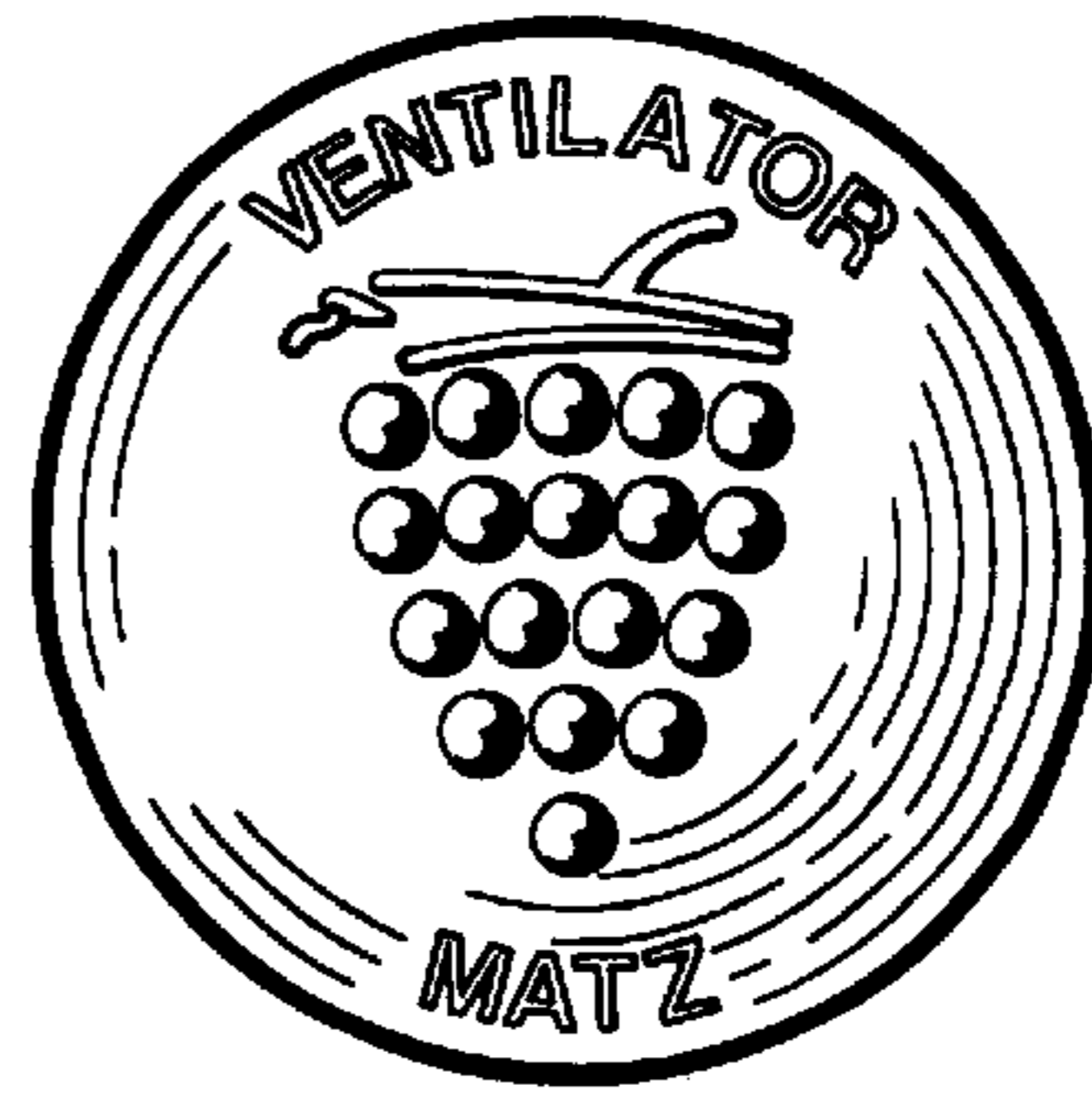


Fig. 4

Fig. 3

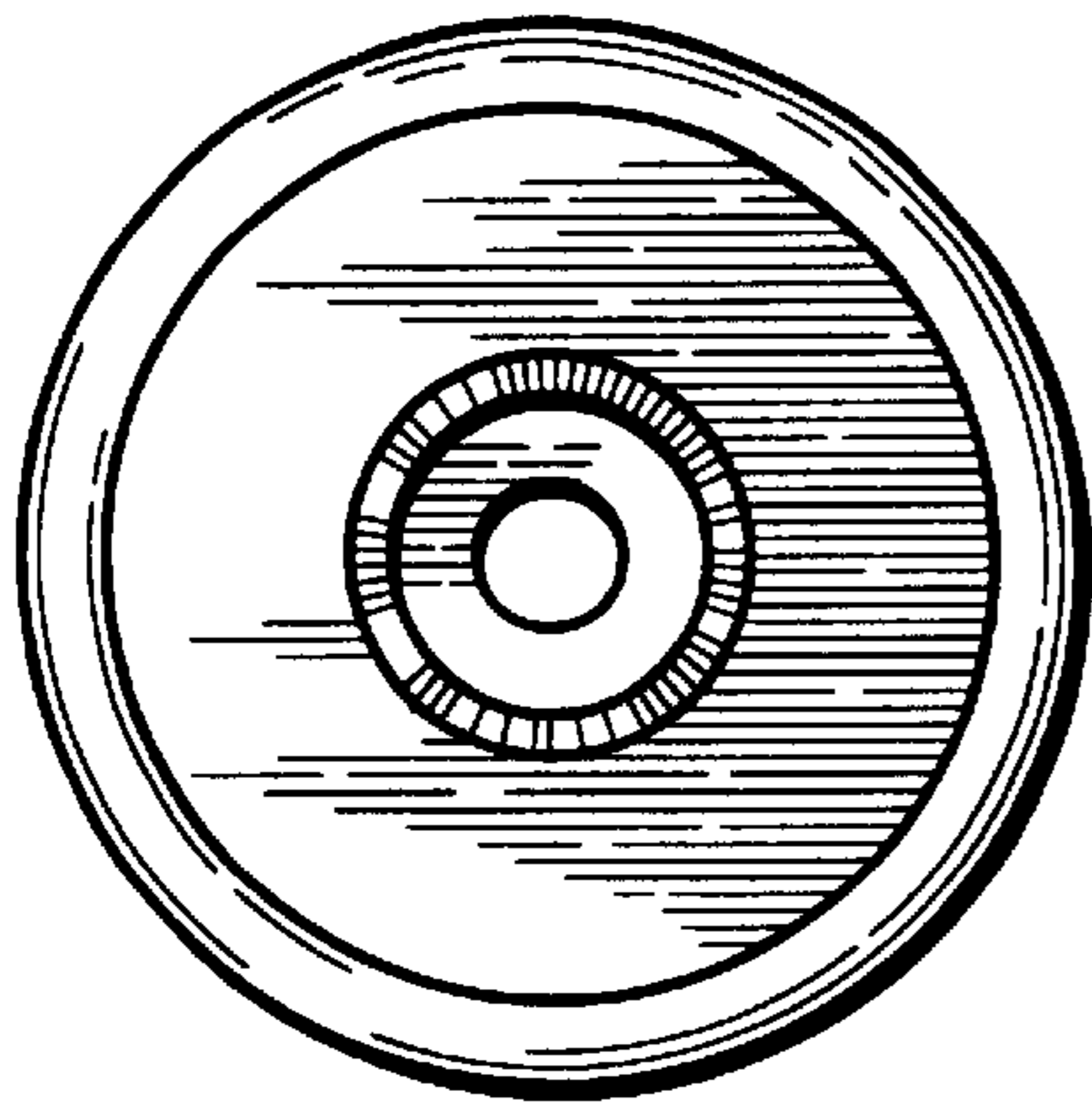
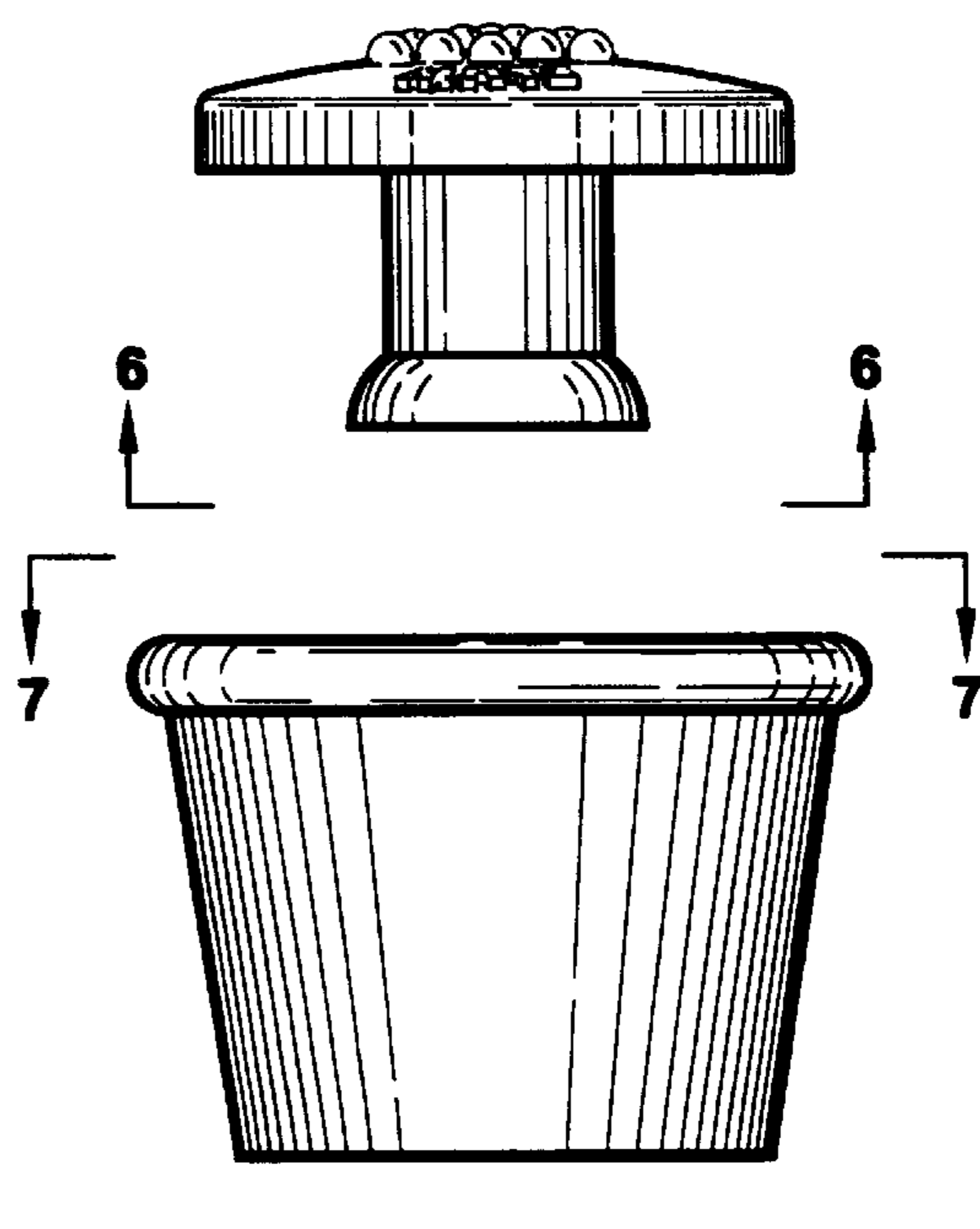


Fig. 7

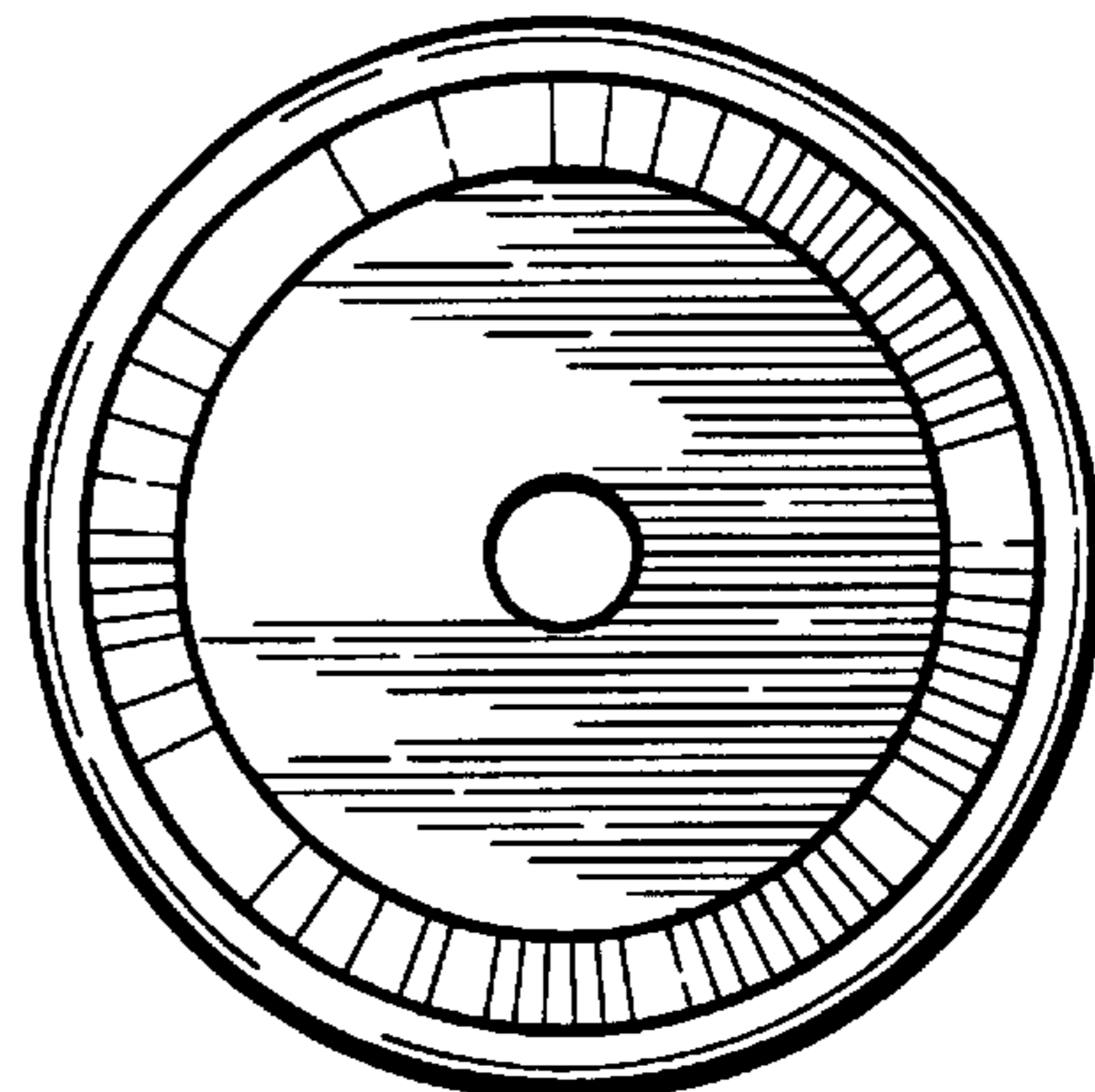


Fig. 5