



US00D443509S

(12) **United States Design Patent**  
**Nantel**

(10) **Patent No.:** **US D443,509 S**

(45) **Date of Patent:** **\*\* Jun. 12, 2001**

(54) **DISPLAY BOX**

(76) **Inventor:** **Eric Nantel**, 431 Dominique, Ste-Julie,  
(Québec) (CA), J0L 2S0

(\*\*) **Term:** **14 Years**

(21) **Appl. No.:** **29/117,265**

(22) **Filed:** **Jan. 21, 2000**

(30) **Foreign Application Priority Data**

Aug. 5, 1999 (CA) ..... 1999-1913

(51) **LOC (7) Cl.** ..... **09-03**

(52) **U.S. Cl.** ..... **D9/425; D9/423**

(58) **Field of Search** ..... D9/414-430, 337,  
D9/341; D3/201, 273, 274; 206/511, 509,  
503, 508, 775-778; 220/608, 609, 623,  
657, 659, 662, 669, 675; 229/406, 407

(56) **References Cited**

**U.S. PATENT DOCUMENTS**

- D. 339,744 \* 9/1993 Seppala ..... D9/425
- D. 363,879 \* 11/1995 Krupa et al. .... D9/425
- D. 393,204 \* 4/1998 Goins et al. .... D9/425

- 3,272,371 \* 9/1966 Weiner ..... 206/511
- 5,080,250 \* 1/1992 Dickinson et al. .... 220/608
- 5,456,379 \* 10/1995 Krupa et al. .... 206/608
- 5,685,452 \* 11/1997 Kristoffersson ..... 220/608
- 5,797,495 \* 8/1998 Lerrick ..... 220/608
- 6,089,372 \* 7/2000 Fahrion ..... 206/511

\* cited by examiner

*Primary Examiner*—Prabhakar Deshmukh

(74) *Attorney, Agent, or Firm*—François Martineau

(57) **CLAIM**

The ornamental design for a display box, as shown and described.

**DESCRIPTION**

FIG. 1 is a top plan view of the display box;  
 FIG. 2 is a front elevational view thereof, the rear elevational view being a mirror image thereof;  
 FIG. 3 is a right side elevational view thereof, the left side elevational being a mirror image thereof.  
 FIG. 4 is a bottom plan view thereof; and,  
 FIG. 5 is a perspective view thereof.

**1 Claim, 3 Drawing Sheets**

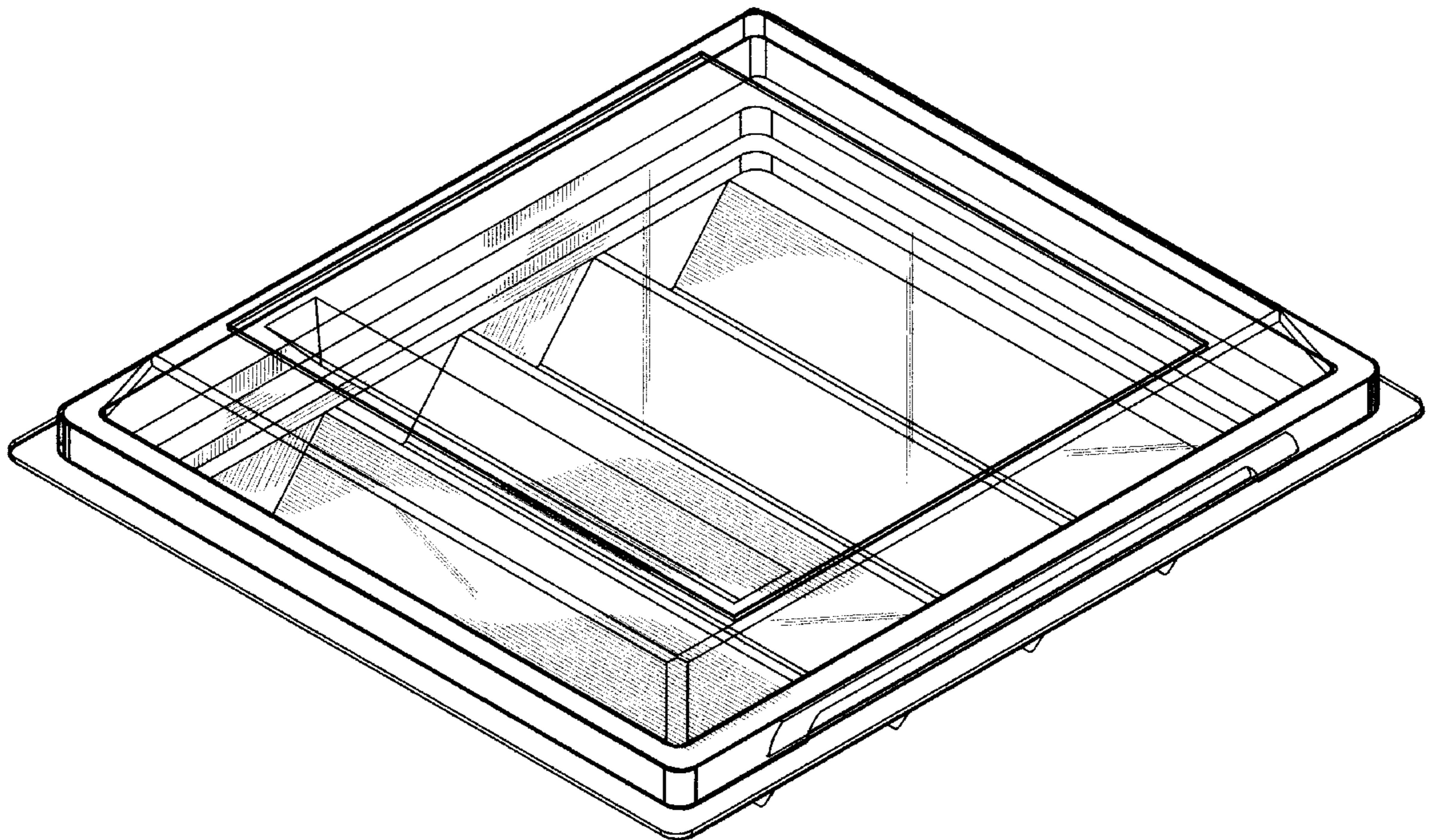


FIG.1

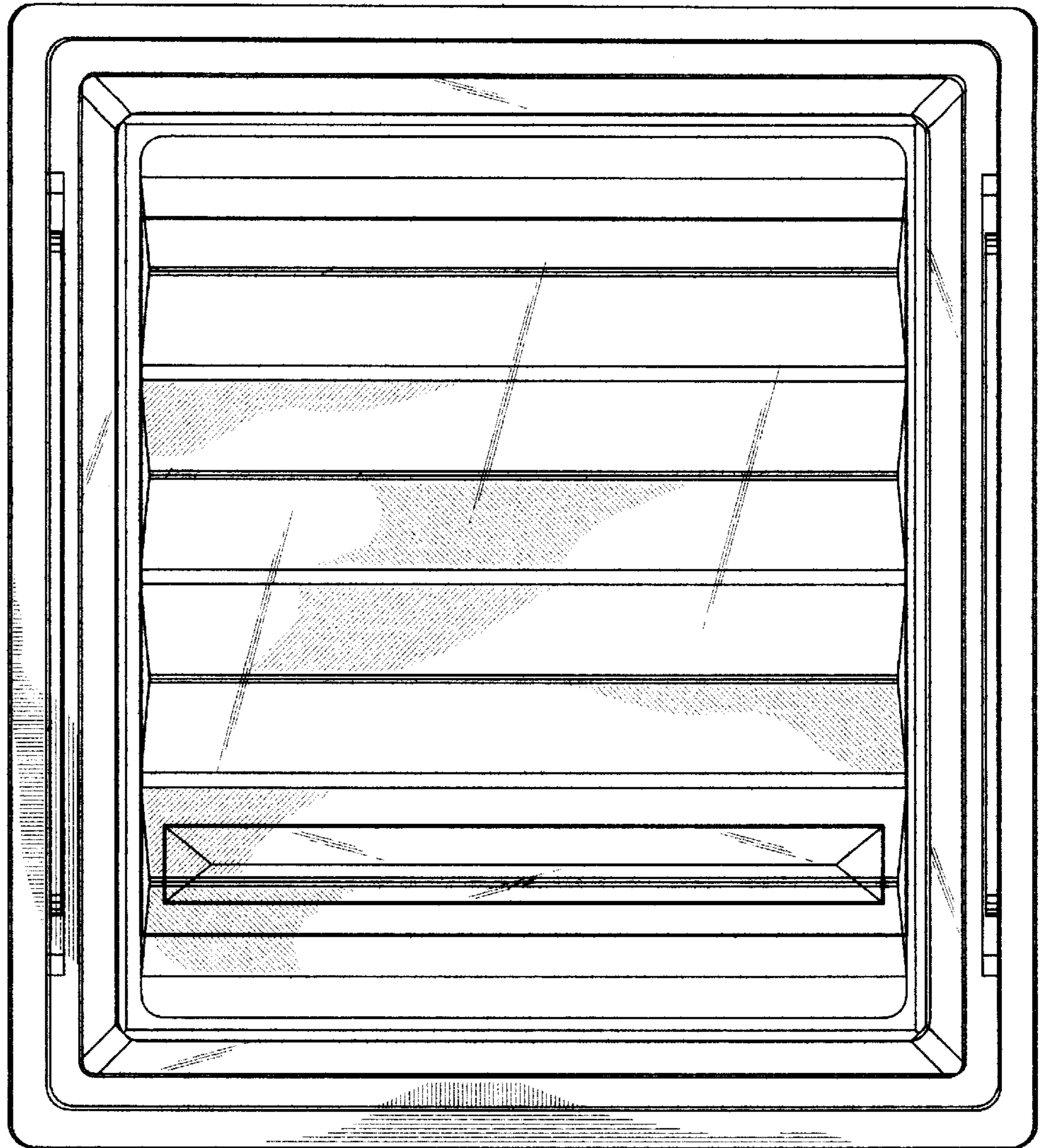


FIG.2

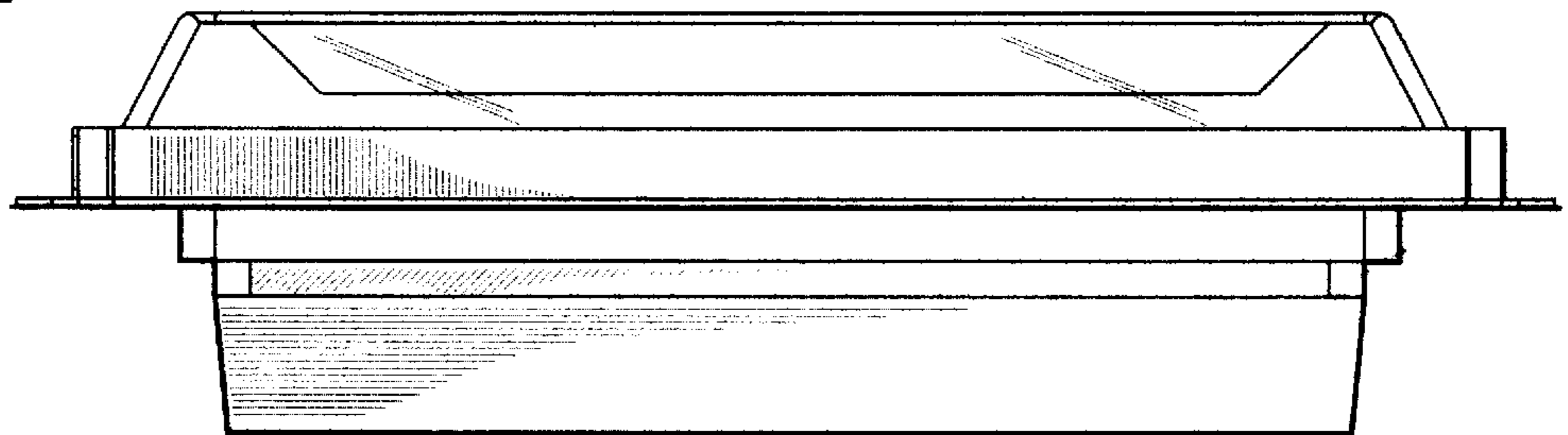


FIG.3

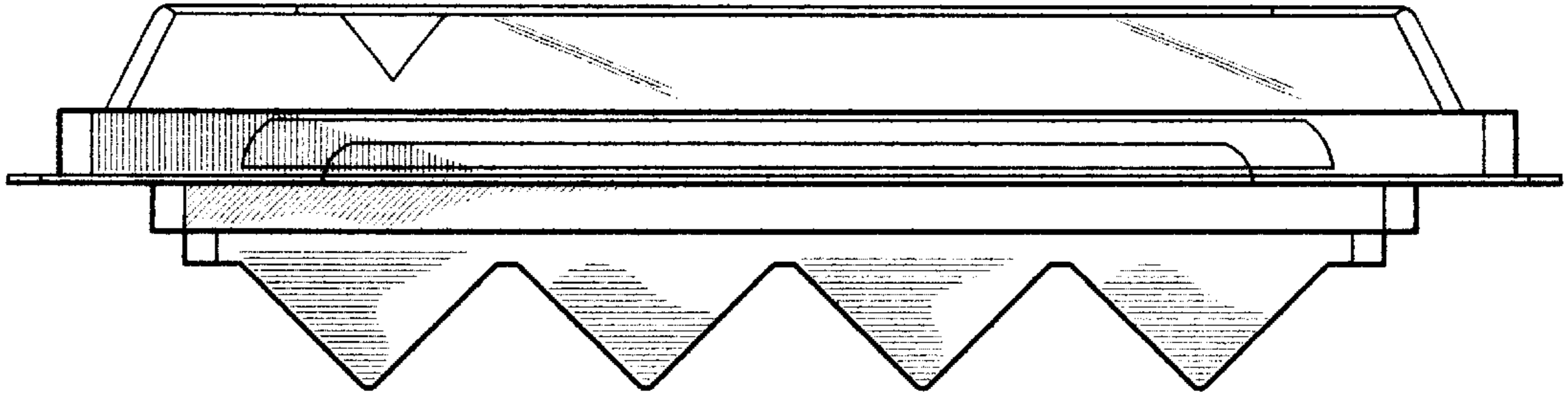
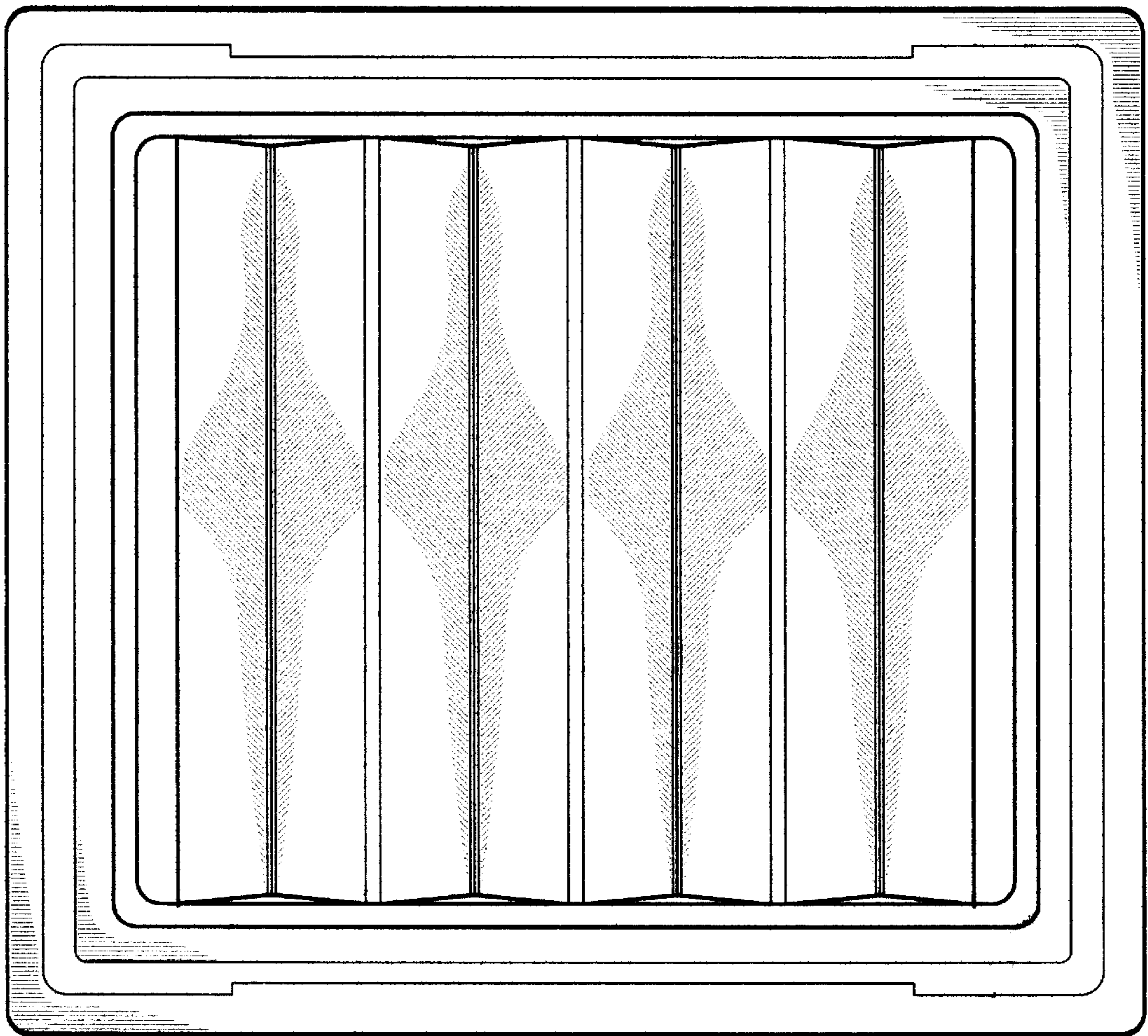


FIG.4



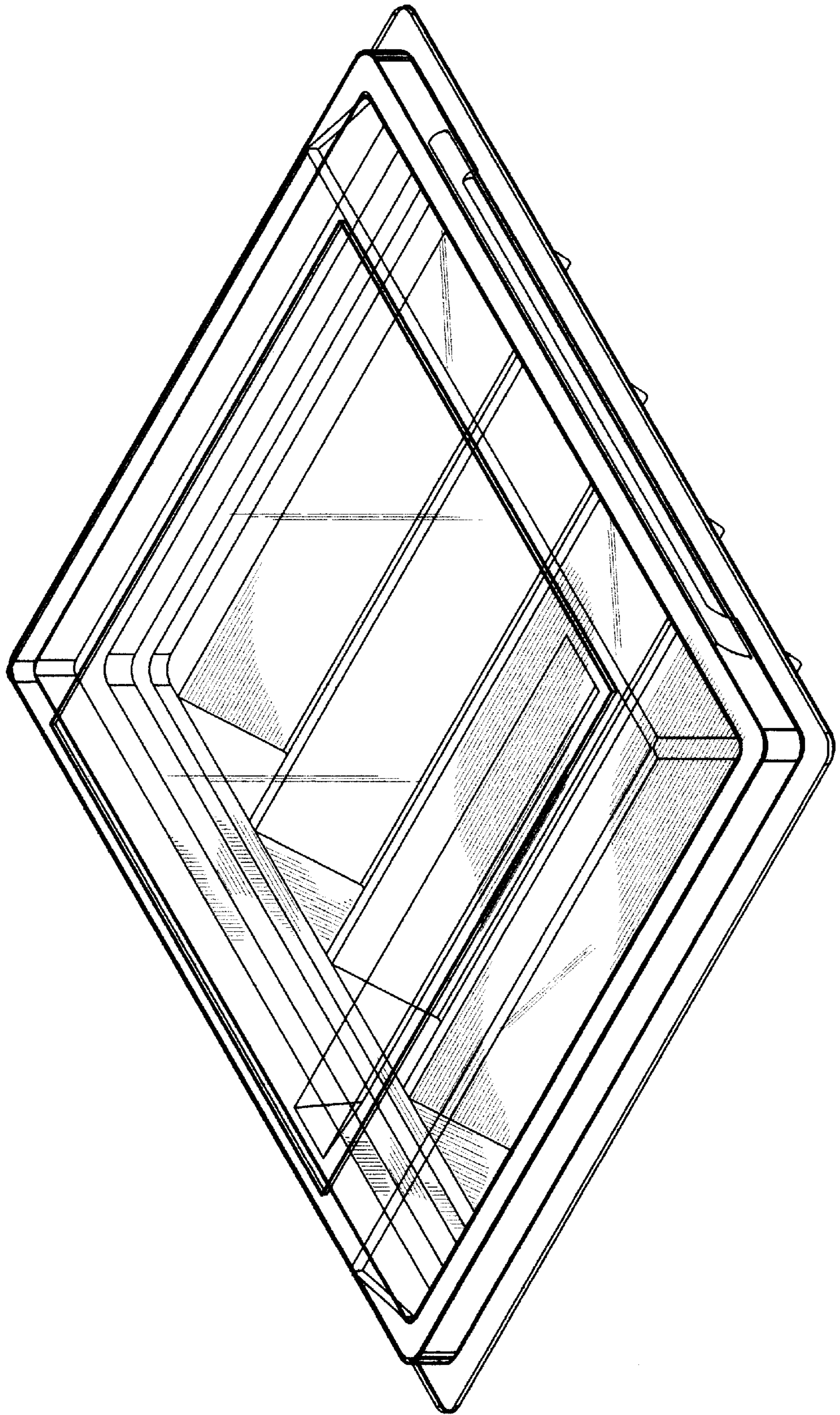


FIG.5