



US00D443504S

(12) **United States Design Patent**
Benz et al.

(10) **Patent No.:** **US D443,504 S**

(45) **Date of Patent:** **** Jun. 12, 2001**

(54) **FASTENING ANGLE**

4,883,246 * 11/1989 Esposito 248/165
4,973,187 * 11/1990 Sauder 403/205
5,076,736 * 12/1991 Grewe et al. 403/295

(75) Inventors: **Albrecht Benz**,
Leinfeld-Echterdingen; **Joerg**
Walther, Korntal; **Torsten Buening**,
Stuttgart; **Frank Rahfeld**,
Reichelsheim; **Olaf Klemm**,
Markgroeningen, all of (DE)

* cited by examiner

Primary Examiner—Holly Baynham
(74) *Attorney, Agent, or Firm*—Michael J. Striker

(73) Assignee: **Robert Bosch GmbH**, Stuttgart (DE)

(57) **CLAIM**

(**) Term: **14 Years**

The ornamental design for a fastening angle, as shown and described.

(21) Appl. No.: **29/101,641**

(22) Filed: **Mar. 8, 1999**

(30) **Foreign Application Priority Data**

Sep. 7, 1998 (DE) 4 98 08 886

(51) **LOC (7) Cl.** **08-08**

(52) **U.S. Cl.** **D8/382**

(58) **Field of Search** D8/382; 52/238.1;
403/169-170, 173-174, 205, 312, 177-178,
300, 305, 306; 248/220.1

DESCRIPTION

FIG. 1 is a perspective view of a fastening angle showing our new design, which is a mirror image of the opposite side thereof;

FIG. 2 is a side view thereof;

FIG. 3 is a front view thereof;

FIG. 4 is a top plan view thereof;

FIG. 5 is an opposite side view thereof;

FIG. 6 is a rear view thereof; and,

FIG. 7 is a bottom plan view thereof.

(56) **References Cited**

U.S. PATENT DOCUMENTS

3,912,407 * 10/1975 Heininger 403/205

1 Claim, 2 Drawing Sheets

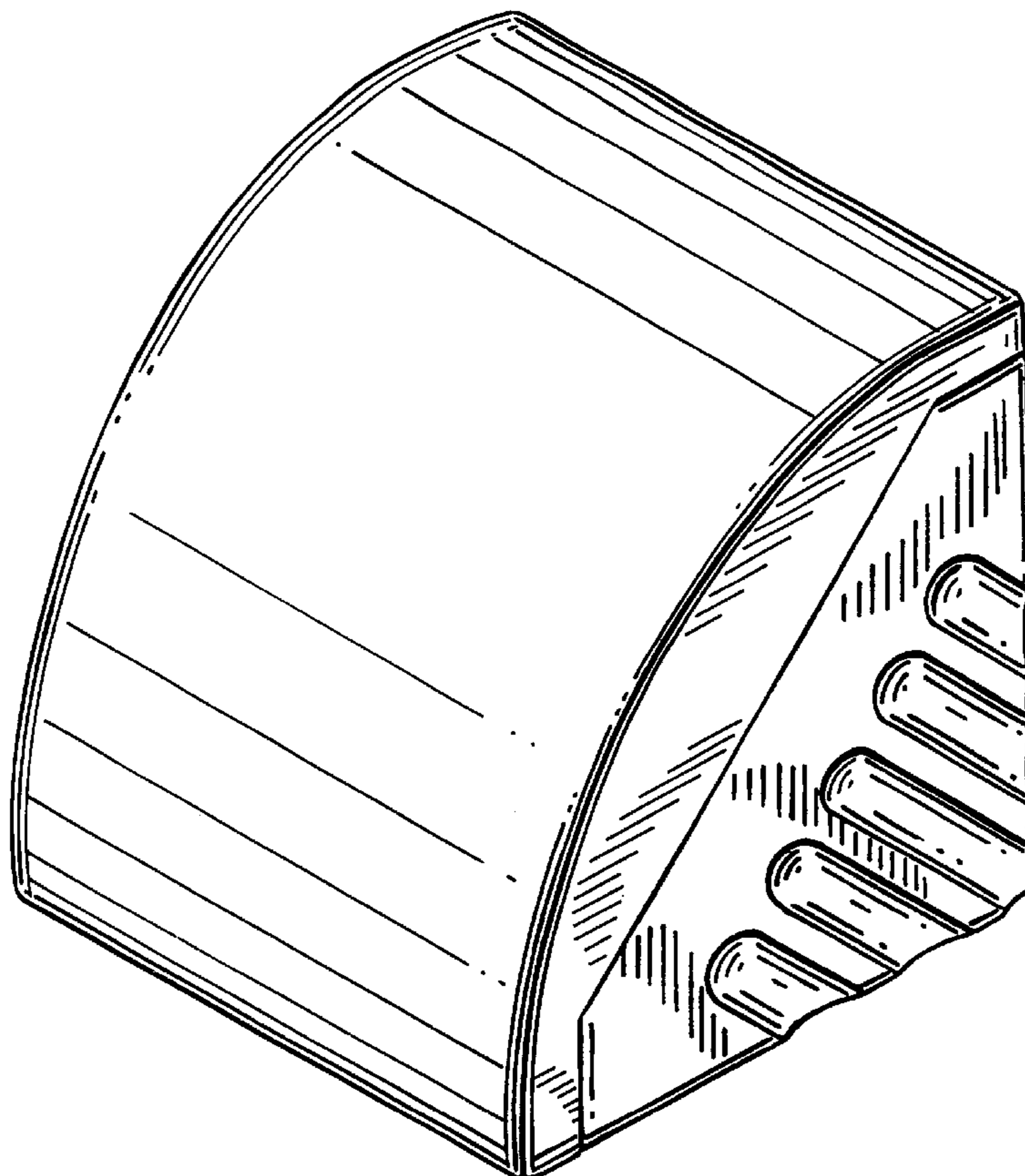


FIG. 1

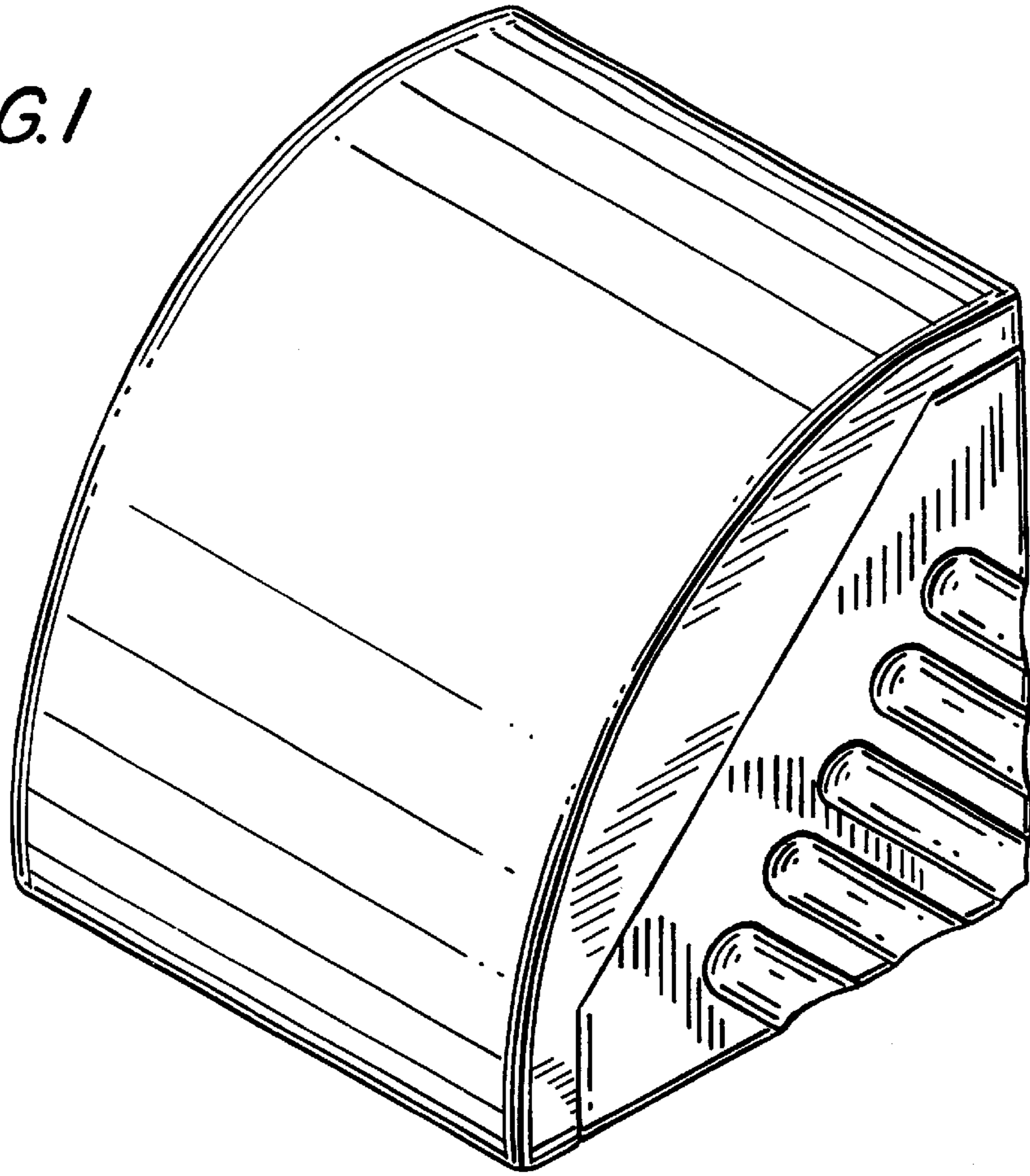


FIG. 2

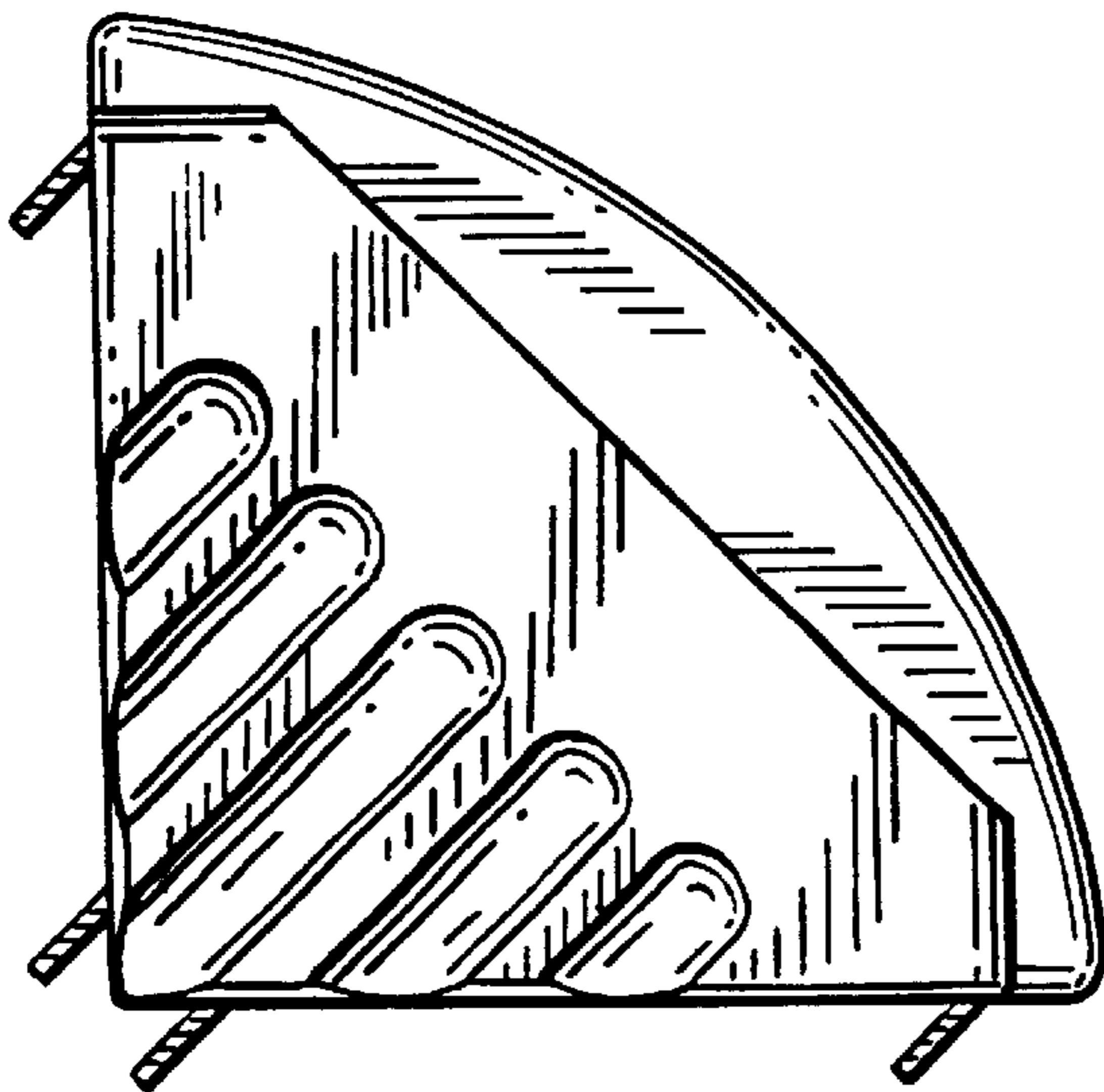
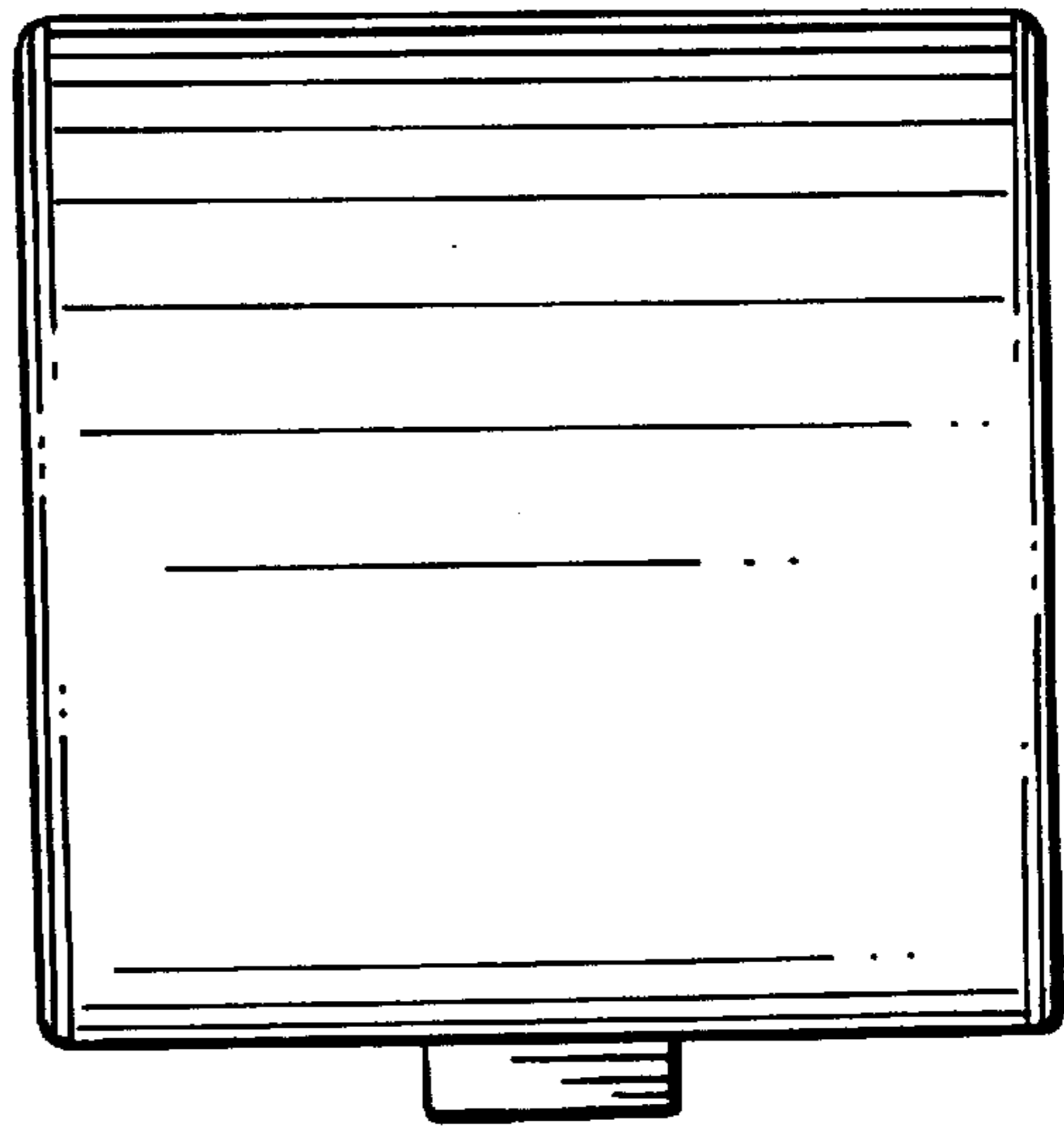


FIG. 3



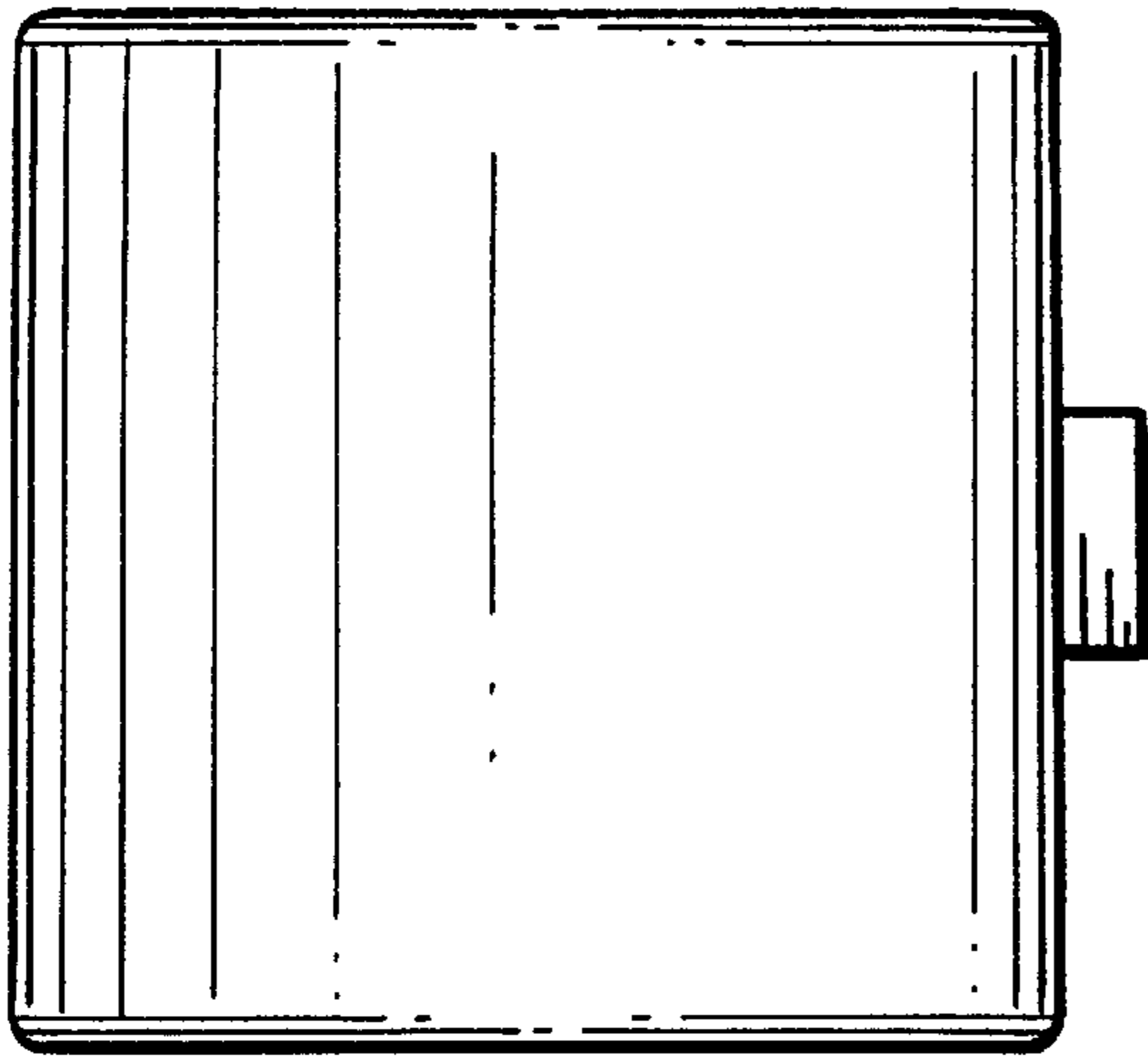


FIG. 4

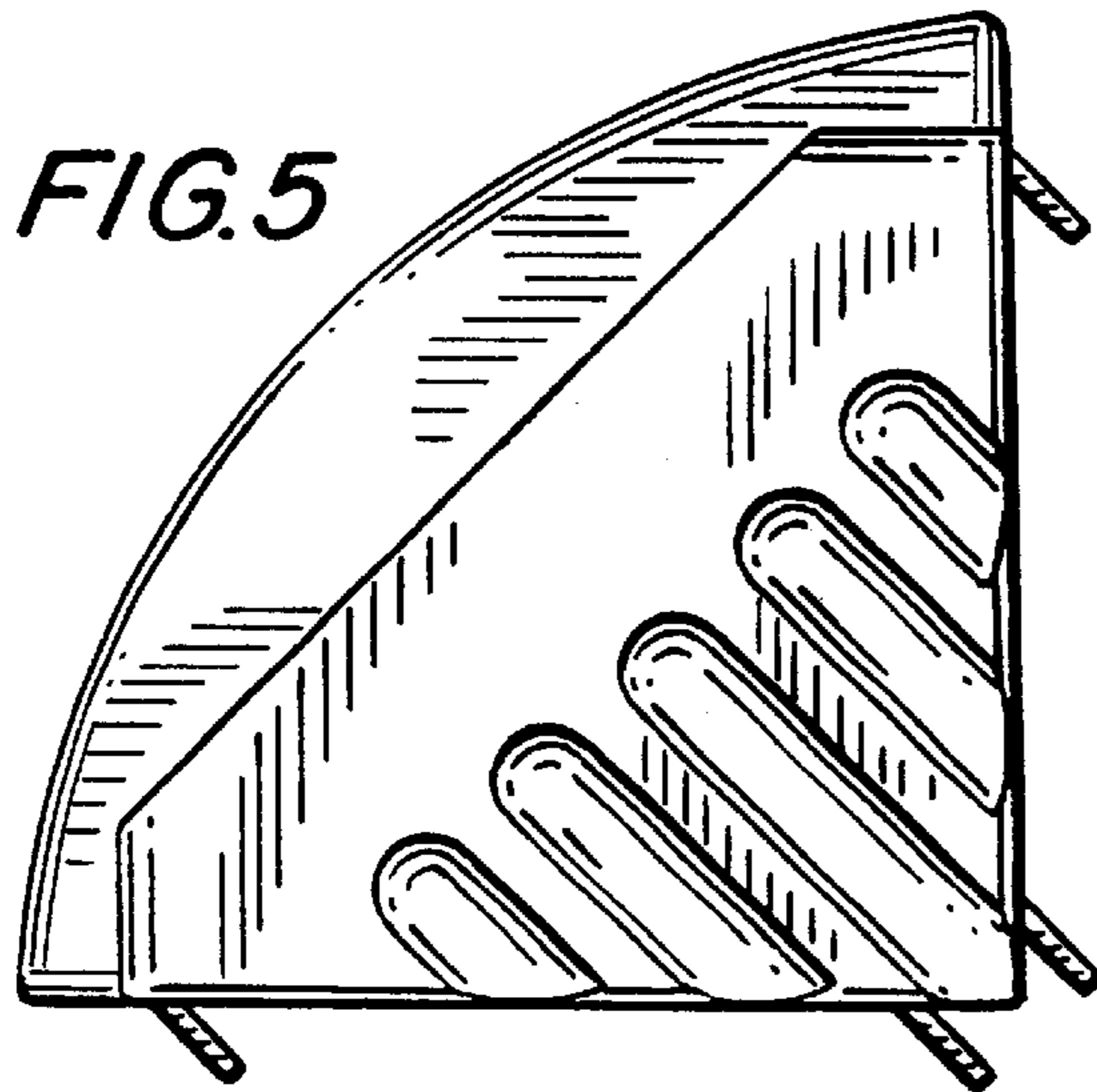


FIG. 5

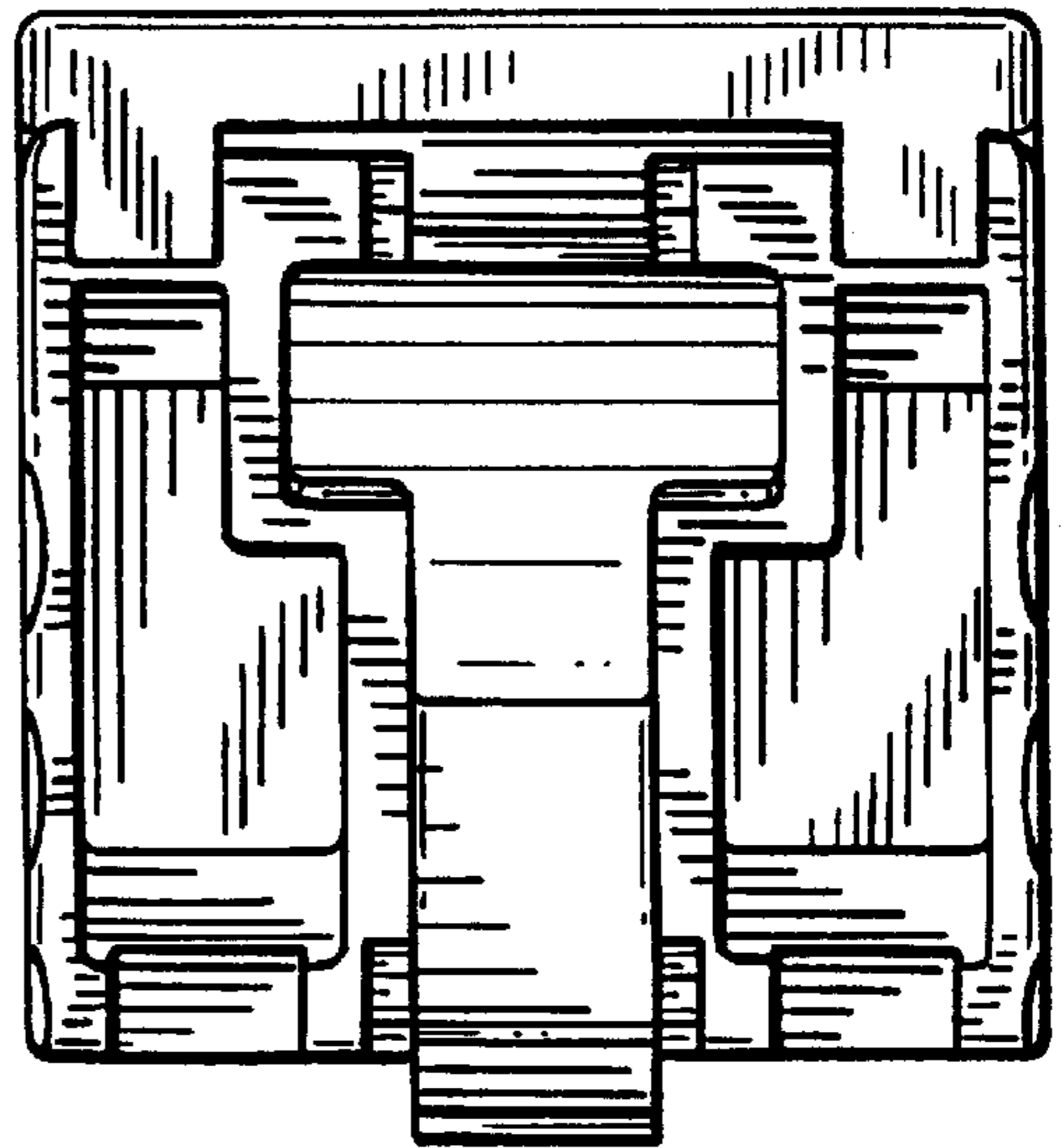


FIG. 6

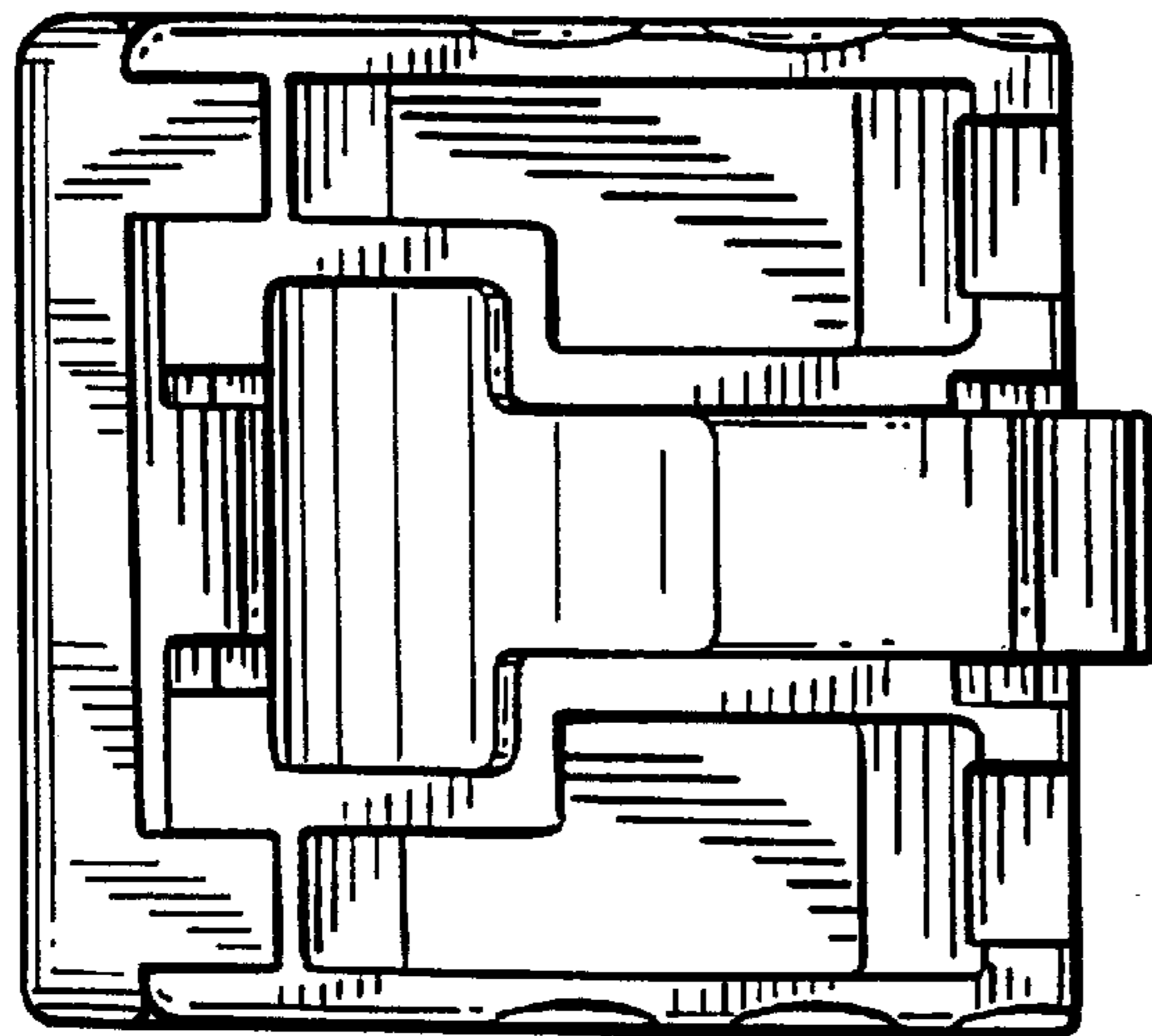


FIG. 7