



US00D443500S

(12) **United States Design Patent**
Luu

(10) **Patent No.: US D443,500 S**

(45) **Date of Patent: ** Jun. 12, 2001**

(54) **WALL PLATE**

(75) Inventor: **Lionel V. Luu**, Anaheim, CA (US)

(73) Assignee: **Pacsuma Company, Ltd.**, Kowloon (HK)

(**) Term: **14 Years**

(21) Appl. No.: **29/113,882**

(22) Filed: **Nov. 16, 1999**

(51) **LOC (7) Cl.** **11-05**

(52) **U.S. Cl.** **D8/353; D13/179.6; D26/26; D26/51**

(58) **Field of Search** D13/177, 139.6, D13/137.3, 133, 146, 139.8, 139.5; D26/51, 26; D8/350, 353; D14/101, 107, 125, 242, 256; 174/66; 439/107, 536, 540, 490; 362/95, 226, 406; 220/241; 710/69; 361/118, 119, 117, 643

(56) **References Cited**

U.S. PATENT DOCUMENTS

D. 212,760	*	11/1968	Bordner .	
D. 230,274	*	2/1974	Pulos .	
D. 281,417	*	11/1985	Guichard .	
D. 305,641	*	1/1990	DeLuca .	
D. 366,339	*	1/1996	Waller	D26/51
D. 366,878	*	2/1996	Wakabayashi et al.	D14/242
D. 395,314	*	6/1998	Oikawa	D14/242
D. 399,825	*	10/1998	Heung et al.	D13/139.6
D. 401,566	*	11/1998	Gesmondi et al.	D13/177
D. 407,072	*	3/1999	Gaule	D13/177
D. 421,741	*	3/2000	Lien	D13/139.8
D. 424,520	*	5/2000	Yu	D26/51
4,000,405	*	12/1976	Horwinski .	
4,611,264	*	9/1986	Bradley	362/95
4,872,081	*	10/1989	Murphy et al.	361/118

5,114,365	*	5/1992	Thompson et al.	174/66
5,414,587	*	5/1995	Kiser et al.	361/118
5,473,517	*	12/1995	Blackman	362/95
5,484,309	*	1/1996	Howard et al.	439/107
5,622,424	*	4/1997	Brady	362/95
5,923,517	*	7/1999	Murphy	361/118

* cited by examiner

Primary Examiner—B. J. Bullock

(74) *Attorney, Agent, or Firm*—Ostrolenk, Faber, Gerb & Soffen, LLP

(57) **CLAIM**

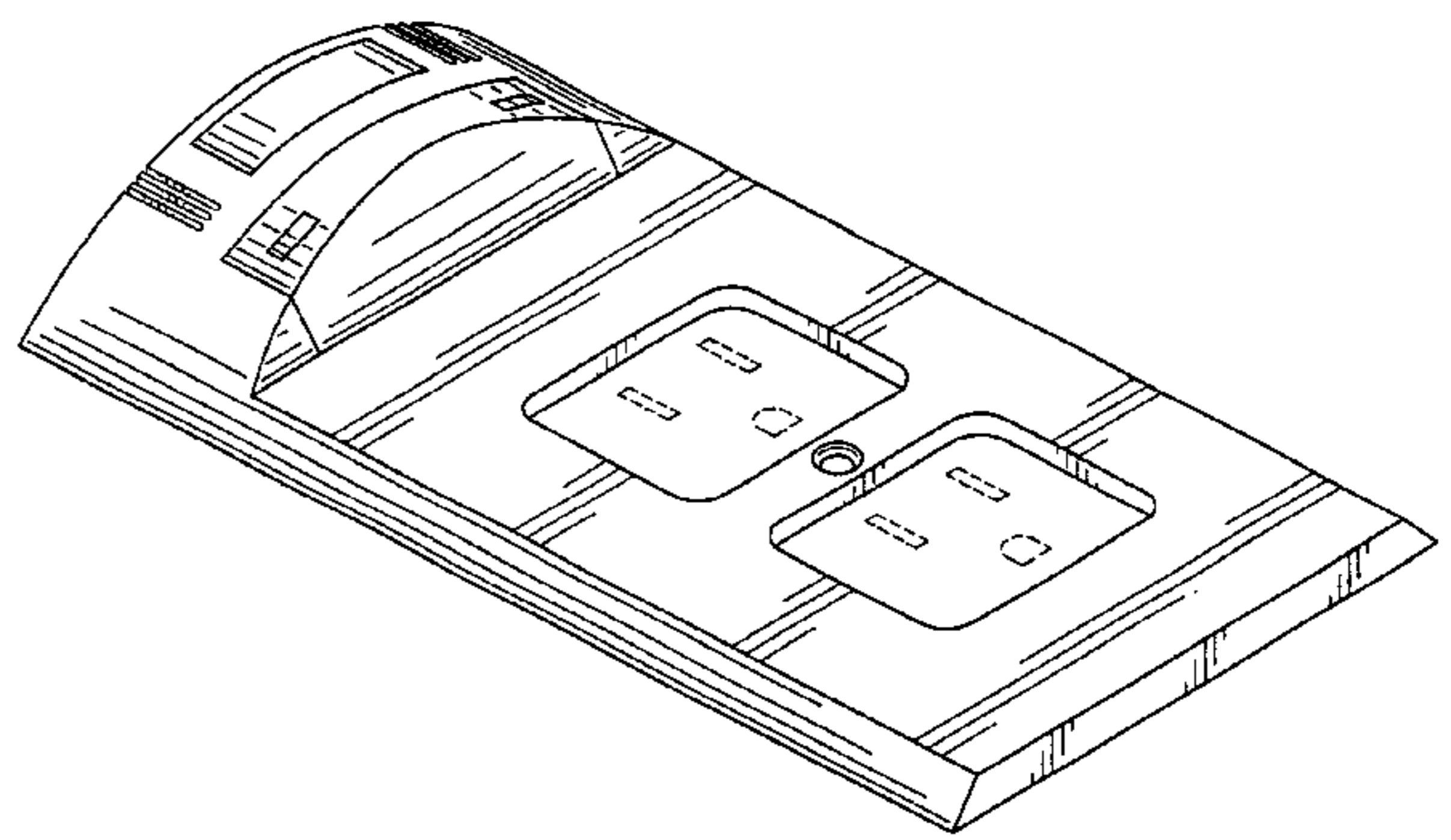
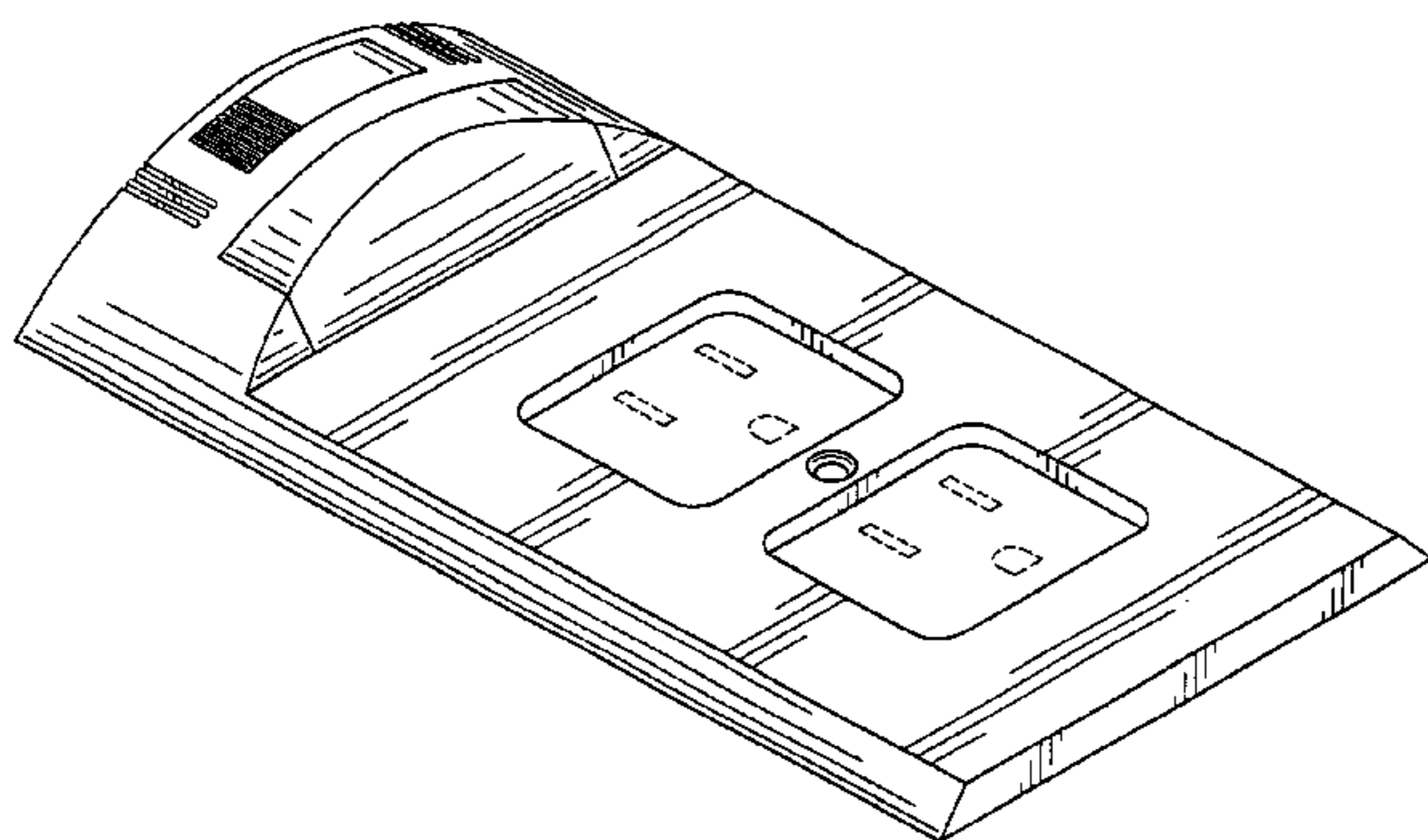
The ornamental designs for a wall plate, as shown and described.

DESCRIPTION

FIG. 1 is a perspective view of a first embodiment of the design, showing a wall plate having a built-in night light. FIG. 2 is a front plan view of the wall plate shown in FIG. 1, showing the night light disposed in the top portion above the outlet openings and a switch for switching the night light disposed above the night light between an off, on, or automatic operation mode.

FIG. 3 is a side view of the wall plate shown in FIG. 1. FIG. 4 is a bottom view of the wall plate shown in FIG. 1. FIG. 5 is a perspective view of a second embodiment of the design, showing a wall plate having a built-in surge protector. FIG. 6 is a front view of the wall plate shown in FIG. 5, showing surge protection and ground indicator lights disposed in the top portion above the outlet openings. FIG. 7 is a side view of the wall plate shown in FIG. 5; and, FIG. 8 is a bottom view of the wall plate shown in FIG. 5. The outlet holes for receiving the prongs of an electrical plug are shown in the figures as dashed lines and form no part of the inventive design.

1 Claim, 2 Drawing Sheets



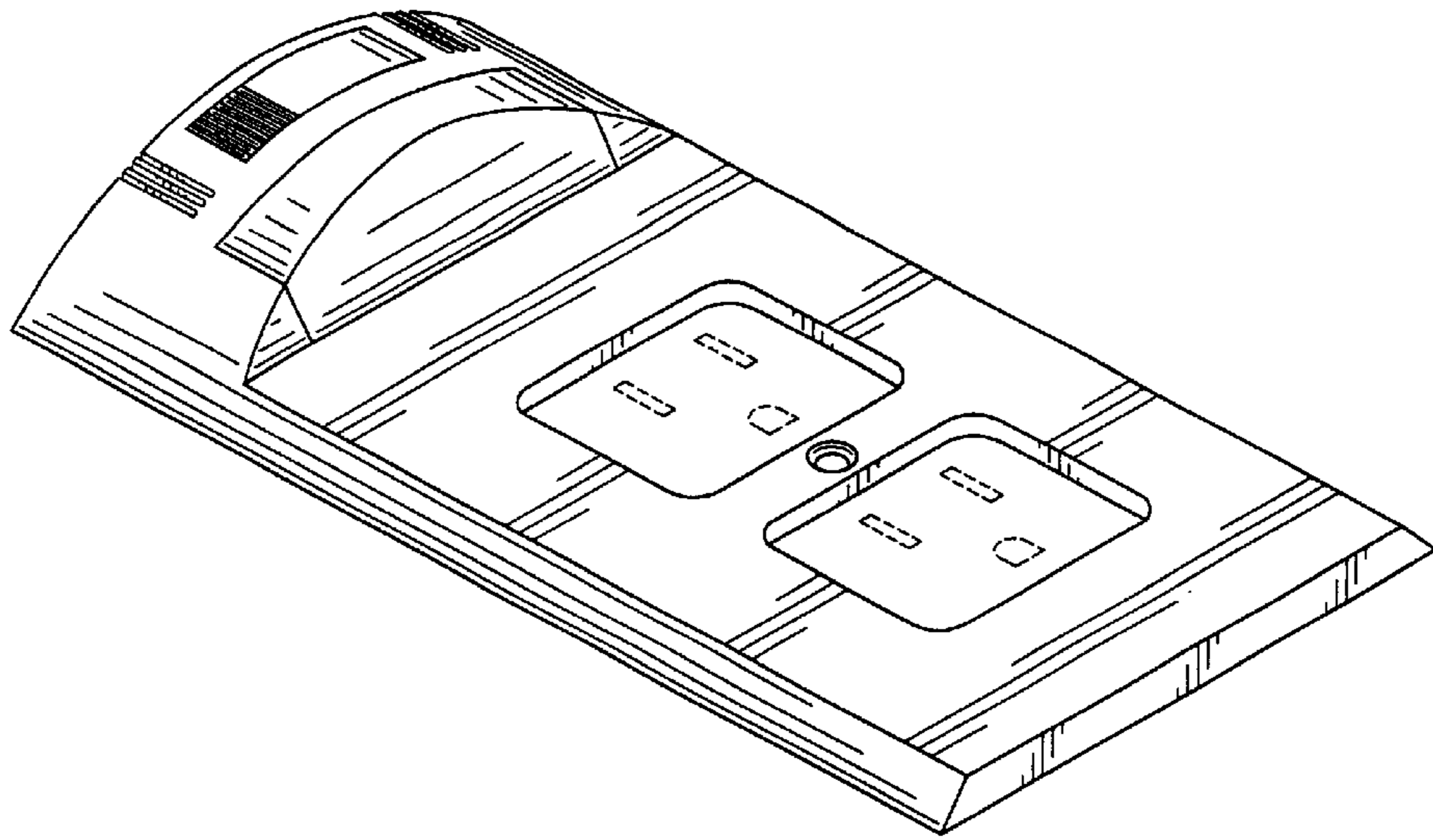


FIG. 1

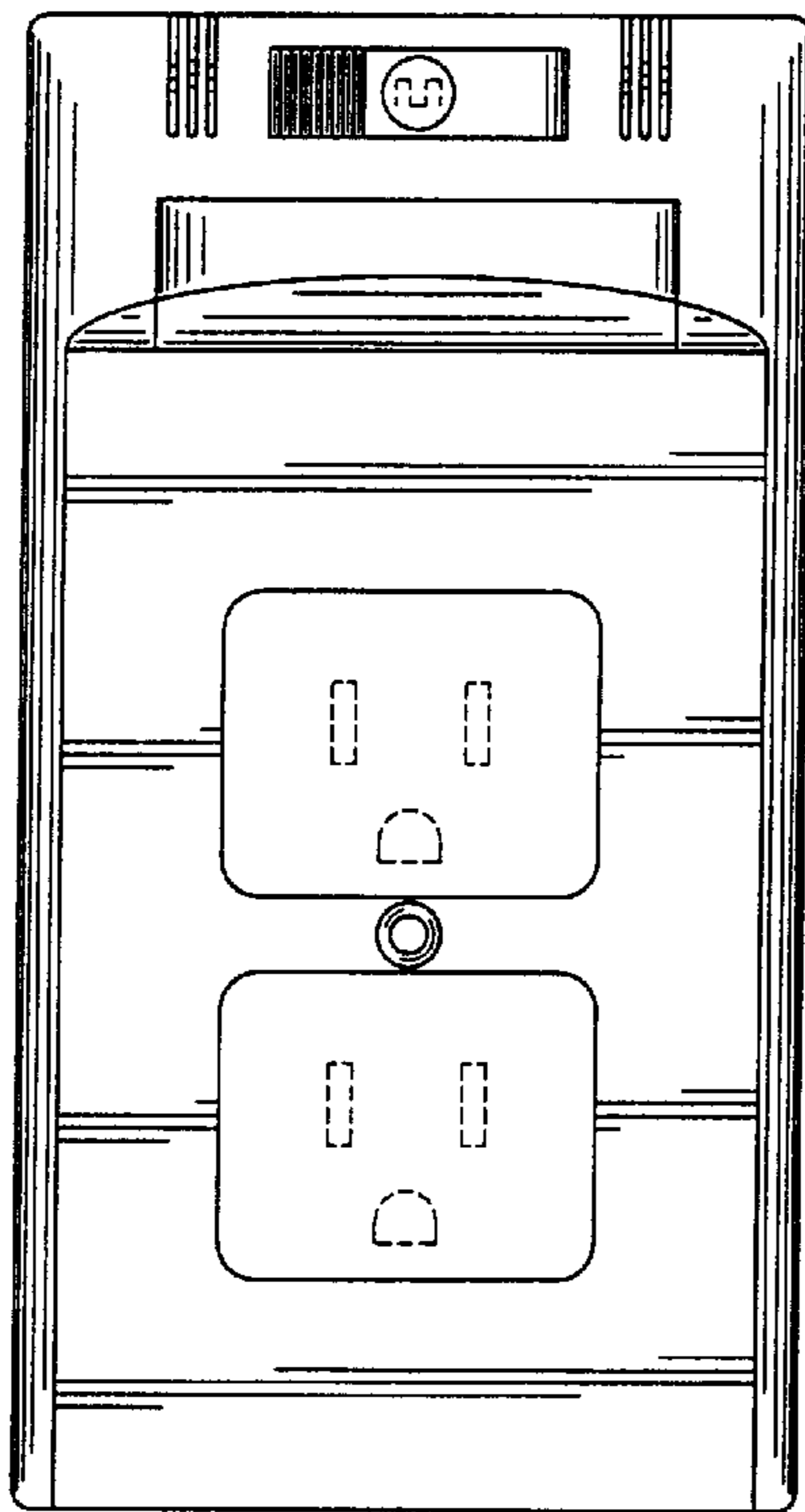


FIG. 2



FIG. 3

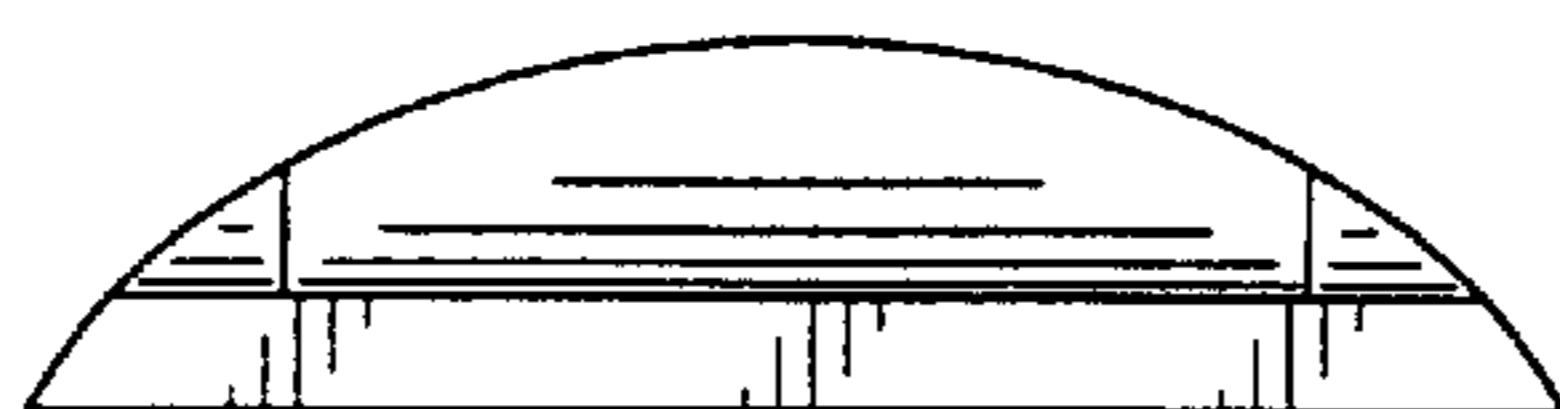


FIG. 4

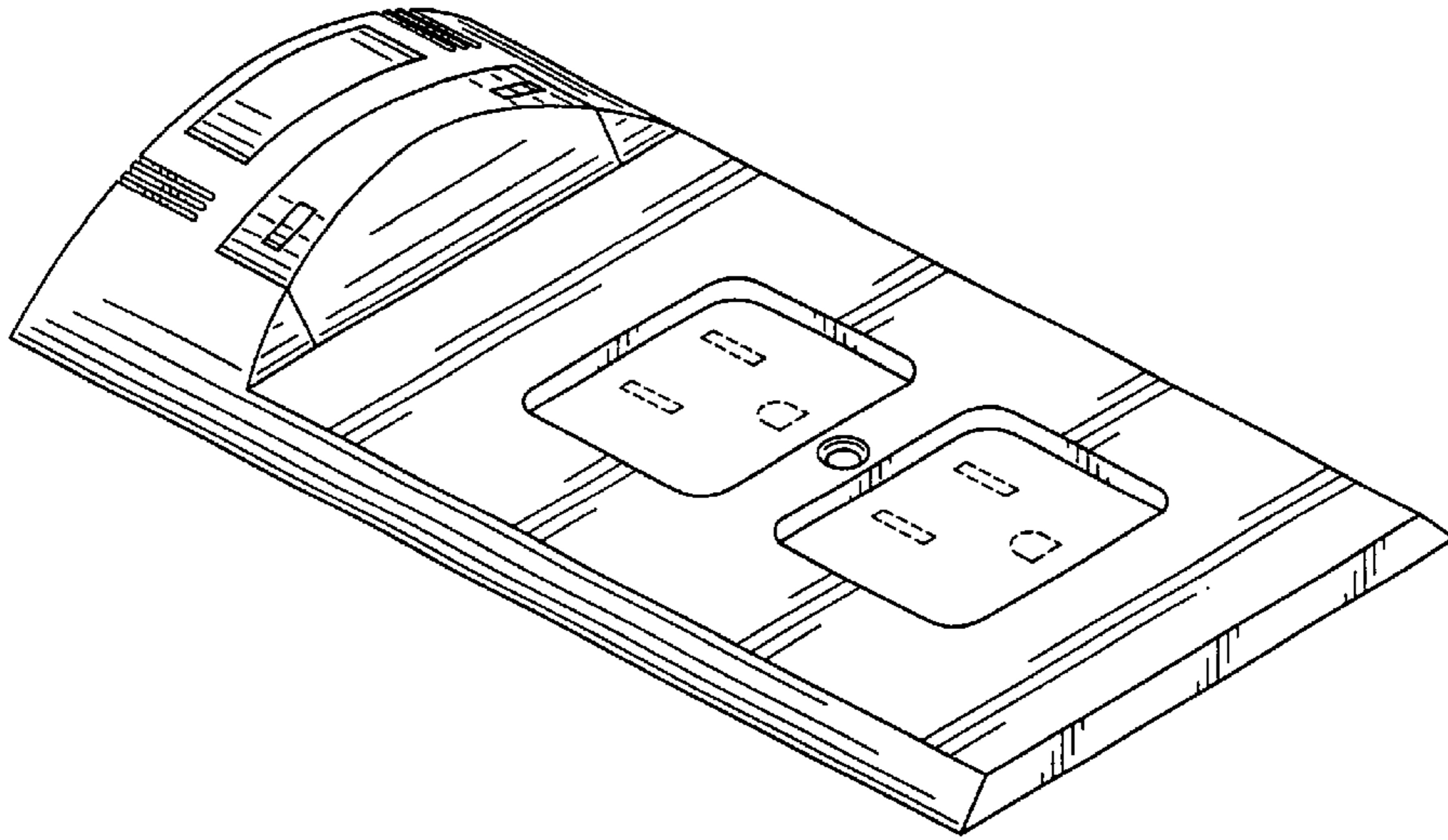


FIG. 5

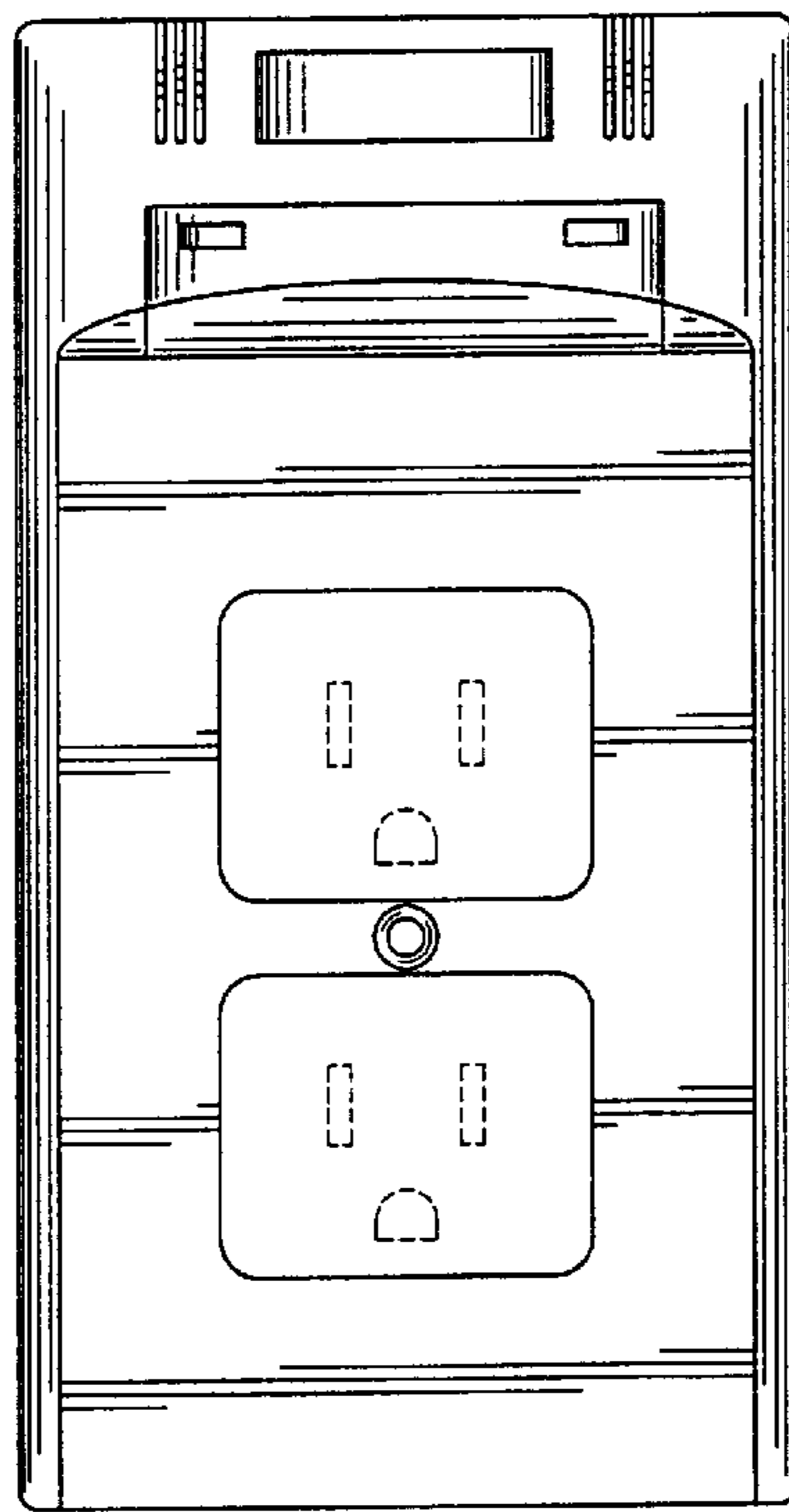


FIG. 6



FIG. 7

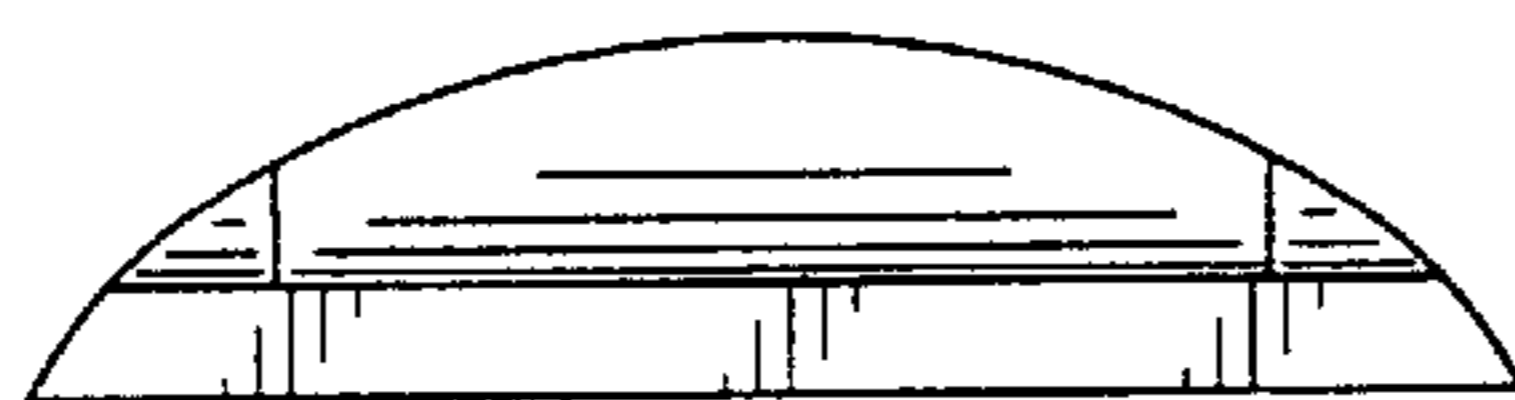


FIG. 8