



US00D443499S

(12) **United States Design Patent**
Gretz

(10) **Patent No.:** **US D443,499 S**

(45) **Date of Patent:** **** Jun. 12, 2001**

(54) **METER BASE MOUNTING BLOCK**

4,212,446 * 7/1980 Domanick et al. 248/678
5,966,881 * 10/1999 Kitagaki 248/346.01 X

(75) Inventor: **Thomas J. Gretz**, Clarks Summit, PA
(US)

* cited by examiner

Primary Examiner—Holly Baynham

(73) Assignee: **Arlington Industries, Inc.**, Scranton,
PA (US)

(57) **CLAIM**

(**) Term: **14 Years**

The ornamental design for a meter base mounting block, as shown.

(21) Appl. No.: **29/112,874**

DESCRIPTION

(22) Filed: **Oct. 25, 1999**

(51) **LOC (7) Cl.** **08-05**

(52) **U.S. Cl.** **D8/349**

(58) **Field of Search** D8/349, 354; 248/346.01,
248/346.02, 188.1

FIG. 1 is a perspective view of a meter base mounting block showing my new design;

FIG. 2 is a top plan view thereof;

FIG. 3 is a right side view thereof, the left side view being identical;

FIG. 4 is a top end view thereof, the bottom end view being identical; and,

FIG. 5 is a bottom plan view thereof.

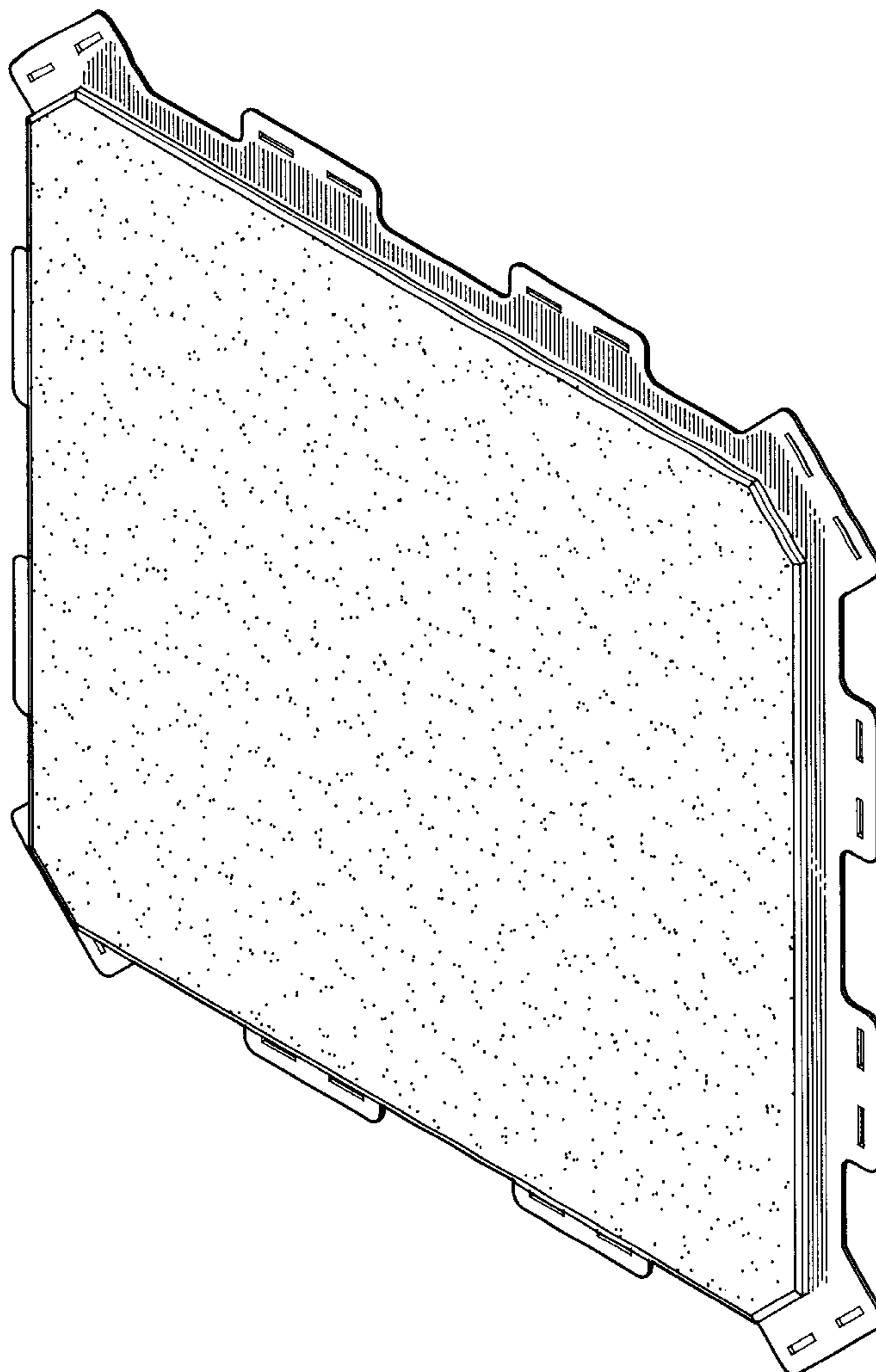
The contrasting shading shown in FIG. 2 represents surface embedding.

(56) **References Cited**

U.S. PATENT DOCUMENTS

D. 411,509 * 6/1999 Schlegel D8/349
3,046,843 * 7/1962 Rowe 248/346.02

1 Claim, 3 Drawing Sheets



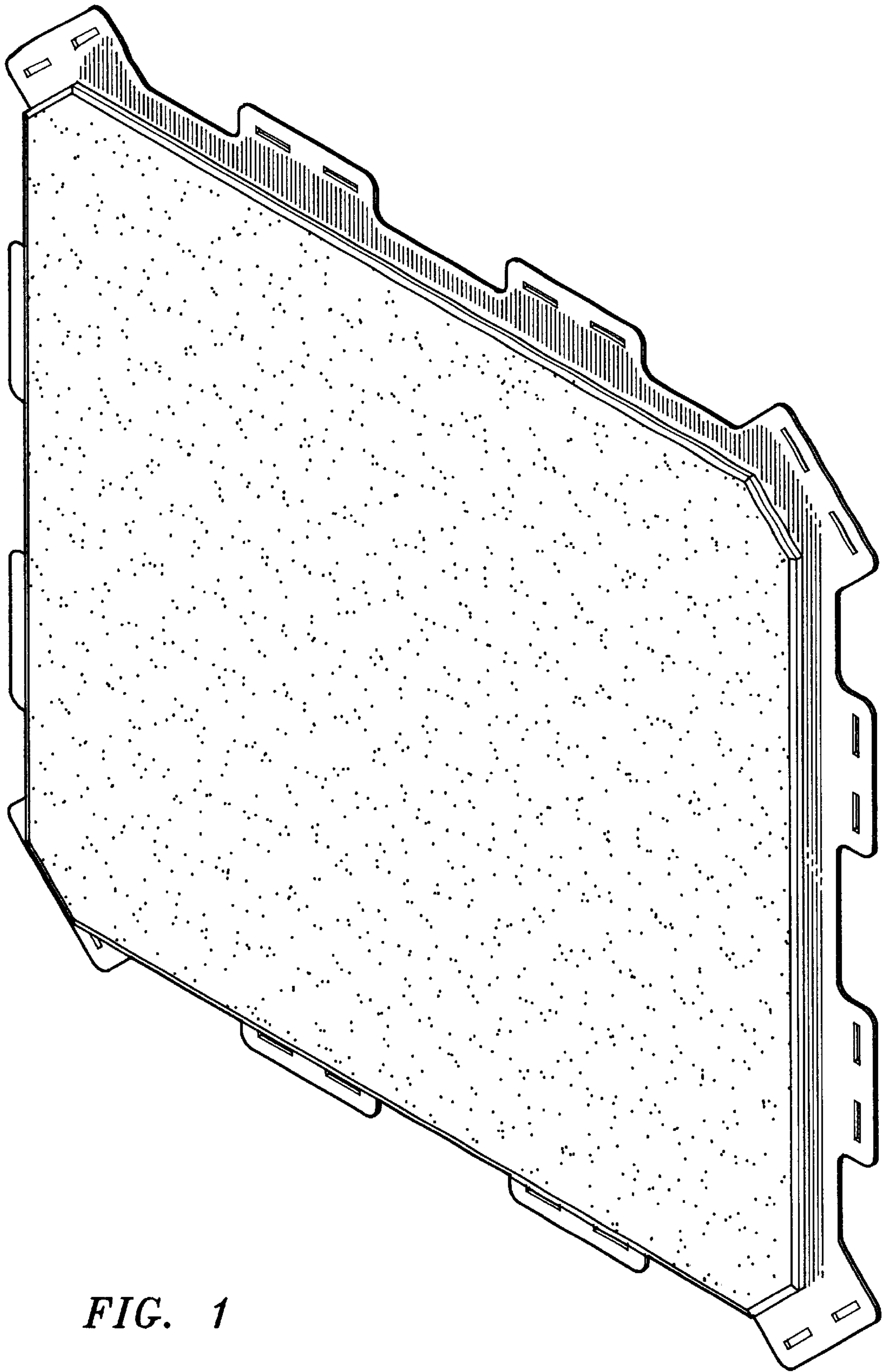


FIG. 1

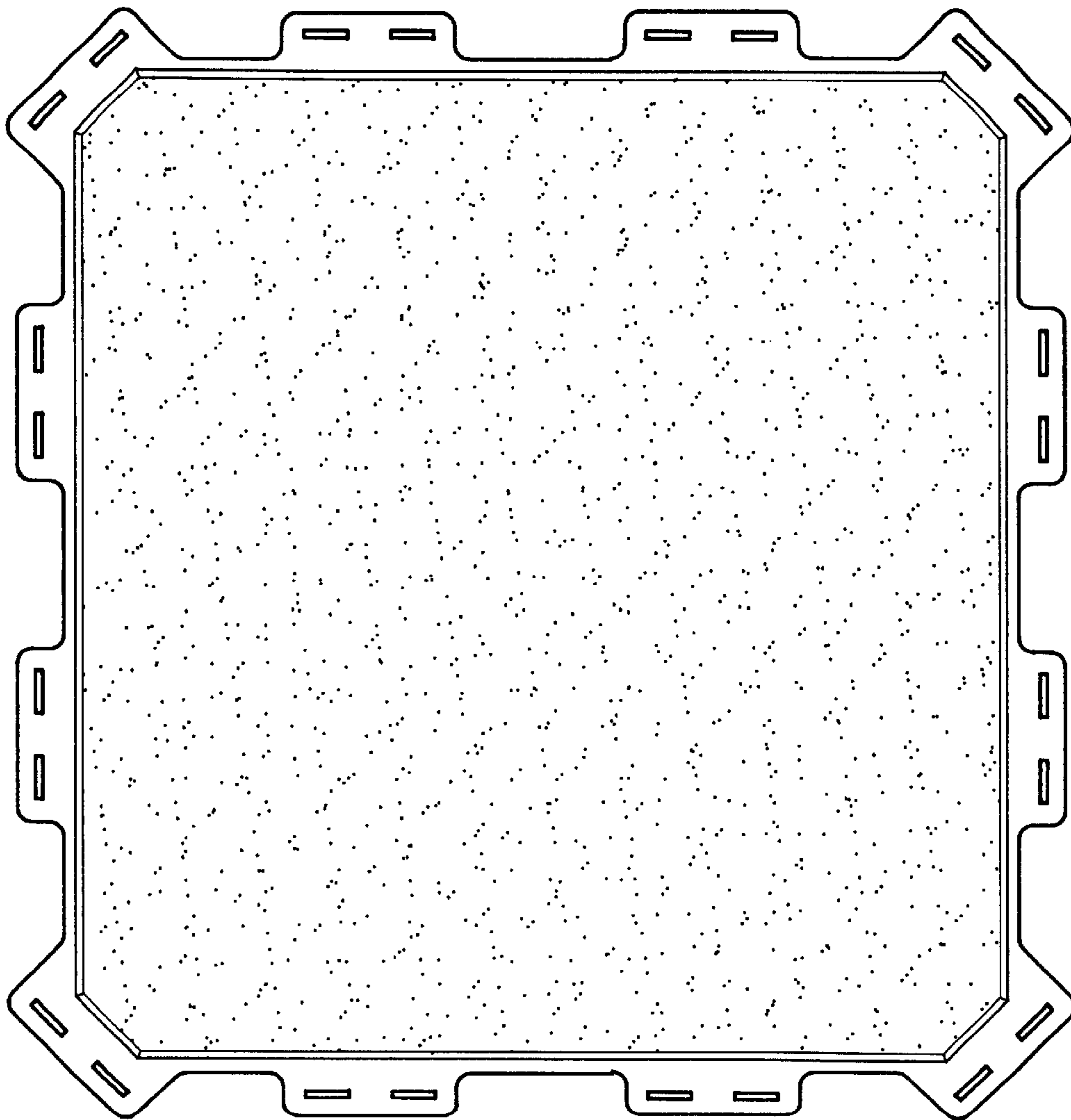


FIG. 2

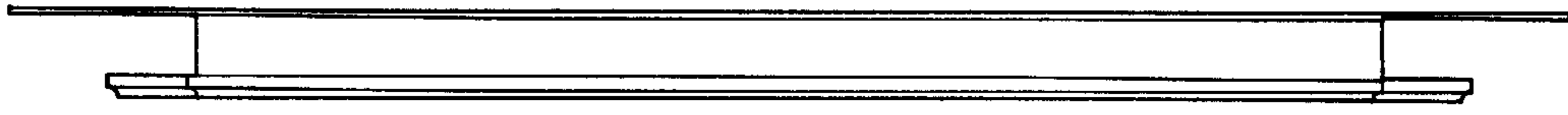


FIG. 3

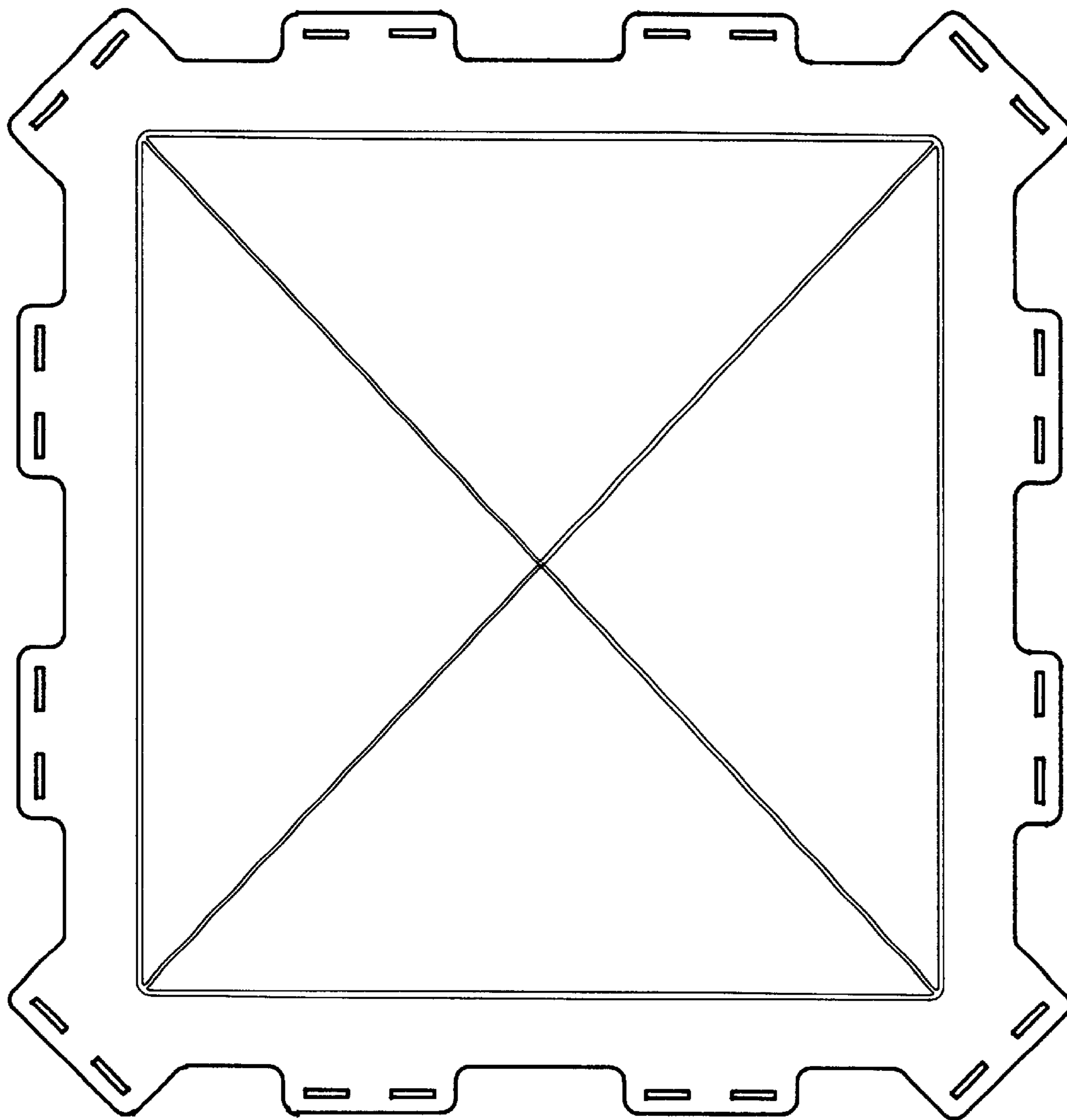


FIG. 4

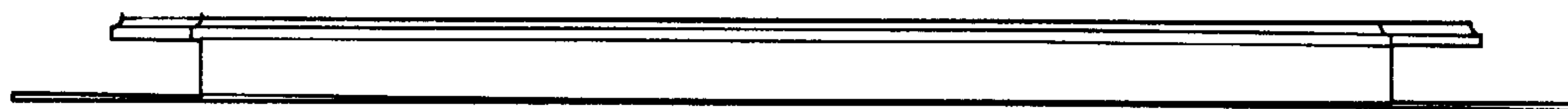


FIG. 5