



US00D443498S

(12) **United States Design Patent**
Finch

(10) **Patent No.:** **US D443,498 S**

(45) **Date of Patent:** **** Jun. 12, 2001**

(54) **KEY BOW**

4,870,842 * 10/1989 Plumer 70/232

(75) Inventor: **Glyn A. Finch**, Greenville County, SC (US)

OTHER PUBLICATIONS

Independent Lock, Catalog 21, "Key Blanks, Locksmith Supplies, Key Cutting Machines".

Jet, Catalog No. 596, "Opening the Doors of America . . .".

* cited by examiner

Primary Examiner—Brian N. Vinson

(74) *Attorney, Agent, or Firm*—Banner & Witcoff, Ltd.

(73) Assignee: **CompX International Inc.**, Mauldin, SC (US)

(**) Term: **14 Years**

(21) Appl. No.: **29/127,467**

(57) **CLAIM**

(22) Filed: **Aug. 7, 2000**

The ornamental design for a key bow, as shown and described.

(51) **LOC (7) Cl.** **08-07**

(52) **U.S. Cl.** **D8/347**

(58) **Field of Search** D8/347, 348; 70/336, 70/393, 395, 399, 344, 345, 402-408

DESCRIPTION

(56) **References Cited**

U.S. PATENT DOCUMENTS

D. 233,590	*	11/1974	Kerr	D8/347
D. 250,990	*	2/1979	Hanneman et al.	D8/347
D. 272,516	*	2/1984	Ohno	D8/347
D. 317,249	*	6/1991	Gitlin	D8/347
D. 357,622	*	4/1995	Boutin	D8/347
D. 424,911	*	5/2000	Geringer et al.	D8/347
D. 434,636	*	12/2000	Van Den Acker	D8/347

FIG. 1 is an isometric view of the key bow of the invention; FIG. 2 is a first side elevation of the key bow of FIG. 1; FIG. 3 is an end view of the key bow of FIG. 1; FIG. 4 is an opposite side view of the key bow of FIG. 1; and,

FIG. 5 is a rear end view of the key bow of FIG. 1.

The broken-line disclosure on the bow, and broken-line disclosure of the shank element in the views are for illustrative purposes only and form no part of the claimed design.

1 Claim, 1 Drawing Sheet

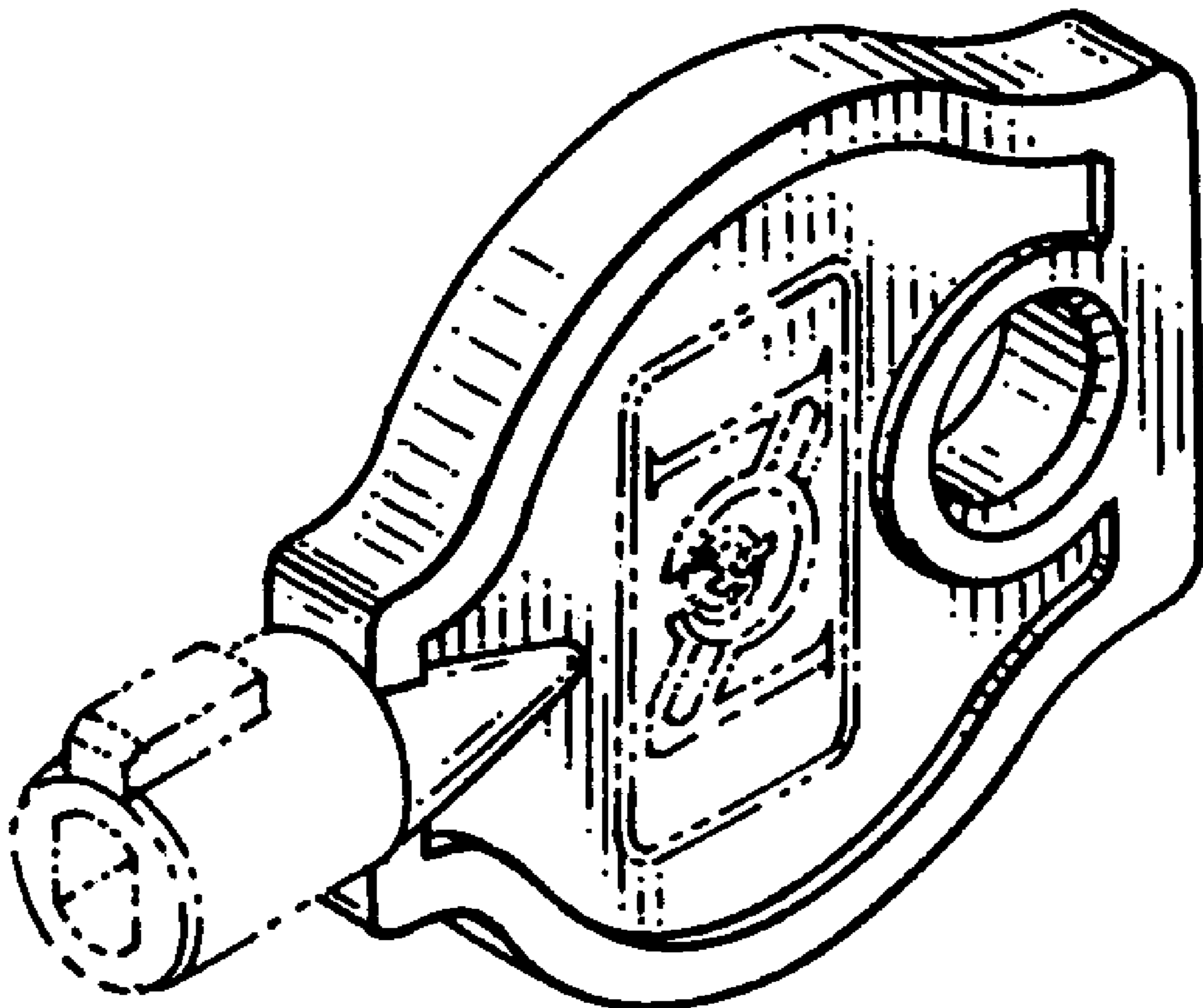


FIG.1

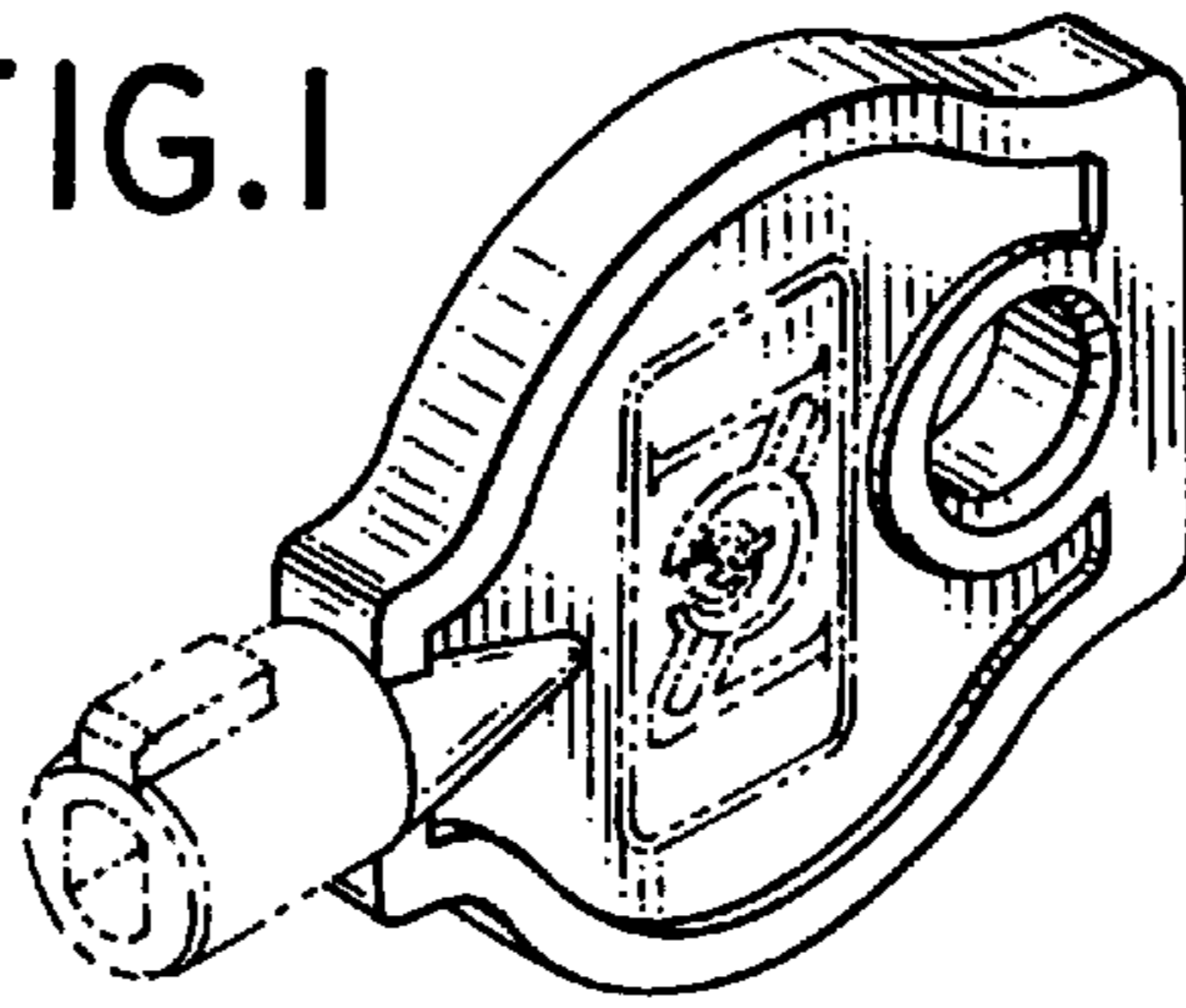


FIG.3

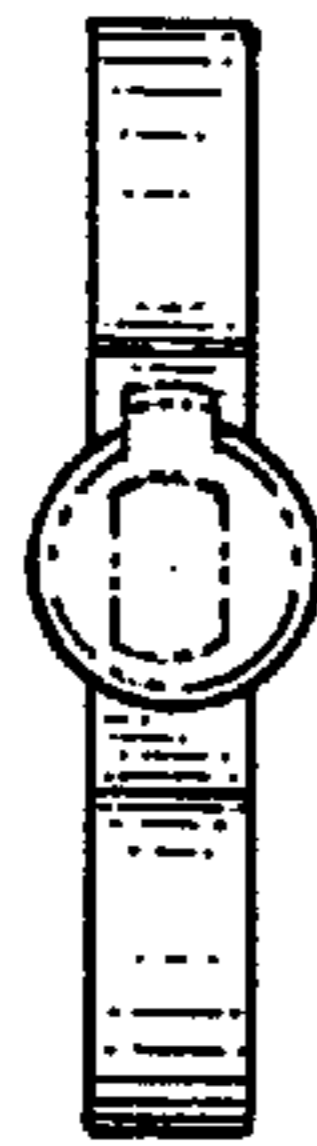


FIG.2

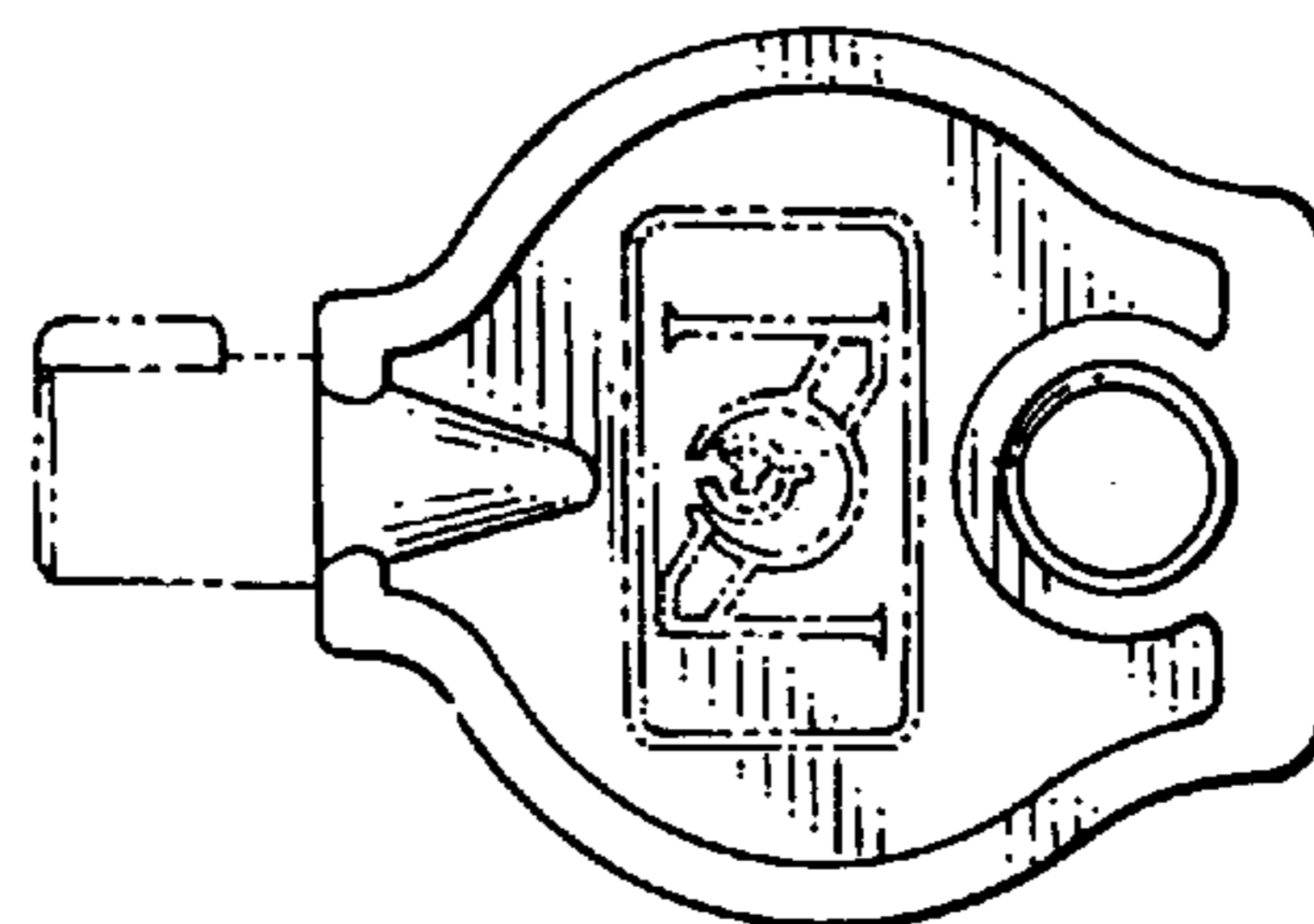


FIG.4

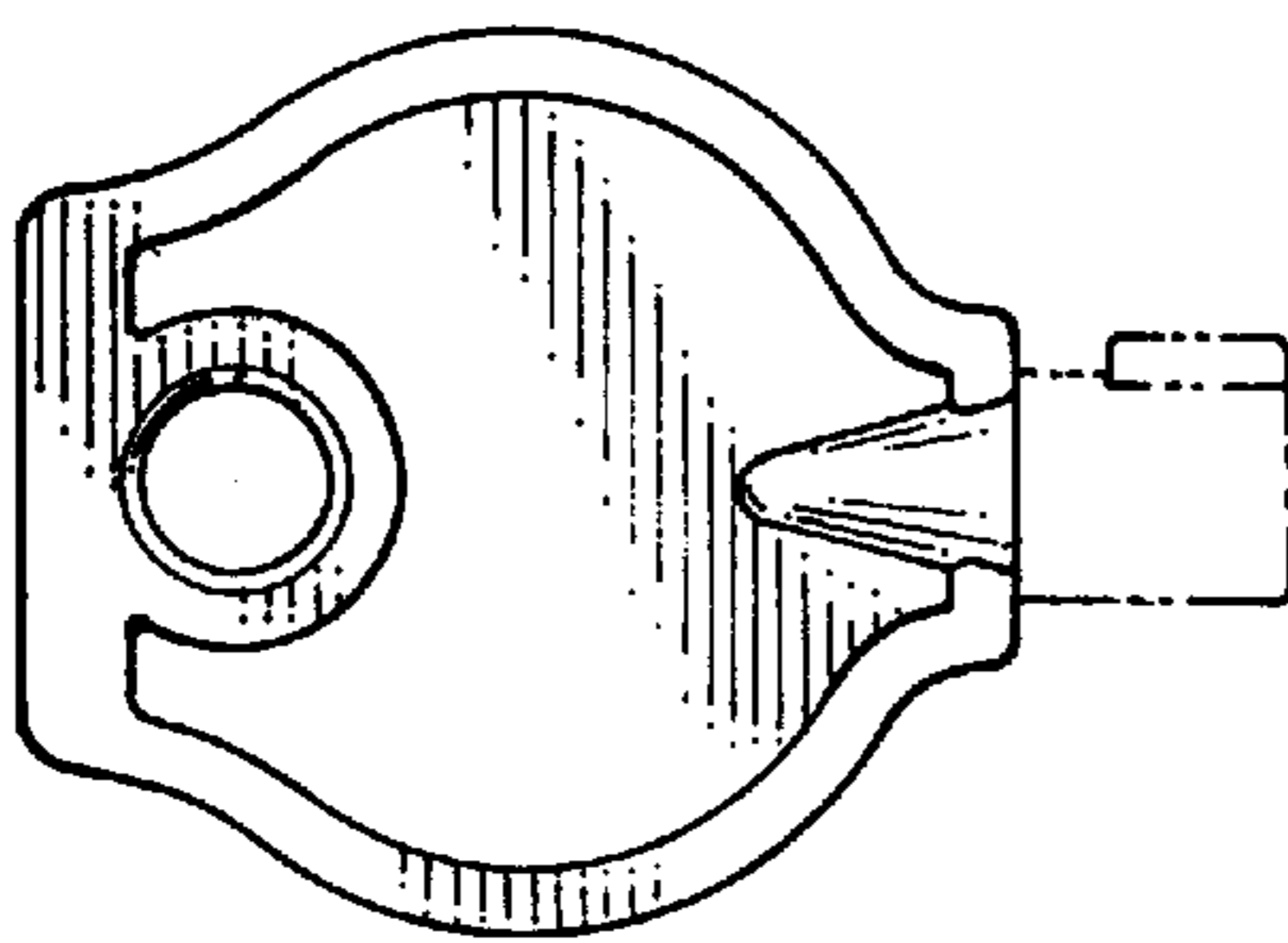


FIG.5

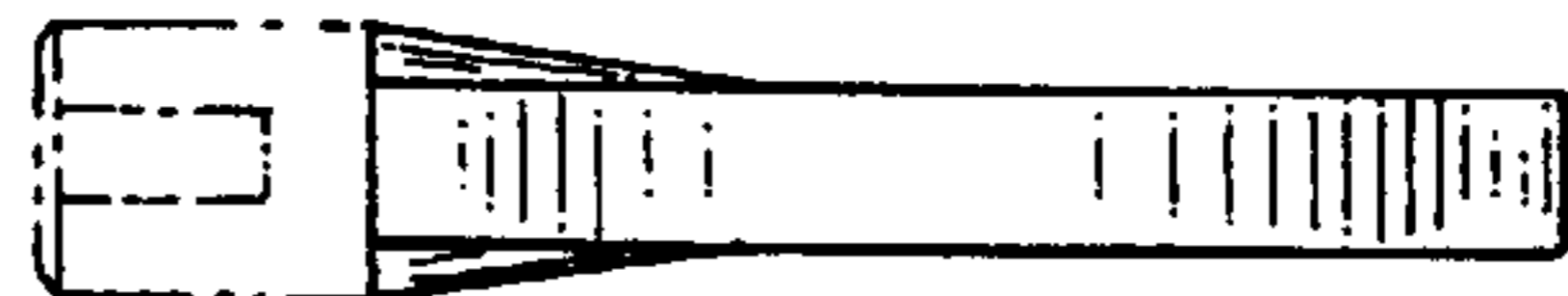


FIG.6

