



US00D443494S

(12) **United States Design Patent**
Okada

(10) **Patent No.:** **US D443,494 S**

(45) **Date of Patent:** **** Jun. 12, 2001**

(54) **CUTTER KNIFE**

(75) **Inventor:** **Shoji Okada, Sakai (JP)**

(73) **Assignee:** **Olfa Corporation (JP)**

(**) **Term:** **14 Years**

(21) **Appl. No.:** **29/120,018**

(22) **Filed:** **Mar. 13, 2000**

(51) **LOC (7) Cl.** **08-03**

(52) **U.S. Cl.** **D8/99; D8/98**

(58) **Field of Search** **D8/98, 99, 107;**
30/55, 162, 320, 329, 335, 337

(56) **References Cited**

U.S. PATENT DOCUMENTS

D. 264,799	*	6/1982	Osada	D8/99
D. 264,800	*	6/1982	Osada	D8/99
D. 264,801	*	6/1982	Osada	D8/99
D. 264,802	*	6/1982	Osada	D8/99
D. 264,803	*	6/1982	Machida	D8/99

D. 324,475	*	3/1992	Staubitz et al.	D8/99
D. 398,829	*	9/1998	Okada	D8/99
D. 412,655	*	8/1999	Gilbert et al.	D8/99
5,502,896	*	4/1996	Chen	30/162

* cited by examiner

Primary Examiner—Philip S. Hyder

(74) *Attorney, Agent, or Firm*—Ostrolenk, Faber, Gerb & Soffen, LLP

(57) **CLAIM**

The ornamental design for a cutter knife, as shown and described.

DESCRIPTION

FIG. 1 is a plan view of a cutter knife showing my new design;
 FIG. 2 is a front view thereof;
 FIG. 3 is a rear view thereof;
 FIG. 4 is a left end view thereof;
 FIG. 5 is a right end view thereof; and,
 FIG. 6 is a perspective view thereof.

1 Claim, 3 Drawing Sheets

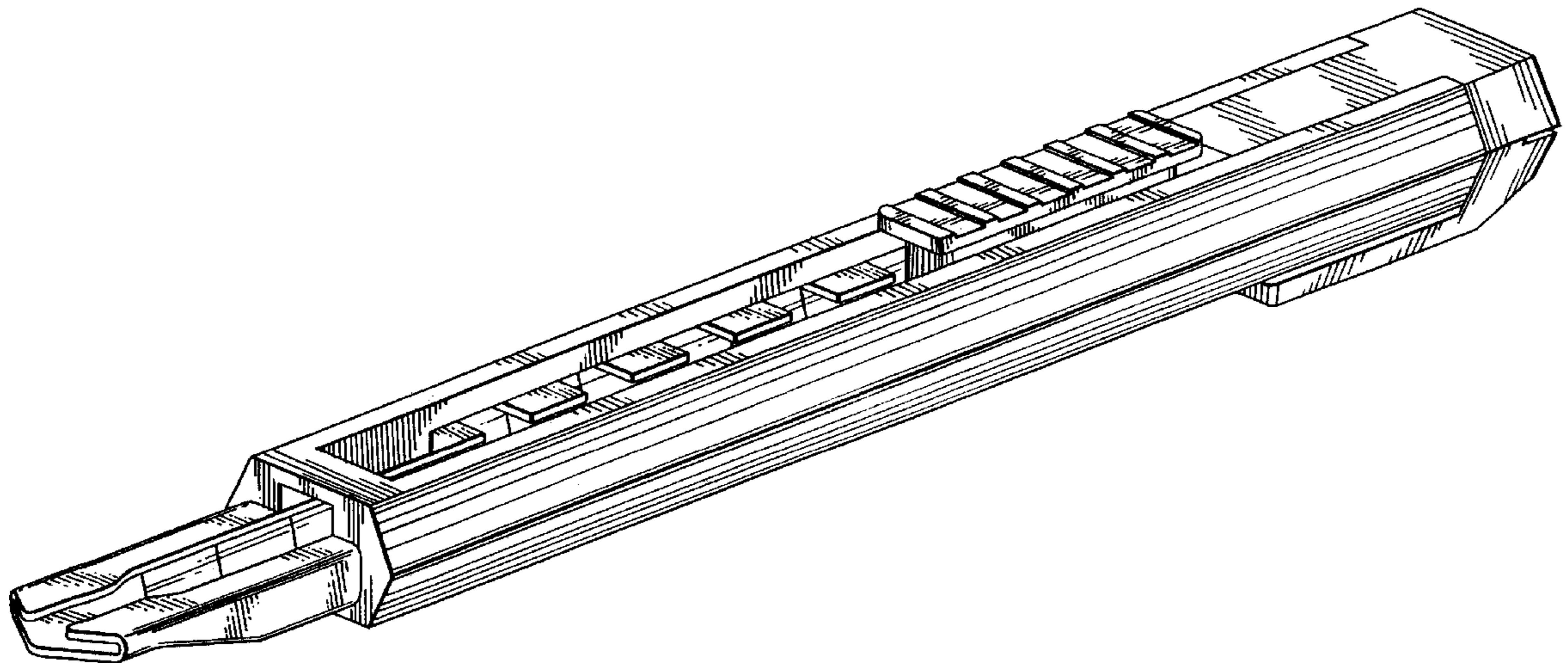


Fig. 1

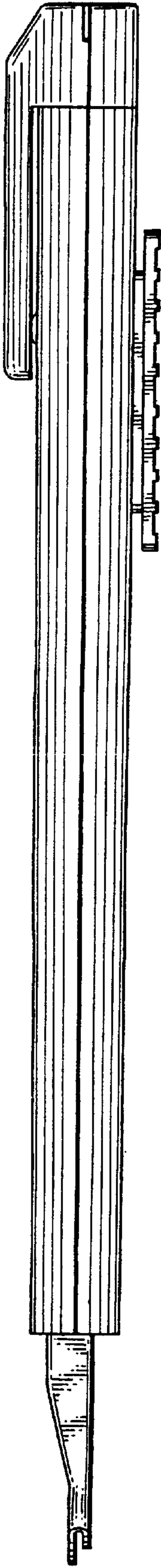


Fig. 2

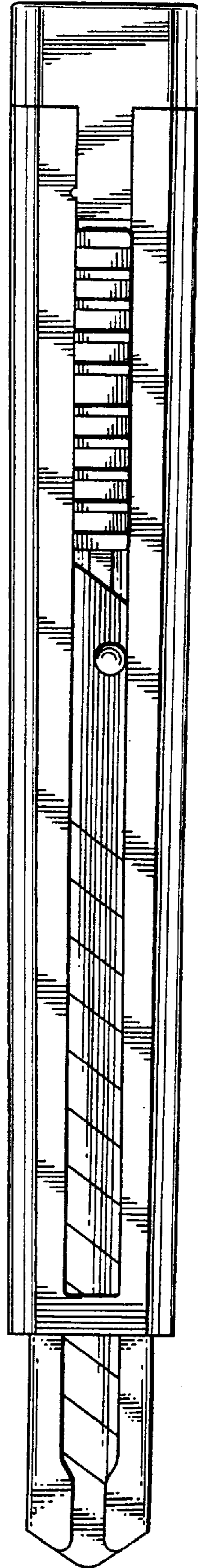


Fig. 3

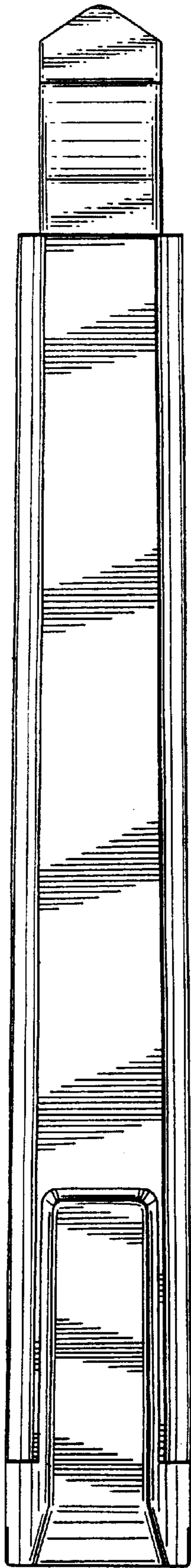


Fig. 5

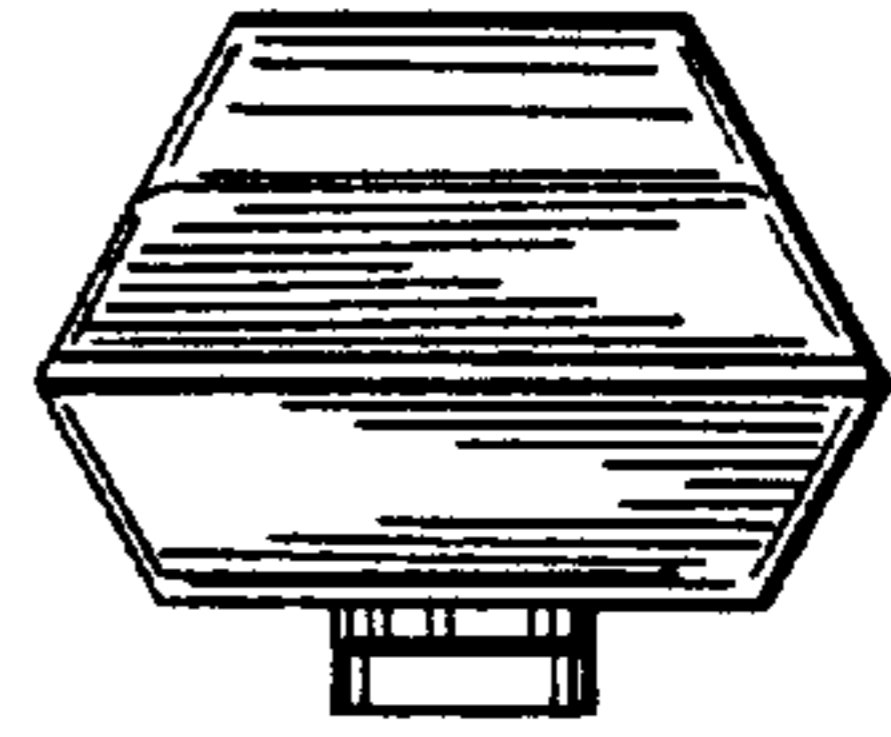
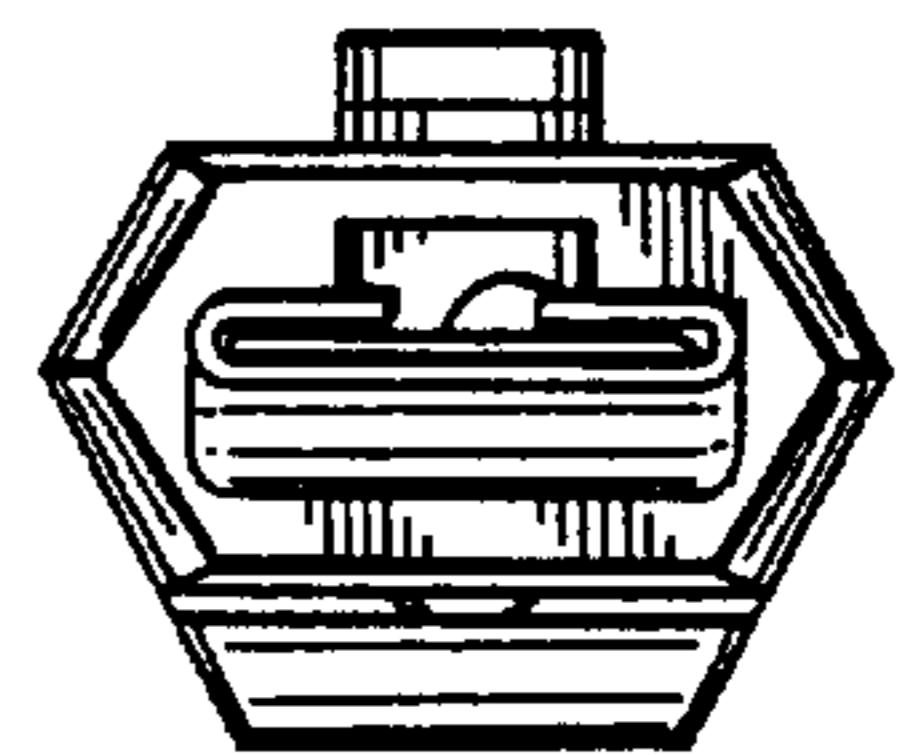


Fig. 4



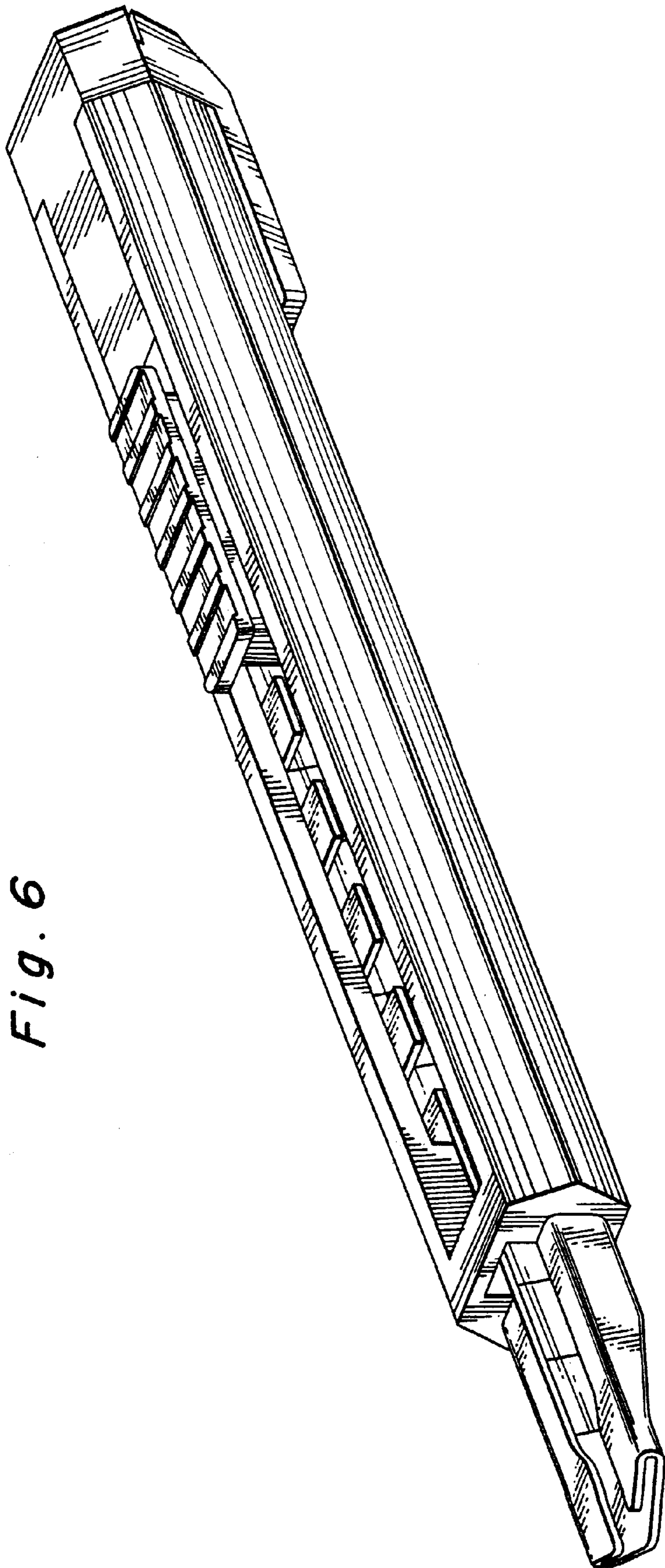


Fig. 6