



US00D443492S

(12) **United States Design Patent**
Cieri et al.

(10) **Patent No.:** **US D443,492 S**

(45) **Date of Patent:** **** Jun. 12, 2001**

(54) PALM SANDER	4,686,797	8/1987	Hoffman	51/170
	4,854,085	8/1989	Huber	51/170
(75) Inventors: Mark A. Cieri; Edward C. Eardley, both of Easton, PA (US)	4,879,847	11/1989	Butzen et al.	51/170
	5,319,888	6/1994	Huber et al.	51/170
	5,411,386	5/1995	Huber et al.	418/149
(73) Assignee: Ingersoll-Rand Company, Woodcliff Lake, NJ (US)	5,538,040	7/1996	Huber et al.	137/614.19
	5,582,541	12/1996	Hutchins	451/357
(**) Term: 14 Years	5,595,530 *	1/1997	Heidelberger	451/356
	5,823,862 *	10/1998	Heidelberger	451/344

OTHER PUBLICATIONS

ASH Mail Order Catalog No. 32, p. 525-V, ©1981.
 Campbell Industrial Supply Co. General Catalog, p. 411,
 1982.
 Automotive Power Tools, Ingersoll-Rand Catalog, 1992, p.
 34.
 Automotive Air Tools, Chicago Pneumatic Catalog, Mar.
 1990, p. 36.

* cited by examiner

Primary Examiner—Martie K. Holtje
 (74) *Attorney, Agent, or Firm*—Leon Nigohosian, Jr.

- (21) Appl. No.: **29/107,164**
- (22) Filed: **Jun. 29, 1999**
- (51) **LOC (7) Cl.** **08-01**
- (52) **U.S. Cl.** **D8/62**
- (58) **Field of Search** D8/61, 62, 67,
D8/70, DIG. 7; 451/48, 103, 108, 109,
111, 119, 162, 177, 259, 270, 344, 351-353,
357-359, 356, 456

(56) **References Cited**

U.S. PATENT DOCUMENTS

D. 256,881	9/1980	Hutchins	D8/62
D. 260,847	9/1981	Biederman	D8/62
D. 324,800	3/1992	Butzen et al.	D8/62
D. 332,559	1/1993	Miyoshi et al.	D8/62
D. 334,126 *	3/1993	Huber et al.	D8/62
D. 344,878	3/1994	Izumisawa	D8/64
D. 347,561	6/1994	Huber et al.	D8/62
D. 350,266	9/1994	Huber et al.	D8/62
D. 350,886 *	9/1994	Huber et al.	D8/62
D. 351,976 *	11/1994	Morey et al.	D8/62
D. 353,310	12/1994	Izumisawa	D8/62
D. 353,311	12/1994	Izumisawa	D8/62
D. 357,163	4/1995	Izumisawa	D8/62
D. 377,892	2/1997	Sung	D8/62
D. 378,728 *	4/1997	Seith et al.	D8/62
D. 427,498 *	7/2000	Price et al.	D8/62
3,287,859	11/1966	Leveque	51/120
3,546,822	12/1970	Hutchins	51/170
3,857,206	12/1974	Heffran, Jr.	51/170
4,102,083	7/1978	Stern	51/170
4,531,329 *	7/1985	Huber	451/456
4,622,782	11/1986	Roestenberg	51/273
4,660,329	4/1987	Hutchins	51/170
4,671,019	6/1987	Hutchins	51/170

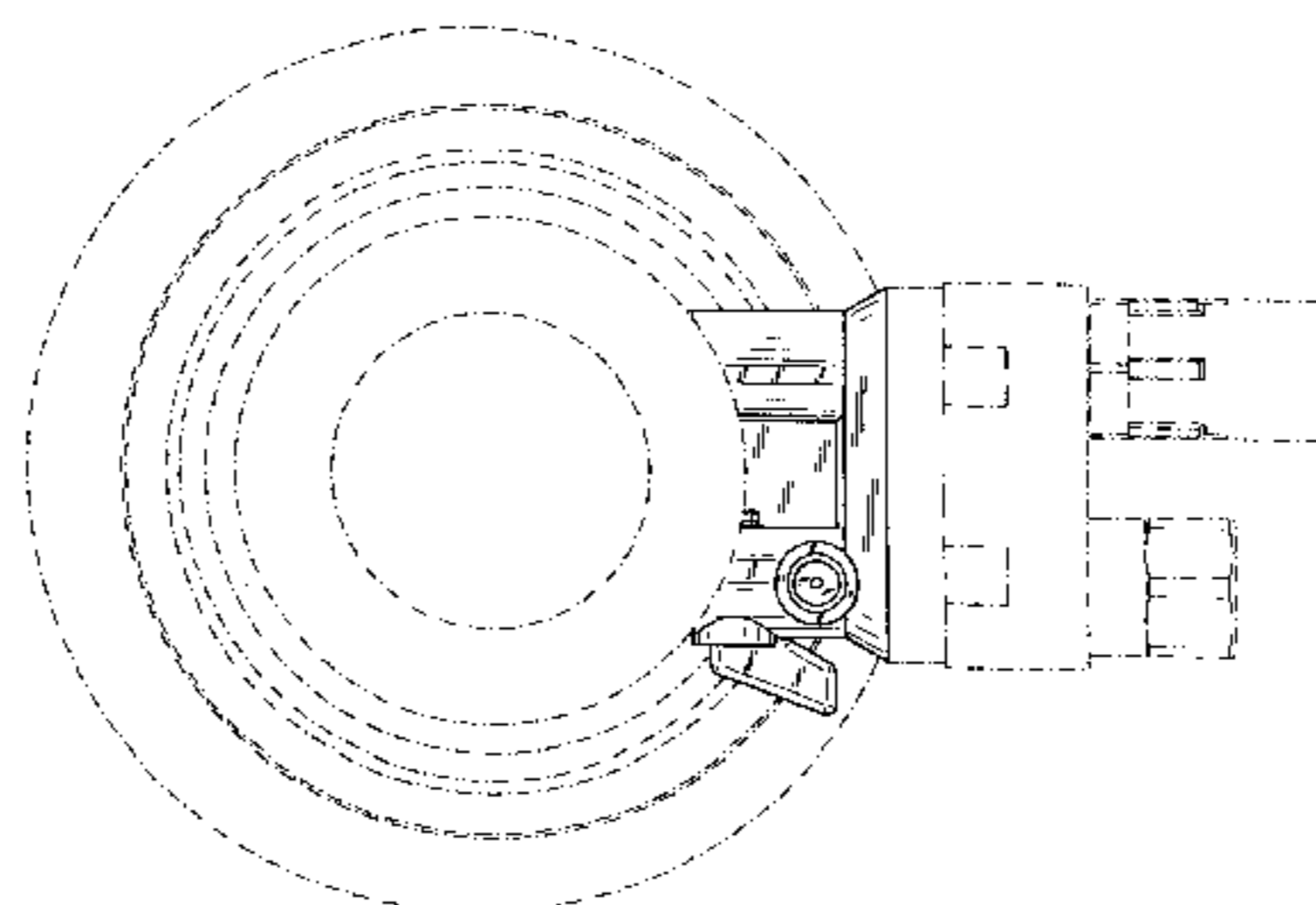
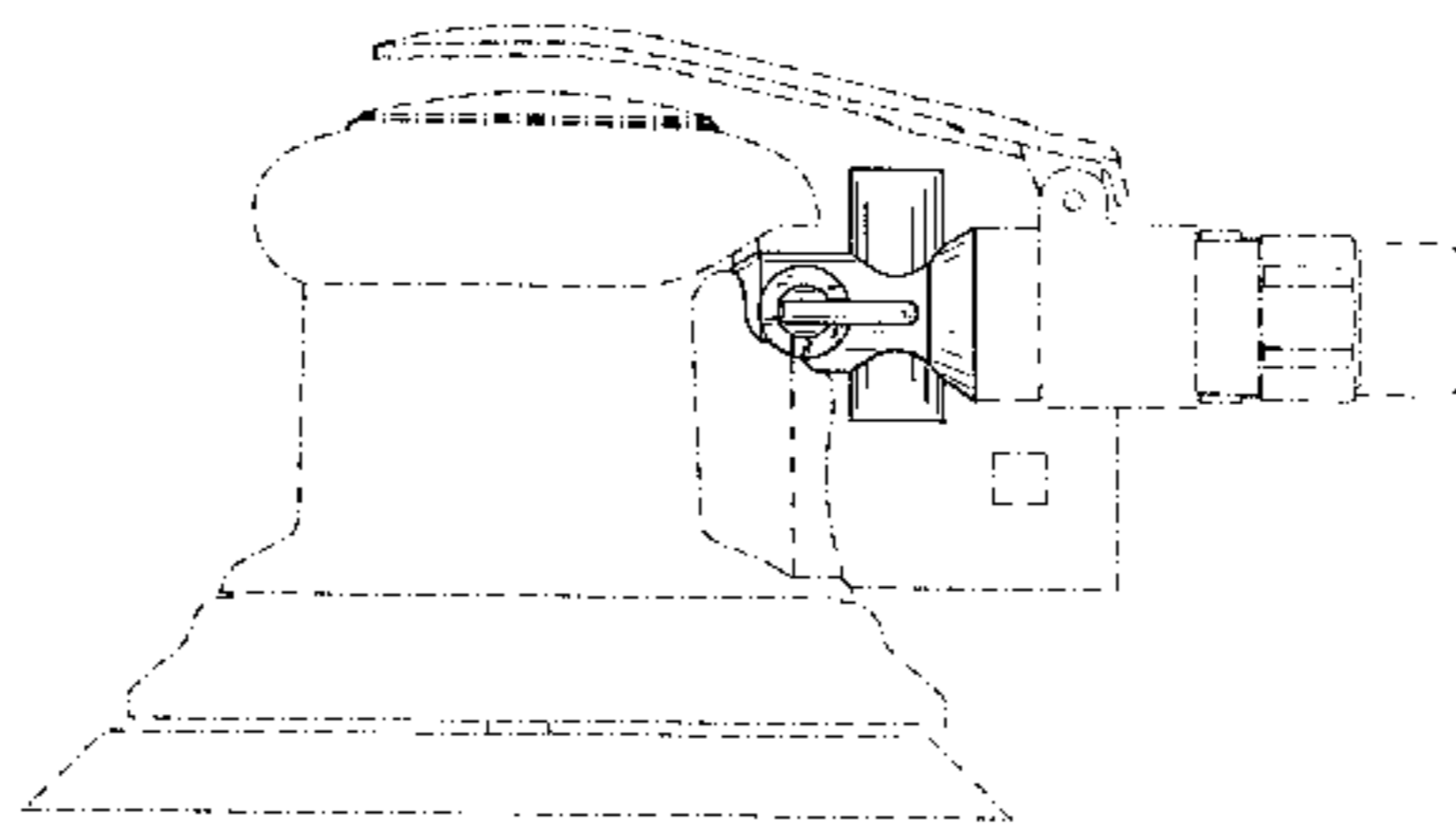
(57) **CLAIM**

The ornamental design of a palm sander, as shown and described.

DESCRIPTION

FIG. 1 is a front elevation view of a palm sander according to the present invention;
 FIG. 2 is a right side elevation view of a palm sander according to the present invention;
 FIG. 3 is a left side elevation view of a palm sander according to the present invention;
 FIG. 4 is a top plan view of a palm sander according to the present invention;
 FIG. 5 is a bottom view of a palm sander according to the present invention; and,
 FIG. 6 is a rear elevation view of a palm sander according to the present invention.
 The structural features depicted by means of broken lines in the drawing figures have been shown for illustrative purposes only and form no part of the claimed design.

1 Claim, 3 Drawing Sheets



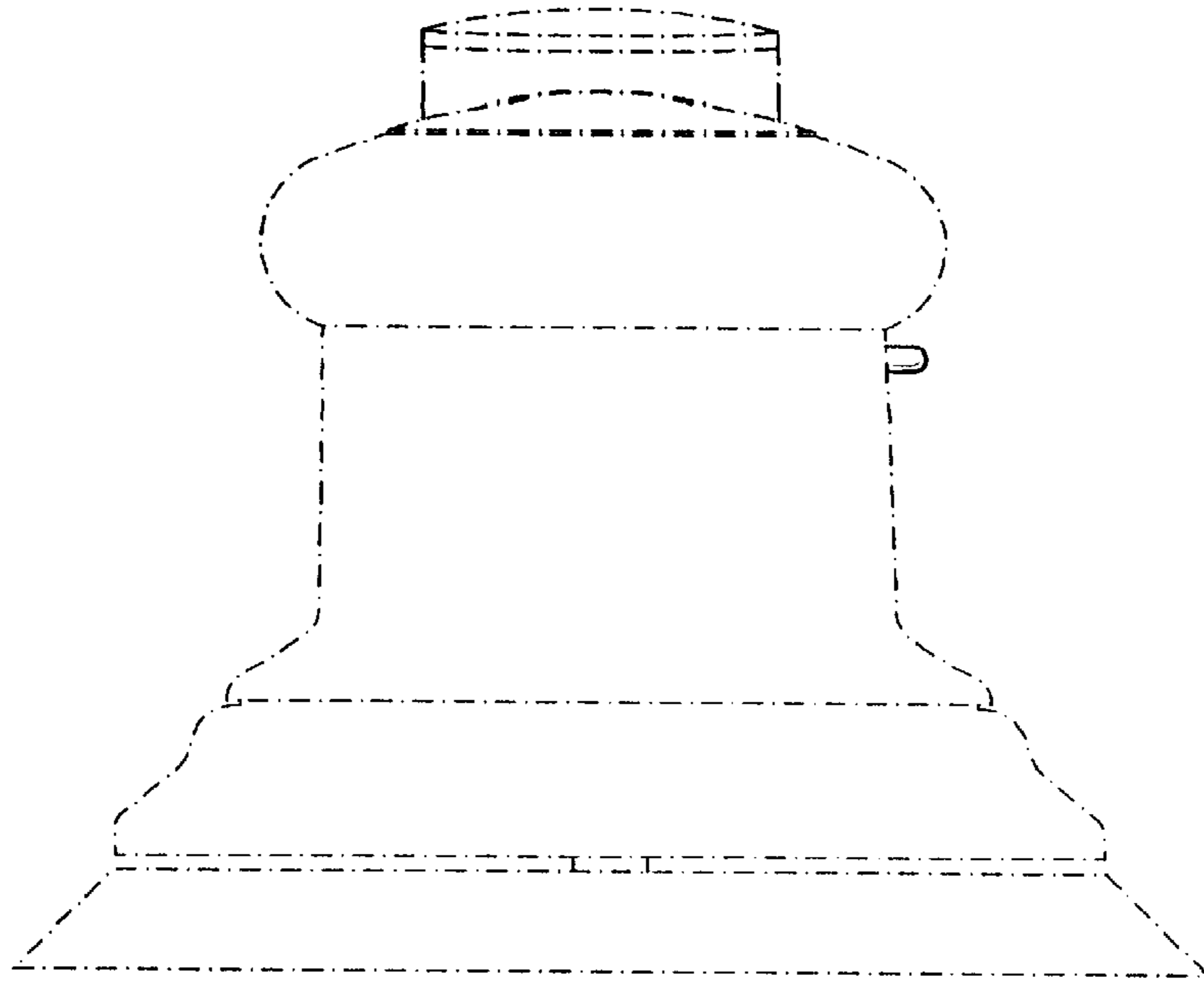


FIG. 1

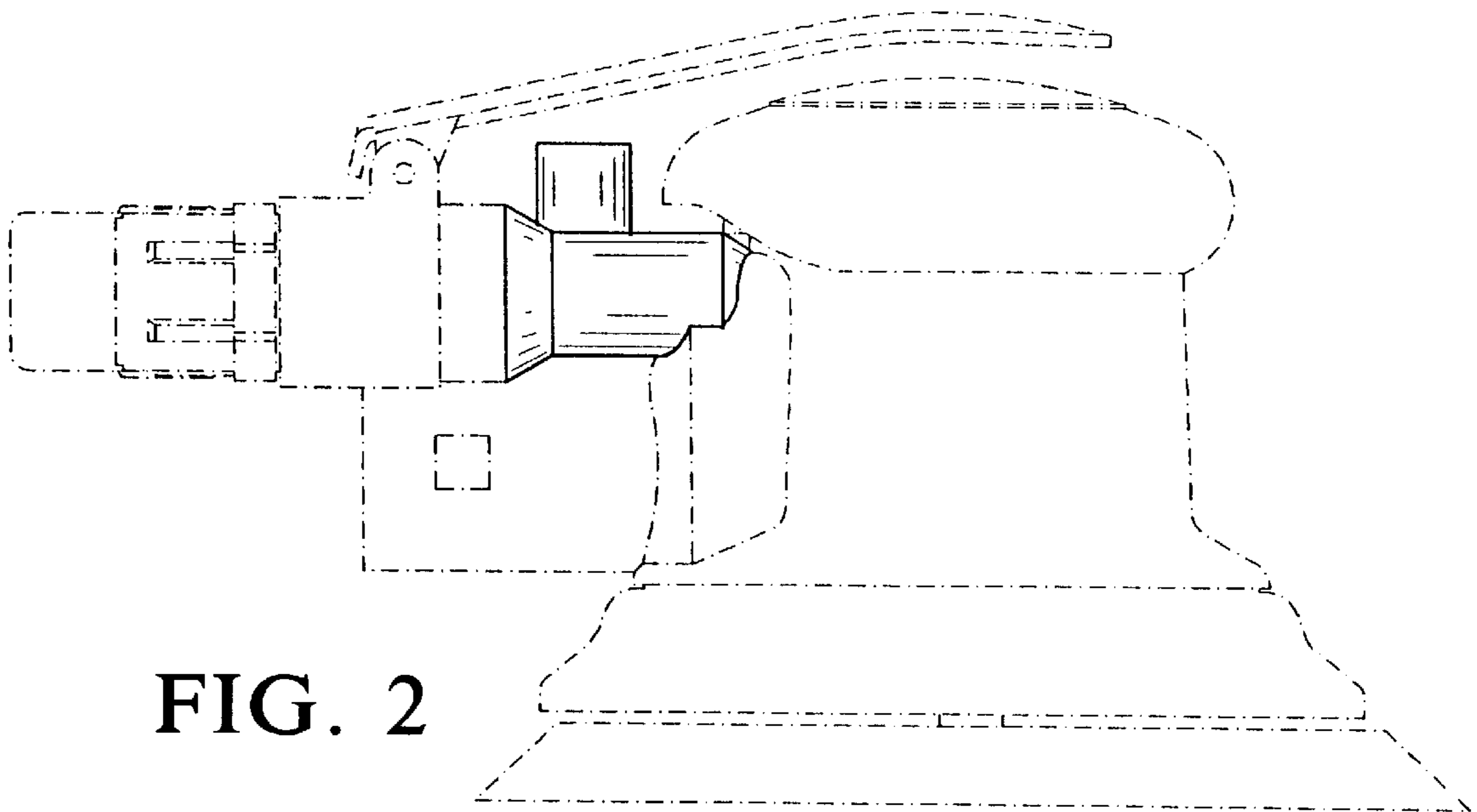


FIG. 2

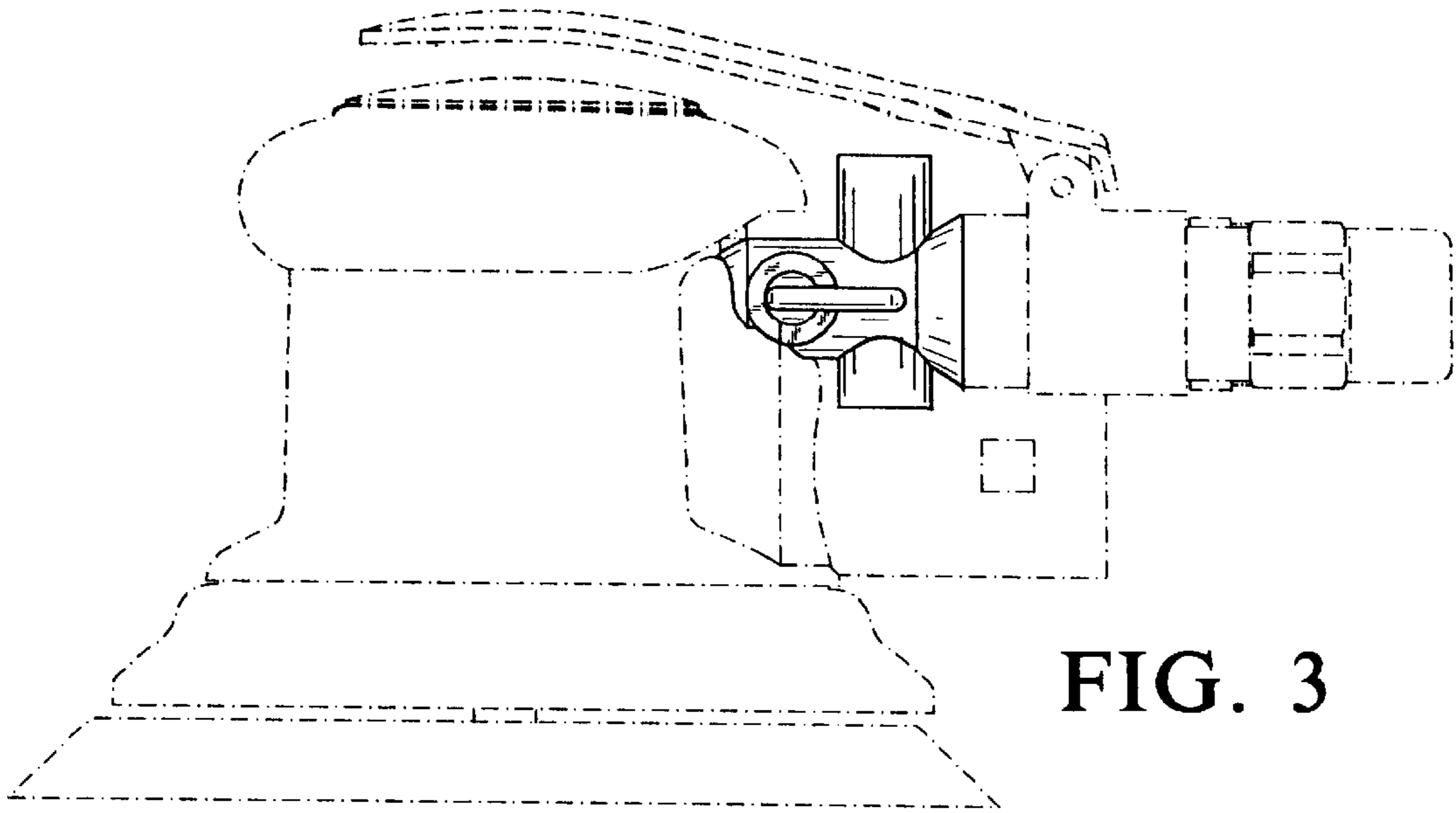


FIG. 3

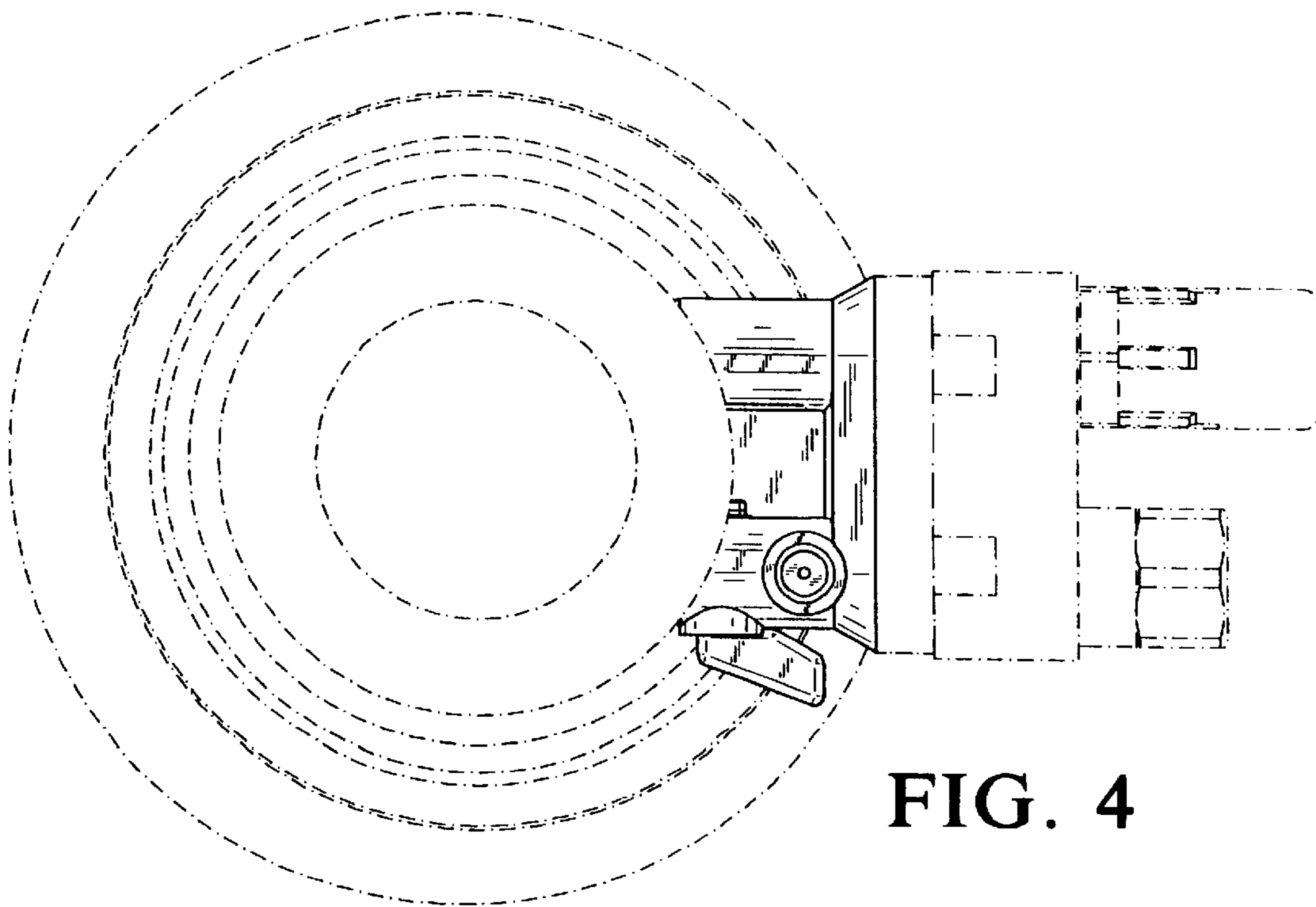


FIG. 4

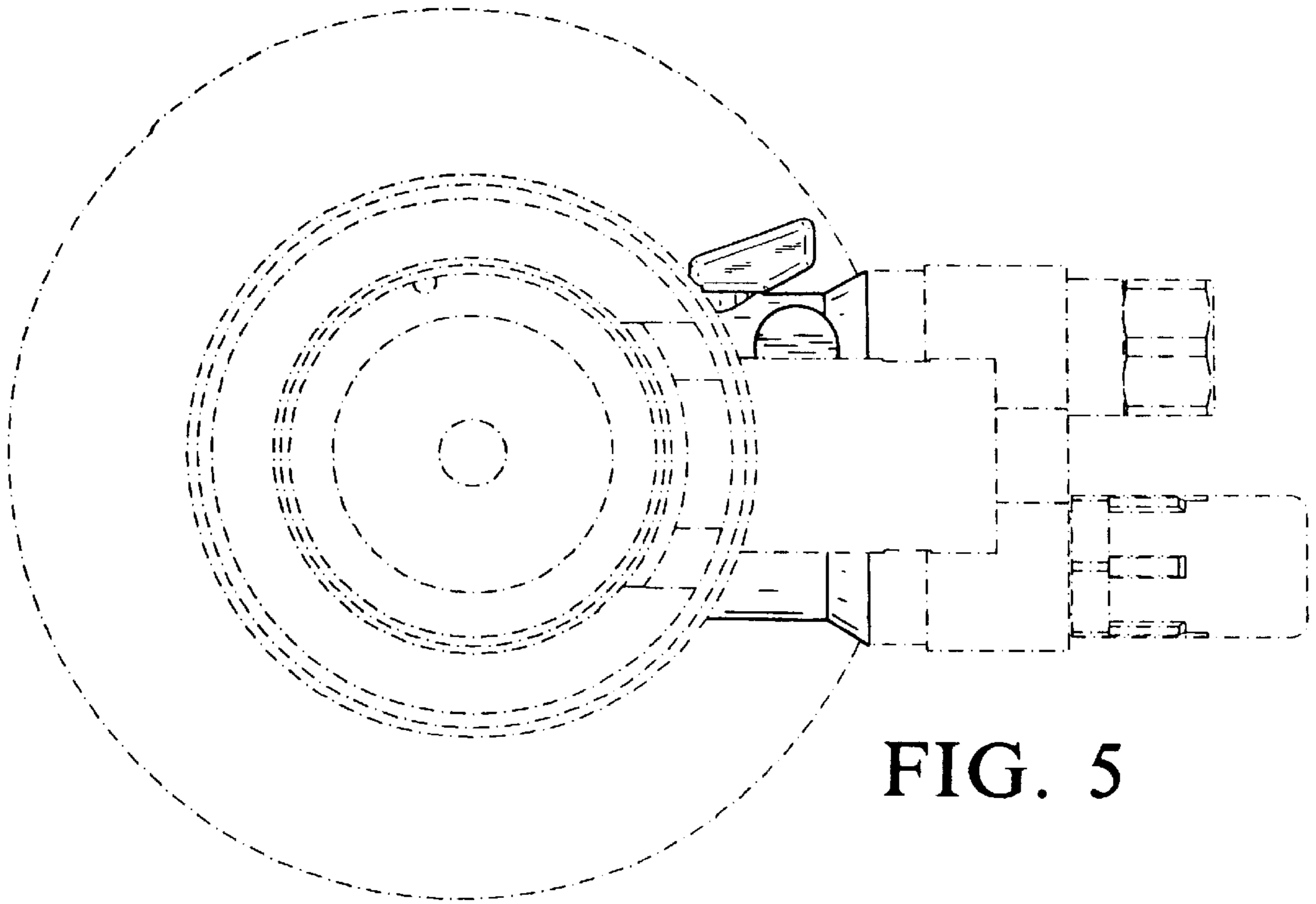


FIG. 5

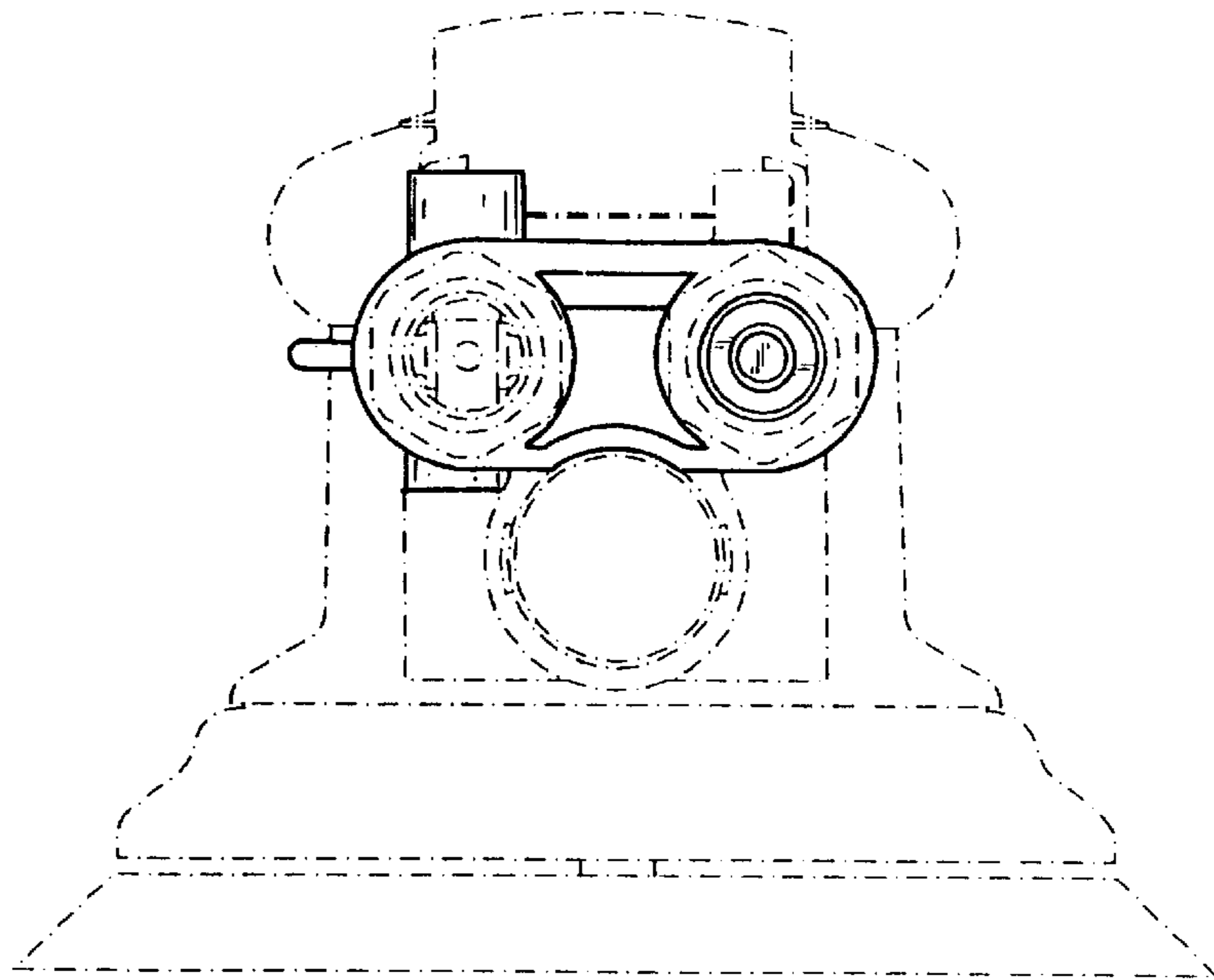


FIG. 6