



US00D443489S

(12) **United States Design Patent**  
**Walser**

(10) **Patent No.:** **US D443,489 S**  
(45) **Date of Patent:** **\*\* Jun. 12, 2001**

(54) **HAND CARRYING DEVICE FOR PLATES**

**FOREIGN PATENT DOCUMENTS**

(75) Inventor: **Franz Walser**, Vorarlberg (AT)

389288 11/1989 (AT) .

48873 9/1909 (CH) .

(73) Assignee: **Walter Zimmermann GmbH**,  
Vorarlberg (AT)

1 261074 2/1968 (DE) .

(\*\*) Term: **14 Years**

\* cited by examiner

*Primary Examiner*—Philip S. Hyder

(74) *Attorney, Agent, or Firm*—Helfgott & Karas, PC.

(21) Appl. No.: **29/117,025**

(57) **CLAIM**

(22) Filed: **Jan. 13, 2000**

The ornamental design for a hand carrying device for plates,  
as shown and described.

(51) **LOC (7) Cl.** ..... **08-05**

(52) **U.S. Cl.** ..... **D8/51; D8/71**

(58) **Field of Search** ..... D8/14, 71; 294/16,  
294/101, 114, 116, 104, 164, 168

**DESCRIPTION**

(56) **References Cited**

**U.S. PATENT DOCUMENTS**

2,360,602	*	10/1944	Waldrup	.....	294/901
2,986,422	*	5/1961	Renfro	.....	294/901
3,239,263	*	3/1966	Farmer et al.	.....	294/114
3,653,708	*	4/1972	Merola	.....	294/114
4,013,202	*	3/1977	Russo	.....	294/16
5,226,688	*	7/1993	Russo et al.	.....	294/16

FIG. 1 is a front perspective view of a first embodiment of  
my design;

FIG. 2 is a front view thereof;

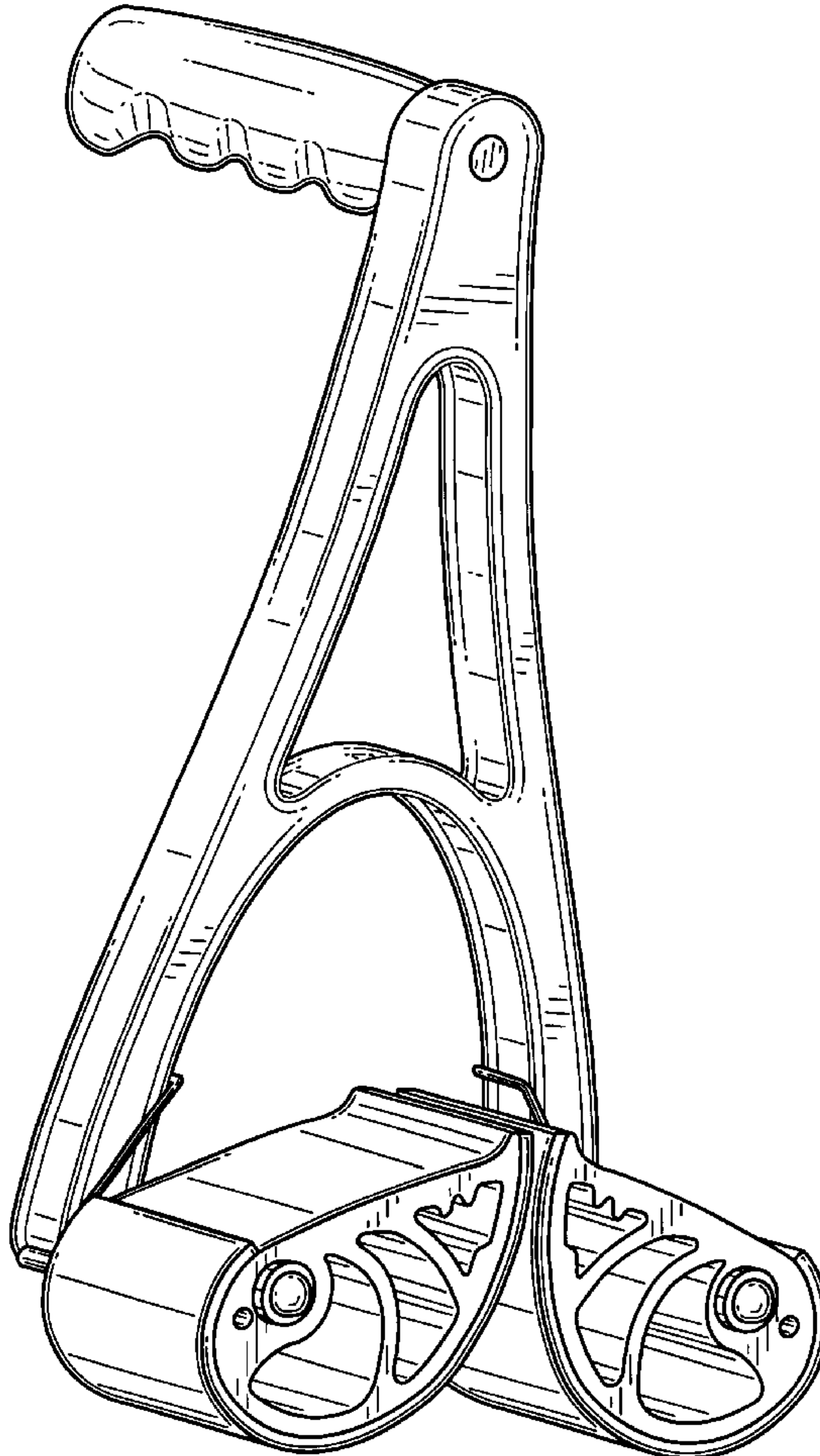
FIG. 3 is a rear view thereof;

FIG. 4 is a side view thereof, the other side being identical  
thereto;

FIG. 5 is a top view thereof; and,

FIG. 6 is a bottom view thereof.

**1 Claim, 6 Drawing Sheets**



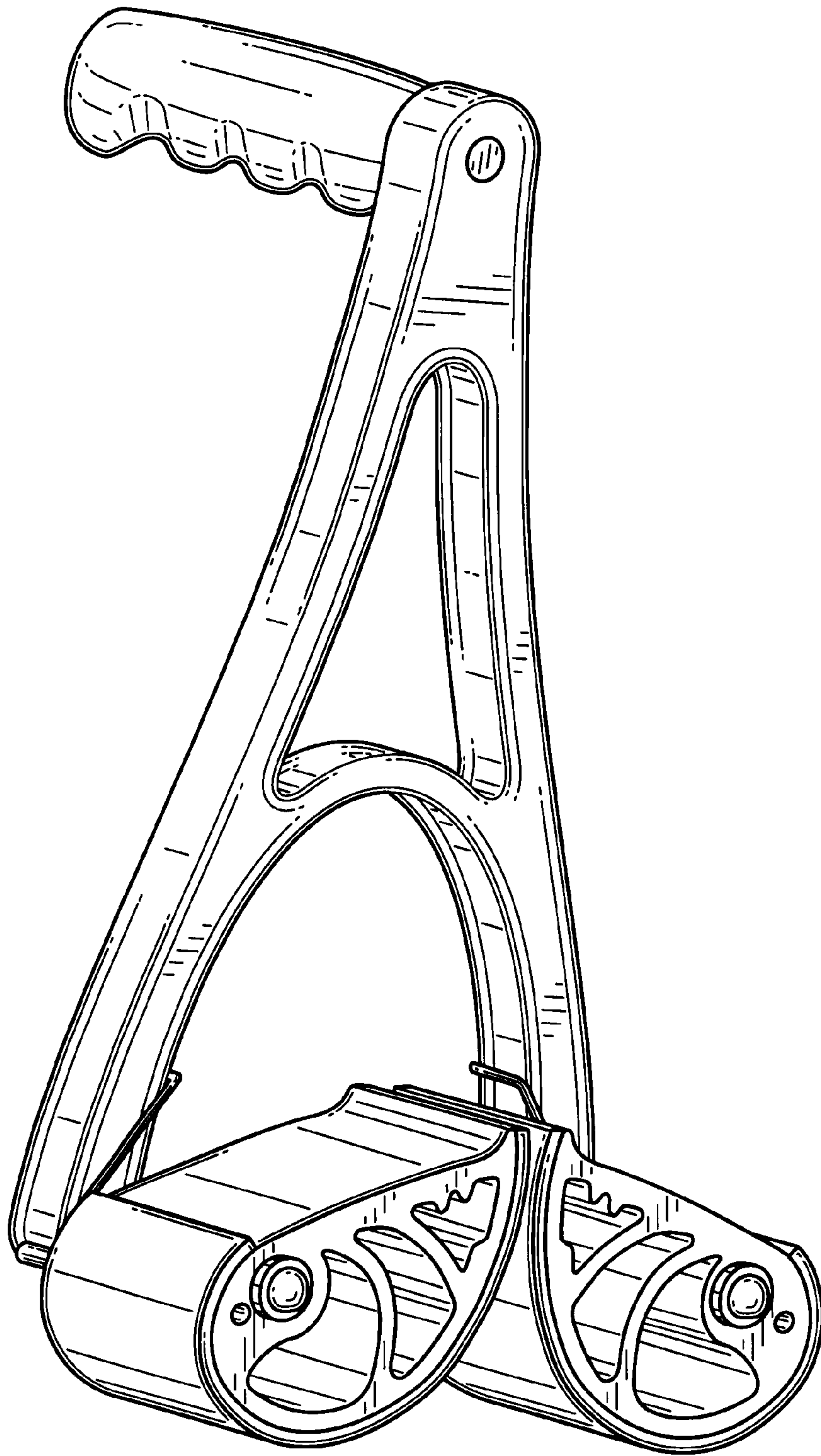


FIG. 1

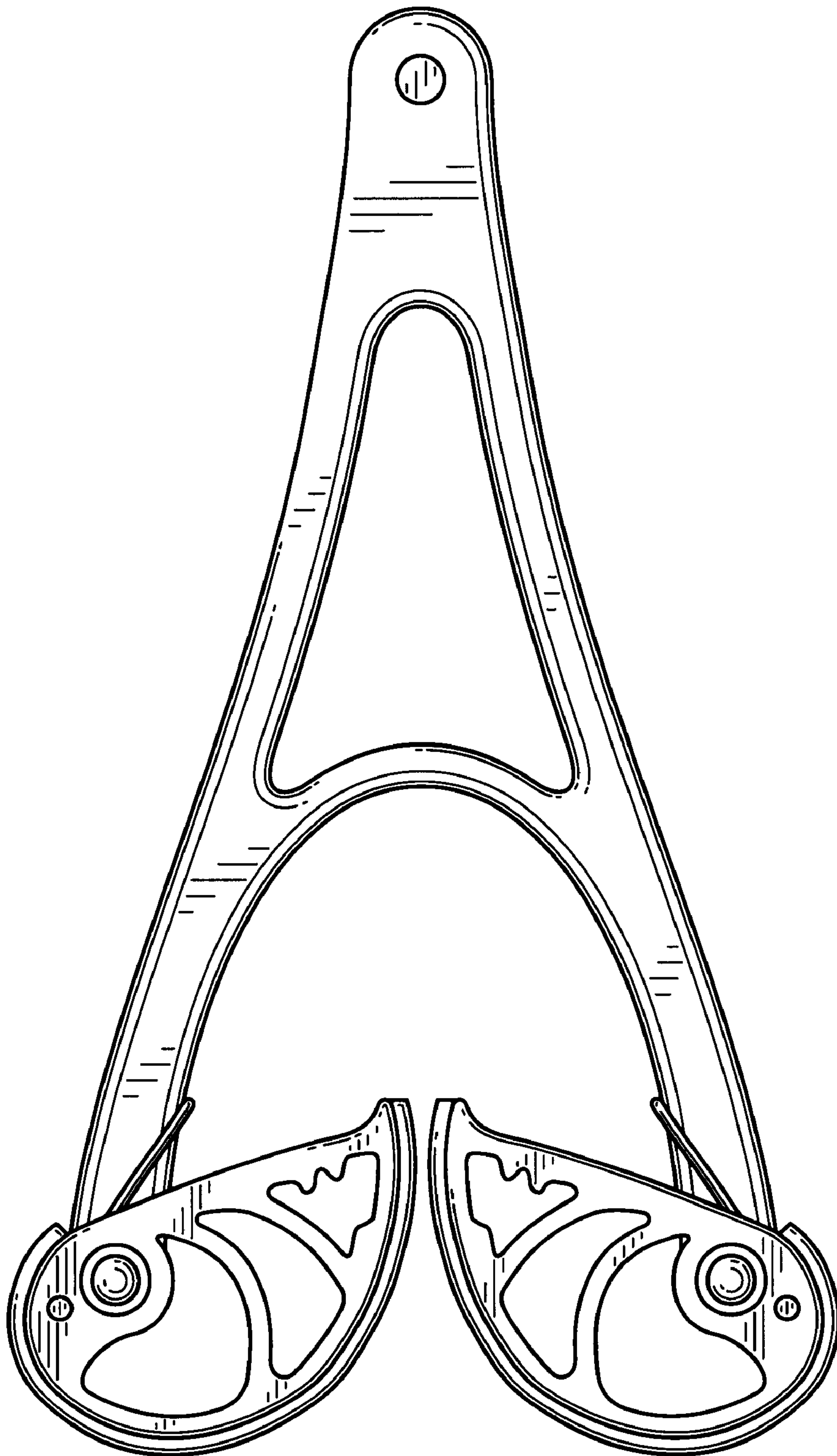


FIG. 2

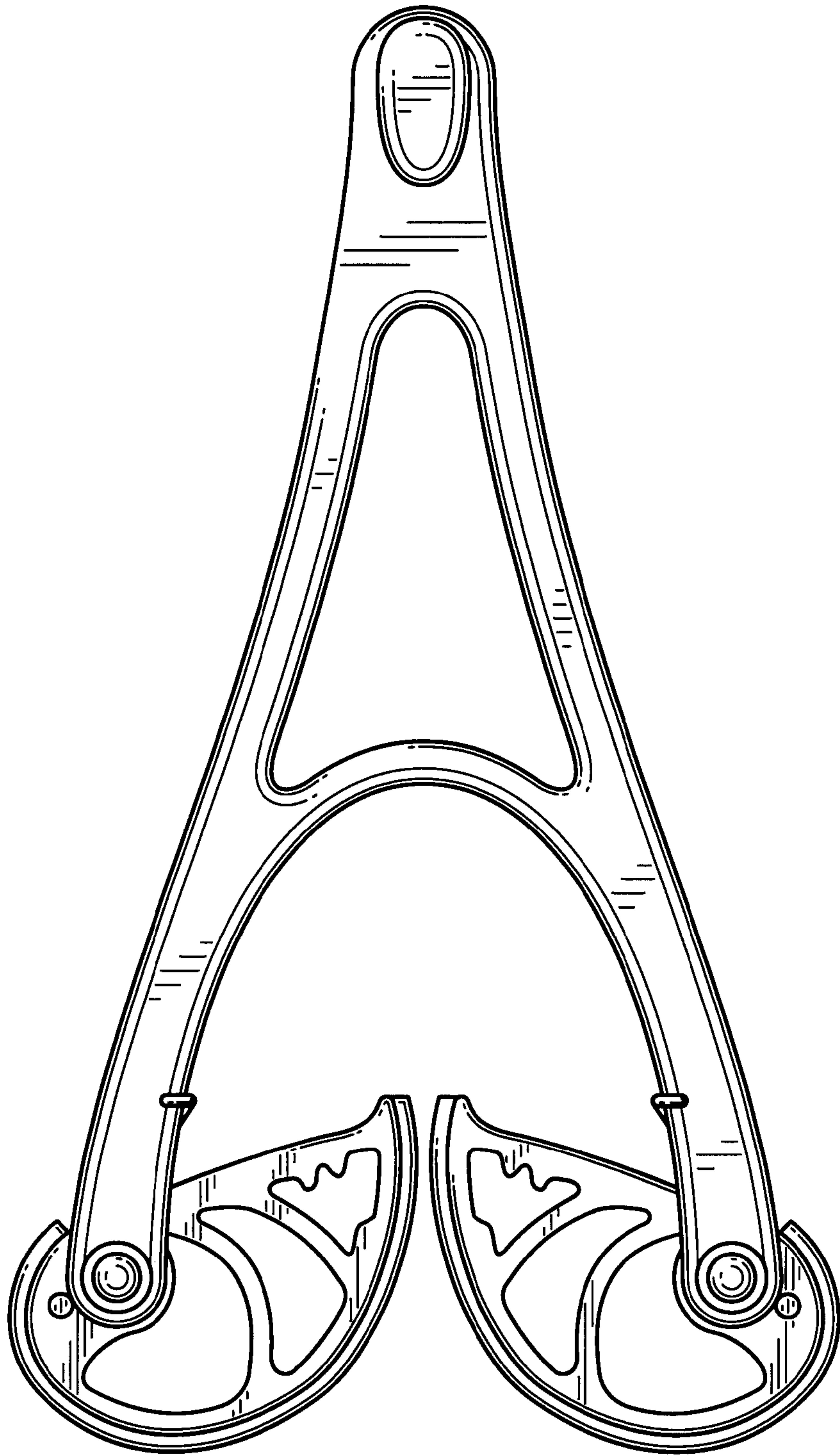


FIG. 3



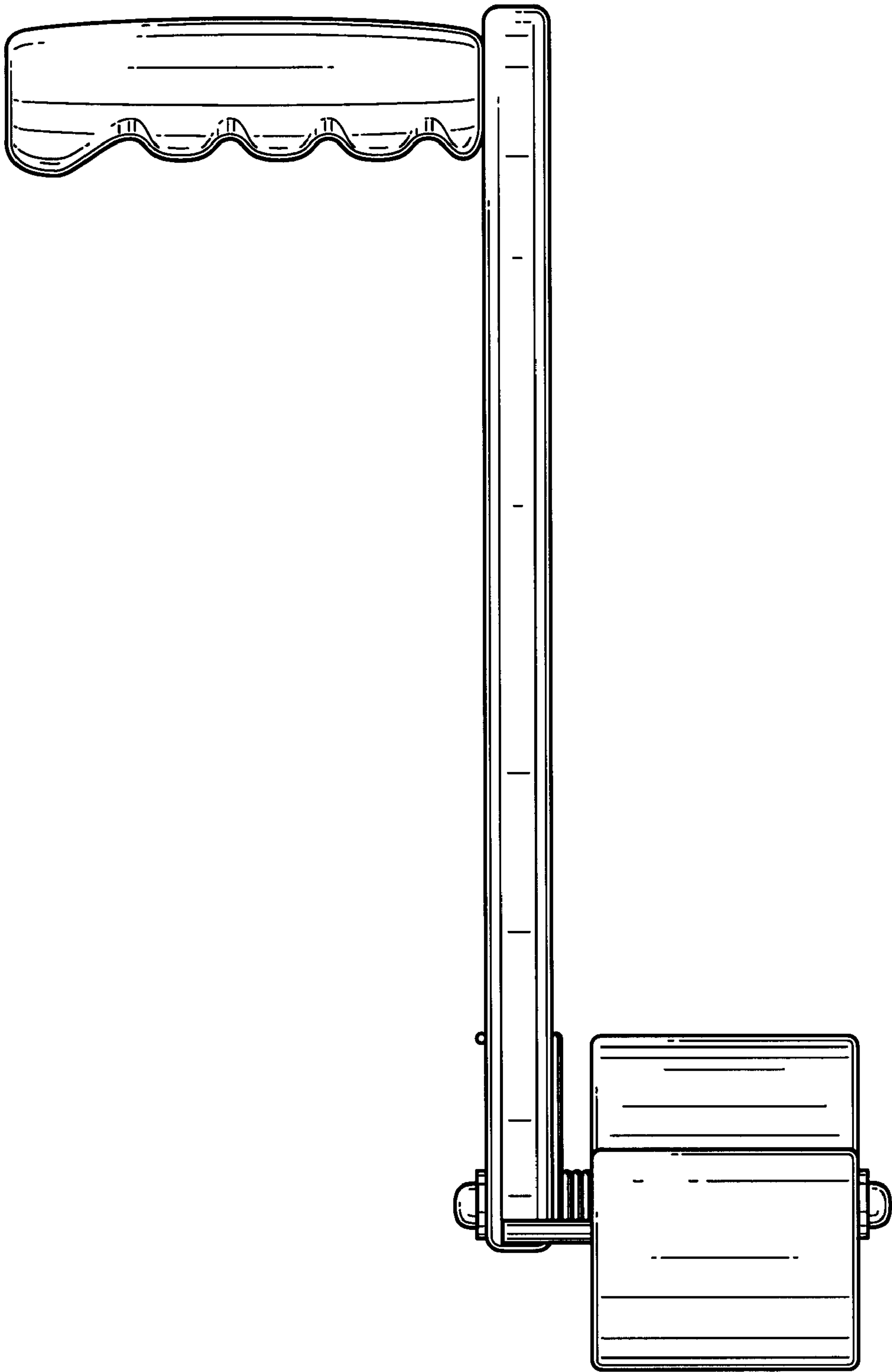


FIG. 4

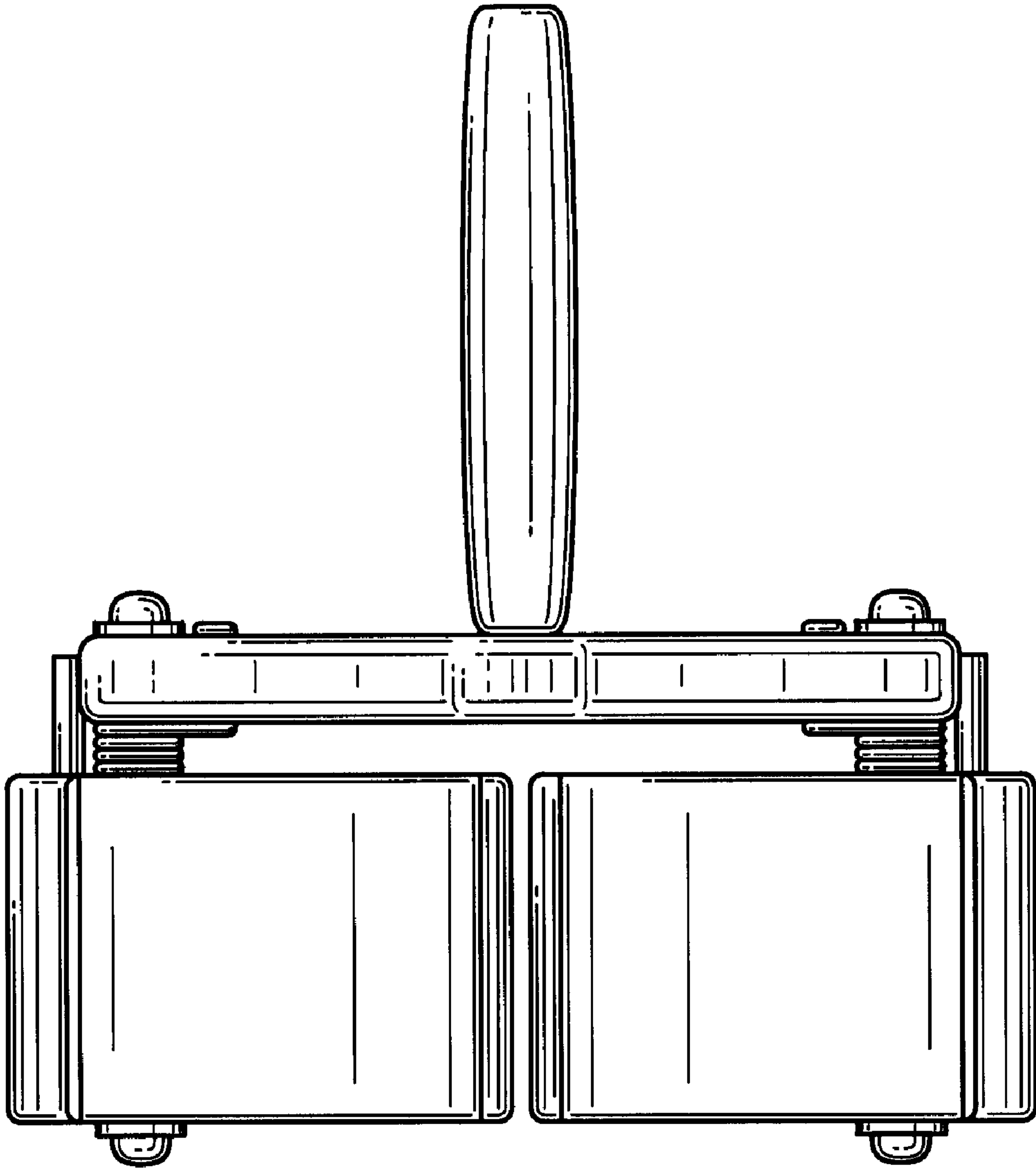


FIG. 5

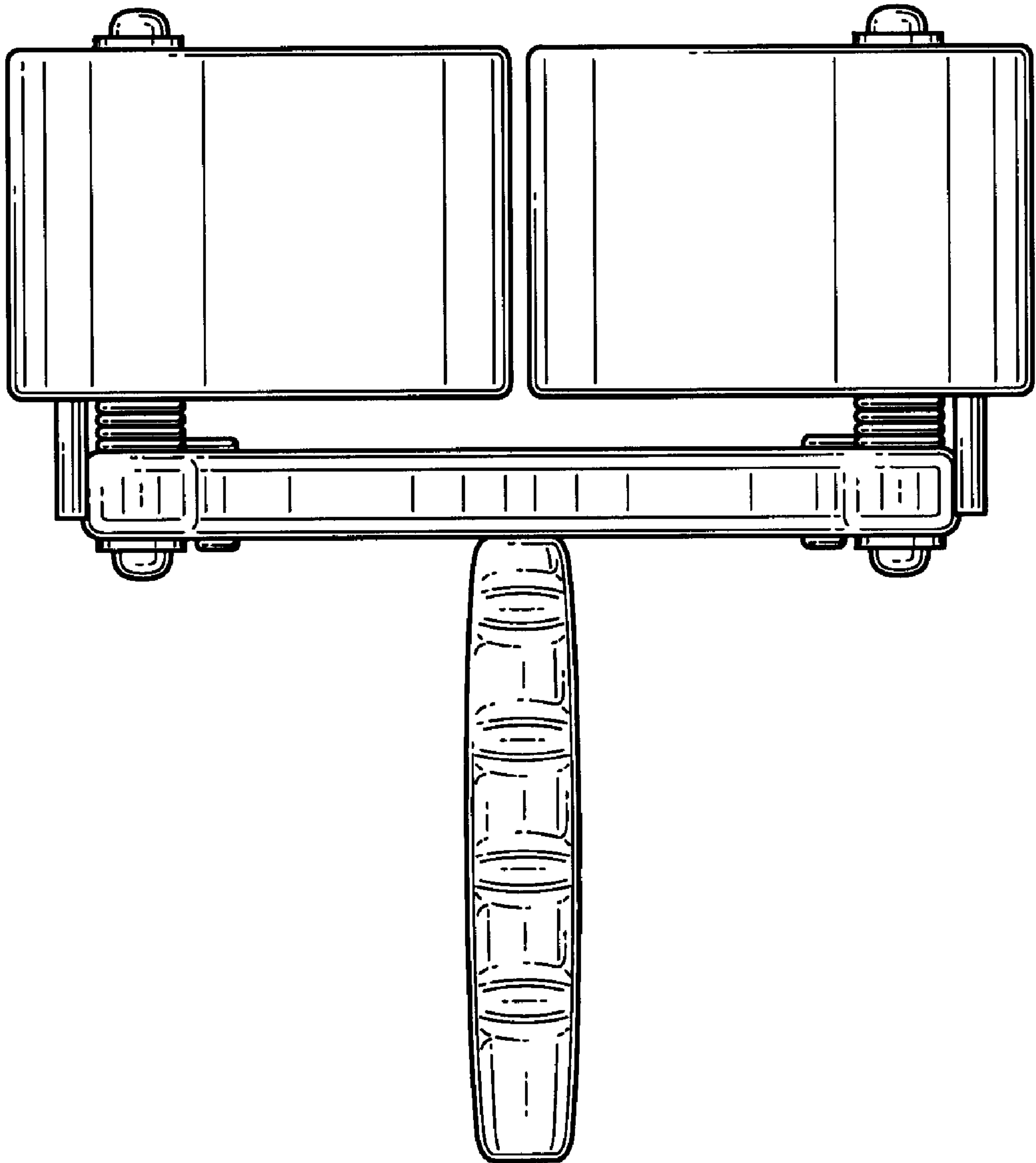


FIG. 6