



US00D443488S

(12) **United States Design Patent**
Palladino

(10) **Patent No.:** **US D443,488 S**

(45) **Date of Patent:** **** Jun. 12, 2001**

(54) **CAP FOR A CAULK GUN CARTRIDGE**

D. 377,891 * 2/1997 Bencich D8/14.1
3,147,824 * 9/1964 Henderson .

(76) Inventor: **Michael K. Palladino**, 7154 Ellicott Rd., Lockport, NY (US) 14094

* cited by examiner

(**) Term: **14 Years**

Primary Examiner—Philip S.. Hyder
(74) *Attorney, Agent, or Firm*—Wallace F Neyerlin

(21) Appl. No.: **29/090,286**

(57) **CLAIM**

(22) Filed: **Jul. 6, 1998**

The ornamental Design for a cap for a caulk gun cartridge, as shown and described.

(51) **LOC (7) Cl.** **08-05**

(52) **U.S. Cl.** **D8/14.1; D9/447**

(58) **Field of Search** D8/14.1; D9/447;
215/235, 237, 239, 245, 244, 216; 222/566,
325

DESCRIPTION

FIG. 1 is a front view of the cap for a caulk gun cartridge showing my new design;

FIG. 2 is a side view of the cap for a caulk gun cartridge;

FIG. 3 is a back view of the cap for a caulk gun cartridge;

and,

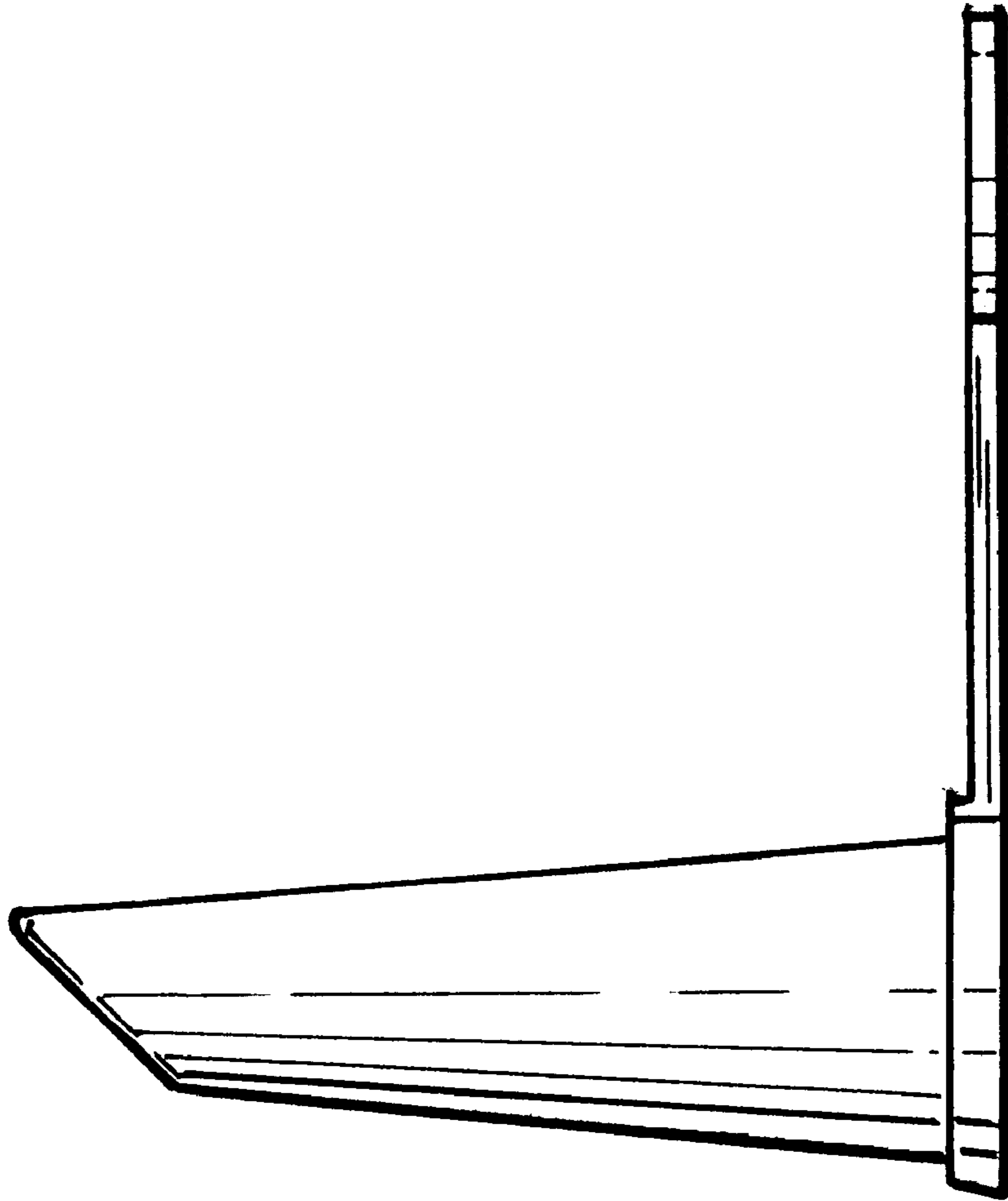
FIG. 4 is a partial section of the cap for a caulk gun cartridge taken at cut-line 4—4 of FIG. 1.

(56) **References Cited**

U.S. PATENT DOCUMENTS

D. 324,824 * 3/1992 Hansen D9/447
D. 360,828 * 8/1995 Ball D8/14.1
D. 366,402 * 1/1996 Groene et al. D8/14.1
D. 368,856 * 4/1996 Peay D9/447

1 Claim, 1 Drawing Sheet



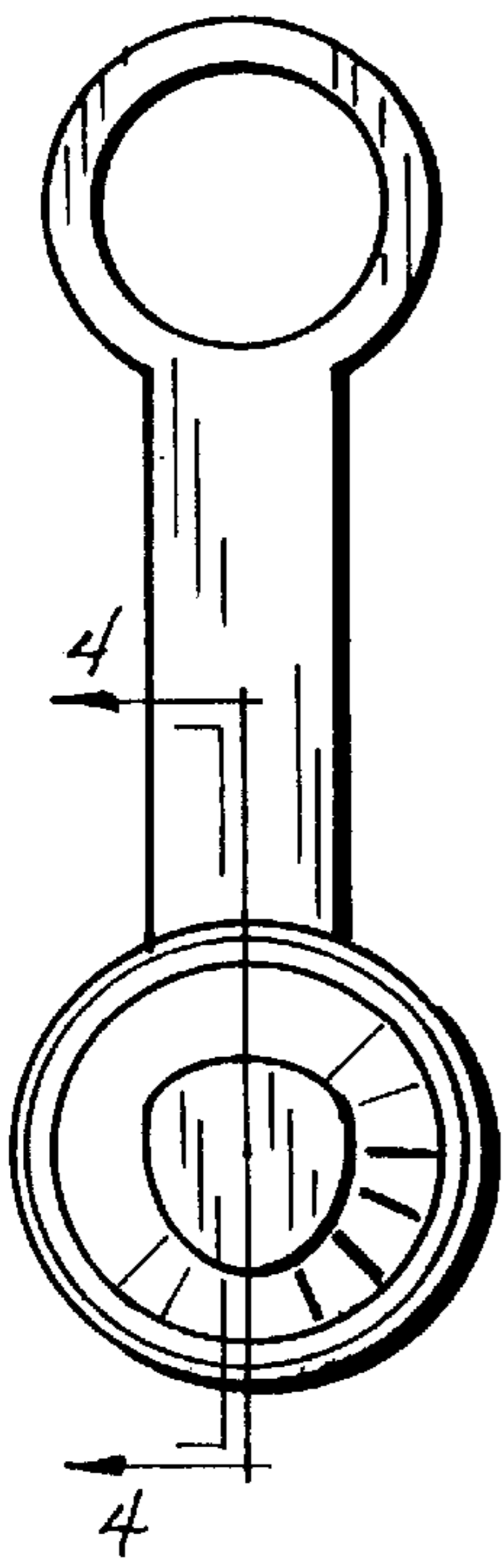


Fig. 1

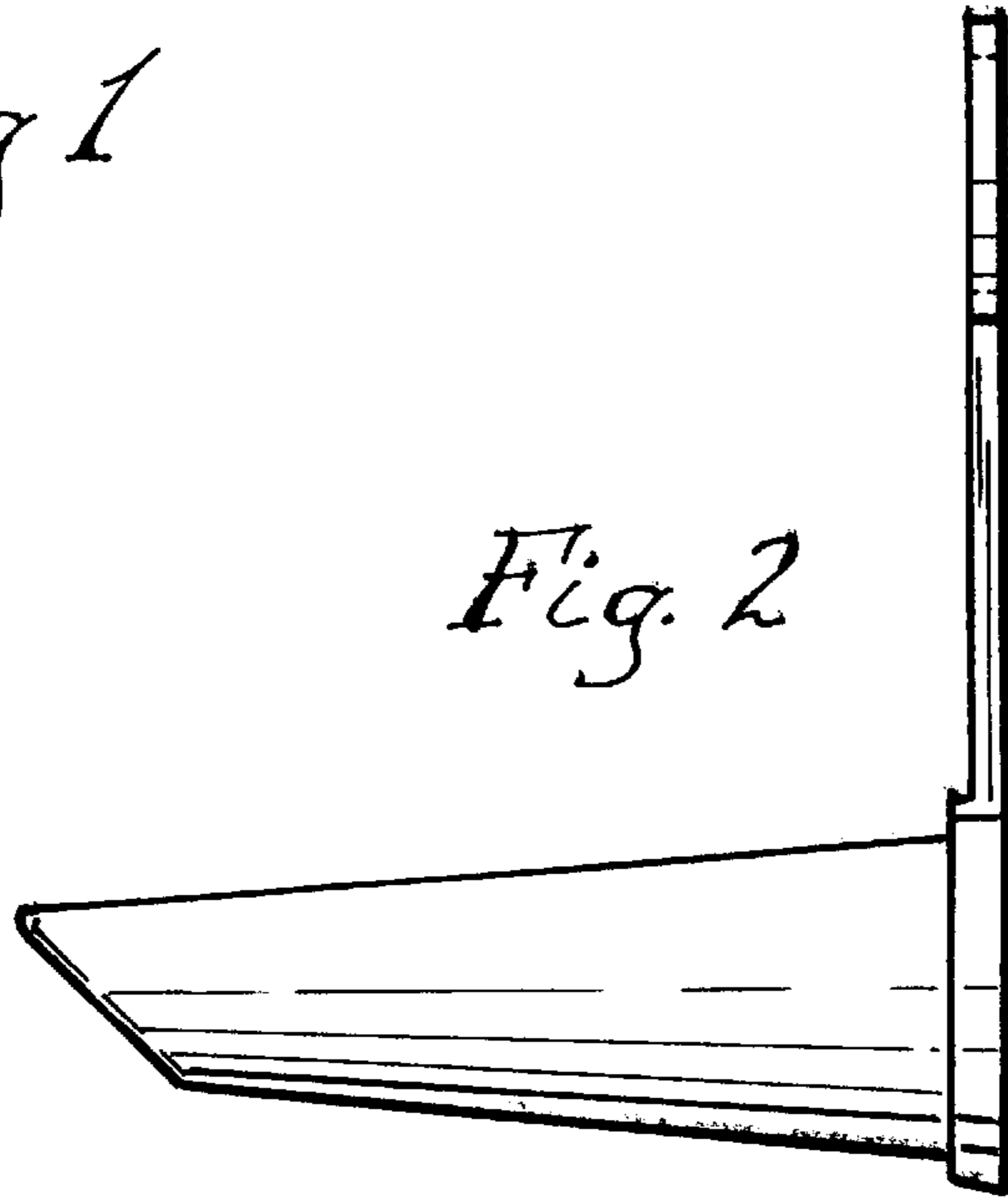


Fig. 2

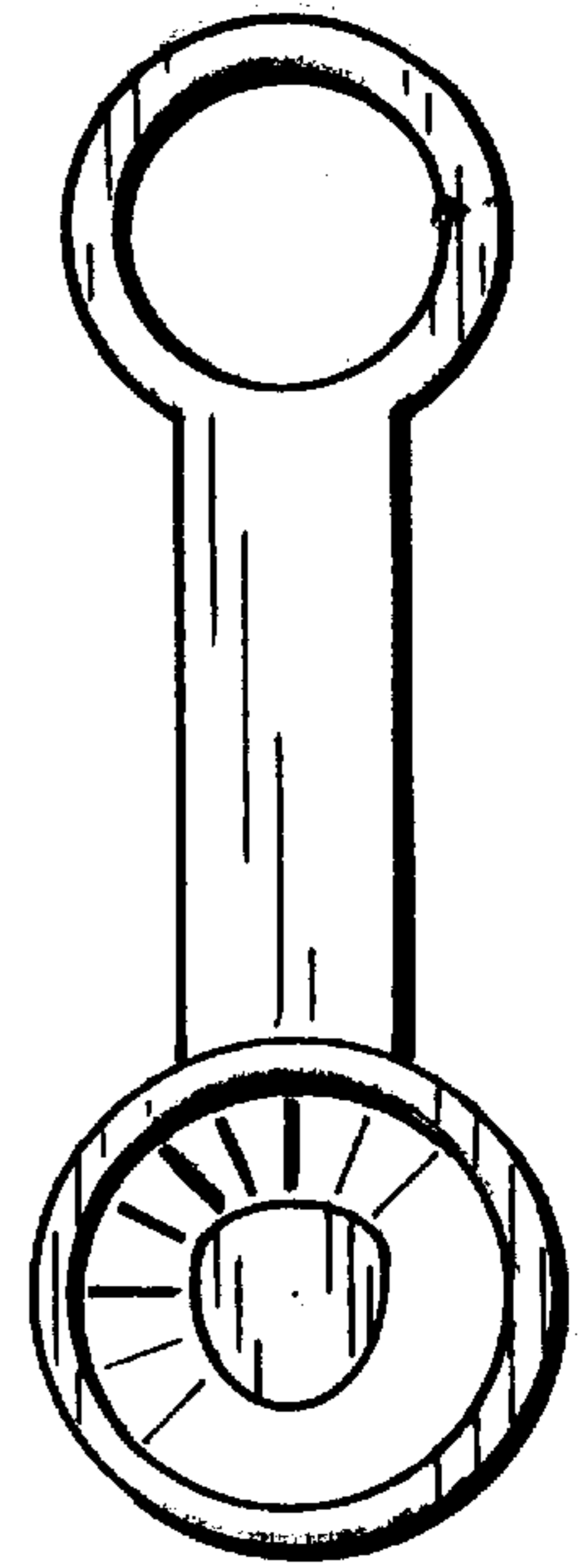


Fig. 3

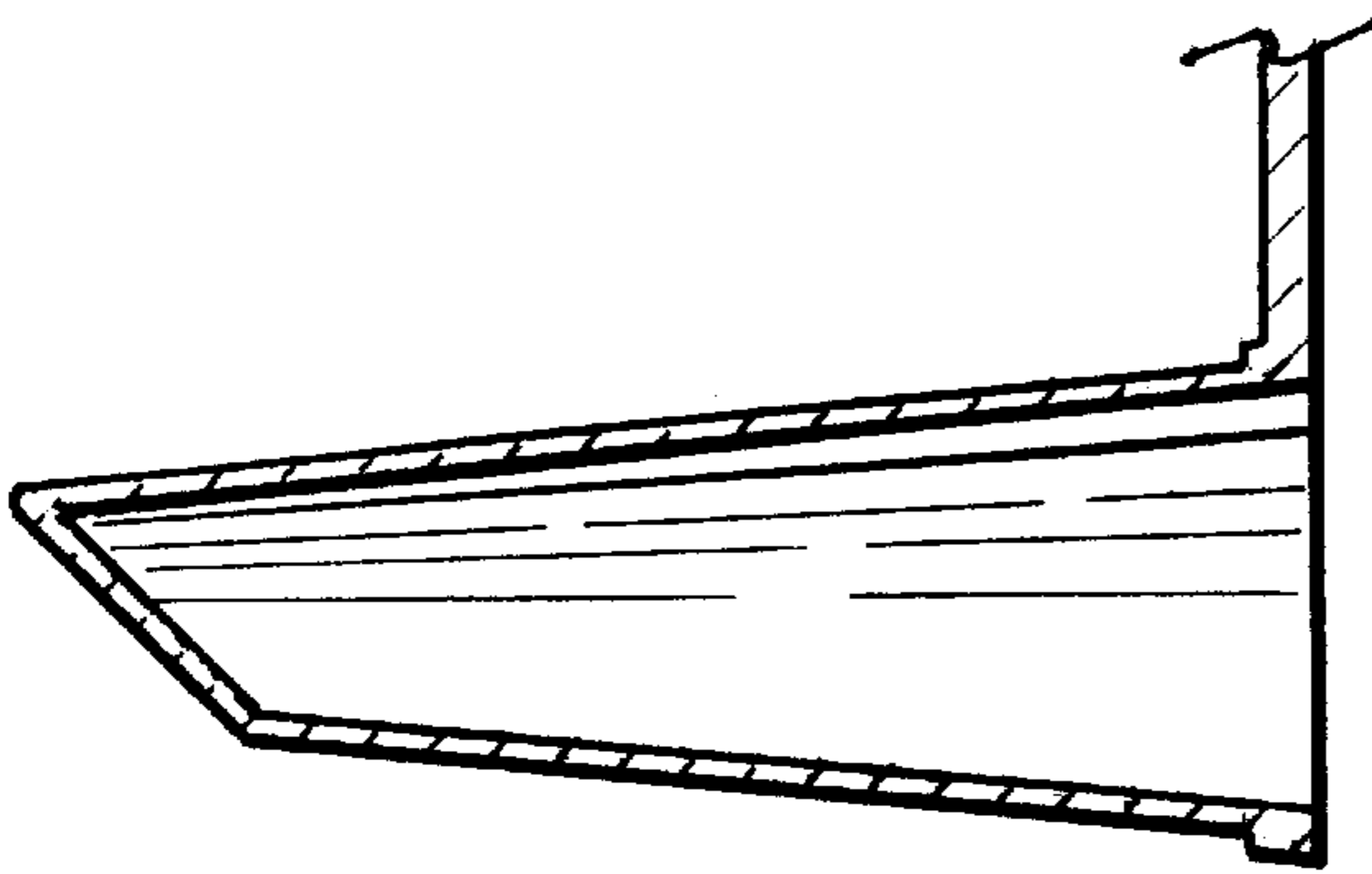


Fig. 4