



US00D443478S

(12) **United States Design Patent**
Miller

(10) **Patent No.:** **US D443,478 S**

(45) **Date of Patent:** **** Jun. 12, 2001**

(54) **SEMI-SPHERICAL DISH**

(75) Inventor: **D. Scott Miller**, Orlando, FL (US)

(73) Assignee: **Dart Industries Inc.**, Orlando, FL (US)

(**) Term: **14 Years**

(21) Appl. No.: **29/134,128**

(22) Filed: **Dec. 14, 2000**

(51) **LOC (7) Cl.** **07-01**

(52) **U.S. Cl.** **D7/540; D7/547; D7/558**

(58) **Field of Search** **D7/503, 630, 538,**
D7/360, 540, 542, 547, 558, 584, 586,
543, 545, 587, 541; 220/669, 628, 574,
506, 23.86; 206/505; 119/61

(56) **References Cited**

U.S. PATENT DOCUMENTS

D. 112,179	*	11/1938	Reineck et al.	D7/584
D. 115,298	*	6/1939	Platt	D7/360
D. 147,994	*	11/1947	Siessmayr	D7/503
D. 151,160	*	9/1948	Manca	D7/630
D. 168,092	*	11/1952	Hedu	D7/503
D. 169,314	*	4/1953	Heisey	D7/558
D. 171,372	*	2/1954	Barnhart	D7/542
D. 237,575		11/1975	Hamilton	.	
D. 272,404	*	1/1984	Angelakos	D7/540
D. 351,522	*	10/1994	Deimler	D7/545

D. 375,225		11/1996	Cousins	D7/391
D. 378,565		3/1997	Cousins	D7/667
D. 378,566		3/1997	Cousins	D7/667
D. 385,461	*	10/1997	Cousins	D7/538
D. 419,382	*	1/2000	Horvat	D7/558
2,582,245		1/1952	Folli	.	
2,674,375		4/1954	Clay	.	
3,455,280	*	7/1969	Keene	206/505 X
3,565,281	*	2/1971	Collie	220/506
5,082,140	*	1/1992	Swenson	220/669
5,372,274		12/1994	Freedland	.	

* cited by examiner

Primary Examiner—M. N. Pandozzi

(74) *Attorney, Agent, or Firm*—Taylor J. Ross

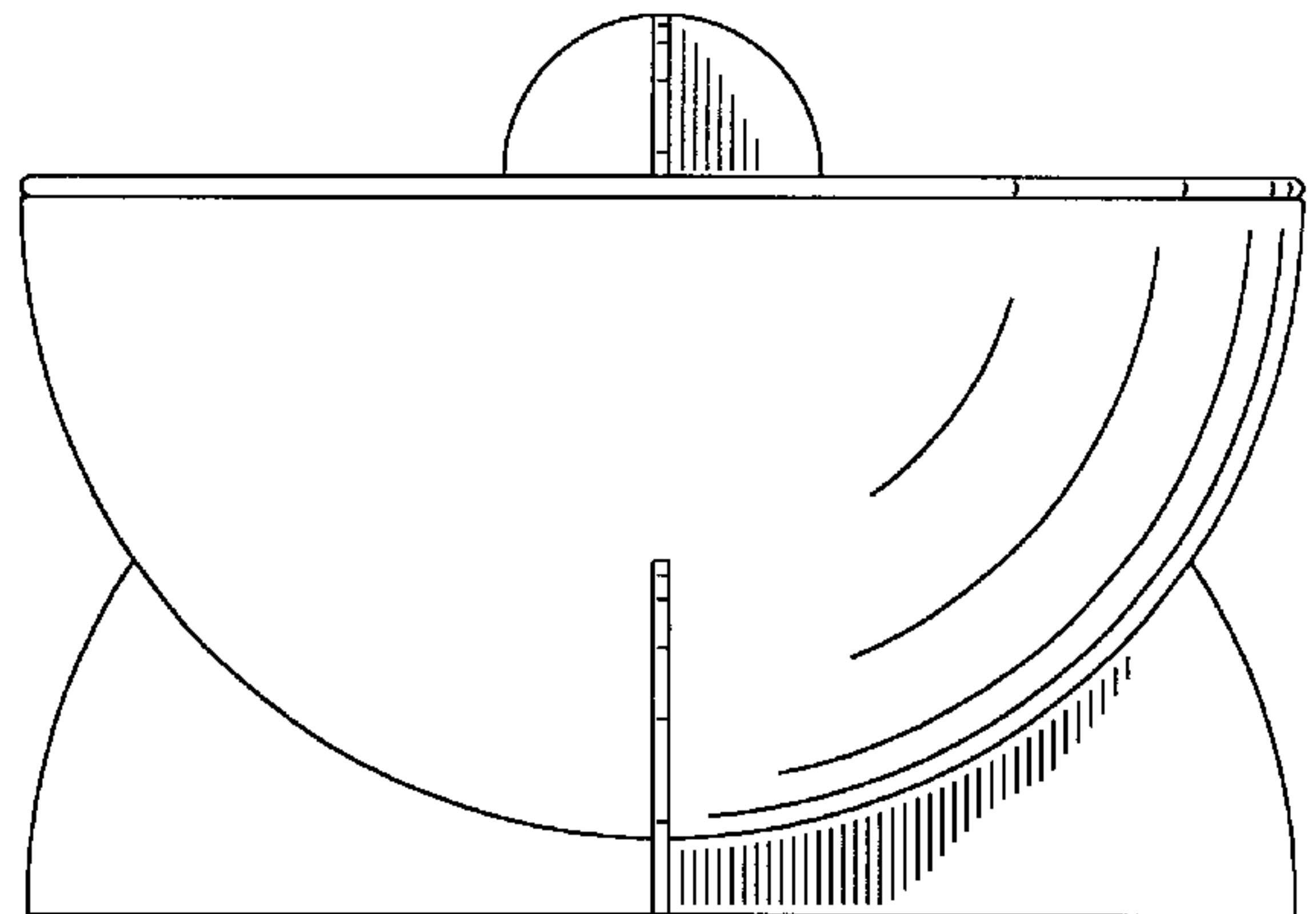
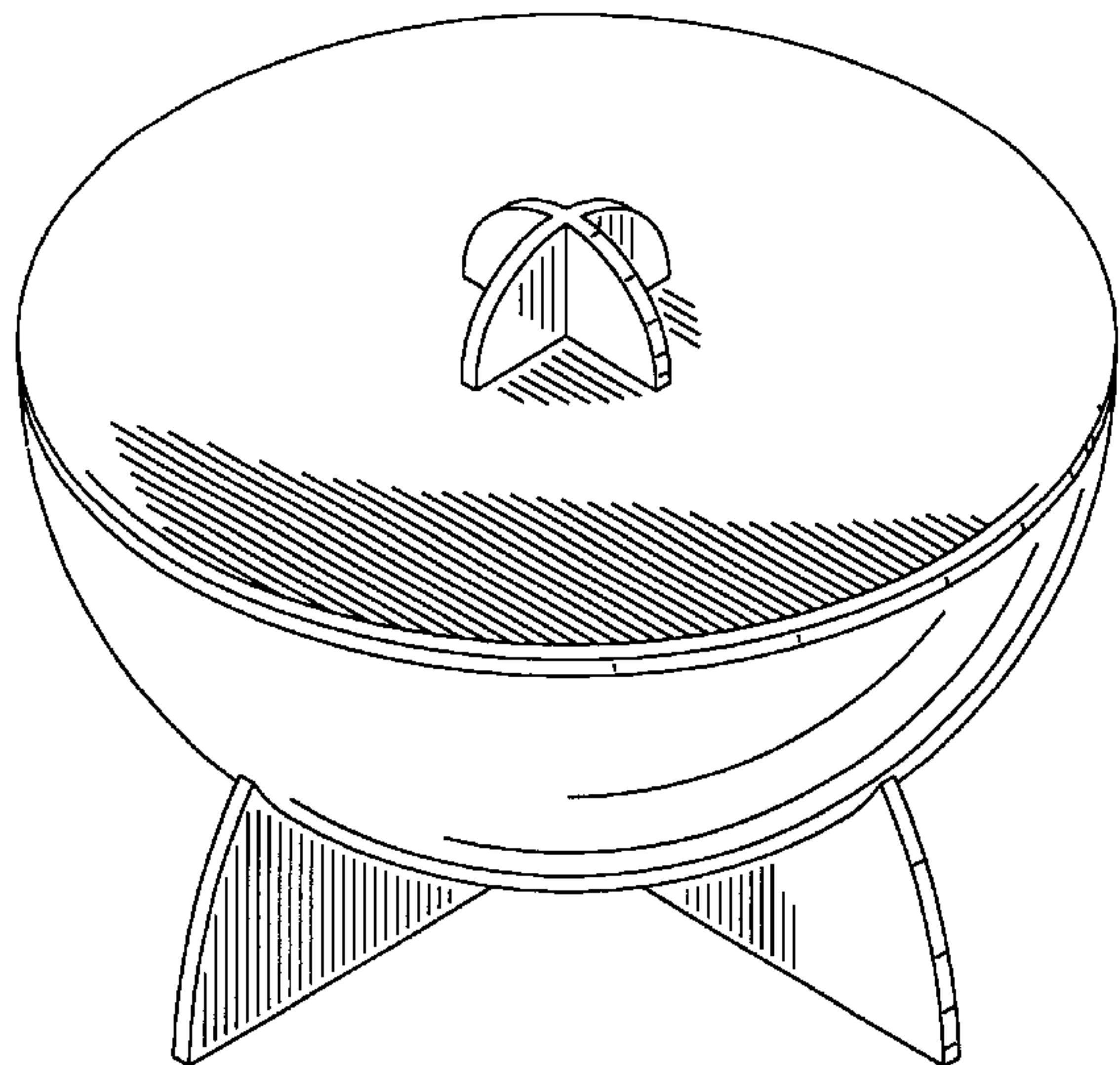
(57) **CLAIM**

The ornamental design for a semi-spherical dish, as shown and described.

DESCRIPTION

FIG. 1 is a top, side and front perspective view of a semi-spherical dish showing the new design; FIG. 2 is a front elevation view thereof; FIG. 3 is a rear elevation view thereof; FIG. 4 is a right side elevation view thereof; FIG. 5 is a left side elevation view thereof; FIG. 6 is a top plan view thereof; and, FIG. 7 is a bottom plan view thereof.

1 Claim, 3 Drawing Sheets



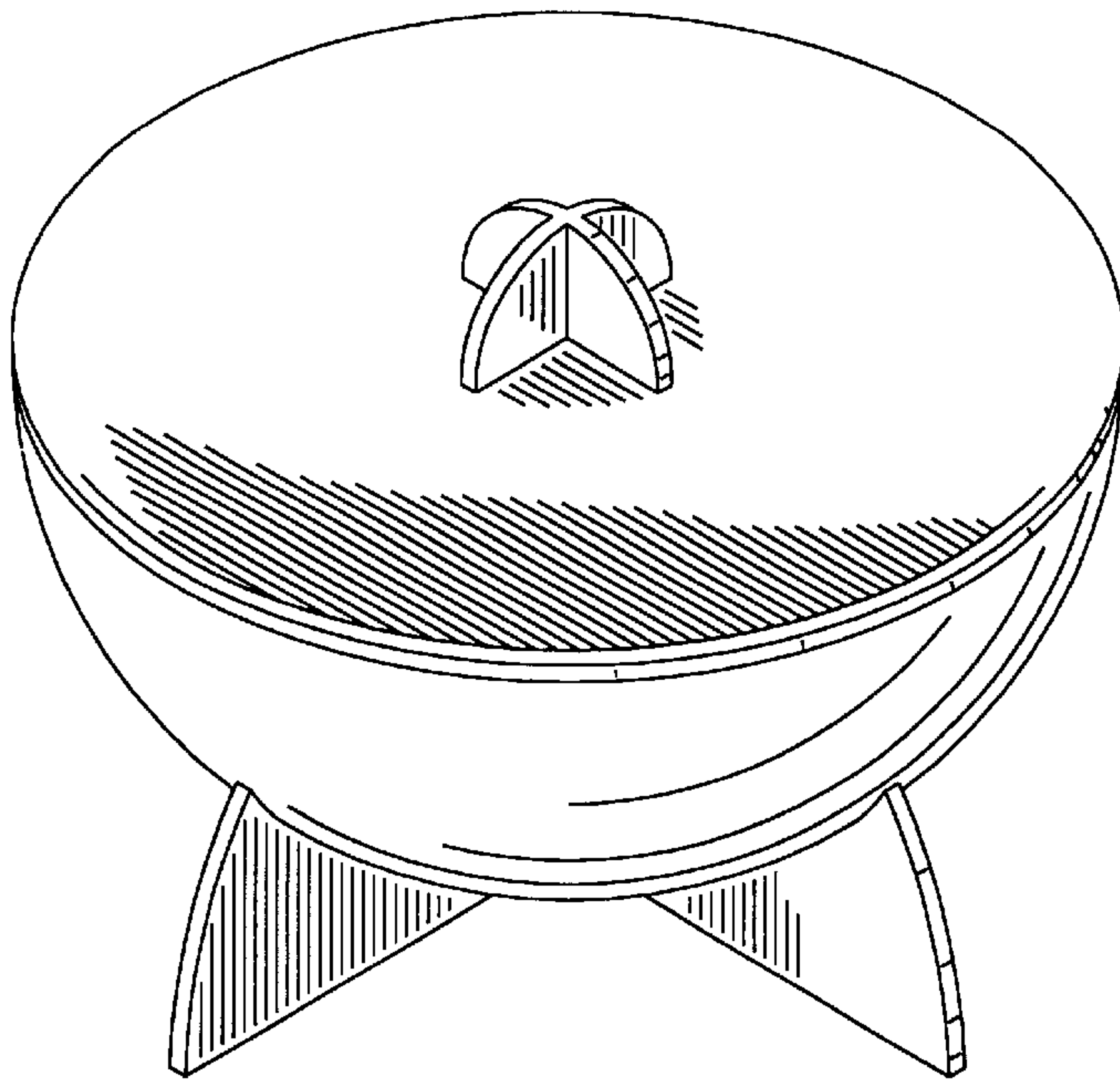


FIG. 1

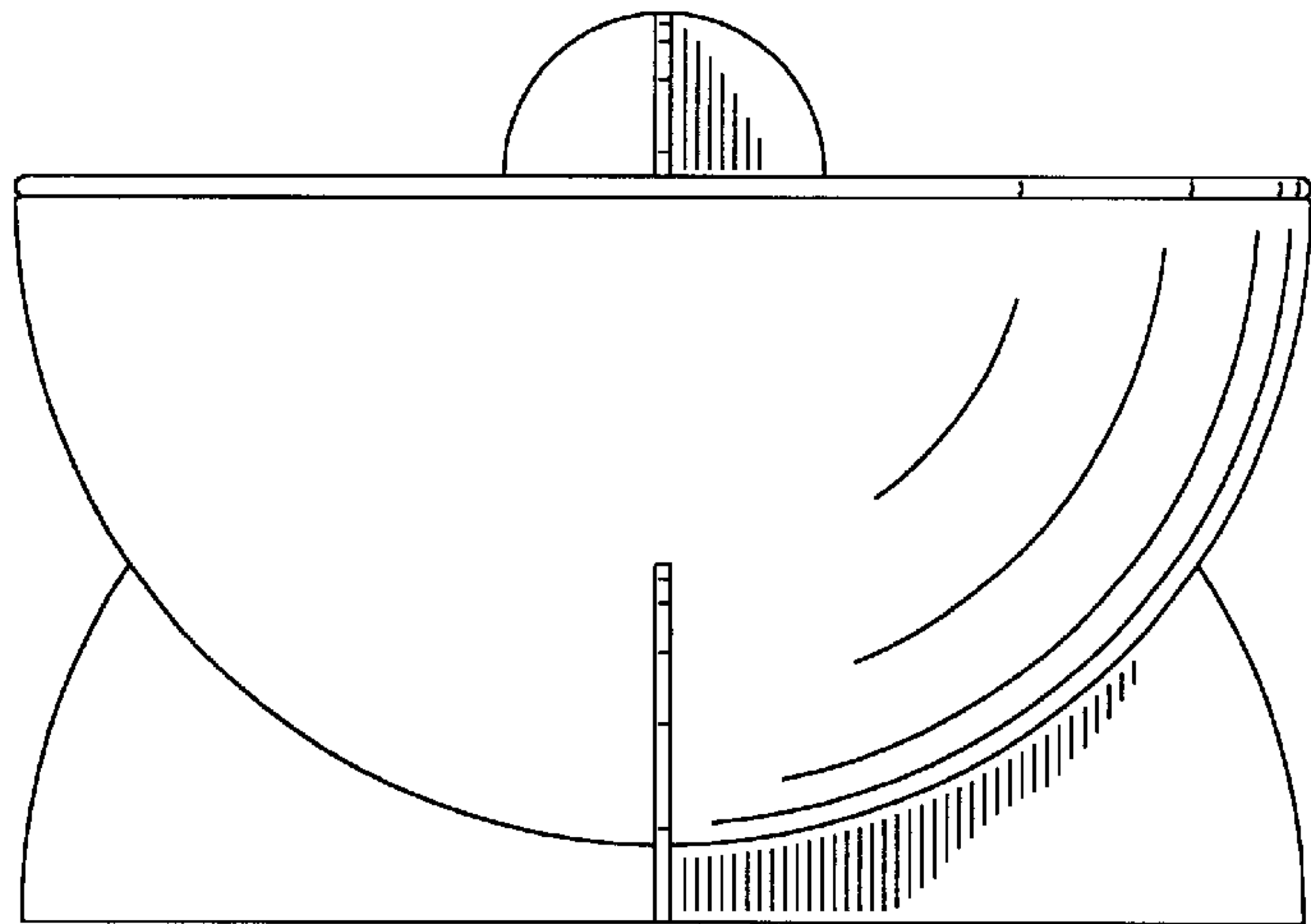


FIG. 2

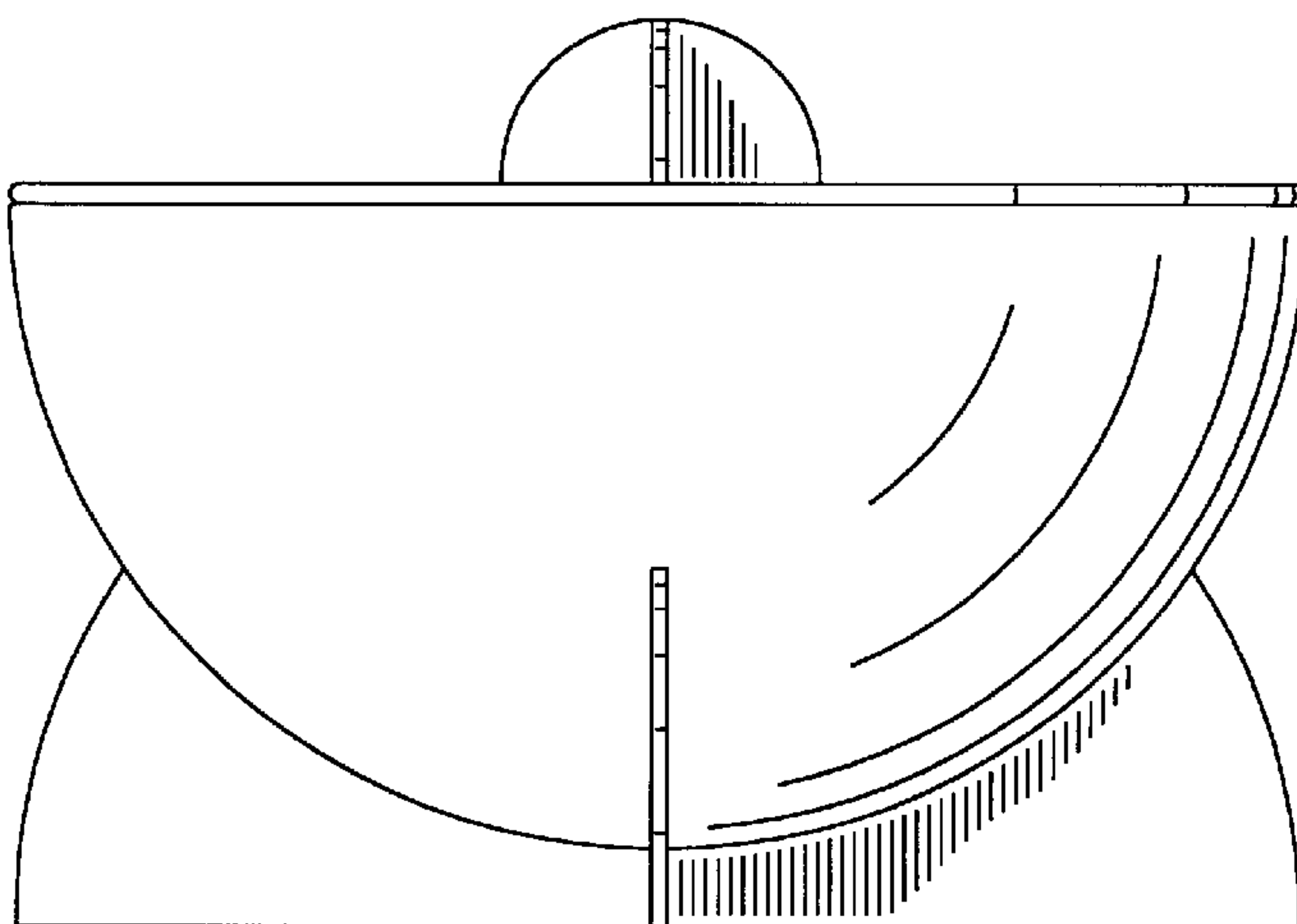


FIG. 3

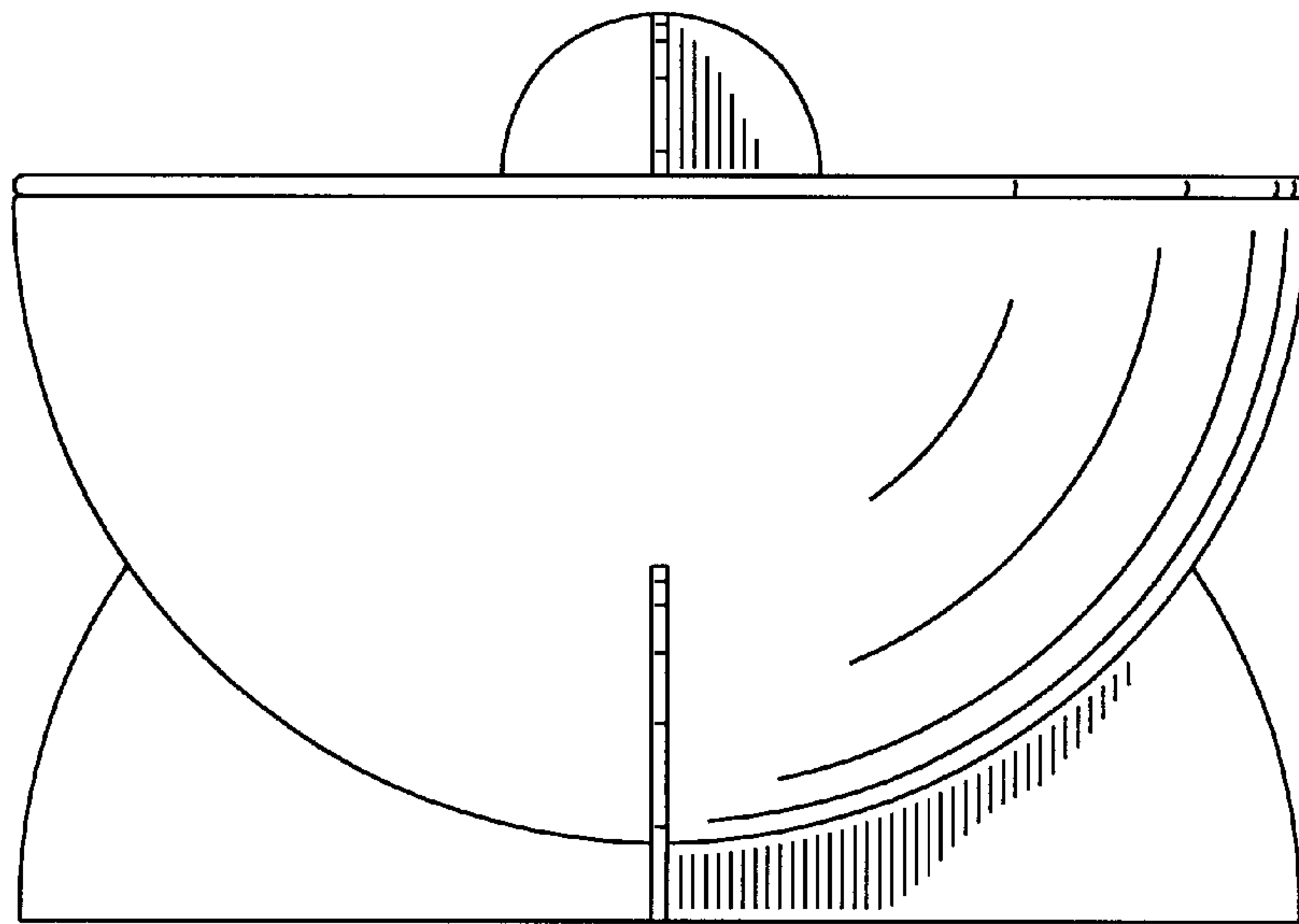


FIG. 4

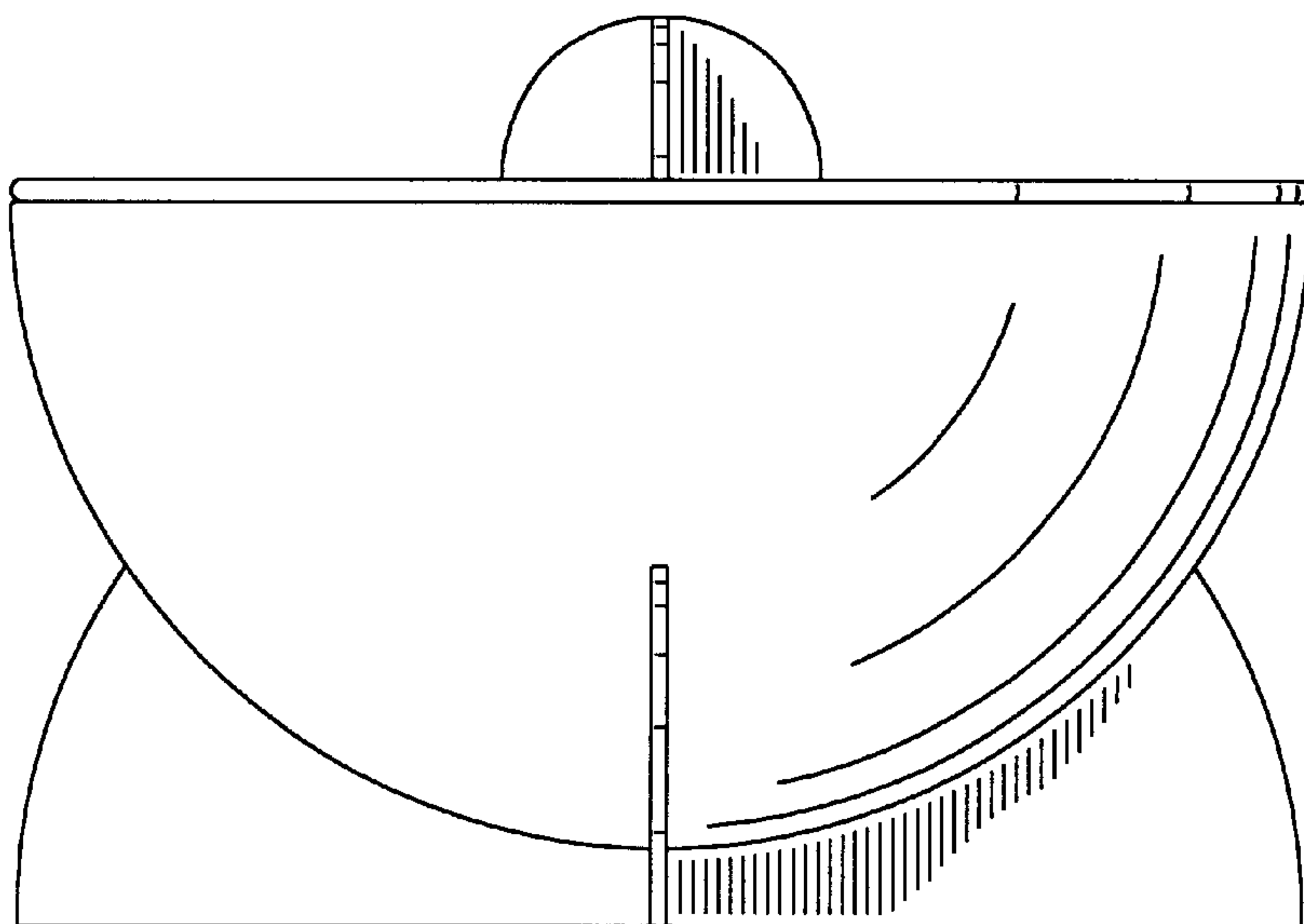


FIG. 5

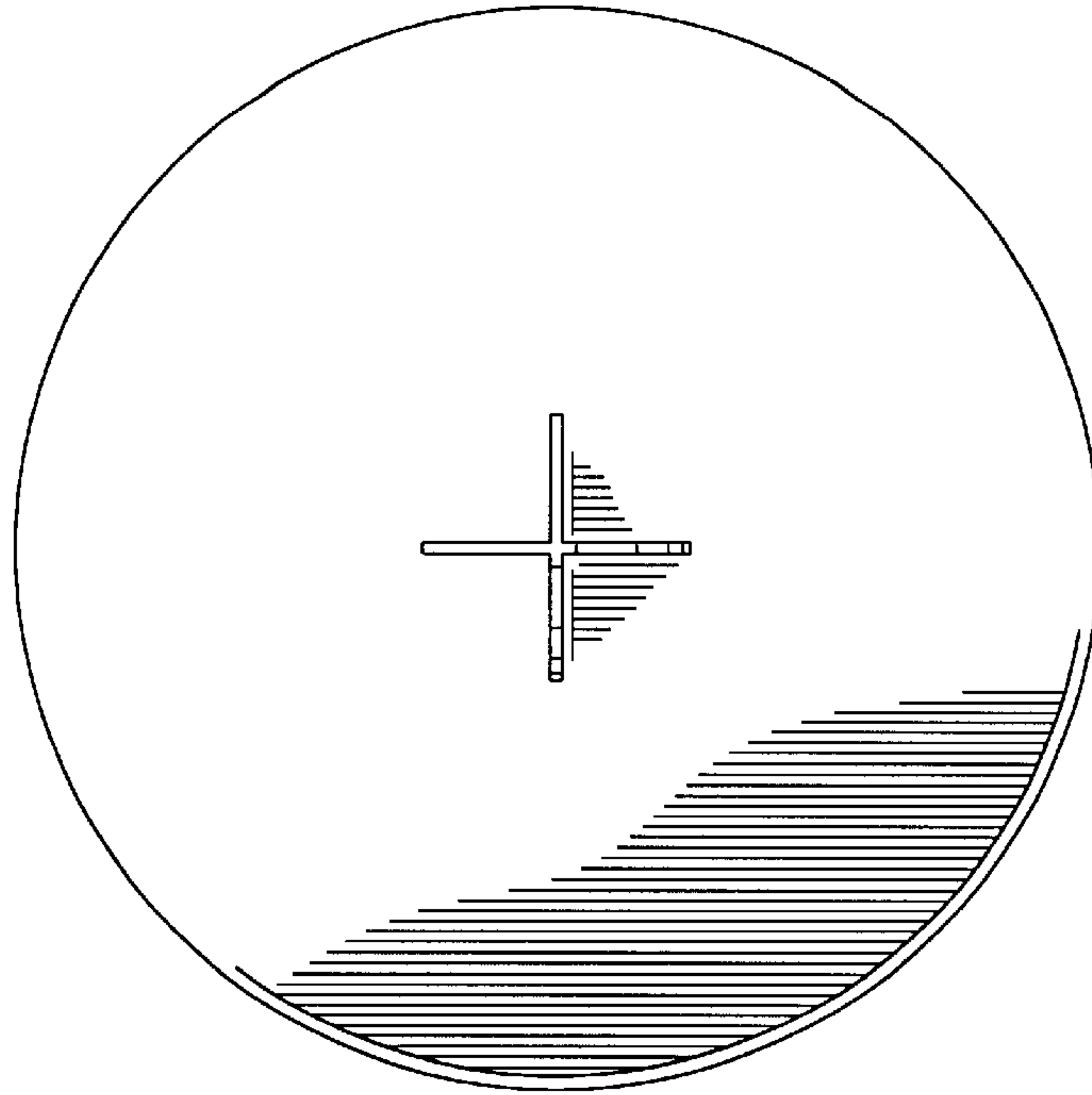


FIG. 6

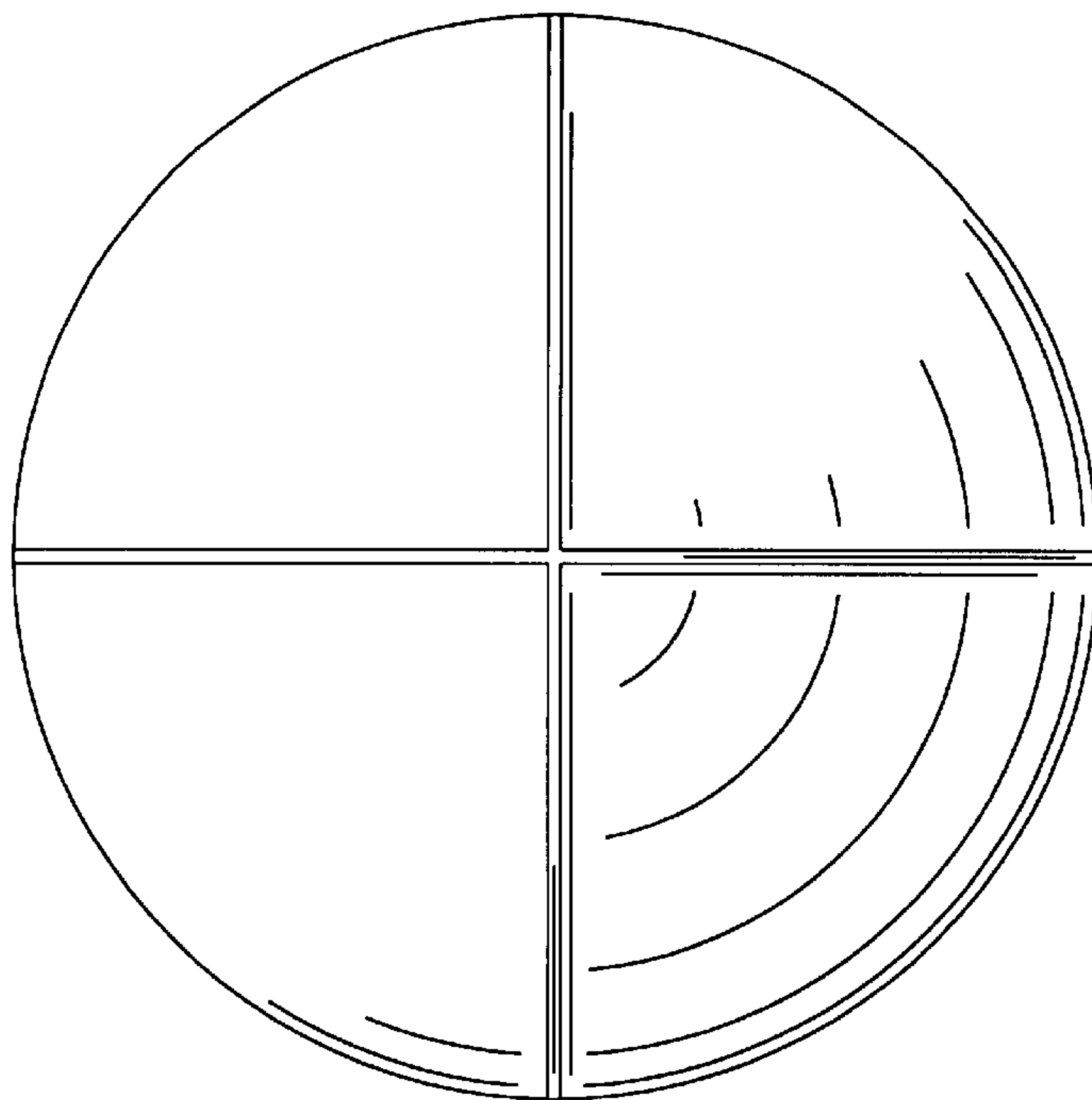


FIG. 7