



US00D443473S

(12) **United States Design Patent**
Westfield

(10) **Patent No.:** **US D443,473 S**

(45) **Date of Patent:** **** Jun. 12, 2001**

(54) **BAKING RACK**

5,615,605 4/1997 Kakimoto et al. 99/348
6,085,640 * 7/2000 King 99/407

(75) Inventor: **Barbara Westfield**, Chicago, IL (US)

* cited by examiner

(73) Assignee: **Salton, Inc.**, Mt. Prospect, IL (US)

Primary Examiner—Caron D. Veynar

(**) Term: **14 Years**

(74) *Attorney, Agent, or Firm*—Seed Intellectual Property Law Group PLLC

(21) Appl. No.: **29/122,124**

(57) **CLAIM**

(22) Filed: **Apr. 14, 2000**

The ornamental design for a baking rack, as shown and described.

(51) **LOC (7) Cl.** **07-02**

(52) **U.S. Cl.** **D7/409**

(58) **Field of Search** D7/323, 354–361,
D7/402, 409; 99/330–336, 403–417; D6/465

DESCRIPTION

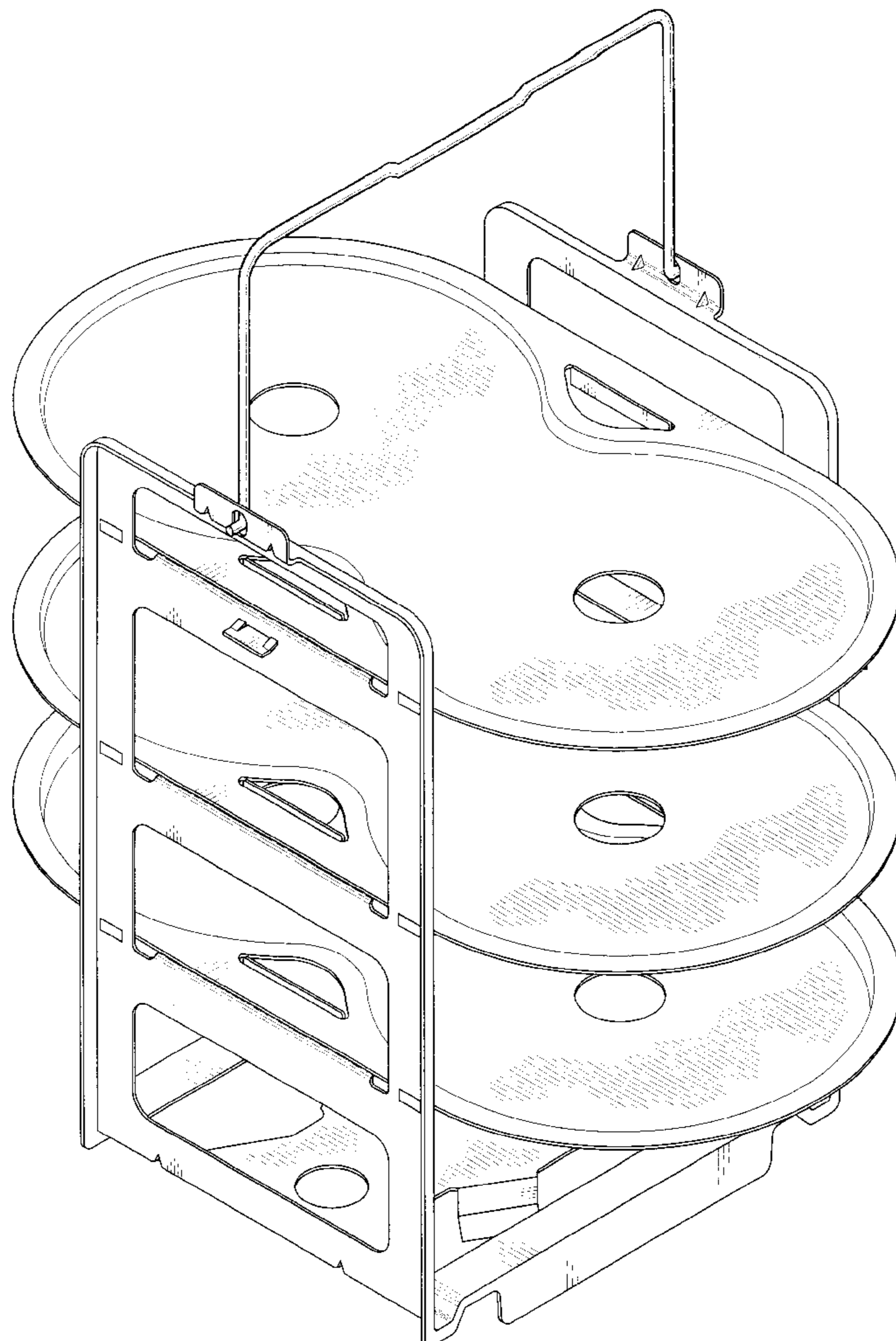
(56) **References Cited**

U.S. PATENT DOCUMENTS

D. 378,484	3/1997	Harrison	D7/350
D. 412,642	* 8/1999	King	D7/409
D. 429,600	* 8/2000	Fuentes	D7/409
4,957,040	9/1990	Nakakura et al.	99/348
5,435,235	7/1995	Yoshida et al.	99/327

FIG. 1 is a front perspective view of a baking rack showing my new design;
FIG. 2 is a front elevational view thereof, the rear elevational view being identical;
FIG. 3 is a left side elevational view thereof, the right side elevational view being identical;
FIG. 4 is a top plan view thereof; and,
FIG. 5 is a bottom plan view thereof.

1 Claim, 5 Drawing Sheets



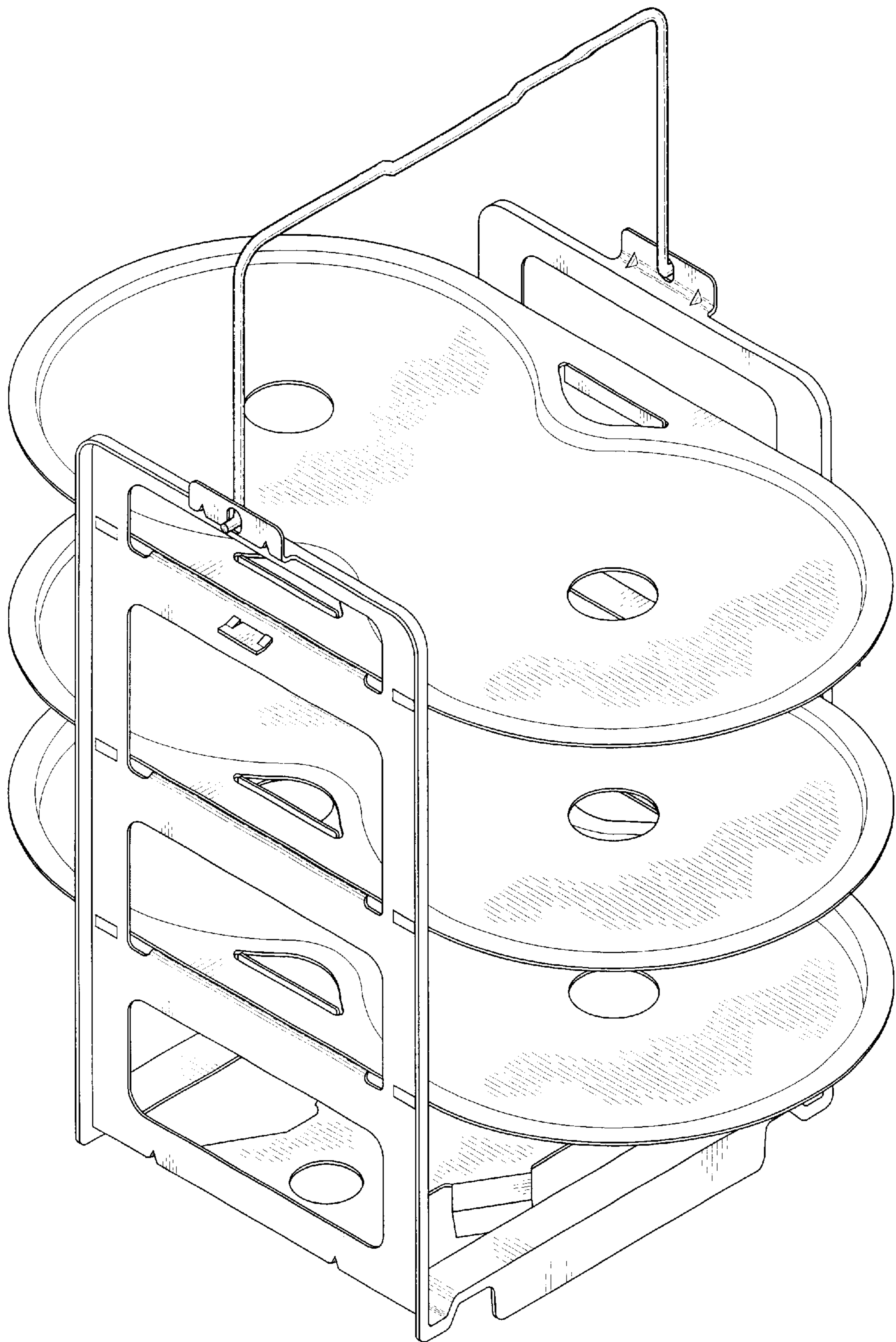


Fig. 1

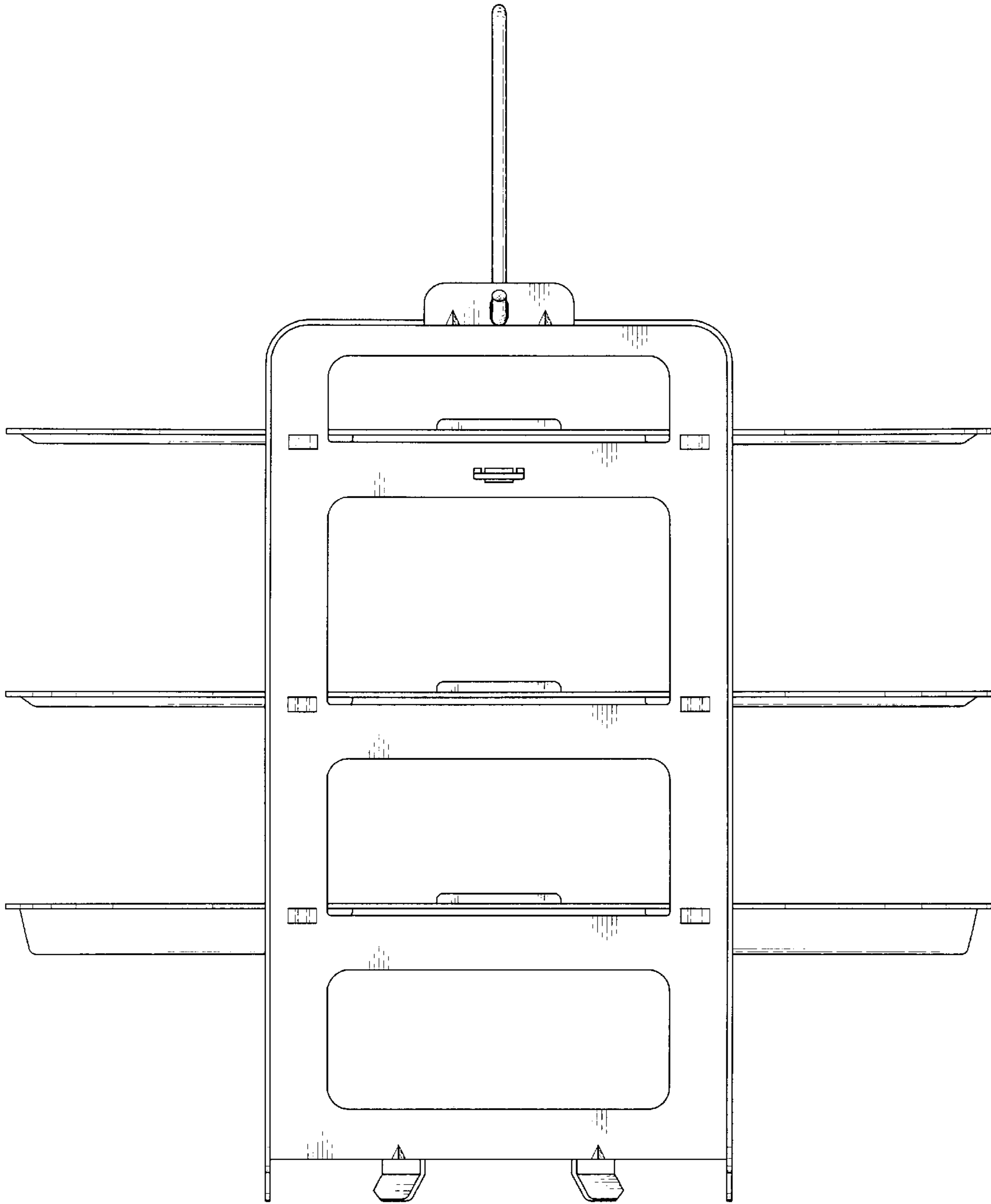


Fig. 2

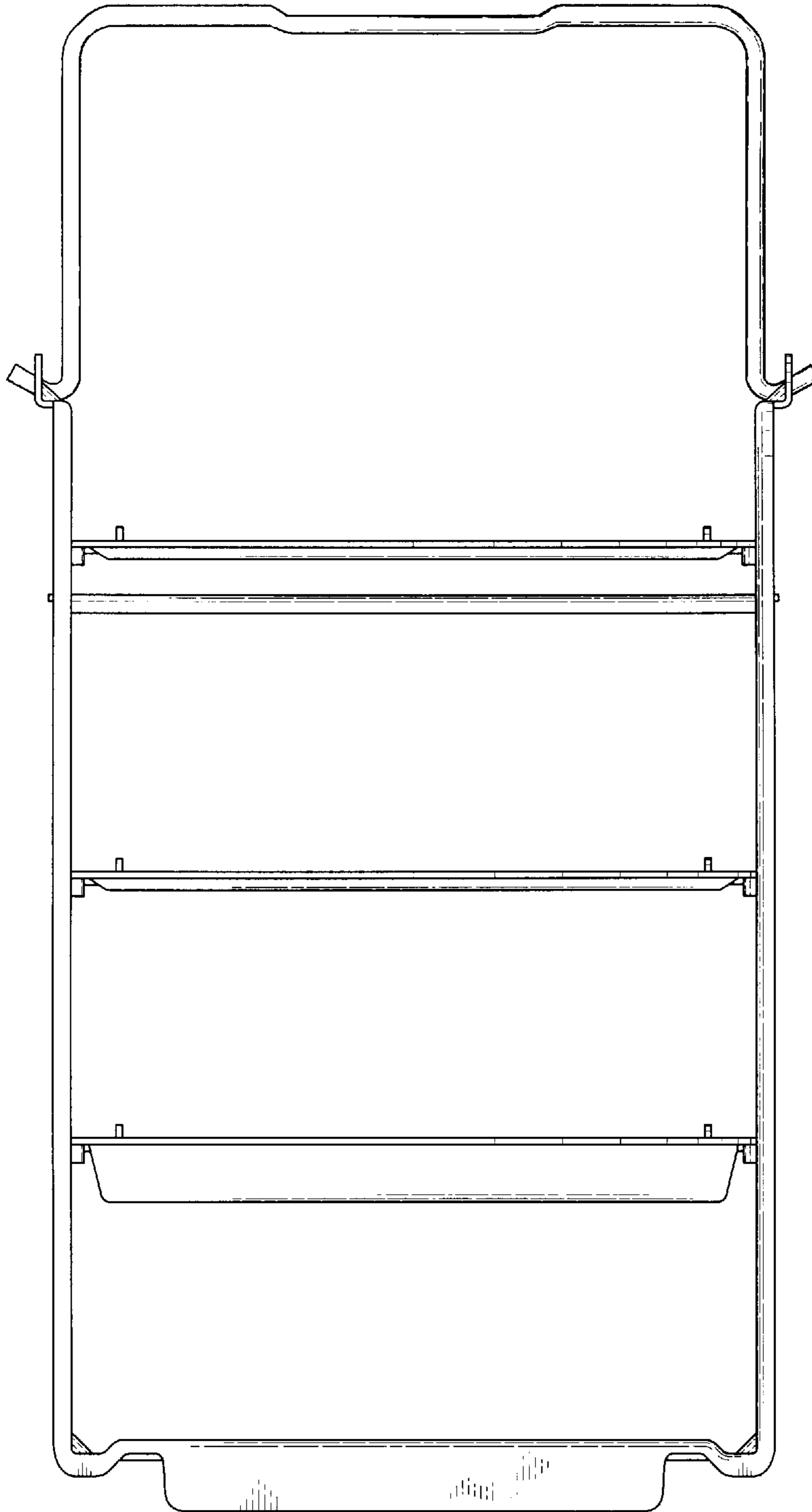


Fig. 3

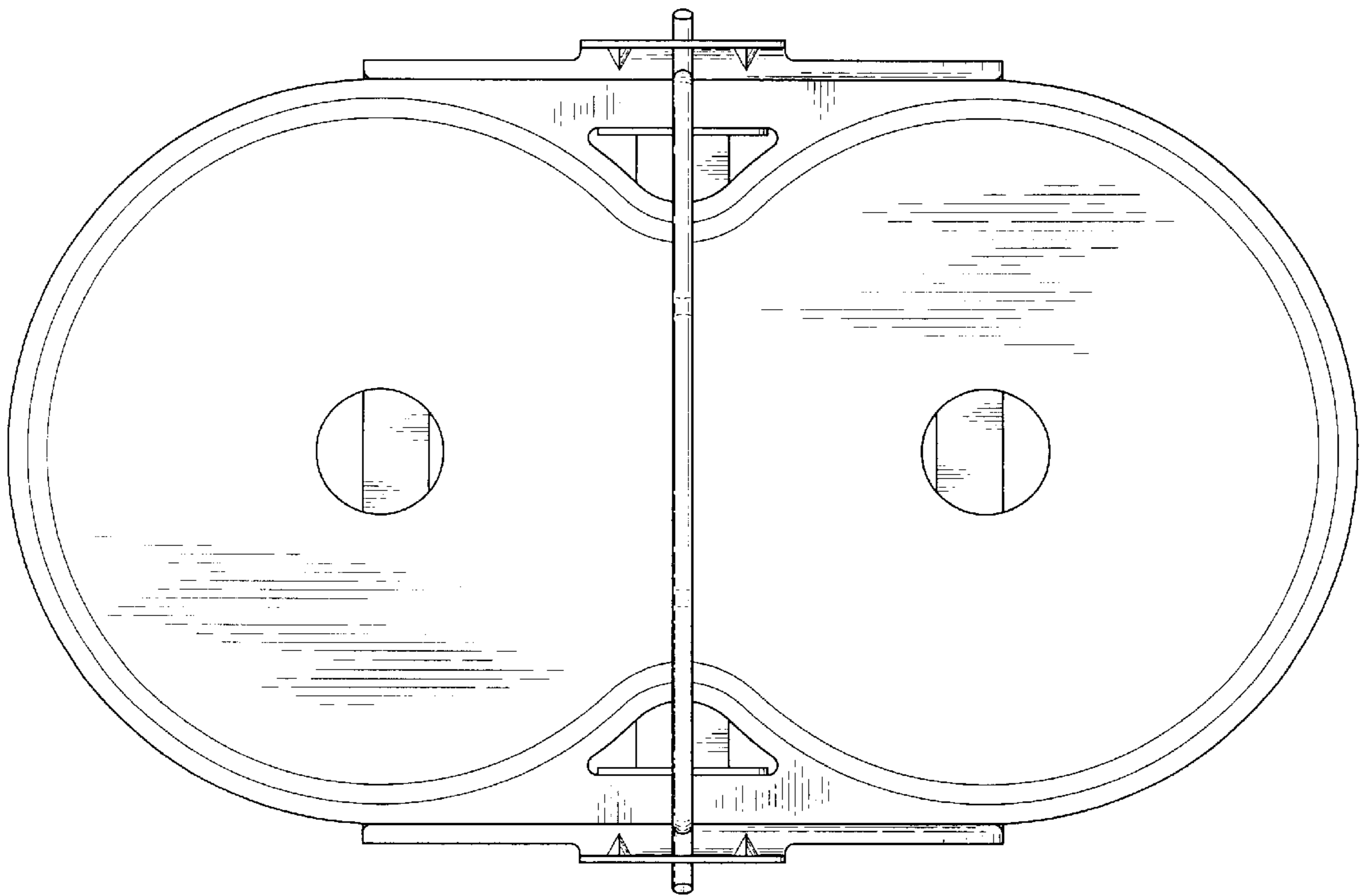


Fig. 4

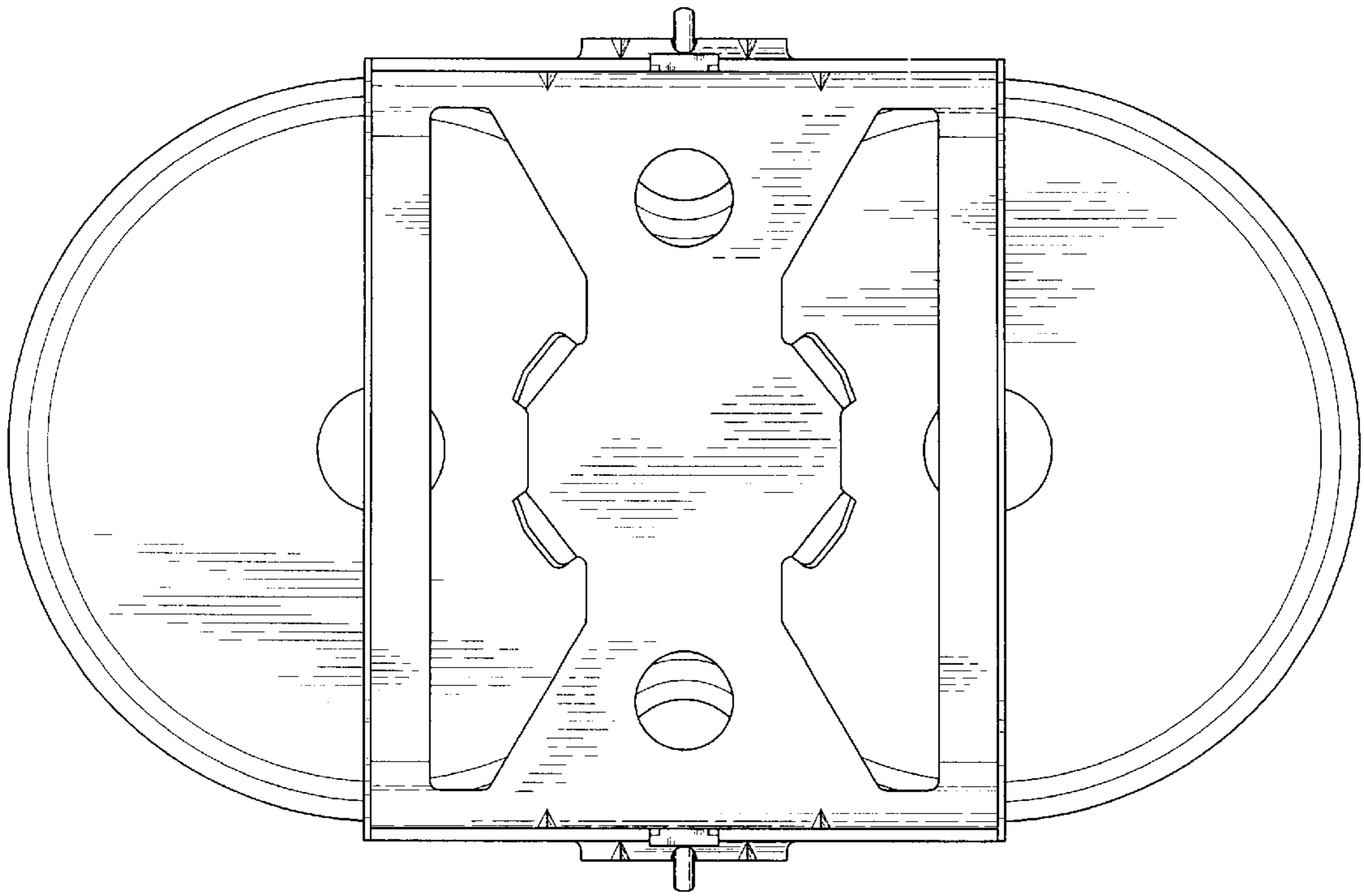


Fig. 5