



US00D443472S

(12) **United States Design Patent**  
**Pai**

(10) **Patent No.:** **US D443,472 S**

(45) **Date of Patent:** **\*\* Jun. 12, 2001**

(54) **GRILL LID**

(76) Inventor: **Lucas Pai**, No. 124, Ying-Hua Rd.,  
Hsitun Dist., Taichung (TW)

(\*\*) Term: **14 Years**

(21) Appl. No.: **29/125,148**

(22) Filed: **Jun. 19, 2000**

(30) **Foreign Application Priority Data**

Apr. 20, 2000 (TW) ..... 089302634

(51) **LOC (7) Cl.** ..... **07-02**

(52) **U.S. Cl.** ..... **D7/402**

(58) **Field of Search** ..... D7/332-337, 402,  
D7/407; 126/25 R, 25 B, 41 R, 39 R, 9 R,  
38, 44; 99/481-482, 446, 444, 340

(56) **References Cited**

**U.S. PATENT DOCUMENTS**

- D. 284,929 \* 8/1986 Schlosser et al. .... D7/332
- D. 376,510 \* 12/1996 Ting ..... D7/332
- D. 385,147 \* 10/1997 Fielding et al. .... D7/332

- D. 414,980 \* 10/1999 Pai ..... D7/337
- D. 420,242 \* 2/2000 Chiang ..... D7/332
- D. 420,546 \* 2/2000 Pai ..... D7/332
- D. 427,840 \* 7/2000 Pai ..... D7/332

\* cited by examiner

*Primary Examiner*—Ruth McInroy

(74) *Attorney, Agent, or Firm*—Alan D. Kamrath; Rider,  
Bennett, Egan & Arundel, LLP

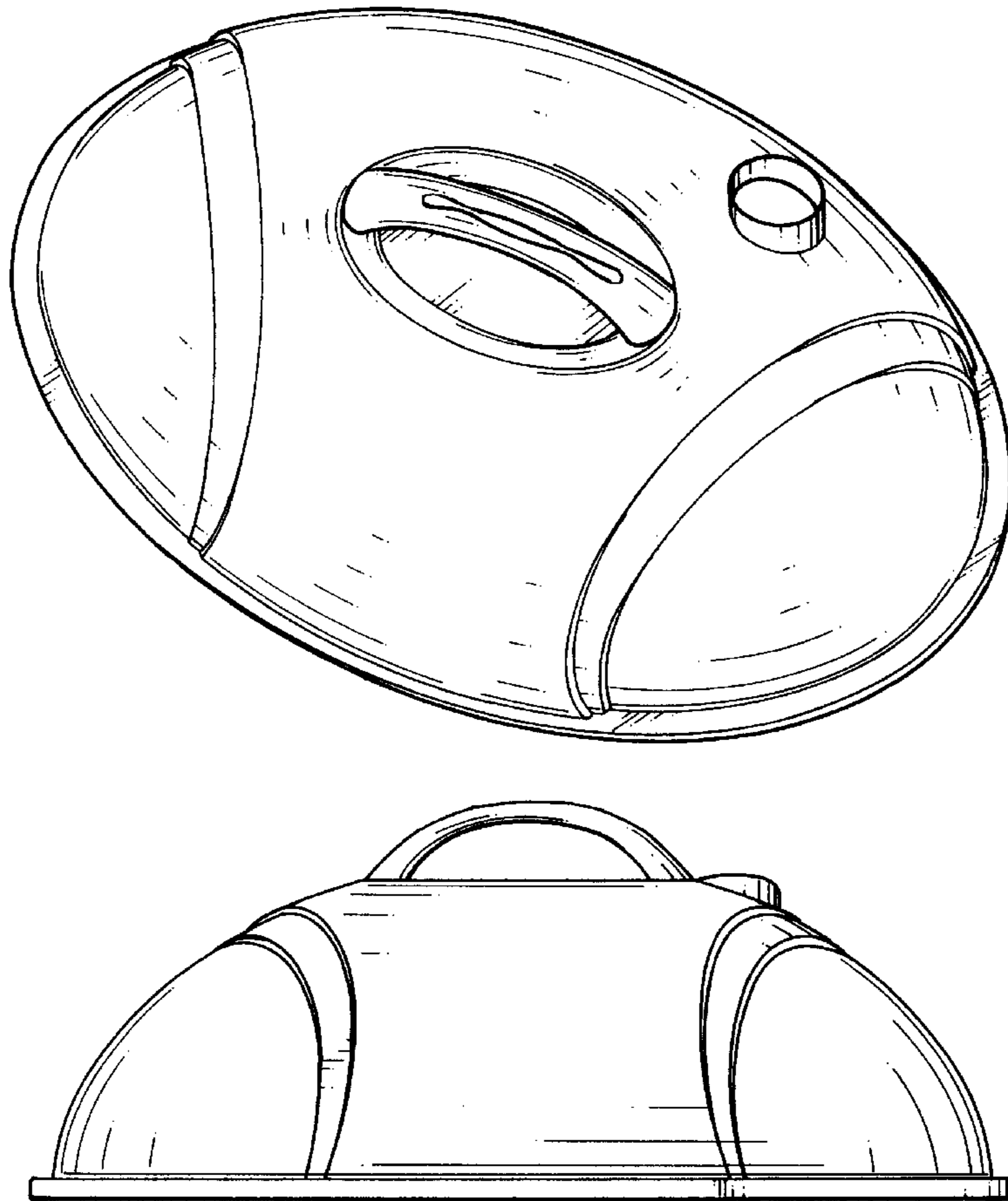
(57) **CLAIM**

The ornamental design for a grill lid, as shown.

**DESCRIPTION**

FIG. 1 is a perspective view of a grill lid showing my new design;  
 FIG. 2 is a front elevational view thereof;  
 FIG. 3 is a rear elevational view thereof;  
 FIG. 4 is a left side view thereof;  
 FIG. 5 is a right side view thereof;  
 FIG. 6 is a top plain view thereof; and,  
 FIG. 7 is a bottom plain view thereof.

**1 Claim, 4 Drawing Sheets**



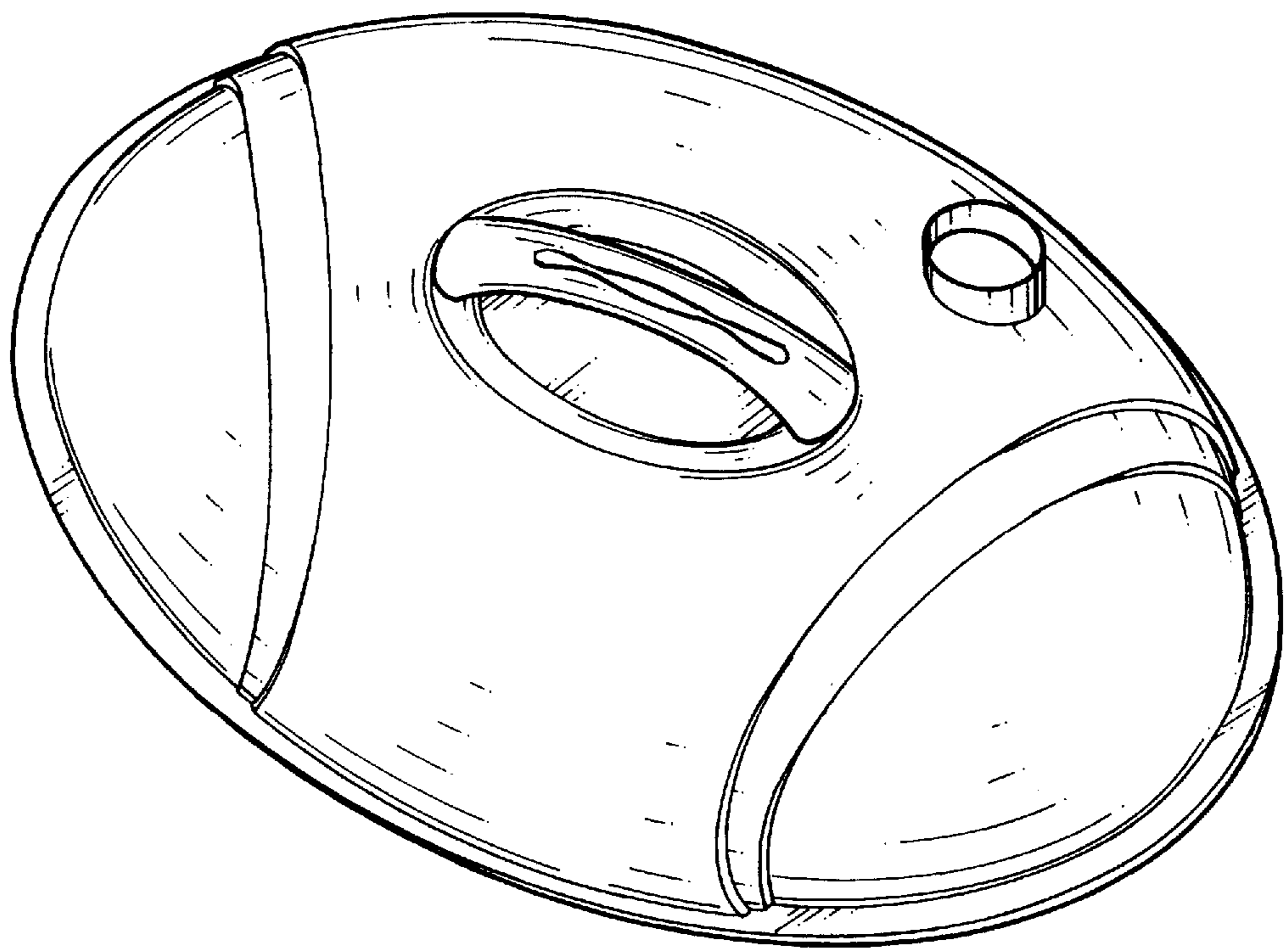


FIG. 1

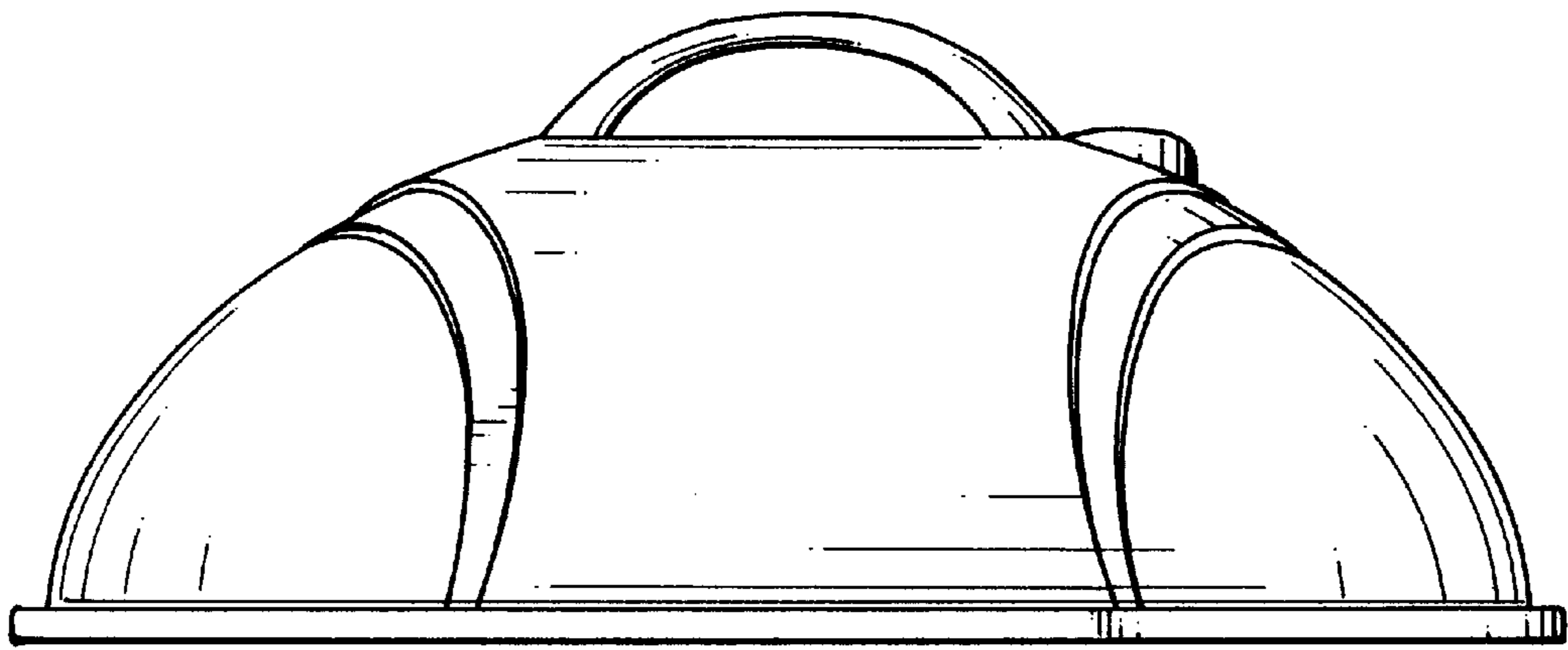


FIG. 2

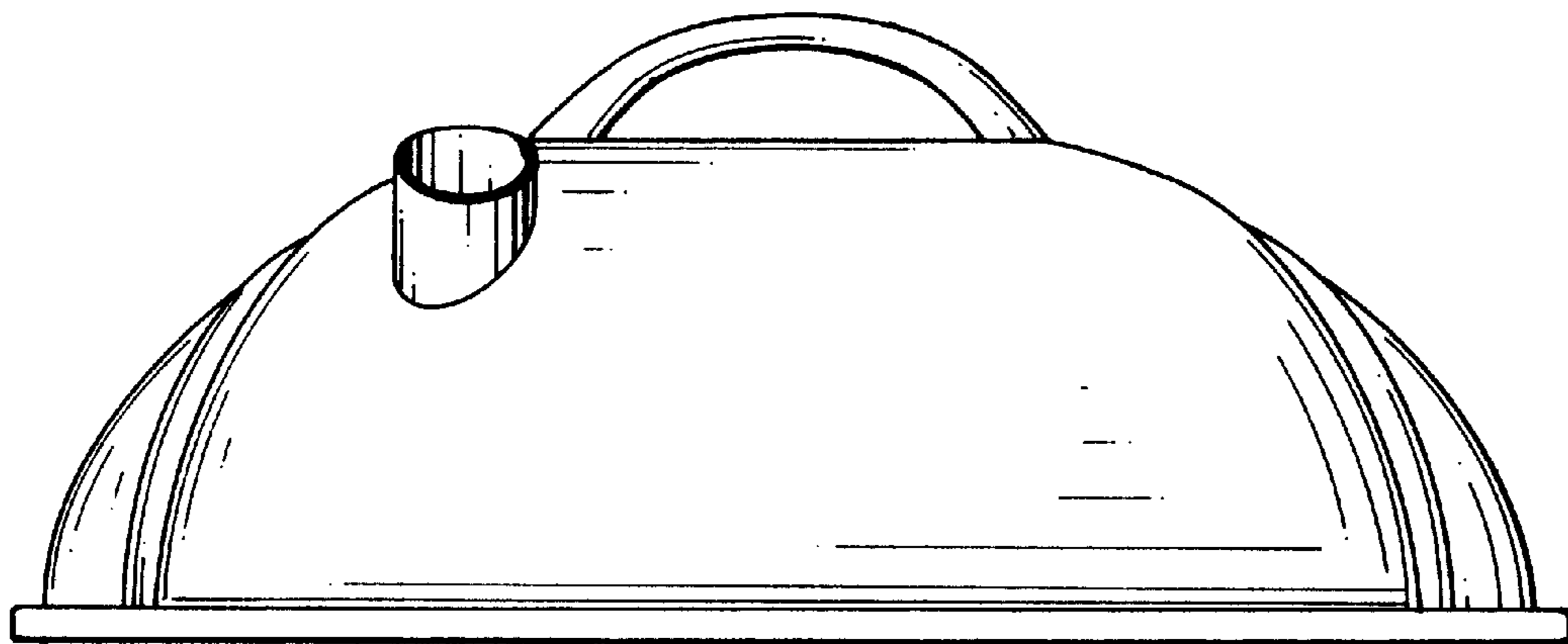


FIG. 3

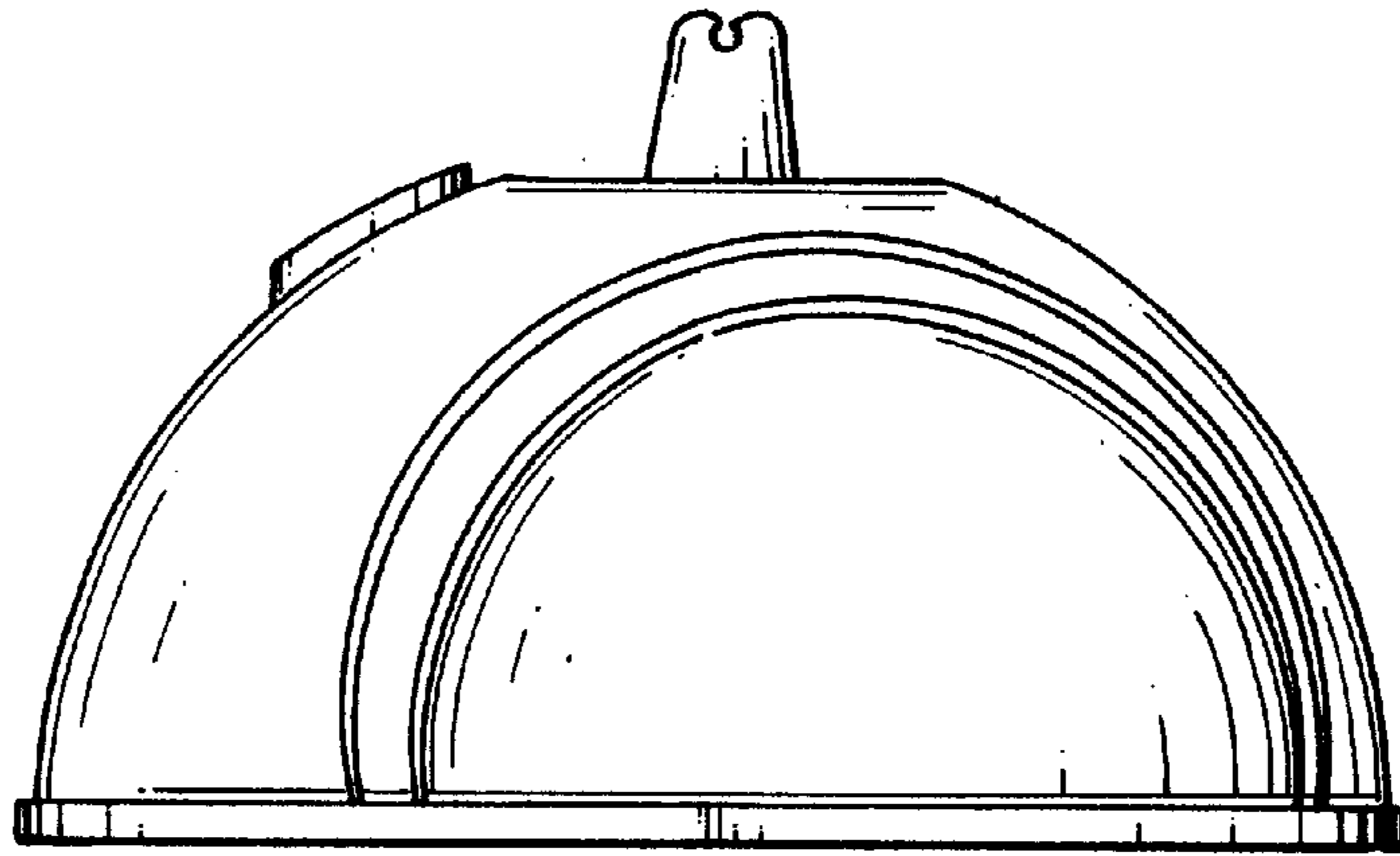


FIG. 4

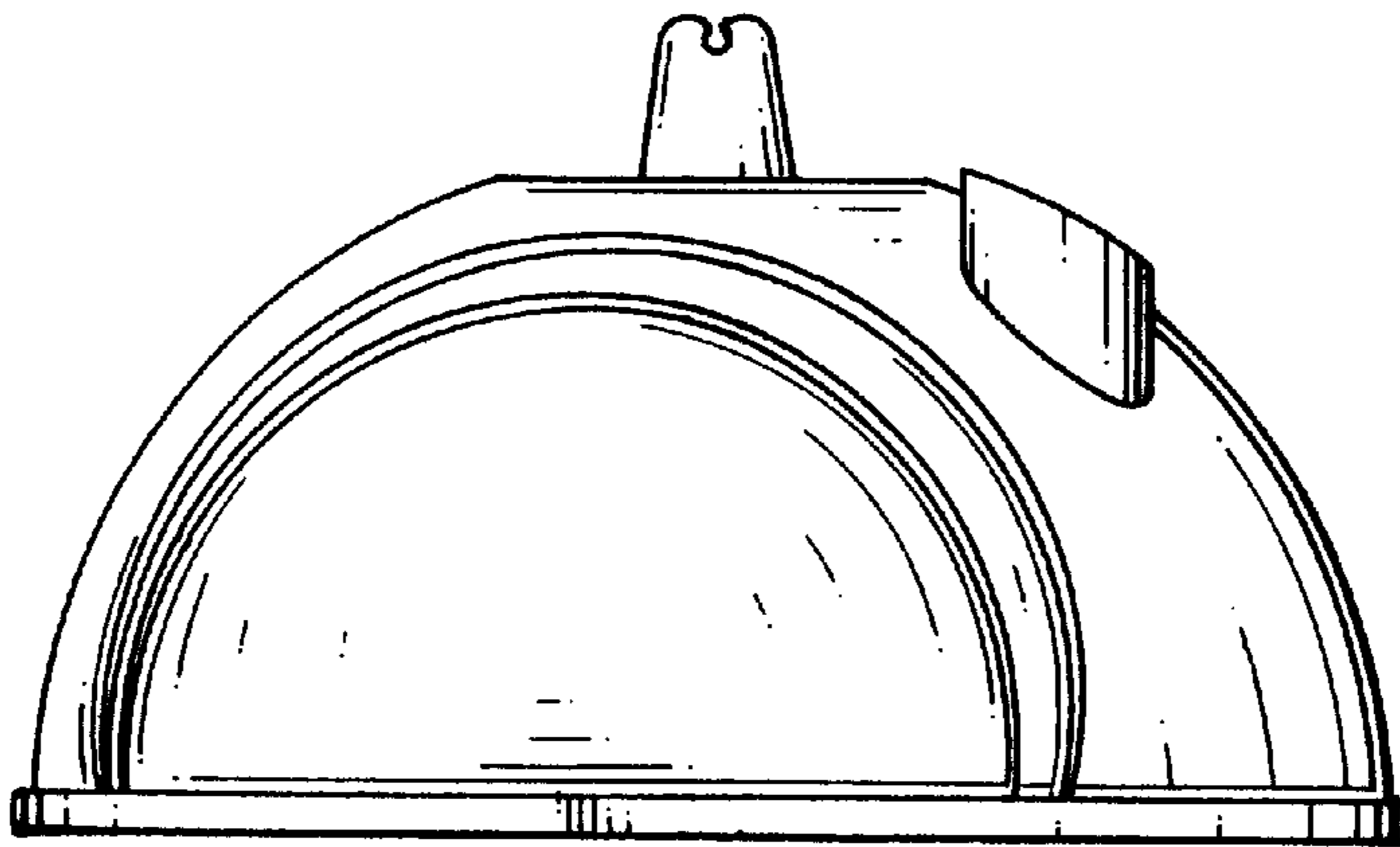


FIG. 5

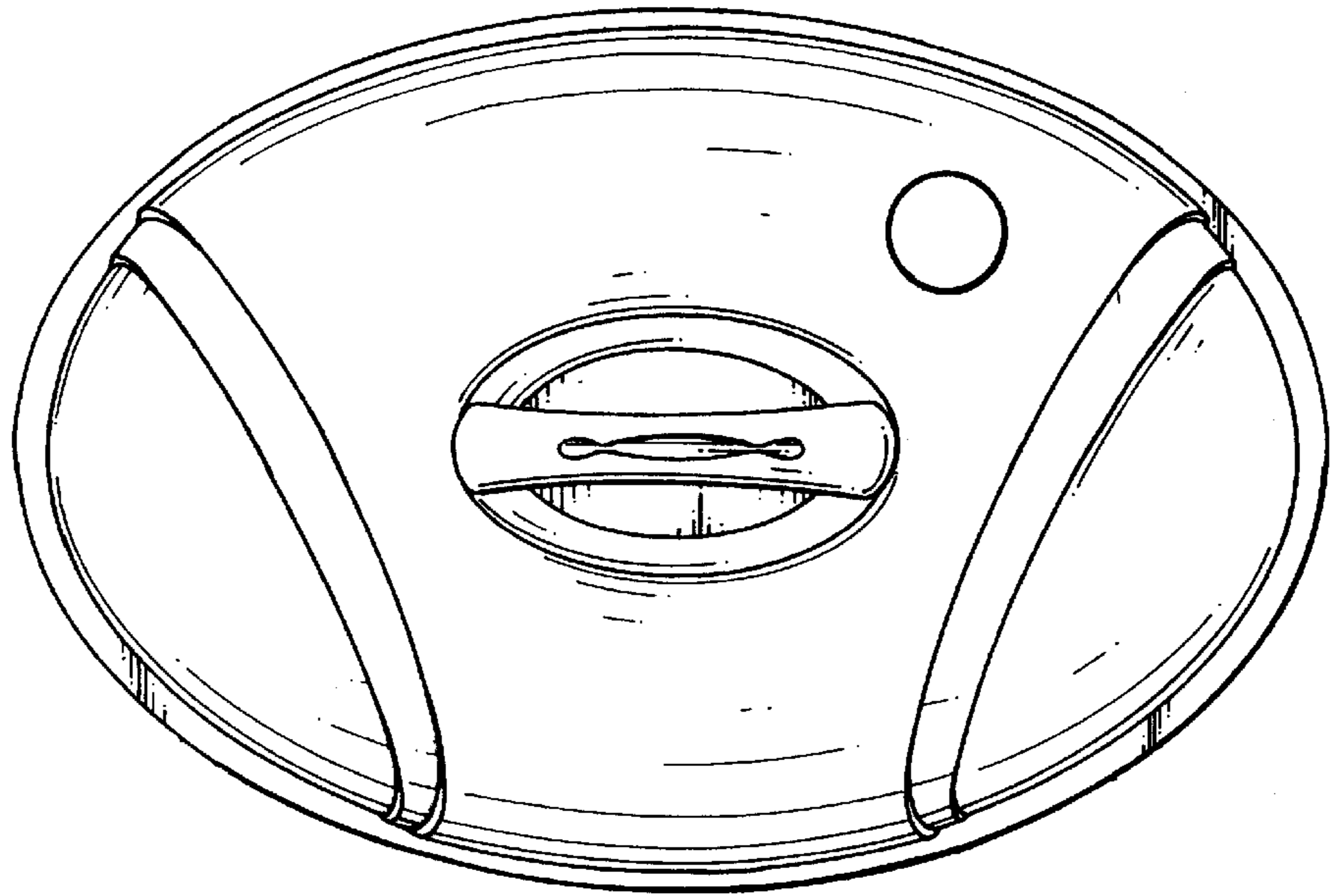


FIG. 6

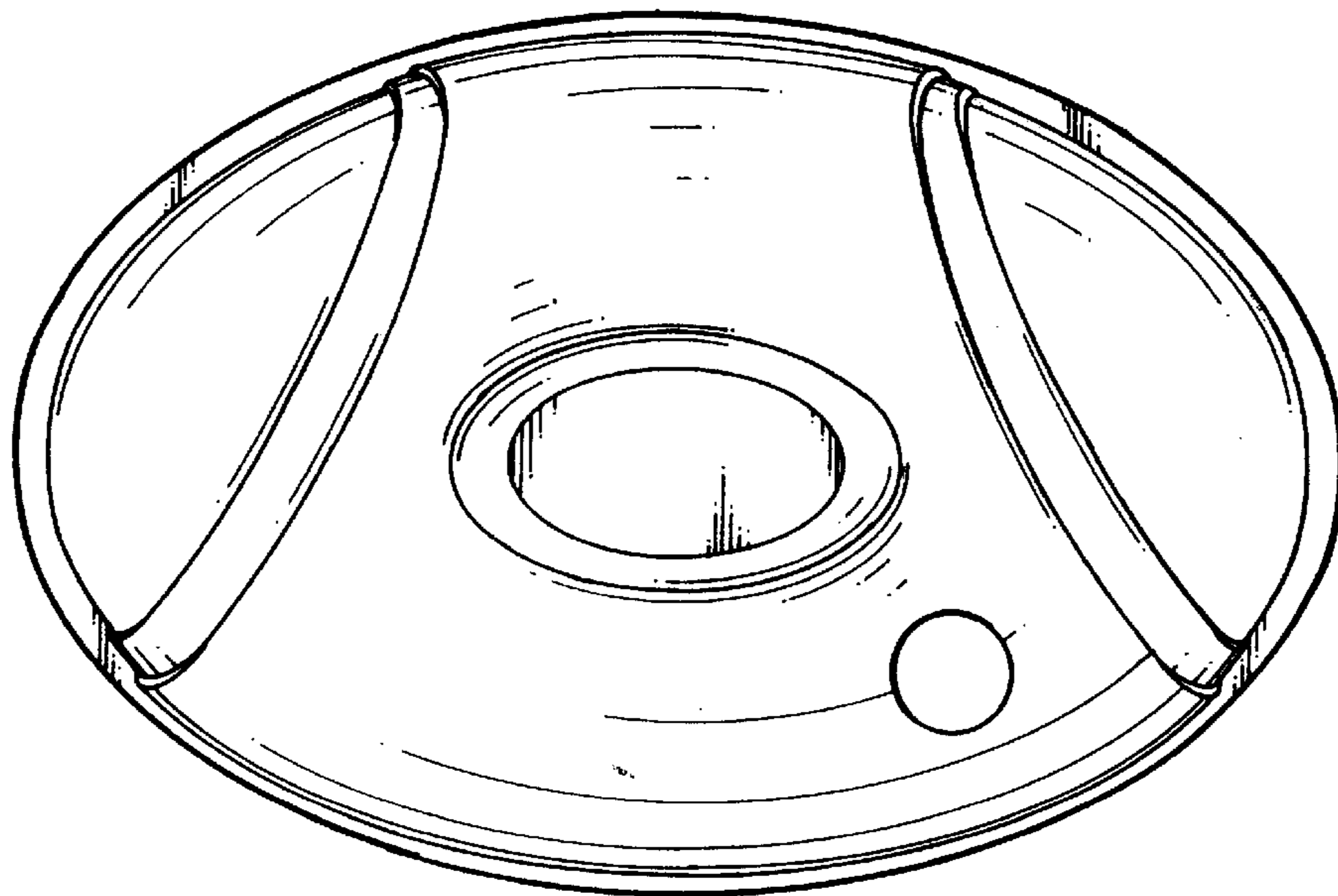


FIG. 7