



US00D443471S

(12) **United States Design Patent**
Lillelund et al.

(10) **Patent No.:** **US D443,471 S**
(45) **Date of Patent:** **** Jun. 12, 2001**

(54) **POUR SPOUT CAP**
(75) Inventors: **Stig Lillelund**, Gentofte; **Jakob Heiberg**, Charlottenlund; **Hanne Dalsgaard Jeppesen**, Holte, all of (DK); **Robert H. C. M. Daenen**, Herne (BE)

D. 330,485	10/1992	Daenen	D7/598
D. 382,763	8/1997	Jeppesen	D7/316
D. 408,887	4/1999	Hagen	D23/209
3,421,654	1/1969	Hexel	220/60
4,262,802	4/1981	Laauwe	206/540
5,125,525	6/1992	Tucker	220/254

(73) Assignee: **Dart Industries Inc.**, Orlando, FL (US)
(**) Term: **14 Years**

OTHER PUBLICATIONS

Inventor: D. Scott Miller 130505-D200—Container with Handle Indentions—Serial No. Unknown, Filed: Jul. 19, 1999.

(21) Appl. No.: **29/113,320**
(22) Filed: **Nov. 1, 1999**

Inventor: Hanne D. Jeppesen 130314-D200—Pouring Container—Serial No. 29/064,919, Filed: Jan. 14, 1997.

Inventor: J. Rushton Bailey 130369-D200—Multi-Stage Water Filter System—Serial No. 08/965,265, Filed Nov. 6, 1997.

Related U.S. Application Data

(62) Division of application No. 29/113,207, filed on Nov. 1, 1999.

* cited by examiner

(51) **LOC (7) Cl.** **07-01**

Primary Examiner—Mitchell Siegel

(52) **U.S. Cl.** **D7/398**

(74) *Attorney, Agent, or Firm*—Taylor J. Ross

(58) **Field of Search** D7/312, 313, 392, D7/392.1, 398, 612-615, 601, 602, 629; D9/428, 516, 523, 529, 549, 446, 447, 449; 222/153.07, 142.1-142.9, 457.5, 475.1, 480, 541.1, 516, 548; 220/375, 600, 675

(57) **CLAIM**

The ornamental design for a pour spout cap, as shown and described.

(56) **References Cited**

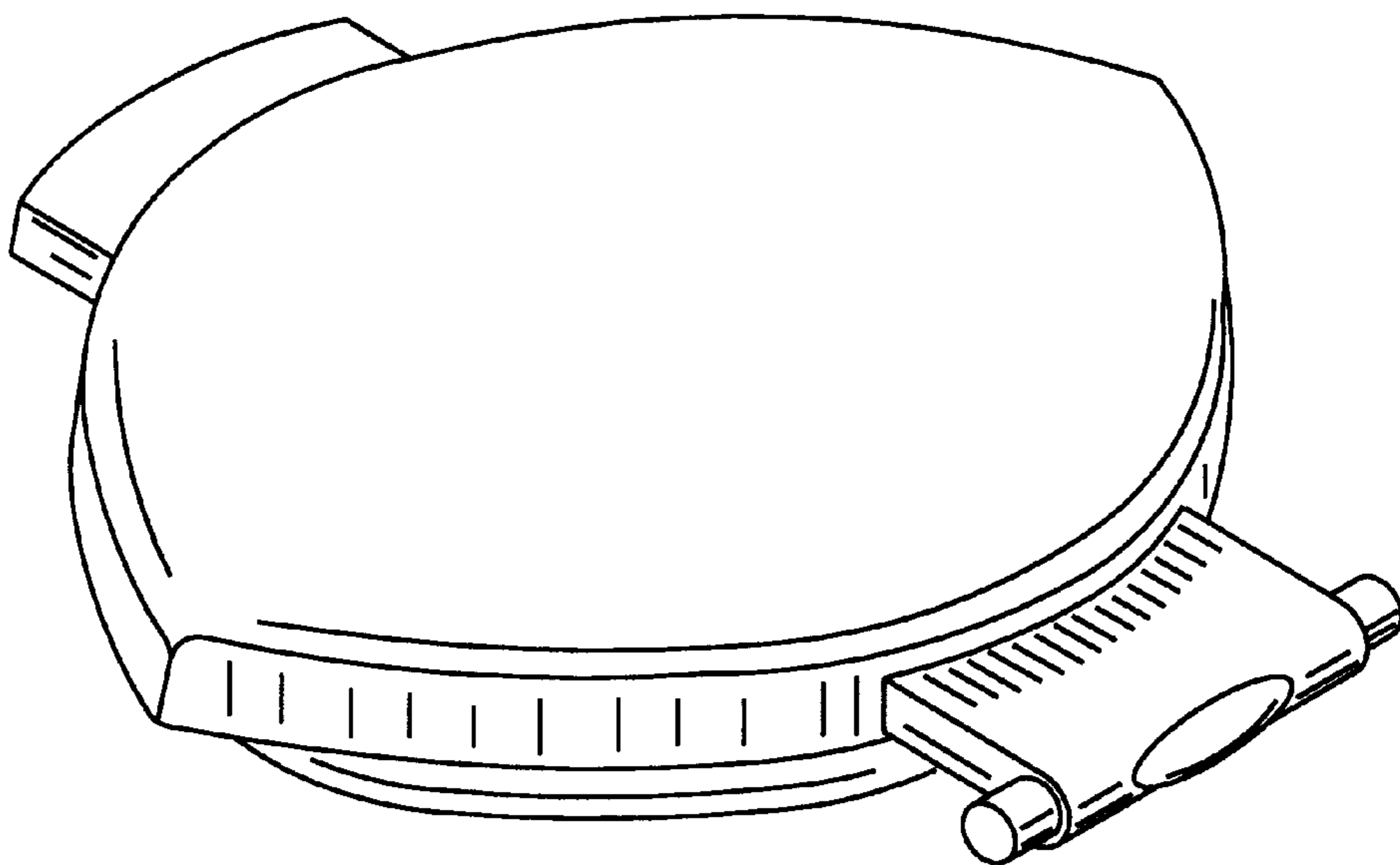
DESCRIPTION

U.S. PATENT DOCUMENTS

D. 199,505	11/1964	Swett	D58/17
D. 286,367	* 10/1986	Murphy	D9/523 X
D. 305,980	2/1990	Binder	D9/372
D. 311,665	10/1990	Carlson	D7/601
D. 314,708	* 2/1991	DeCoster	D9/449
D. 321,627	11/1991	Plough	D7/596

FIG. 1 is a top, side and rear perspective view of a pour spout cap showing the new design;
FIG. 2 is a left side elevation view thereof;
FIG. 3 is a right side elevation view thereof;
FIG. 4 is a rear elevation view thereof;
FIG. 5 is a front elevation view thereof;
FIG. 6 is a top plan view thereof; and,
FIG. 7 is a bottom plan view thereof.

1 Claim, 2 Drawing Sheets



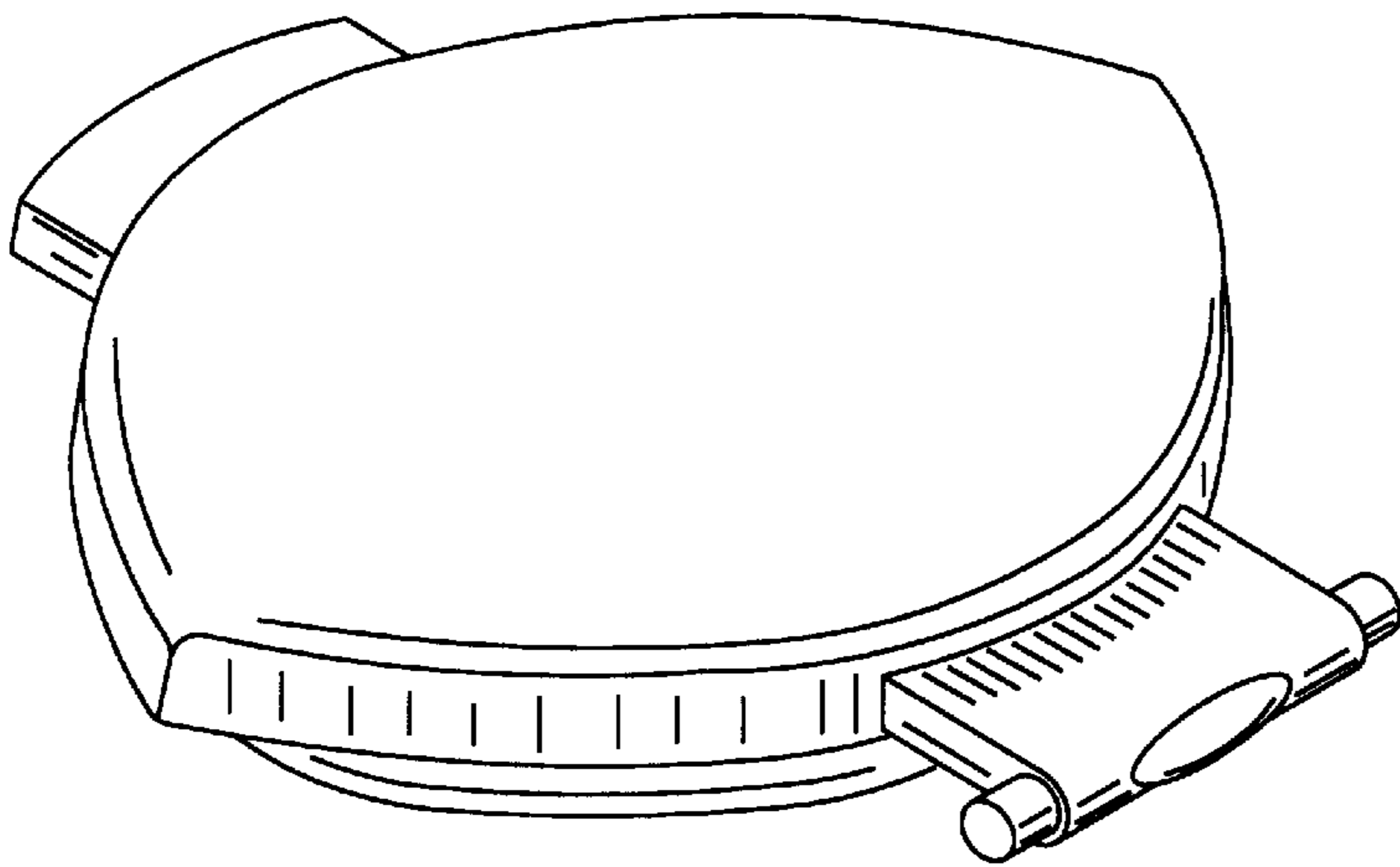


FIG. 1

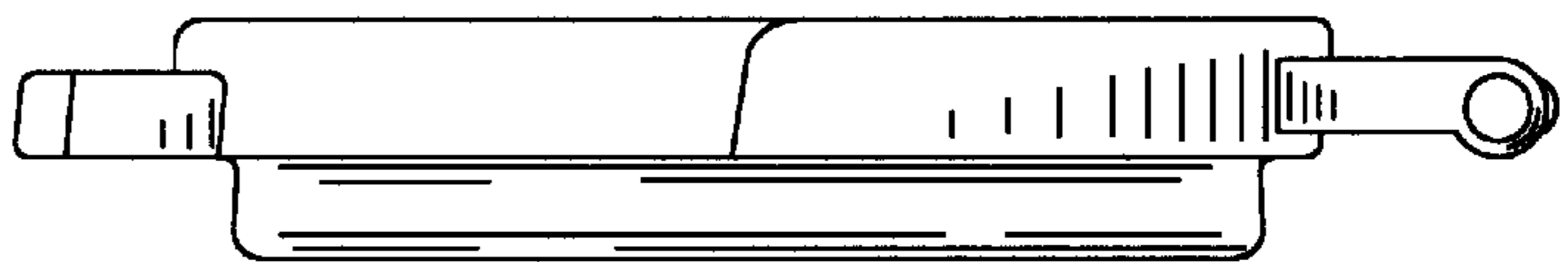


FIG. 2



FIG. 3

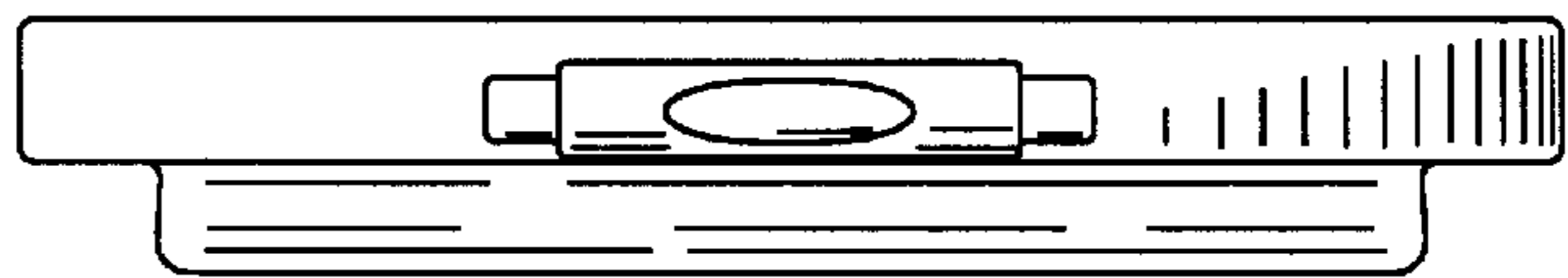


FIG. 4

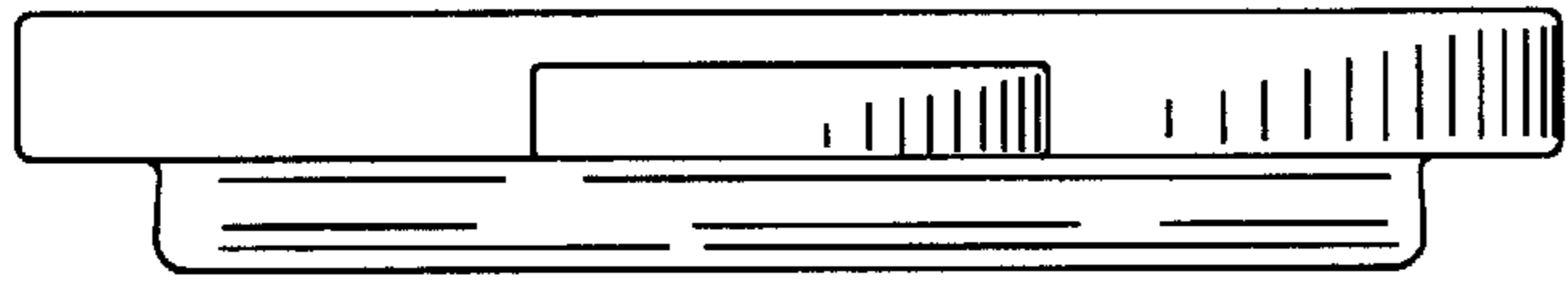


FIG. 5

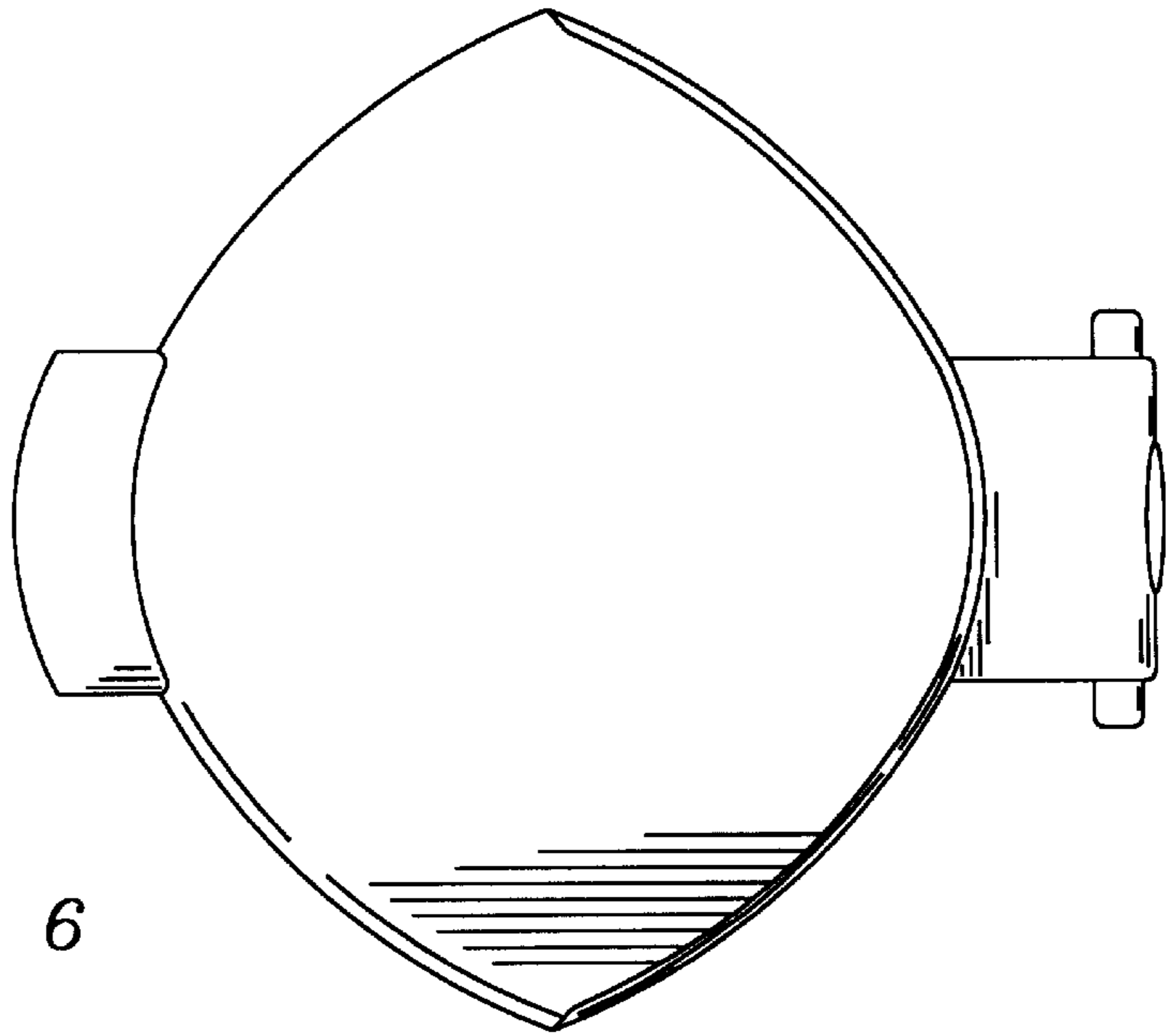


FIG. 6

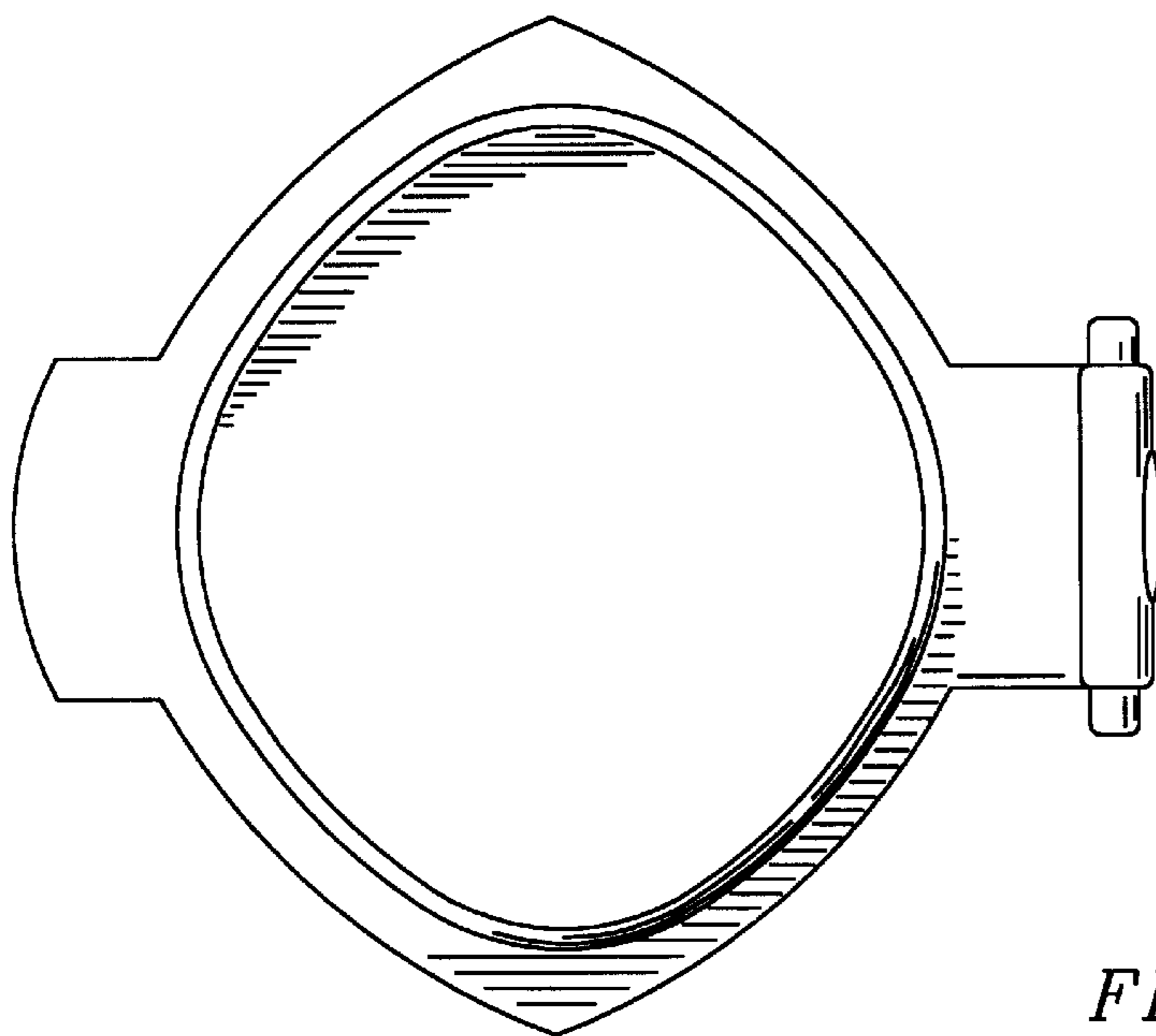


FIG. 7