



US00D443469S

(12) **United States Design Patent**
Coudurier

(10) **Patent No.:** **US D443,469 S**

(45) **Date of Patent:** **** Jun. 12, 2001**

(54) **HANDLE FOR KITCHEN UTENSILS**

(75) Inventor: **Olivier Coudurier**, Marigny St Marcel (FR)

(73) Assignee: **TEFAL S.A.**, Rumilly (FR)

(**) Term: **14 Years**

(21) Appl. No.: **29/129,681**

(22) Filed: **Sep. 21, 2000**

(30) **Foreign Application Priority Data**

Mar. 21, 2000 (FR) 00 1774

(51) **LOC (7) Cl.** **07-02**

(52) **U.S. Cl.** **D7/395**

(58) **Field of Search** D7/354-361, 393-395, D7/401.2; 220/752, 755, 769

(56) **References Cited**

U.S. PATENT DOCUMENTS

D. 140,046 * 1/1945 Behl D7/394
D. 216,907 * 3/1970 Connor D7/395

D. 411,708 * 6/1999 O'Brien D7/393
D. 423,282 * 4/2000 Montgelard D7/395
D. 431,414 * 10/2000 Munari D7/395

* cited by examiner

Primary Examiner—Caron D. Veynar

(74) *Attorney, Agent, or Firm*—Young & Thompson

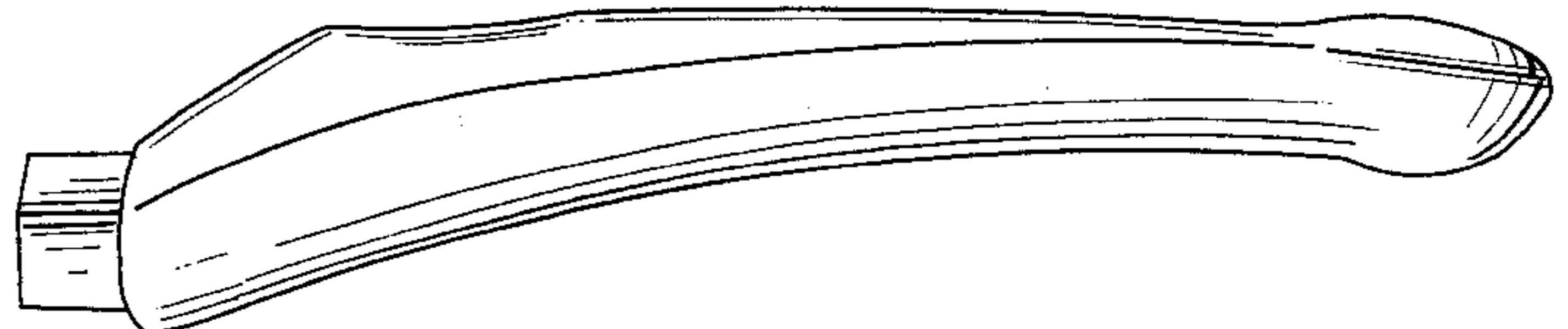
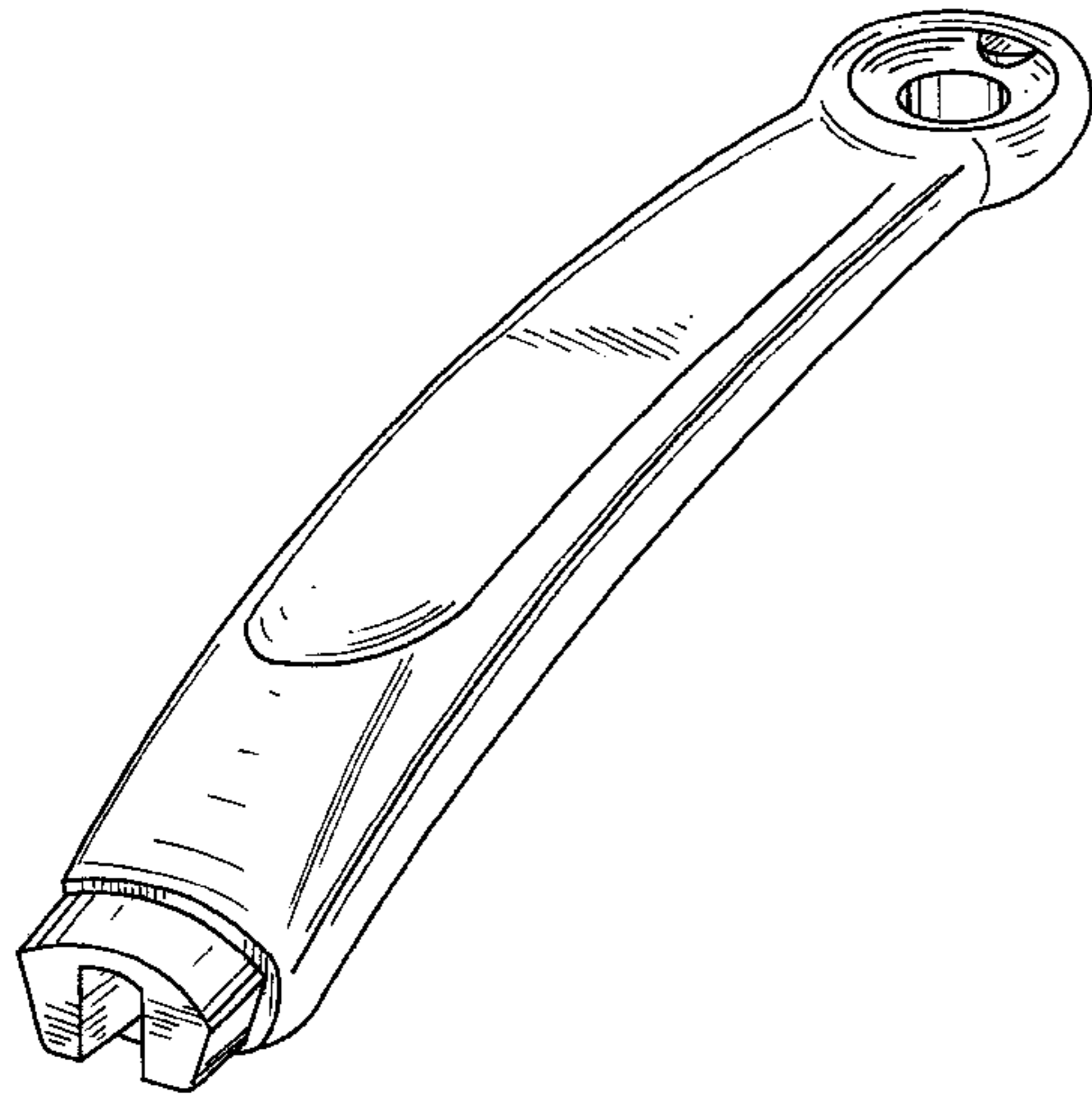
(57) **CLAIM**

The ornamental design for a handle for kitchen utensils, as shown and described.

DESCRIPTION

FIG. 1 is a top and side perspective view of a handle for kitchen utensils, showing my new design;
FIG. 2 is a top plan view thereof;
FIG. 3 is a bottom plan view thereof;
FIG. 4 is a side elevational view thereof, the side opposite that shown in FIG. 4 being the mirror image thereof;
FIG. 5 is an end elevational view thereof from the left of FIG. 4; and,
FIG. 6 is an end elevational view thereof from the right of FIG. 4.

1 Claim, 2 Drawing Sheets



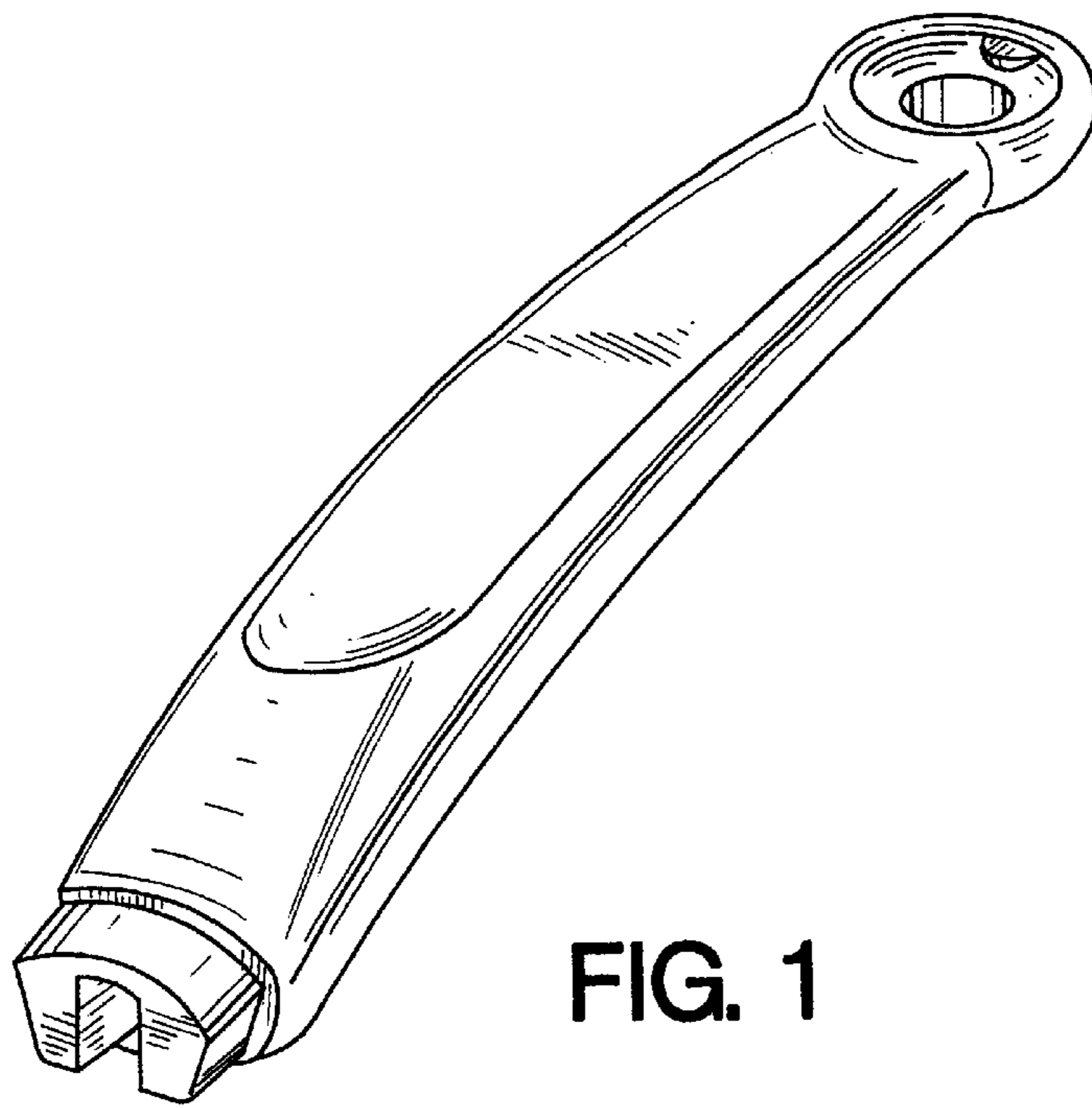


FIG. 1

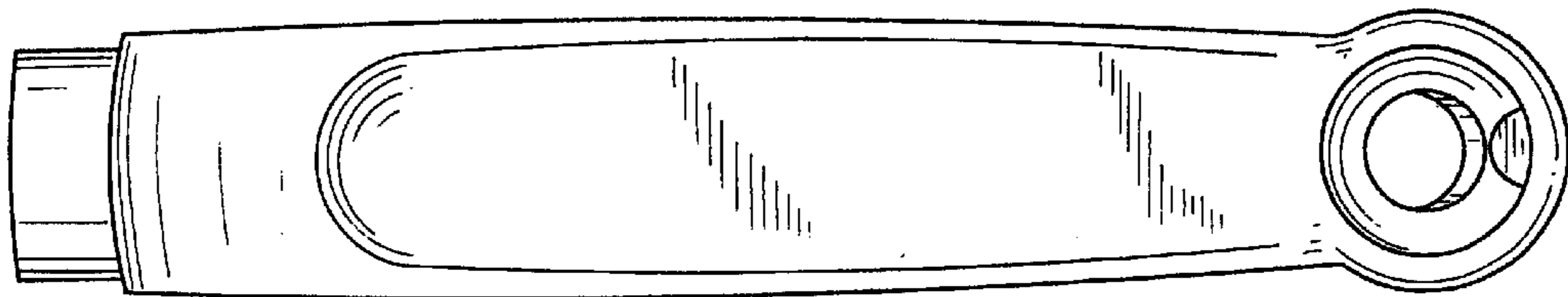


FIG. 2

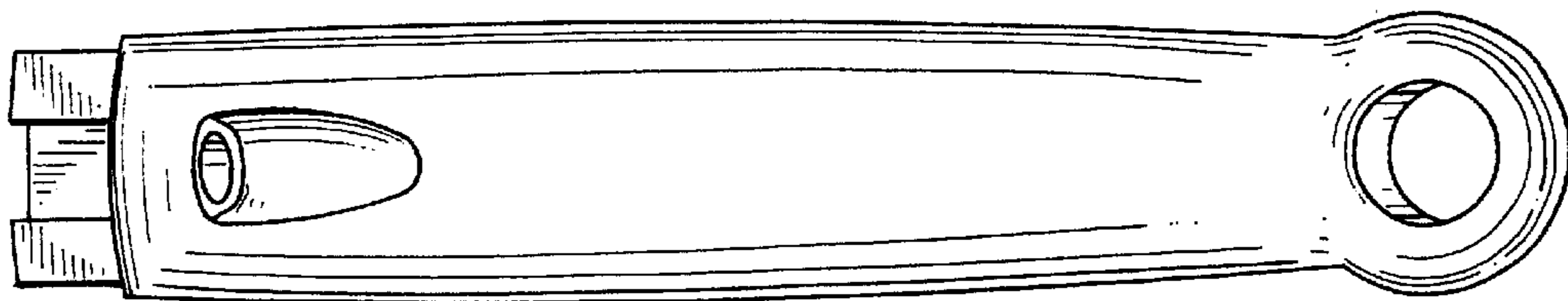


FIG. 3



FIG. 4

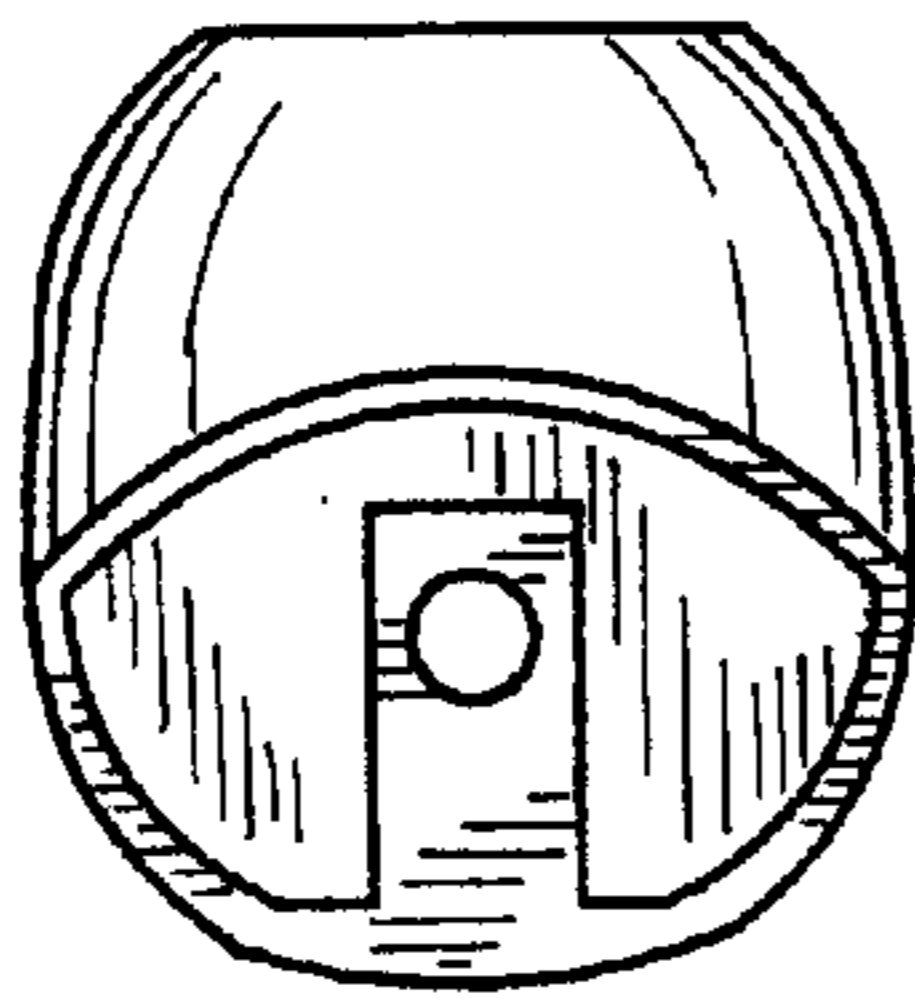


FIG. 5

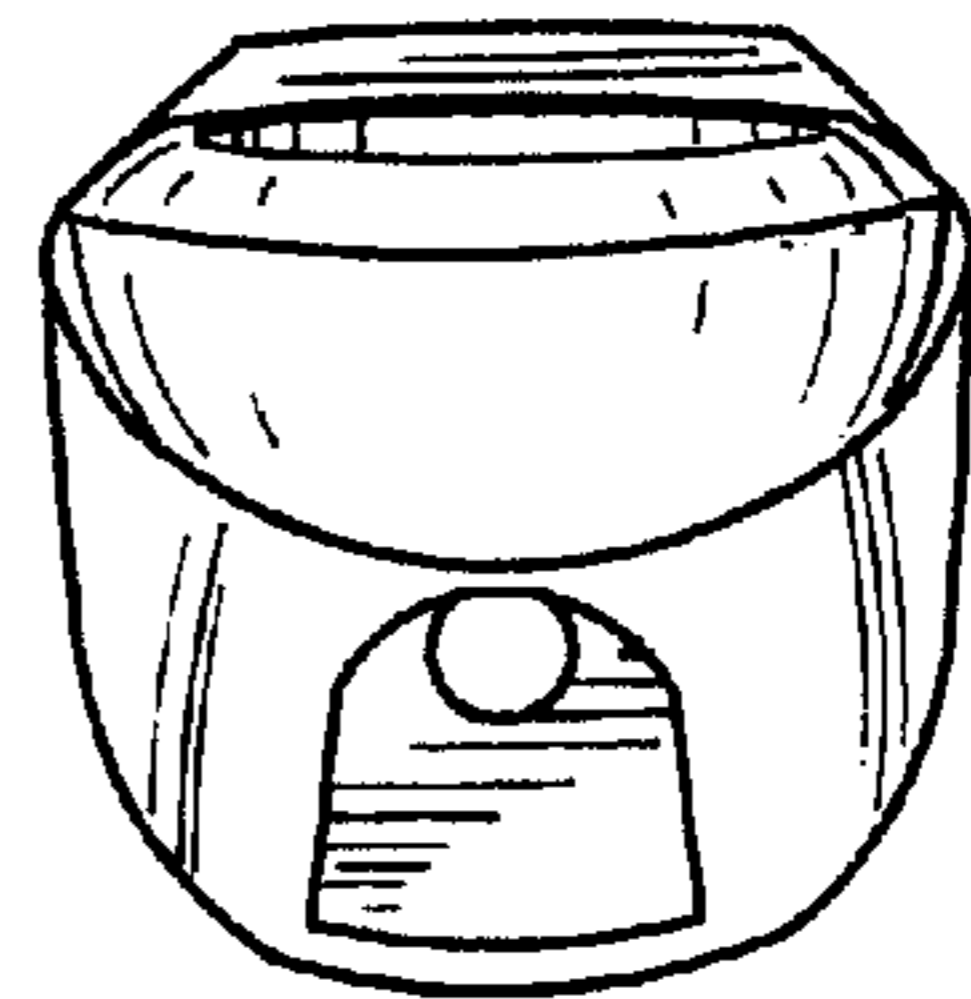


FIG. 6