



US00D443463S

(12) **United States Design Patent**
Szollsoy

(10) **Patent No.:** **US D443,463 S**

(45) **Date of Patent:** **** Jun. 12, 2001**

(54) **BARBEQUE GRILL**

(76) **Inventor:** **Gigi Szollsoy**, 22 Everment Rd.,
Wharton, NJ (US) 07885-2806

(**) **Term:** **14 Years**

(21) **Appl. No.:** **29/122,164**

(22) **Filed:** **Apr. 20, 2000**

(51) **LOC (7) Cl.** **07-02**

(52) **U.S. Cl.** **D7/332**

(58) **Field of Search** D7/332-337, 402-404;
99/419, 421 R, 481-482, 467; 126/25 R,
25 A, 25 AA, 9 R, 39 R, 41 R

(56) **References Cited**

U.S. PATENT DOCUMENTS

D. 220,299	*	3/1971	Schott	D7/332
D. 263,440		3/1982	Feild	D7/107
D. 282,619	*	2/1986	Fitzgerald et al.	D7/332
D. 292,547		11/1987	Bayer	D7/332
D. 301,106	*	5/1989	Oliphant	D7/332
D. 302,641	*	8/1989	Elmburg	D7/332
D. 351,307		10/1994	Birmingham	D7/334
D. 366,804		2/1996	Kitten	D7/334

D. 370,380	6/1996	Mcgourthy, Jr.	D7/334
D. 373,047	8/1996	Mccrary et al.	D7/334
D. 388,277	12/1997	Scroggins	D7/332
D. 395,982	7/1998	Dunn et al.	D7/402
D. 396,599	8/1998	Smith, Jr.	D7/332
D. 397,580	9/1998	Dunn et al.	D7/332
3,105,483	* 10/1963	Bryan	126/9 R
4,706,642	* 11/1987	Sims et al.	126/9 R

* cited by examiner

Primary Examiner—Ruth McInroy

(74) *Attorney, Agent, or Firm*—Klauber & Jackson

(57) **CLAIM**

The ornamental design for a barbeque grill, as shown.

DESCRIPTION

FIG. 1 is a left side view of a barbeque grill showing my new design,

FIG. 2 is a right side view thereof;

FIG. 3 is a rear view thereof;

FIG. 4 is a front view thereof; and,

FIG. 5 is a top view thereof.

The gas hose is shown broken away in FIGS. 1-4 and is understood to represent indeterminate length.

1 Claim, 5 Drawing Sheets

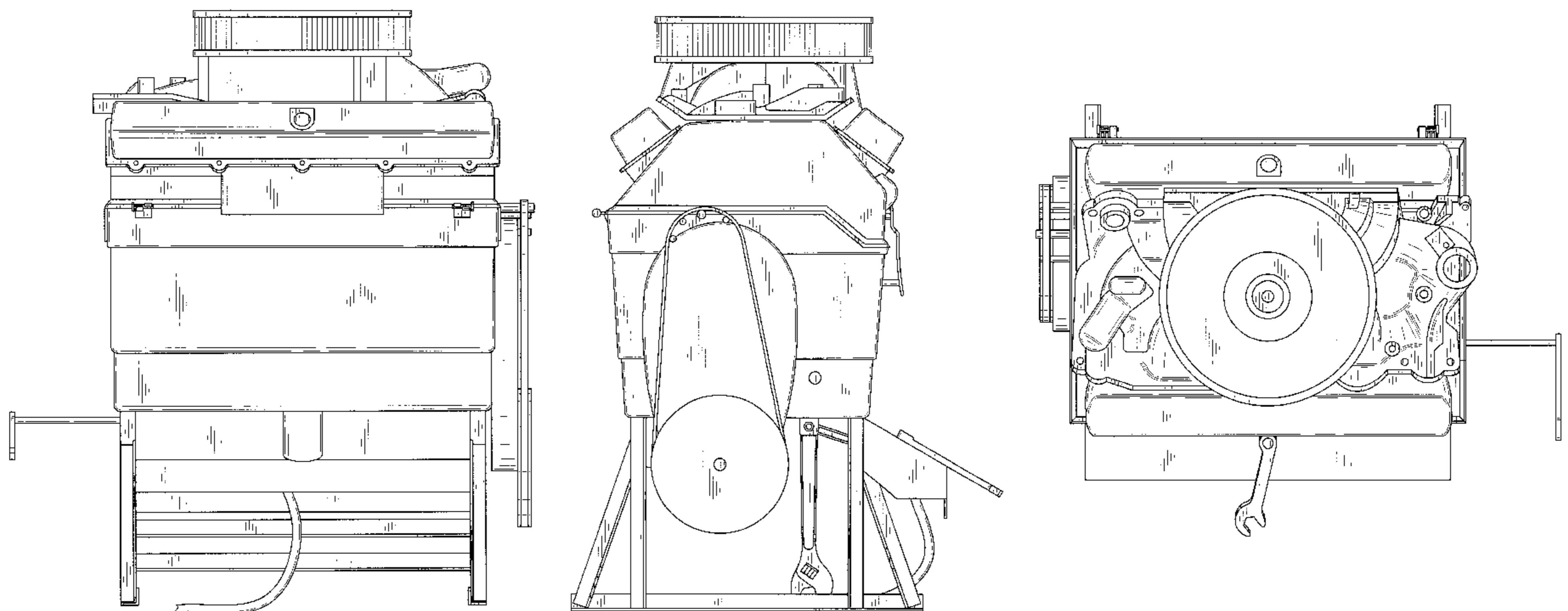


FIG. 1

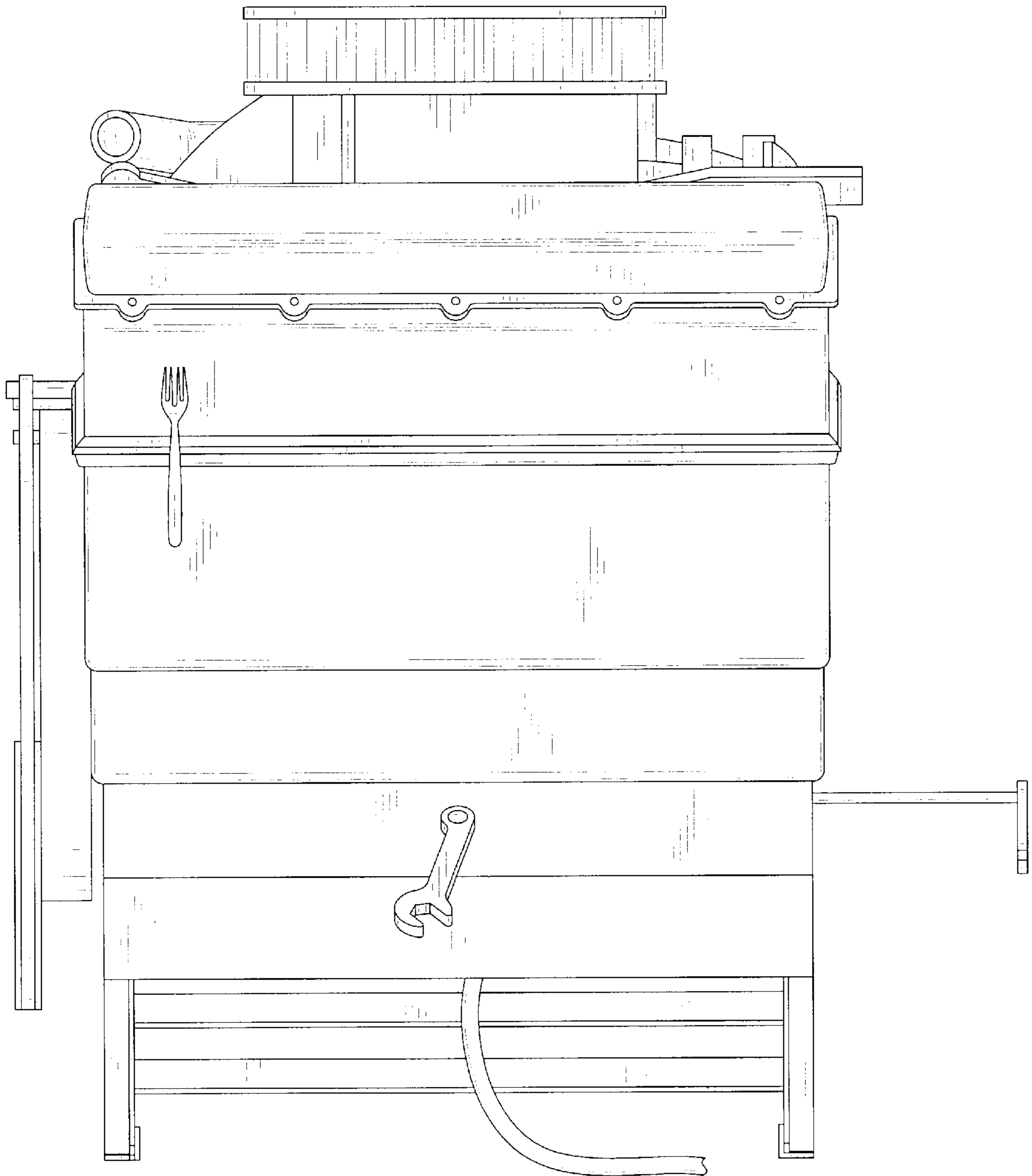


FIG. 2

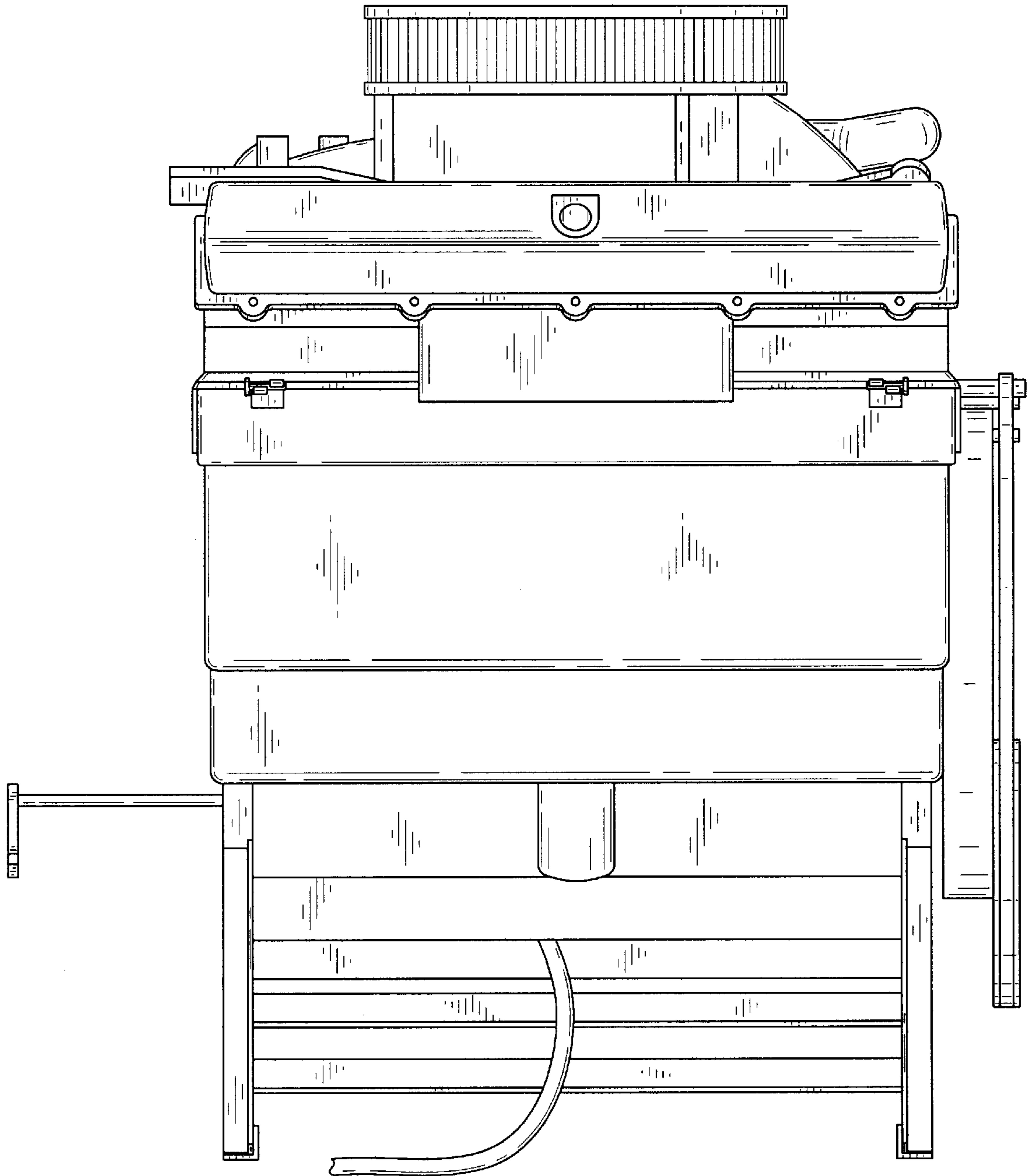


FIG. 3

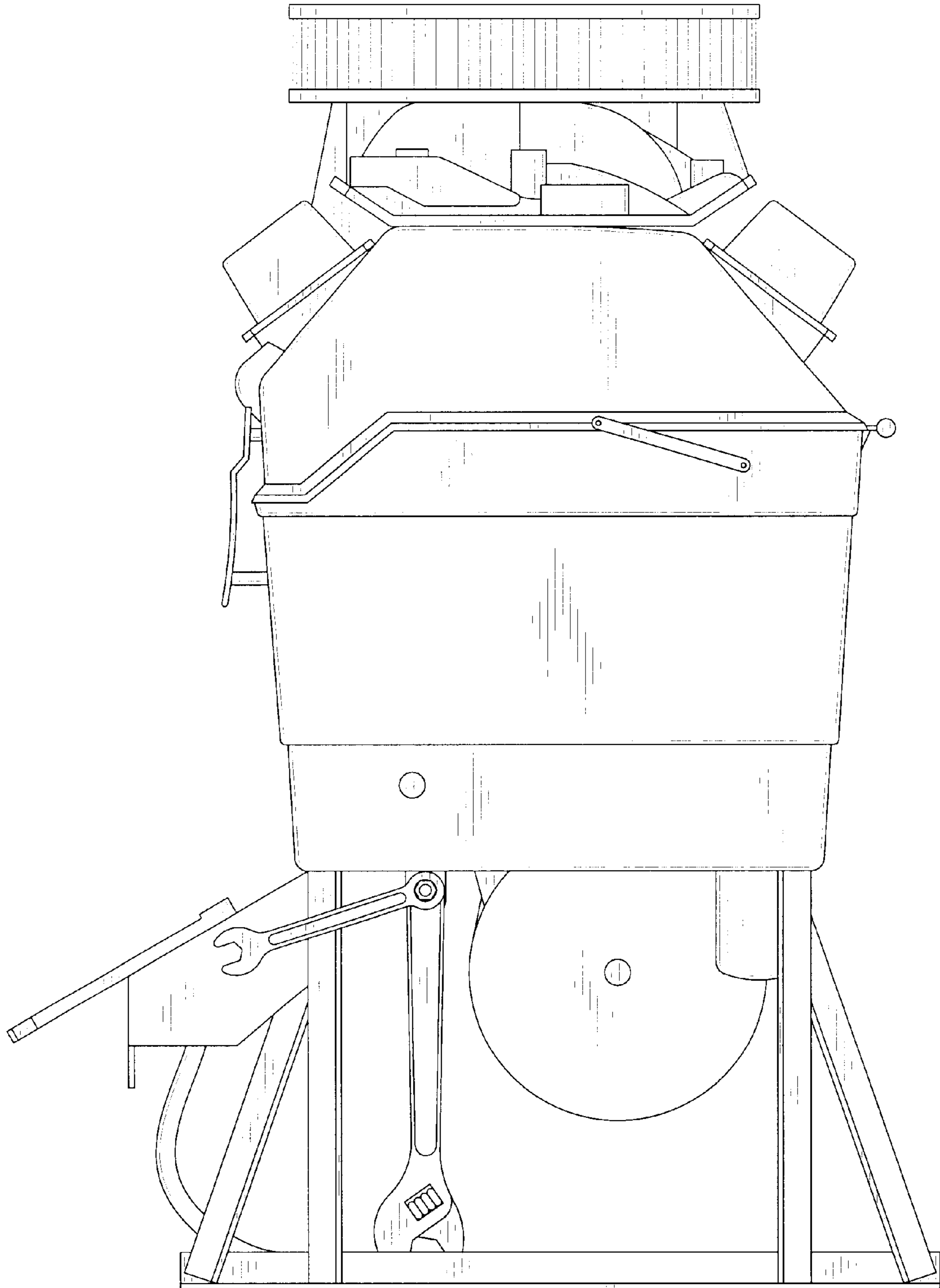


FIG. 4

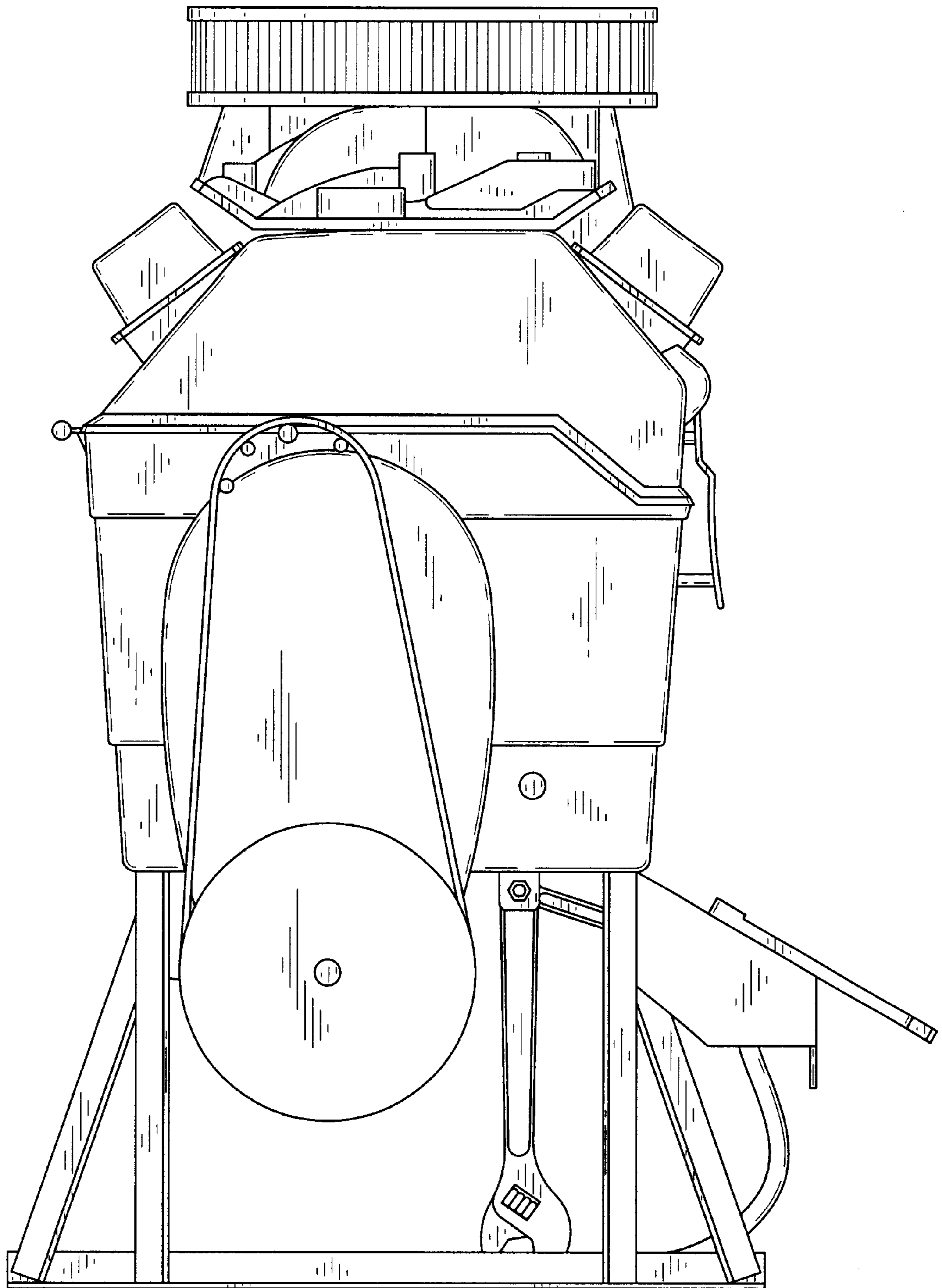


FIG. 5

