



US00D443462S

(12) **United States Design Patent**
Pai

(10) **Patent No.:** **US D443,462 S**

(45) **Date of Patent:** **** Jun. 12, 2001**

- (54) **BARBECUE GRILL**
- (76) Inventor: **Lucas Pai**, No. 124, Ying-Hua Rd.,
Hsitun Dist., Taichung (TW)
- (**) Term: **14 Years**
- (21) Appl. No.: **29/121,322**
- (22) Filed: **Apr. 3, 2000**
- (51) **LOC (7) Cl.** **07-02**
- (52) **U.S. Cl.** **D7/332**
- (58) **Field of Search** D7/332-337, 402-404;
99/419, 421 R, 481-482, 467; 126/25 R,
25 A, 25 AA, 9 R, 39 R, 41 R

- 3,759,164 9/1973 Robinson .
- 3,785,275 1/1974 Keats et al. .
- 3,828,759 8/1974 Cooper .
- 3,877,458 4/1975 Allander .
- 3,946,893 3/1976 Bowersmith .
- 4,089,258 5/1978 Berger .
- 4,108,142 8/1978 Barson et al. .
- 4,127,914 12/1978 Fischbach .
- 4,353,347 10/1982 Seed .
- 4,553,524 11/1985 Wheat et al. .
- 4,966,126 10/1990 Wu .
- 5,036,832 8/1991 Schlosser et al. .
- 5,111,802 5/1992 Lin .
- 5,159,917 11/1992 Archer et al. .
- 5,179,932 1/1993 DeCarlo .
- 5,213,075 5/1993 Stephen et al. .
- 6,073,623 * 6/2000 Maschhoff 126/25 R

(56) **References Cited**

U.S. PATENT DOCUMENTS

- D. 128,187 * 7/1941 Bitney D7/332
- D. 164,978 * 10/1951 Bitney D7/332
- D. 188,879 9/1960 Gauss et al. .
- D. 202,751 * 11/1965 Dundholm D7/337
- D. 268,391 * 3/1983 Craco D7/332
- D. 315,079 3/1991 Jui-Yen .
- D. 350,668 9/1994 Giebel et al. .
- D. 381,860 8/1997 Chiang .
- 728,058 5/1903 Weber .
- 1,010,037 11/1911 Frisz .
- 1,349,457 8/1920 Hurd .
- 1,355,332 10/1920 Hanson .
- 2,898,846 8/1959 Del Francia .
- 2,910,059 10/1959 Gehne .
- 3,040,651 6/1962 Nolte .
- 3,096,706 * 7/1963 Cardwell 99/340
- 3,171,398 3/1965 Lawson .
- 3,217,634 11/1965 Fox .
- 3,306,281 2/1967 Hoebel .
- 3,373,678 3/1968 Miller .
- 3,421,493 * 1/1969 Miller 126/25 R
- 3,430,621 3/1969 Doty .
- 3,500,813 3/1970 Opdahl .

OTHER PUBLICATIONS

In Re Weber-Stephen Products Co., 3 U.S.P.Q.2d 1659. Jun. 1987.

* cited by examiner

Primary Examiner—Ruth McInroy
(74) *Attorney, Agent, or Firm*—Kolisich Hartwell Dickinson
McCormack & Heuser

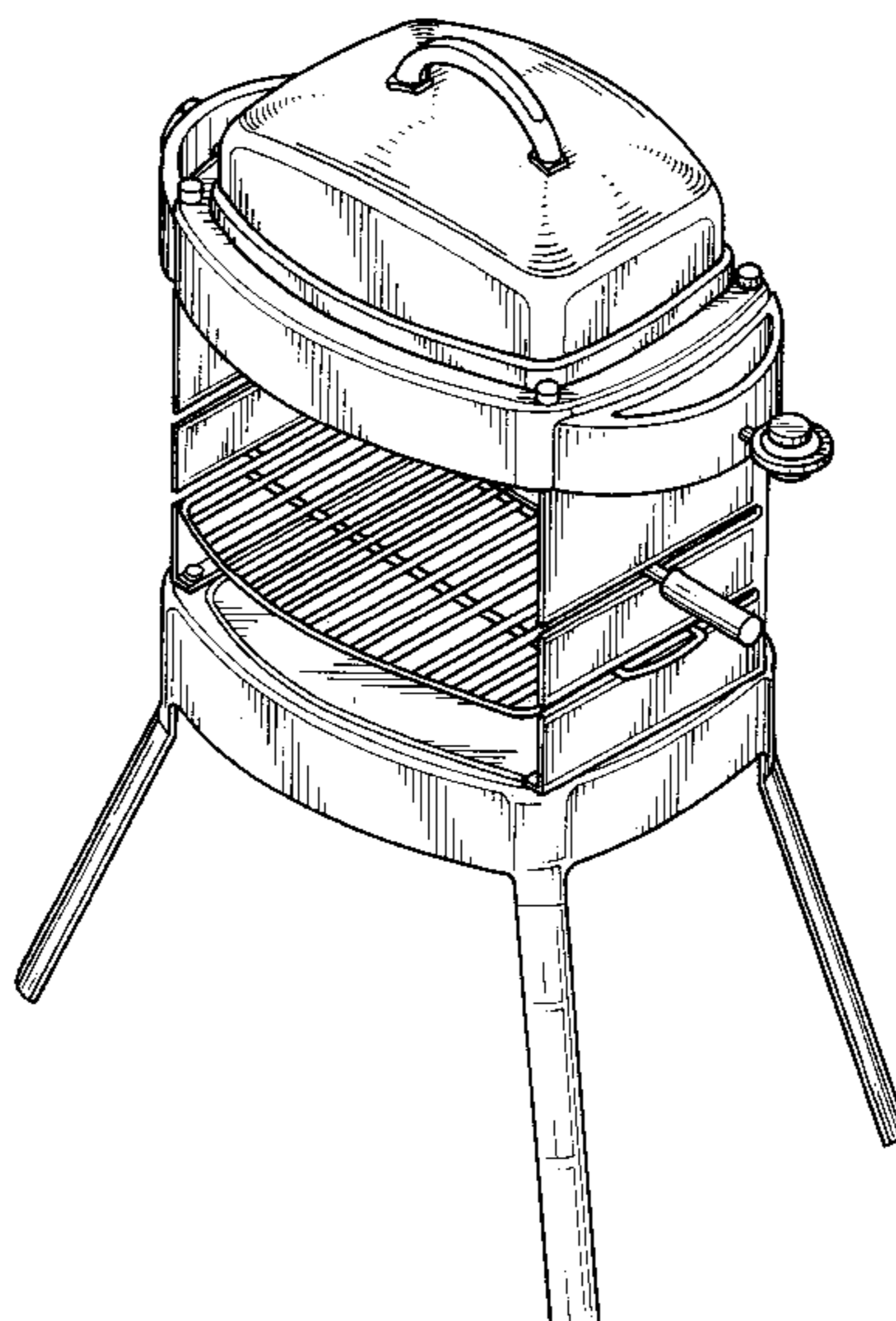
(57) **CLAIM**

The ornamental design for a barbecue grill, as shown.

DESCRIPTION

FIG. 1 is a front-right-top perspective view of a barbecue grill, showing my new design;
FIG. 2 is a front elevational view thereof;
FIG. 3 is a rear elevational view thereof;
FIG. 4 is a left side elevational view thereof;
FIG. 5 is a right side elevational view thereof;
FIG. 6 is a top plan view thereof; and,
FIG. 7 is a bottom plan view thereof.

1 Claim, 6 Drawing Sheets



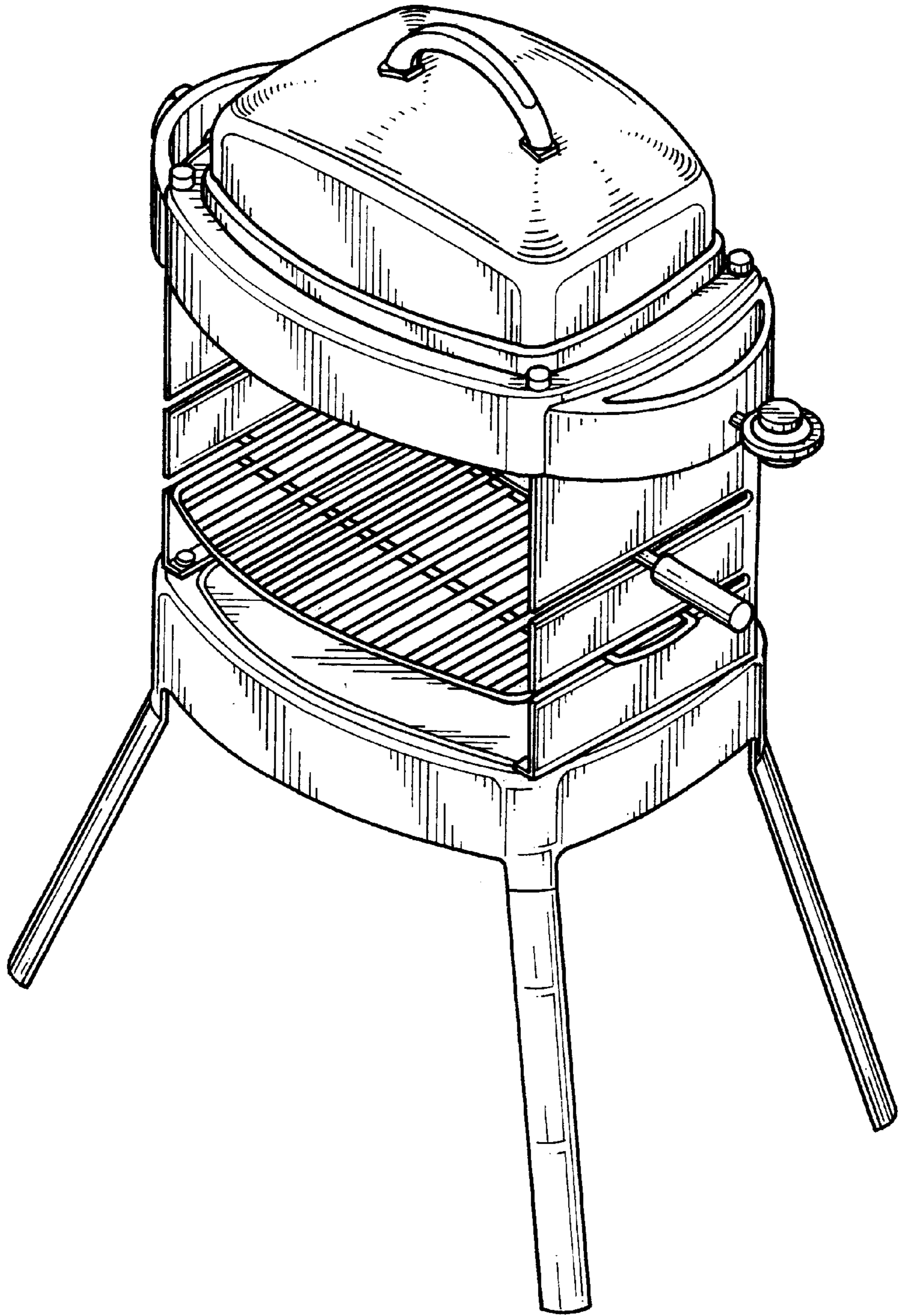


FIG. 1

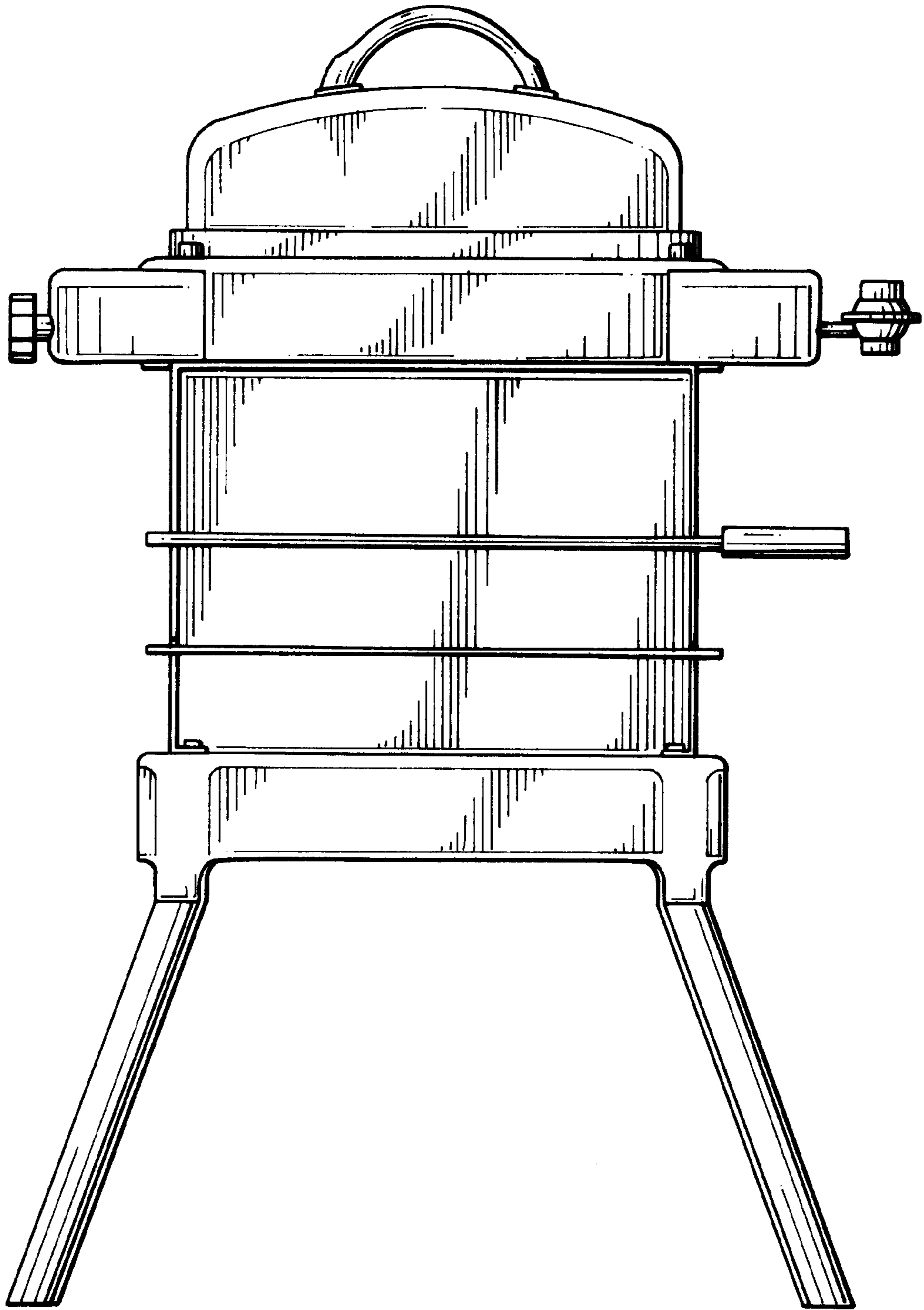


FIG. 2

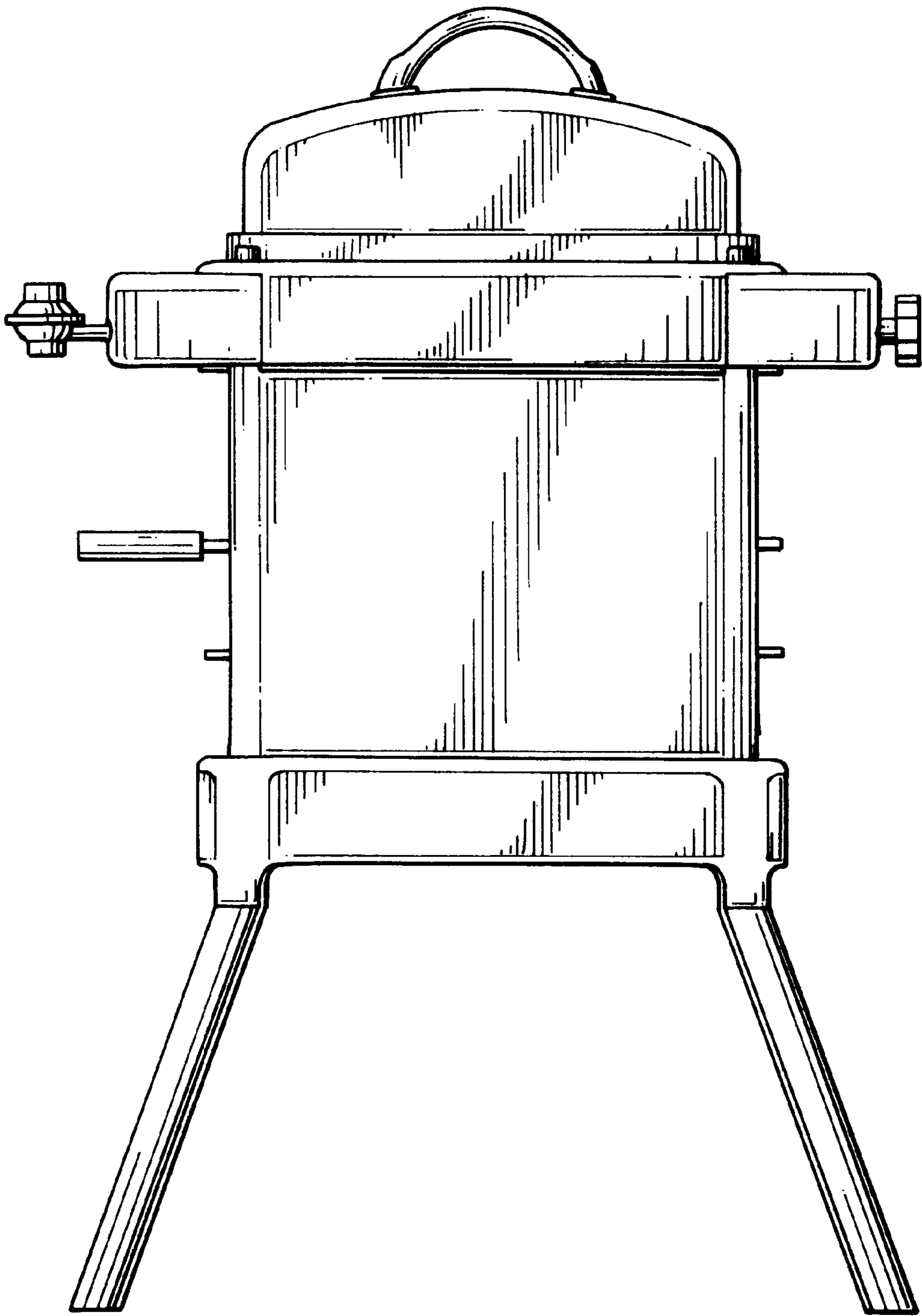


FIG. 3

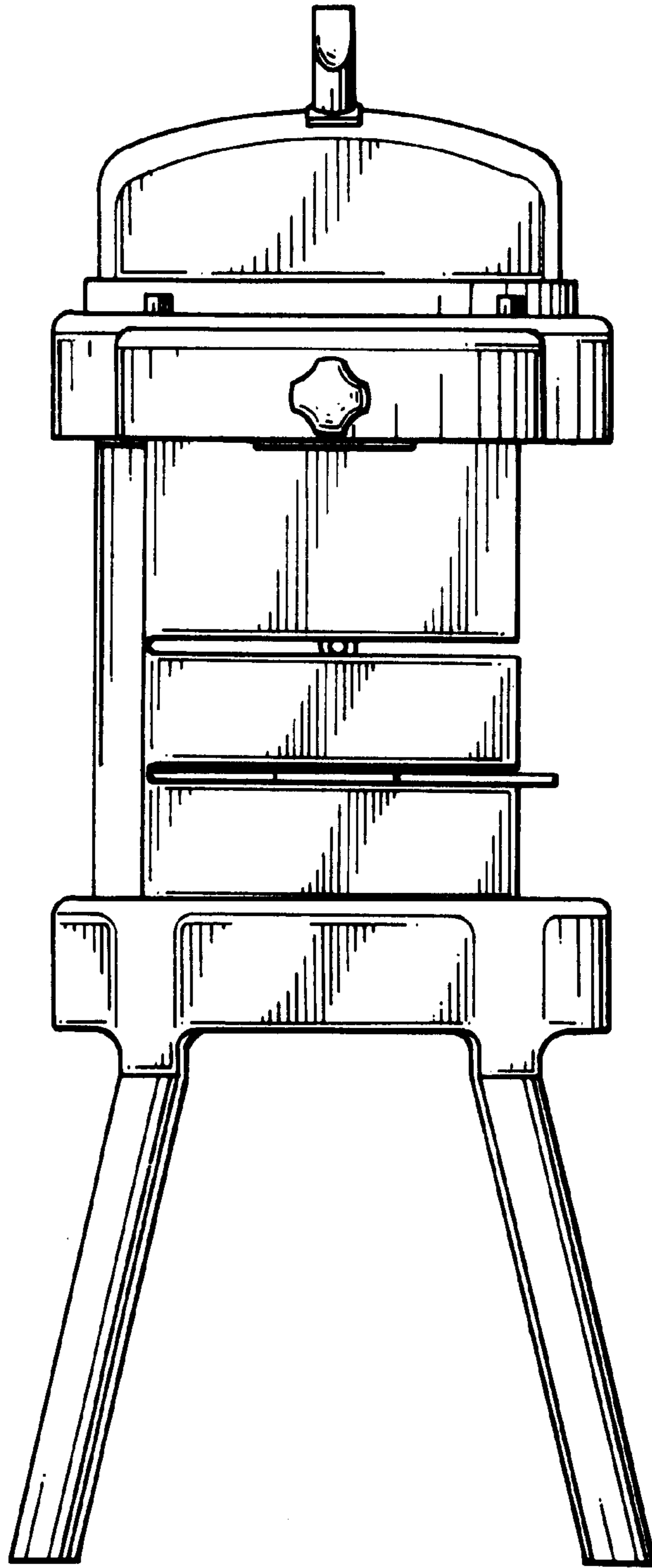


FIG. 4

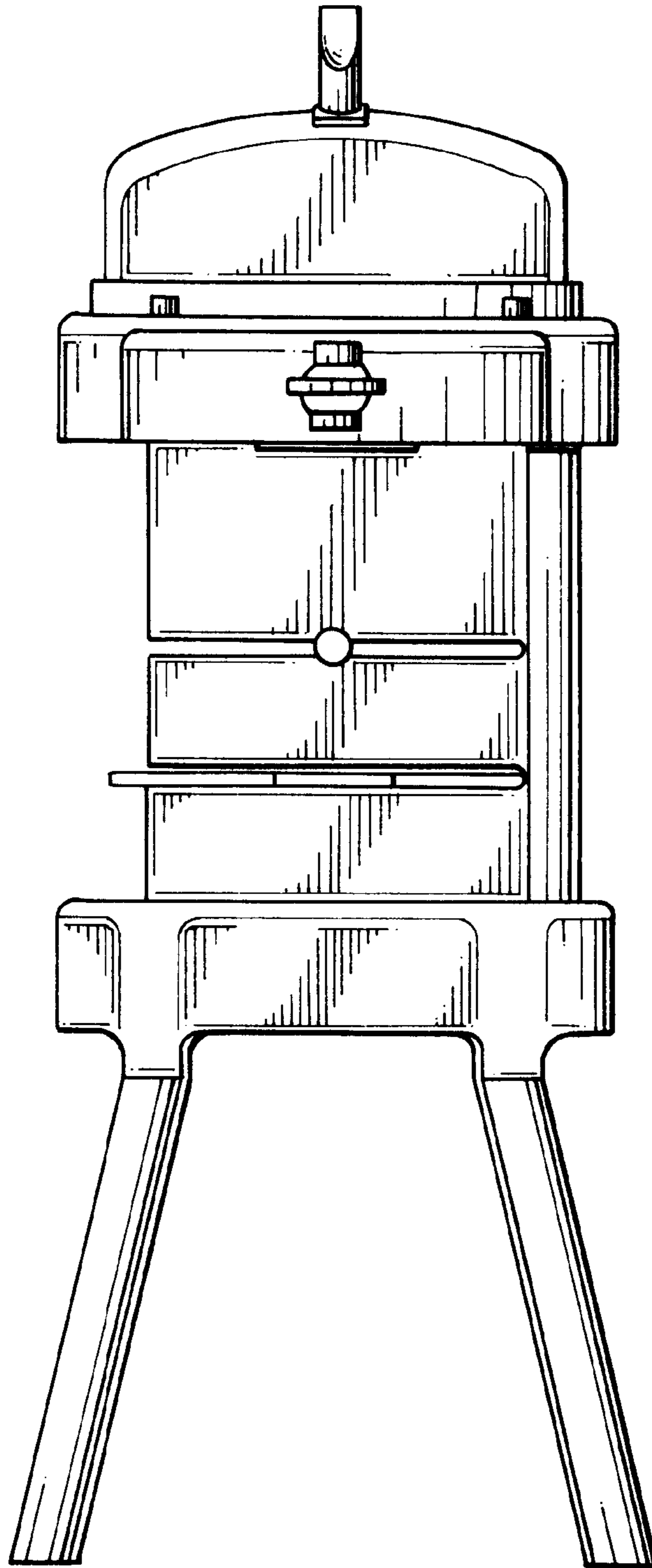


FIG. 5

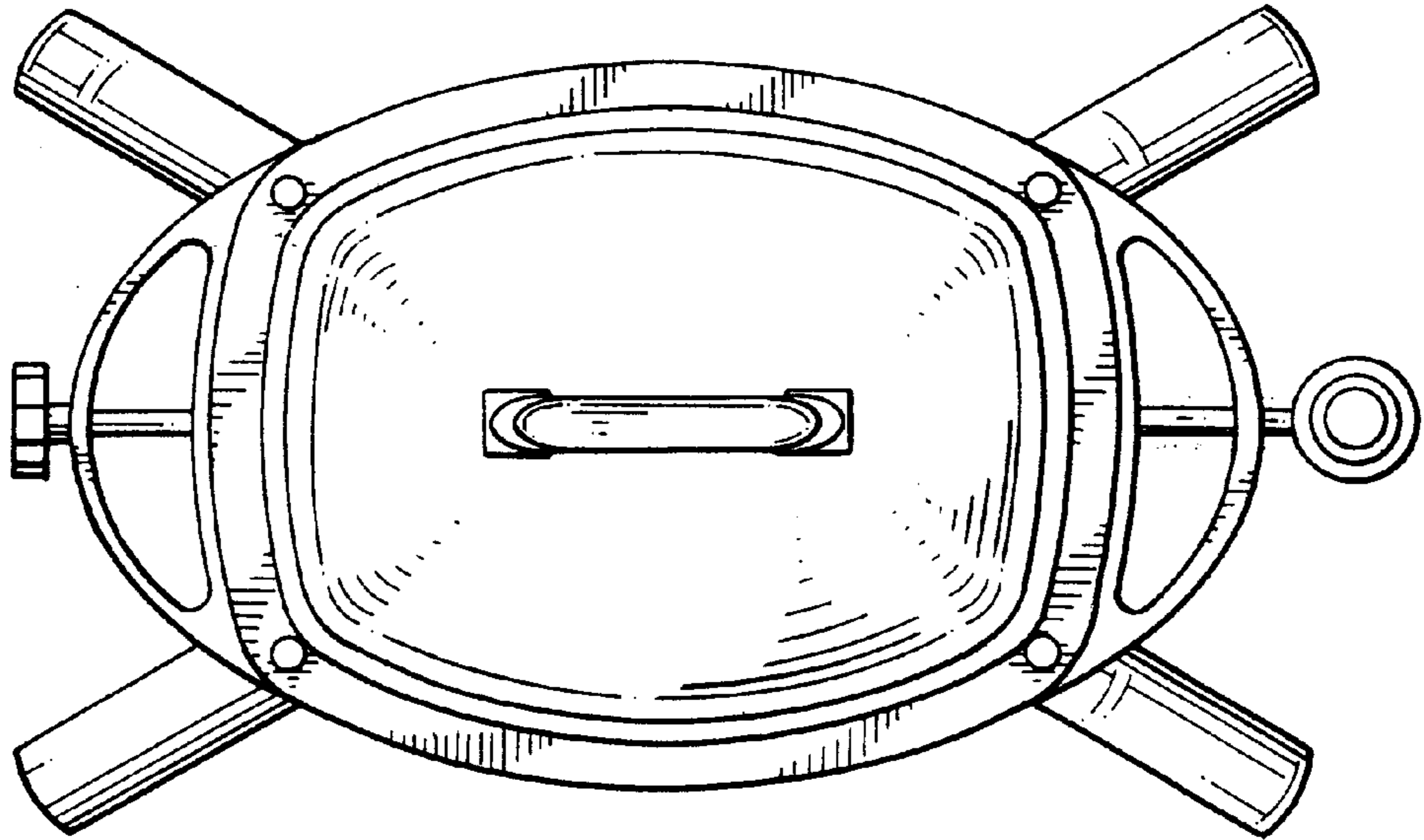


FIG. 6

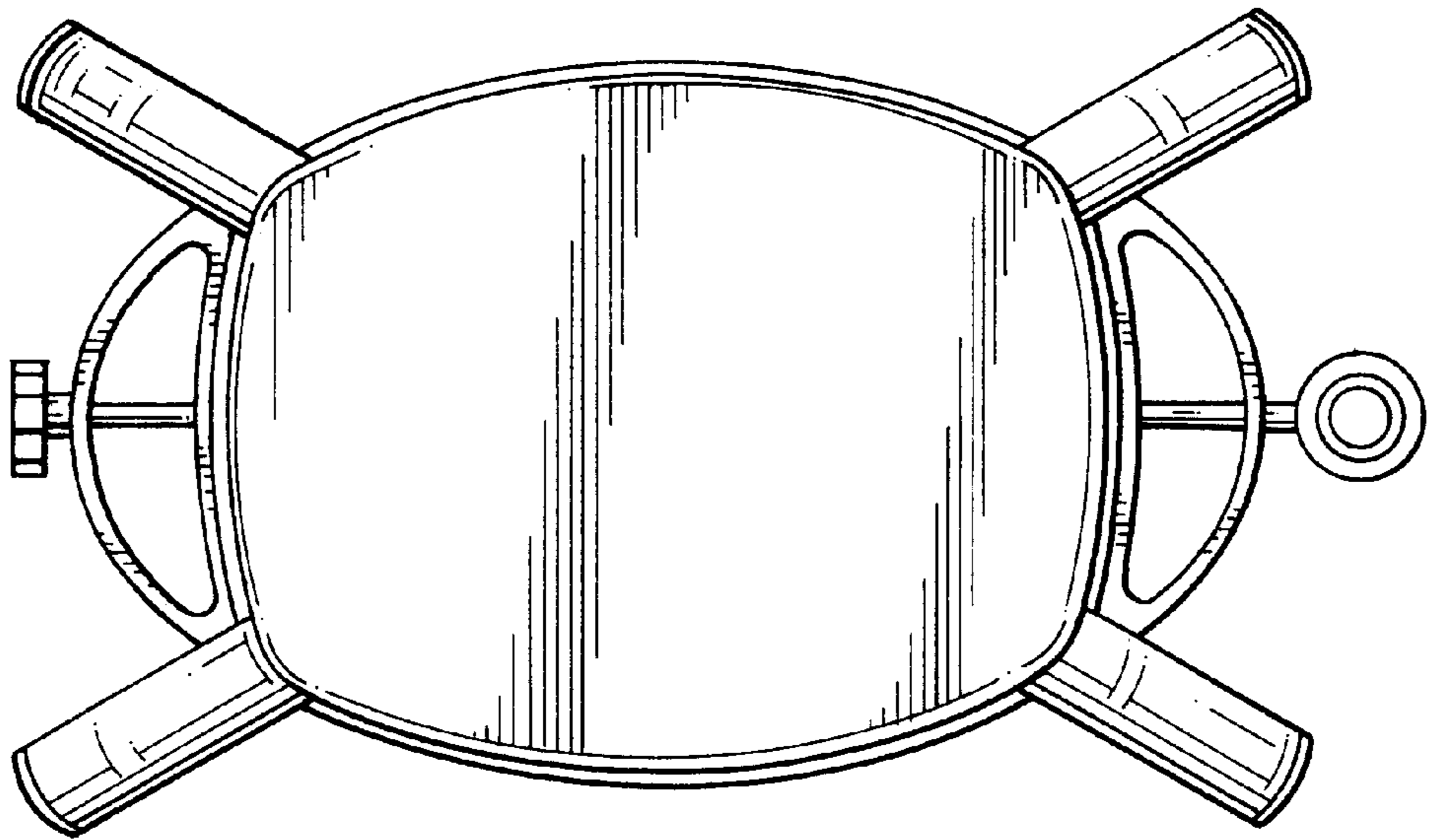


FIG. 7