



US00D443454S

(12) **United States Design Patent**  
**Kauzlarich et al.**

(10) **Patent No.:** **US D443,454 S**

(45) **Date of Patent:** **\*\* Jun. 12, 2001**

(54) **NOTCHED TOP SOAP CONTAINER WITH  
BOTTOM LUG**

(75) Inventors: **John Kauzlarich**, Darien; **Brian Phillips**, Crest Hill; **A. J. Voth**, St. Charles, all of IL (US); **Jeffery E. Strickler**, Dover, PA (US)

(73) Assignee: **Gent-L-Kleen Products, Inc.**, York, PA (US)

(\*\*) Term: **14 Years**

(21) Appl. No.: **29/120,324**

(22) Filed: **Mar. 17, 2000**

(51) **LOC (7) Cl.** ..... **23-02**

(52) **U.S. Cl.** ..... **D6/545**

(58) **Field of Search** ..... D6/542-545; D9/516, D9/520, 522, 537, 499; 206/822; 222/160, 181.1, 185.1, 206, 323, 325

(56) **References Cited**

**U.S. PATENT DOCUMENTS**

- D. 320,343 \* 10/1991 Halm et al. .... D6/542 X
- D. 331,516 \* 12/1992 Waring ..... D6/545
- D. 332,544 \* 1/1993 Steiner et al. .... D6/545
- D. 342,176 \* 12/1993 Steiner et al. .... D6/545

- D. 404,950 \* 2/1999 Burch ..... D6/545
- 3,250,438 \* 5/1966 Packwood, Jr. .... D6/545 X
- 4,164,306 \* 8/1979 Perrin ..... D6/545 X
- 4,848,596 \* 7/1989 Rudick ..... 222/185.1 X
- 4,886,192 \* 12/1989 Cassia ..... 222/181.1

\* cited by examiner

*Primary Examiner*—Brian N. Vinson

(74) *Attorney, Agent, or Firm*—Emrich & Dithmar

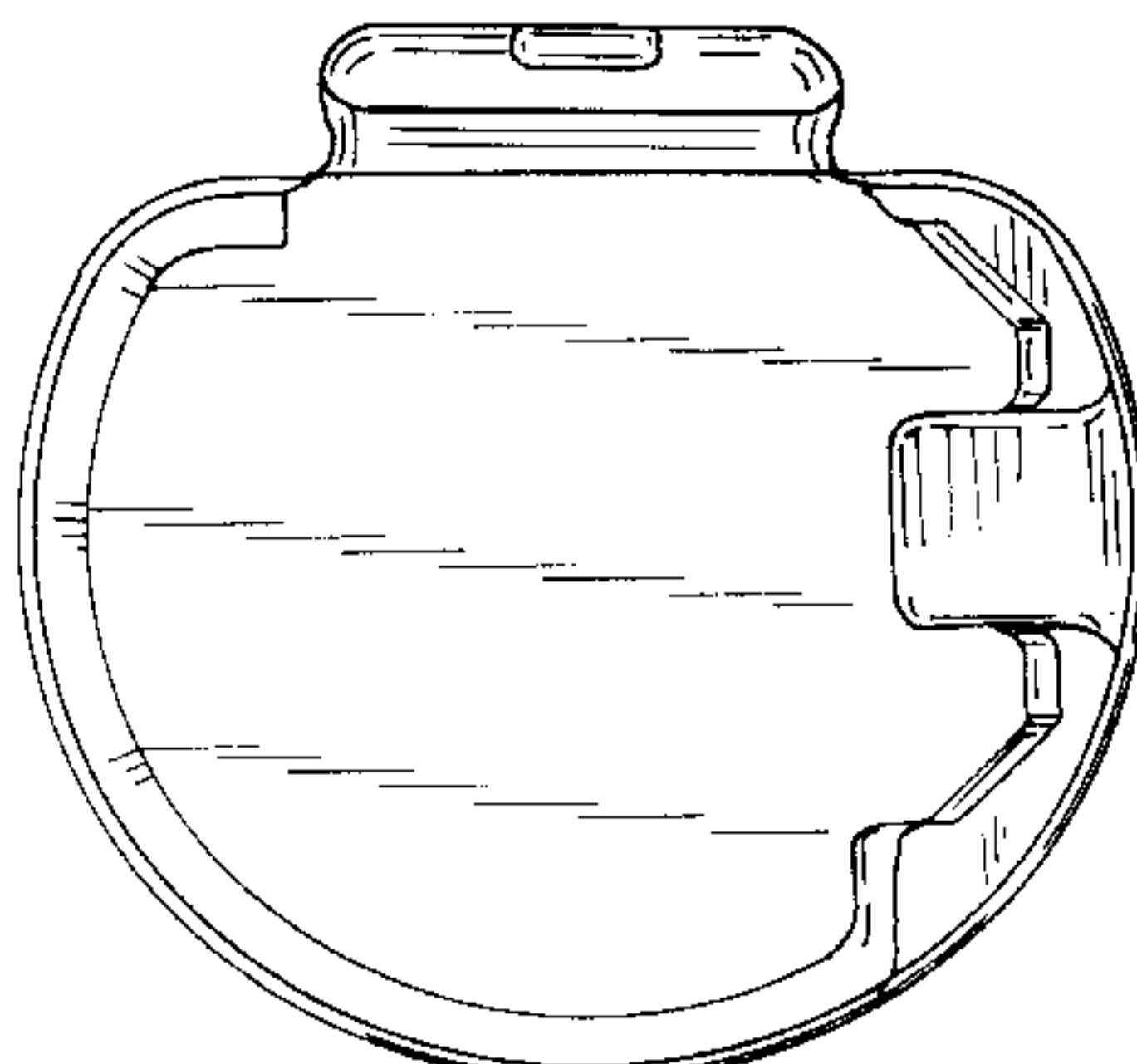
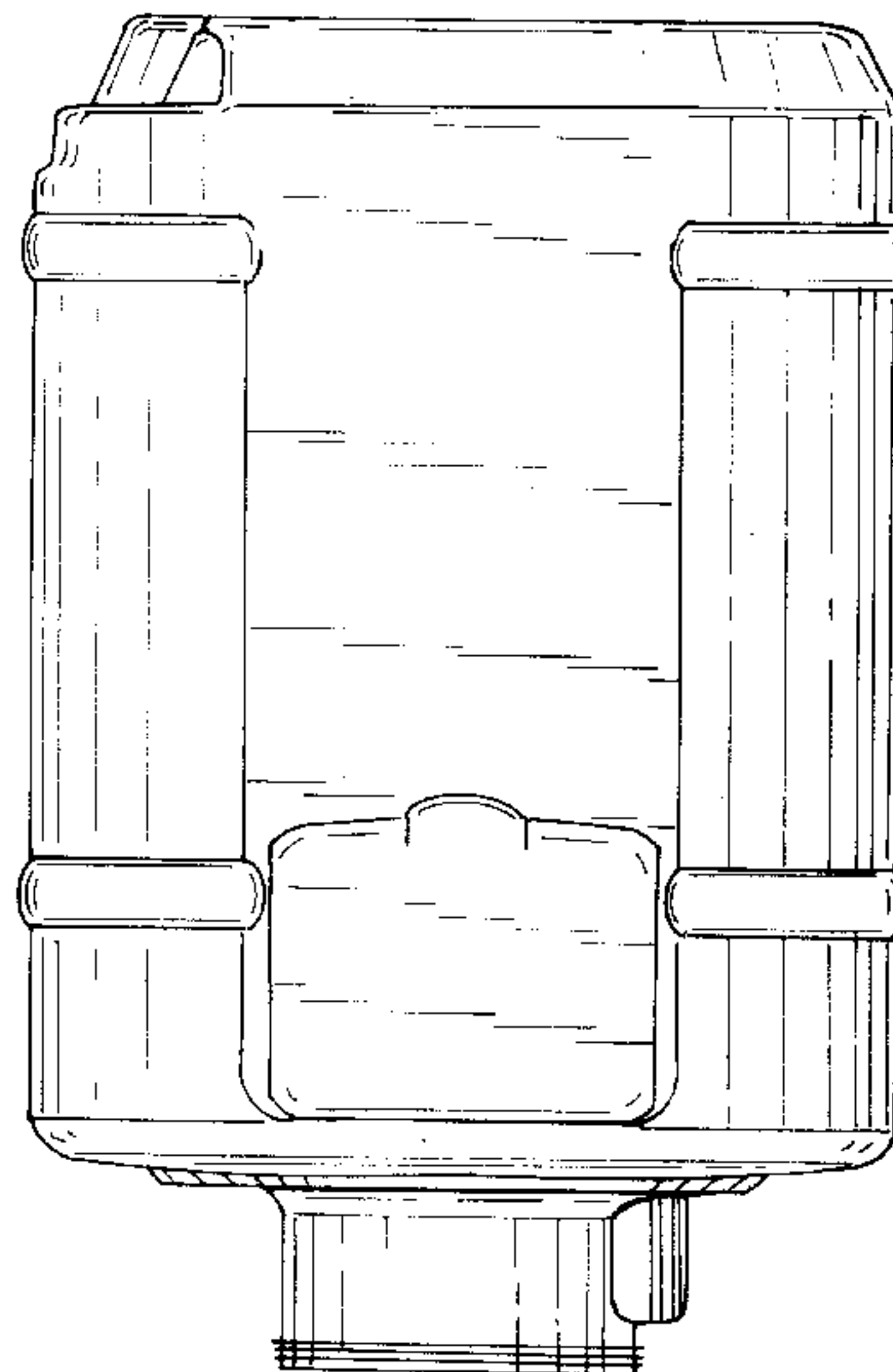
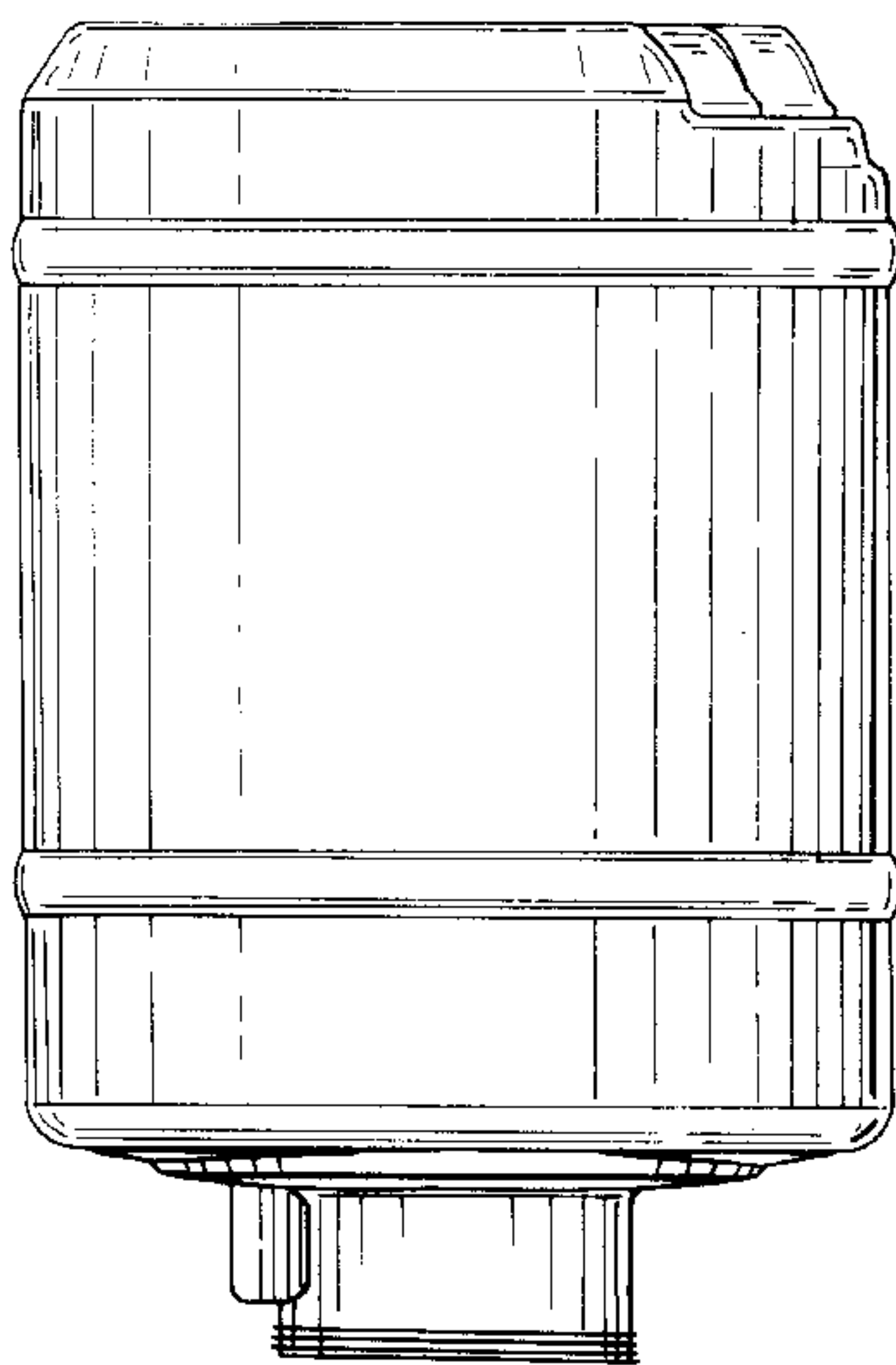
(57) **CLAIM**

The ornamental design for the notched top soap container with bottom lug, as shown and described.

**DESCRIPTION**

FIG. 1 is a front view of the notched top soap container with bottom lug embodying our new design;  
 FIG. 2 is a top view of the notched top soap container with bottom lug illustrated in FIG. 1;  
 FIG. 3 is a rear view of the notched top soap container with bottom lug illustrated in FIG. 1;  
 FIG. 4 is a bottom view of the notched top soap container with bottom lug illustrated in FIG. 1;  
 FIG. 5 is a right side view of the notched top soap container with bottom lug illustrated in FIG. 1; and,  
 FIG. 6 is a left side view of the notched top soap container with bottom lug illustrated in FIG. 1.

**1 Claim, 4 Drawing Sheets**



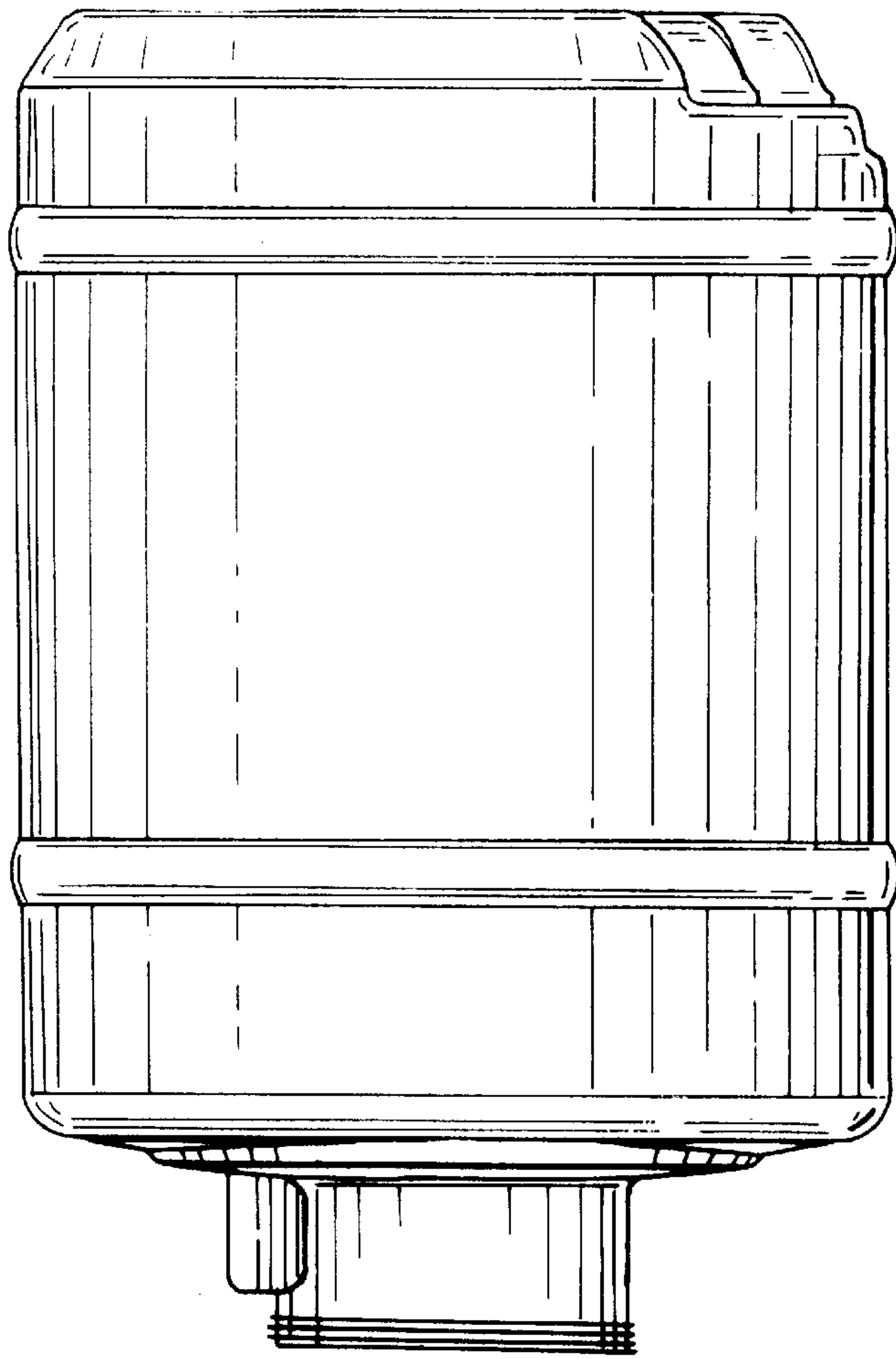


FIG. 1

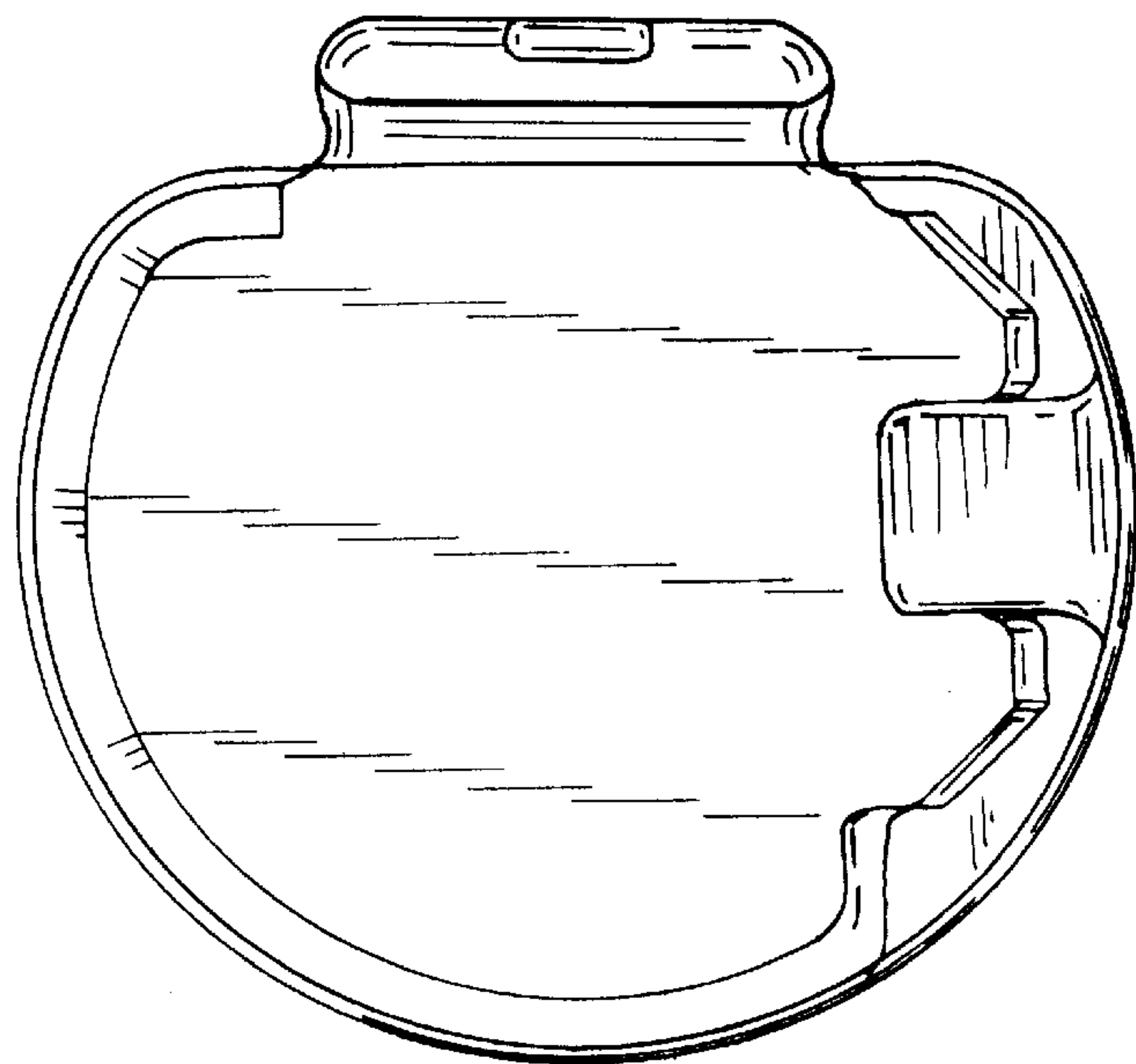
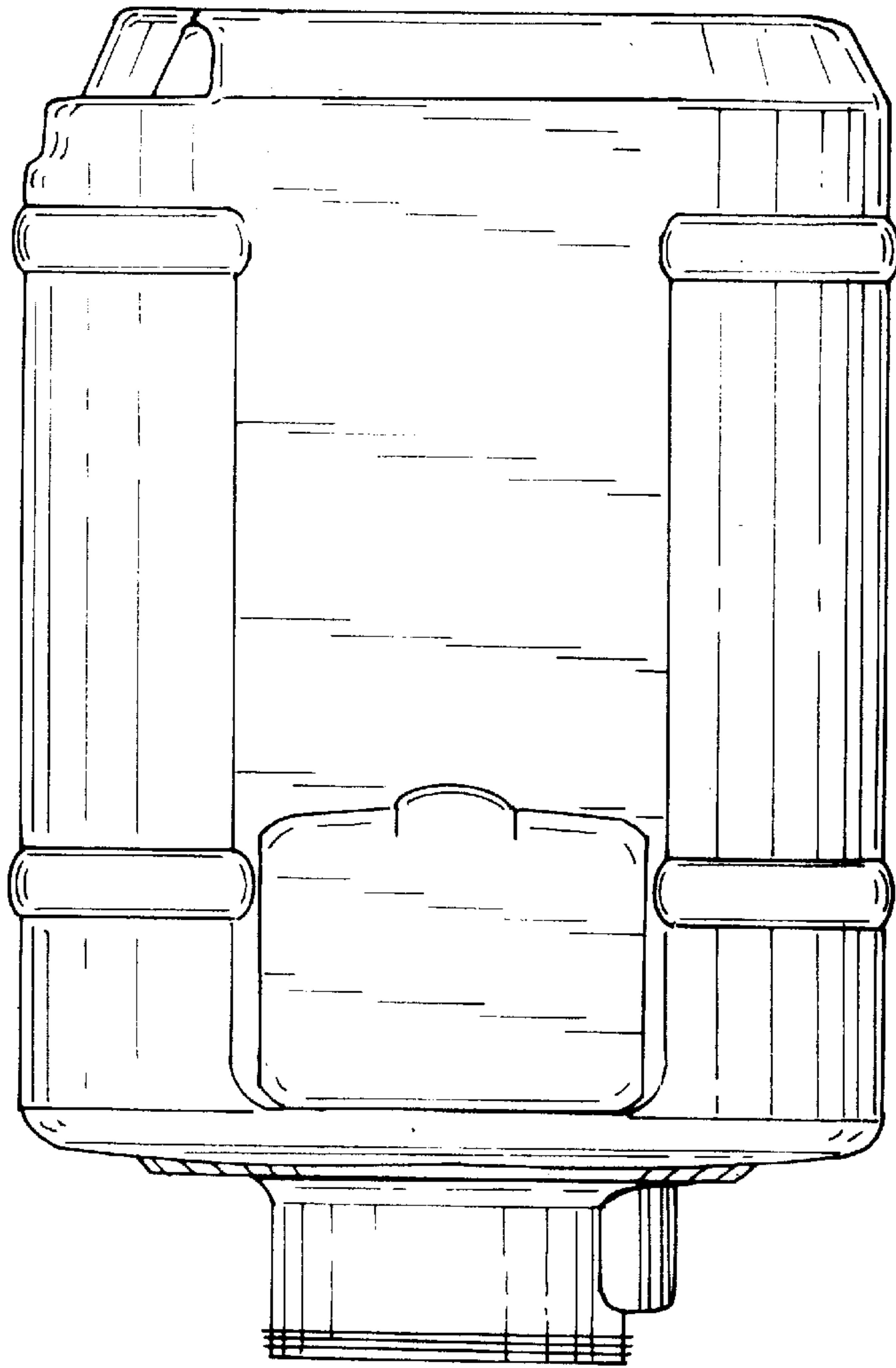
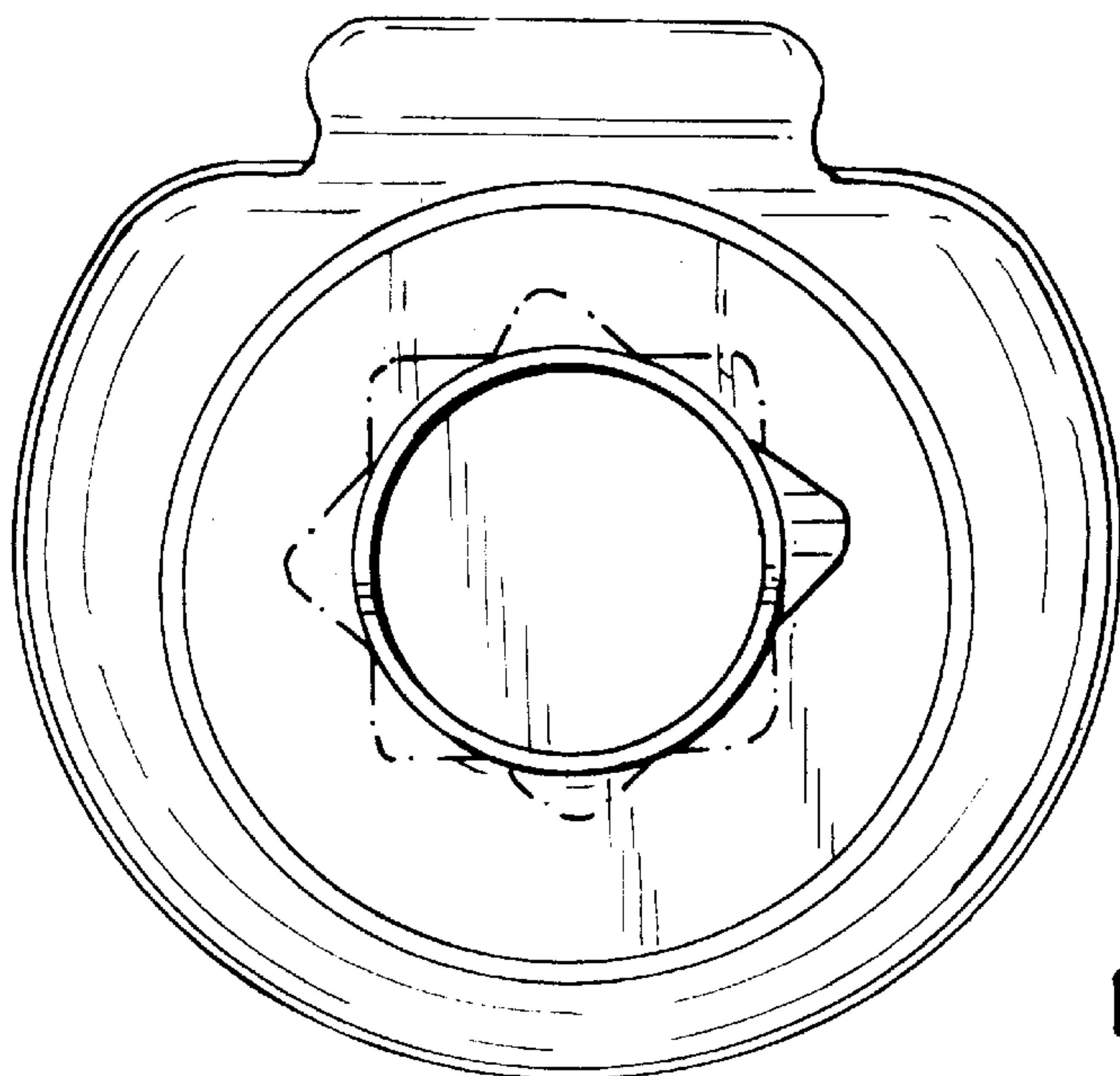


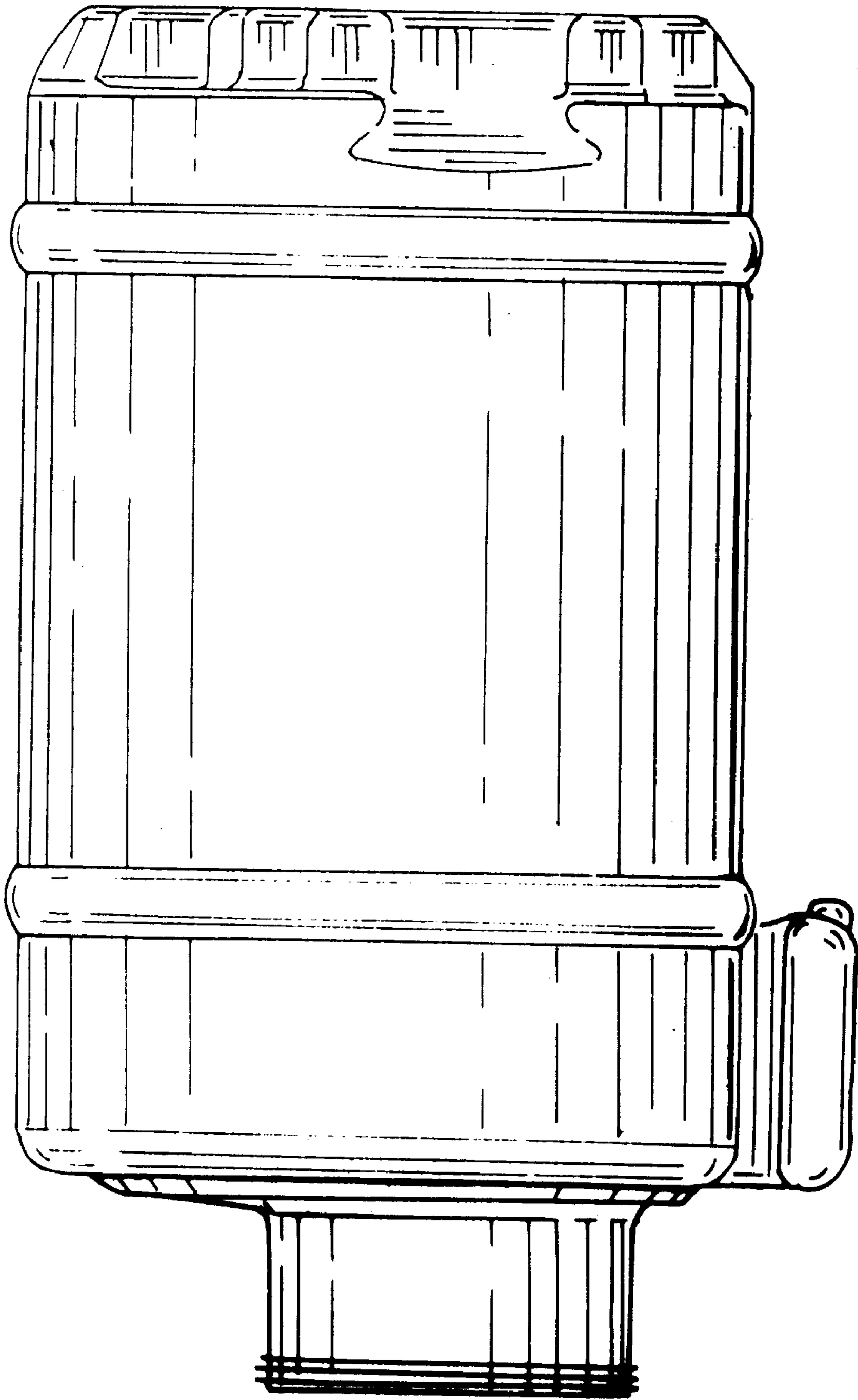
FIG. 2



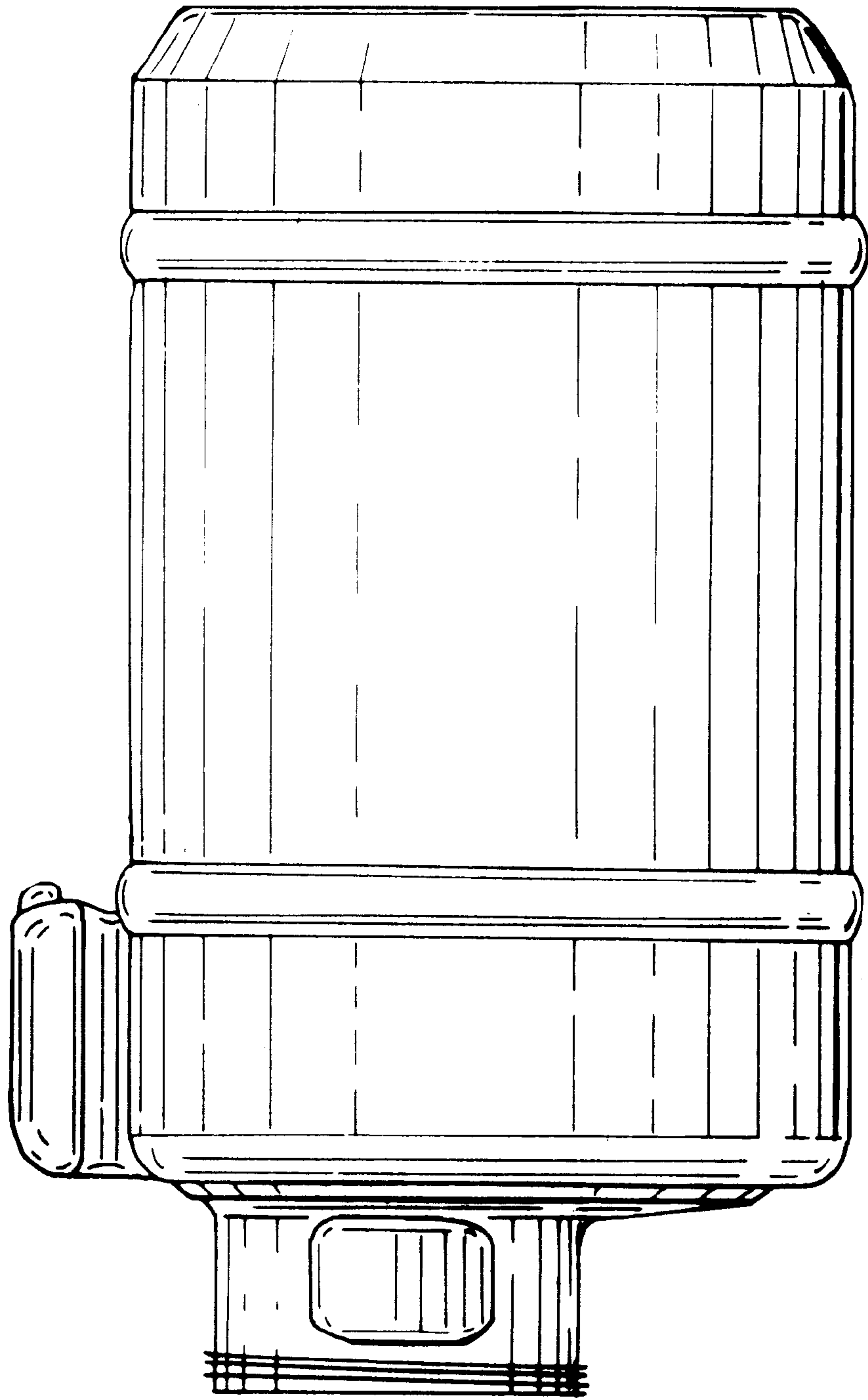
**FIG. 3**



**FIG. 4**



**FIG. 5**



**FIG. 6**