



US00D443442S

(12) **United States Design Patent**  
**Hutton**

(10) **Patent No.:** **US D443,442 S**

(45) **Date of Patent:** **\*\* Jun. 12, 2001**

(54) **TABLE**

(75) Inventor: **John Hutton**, West Islip, NY (US)

(73) Assignee: **Donghia Furniture/Textiles Ltd.**, New York, NY (US)

(\*\*) Term: **14 Years**

(21) Appl. No.: **29/115,529**

(22) Filed: **Dec. 15, 1999**

(51) **LOC (7) Cl.** ..... **06-03**

(52) **U.S. Cl.** ..... **D6/484**

(58) **Field of Search** ..... D6/480-489, 495,  
D6/511, 477; 108/153, 155, 156, 157.1,  
161; 248/188, 188.1

(56) **References Cited**

**U.S. PATENT DOCUMENTS**

- D. 214,741 \* 7/1969 Dean ..... D6/484
- D. 216,597 \* 2/1970 Wallach ..... D6/484
- D. 236,787 \* 9/1975 Stirling ..... D6/484

**OTHER PUBLICATIONS**

Donghia Furniture Co.Ltd. brochure; entitled: "Hospitality Style"; on information and belief published and distributed publicly in 1998 over one year prior to the the date of this application. (5 pages).

\* cited by examiner

*Primary Examiner*—Janice E. Seeger

(74) *Attorney, Agent, or Firm*—Heslin & Rothenberg, P.C.

(57) **CLAIM**

The ornamental design for the table, as shown and described.

**DESCRIPTION**

FIG. 1 is a top plan view of the table comprising my new design;

FIG. 2 is a front elevational view thereof;

FIG. 3 is a right side elevational view thereof, the opposite side elevational view being a mirror image thereof;

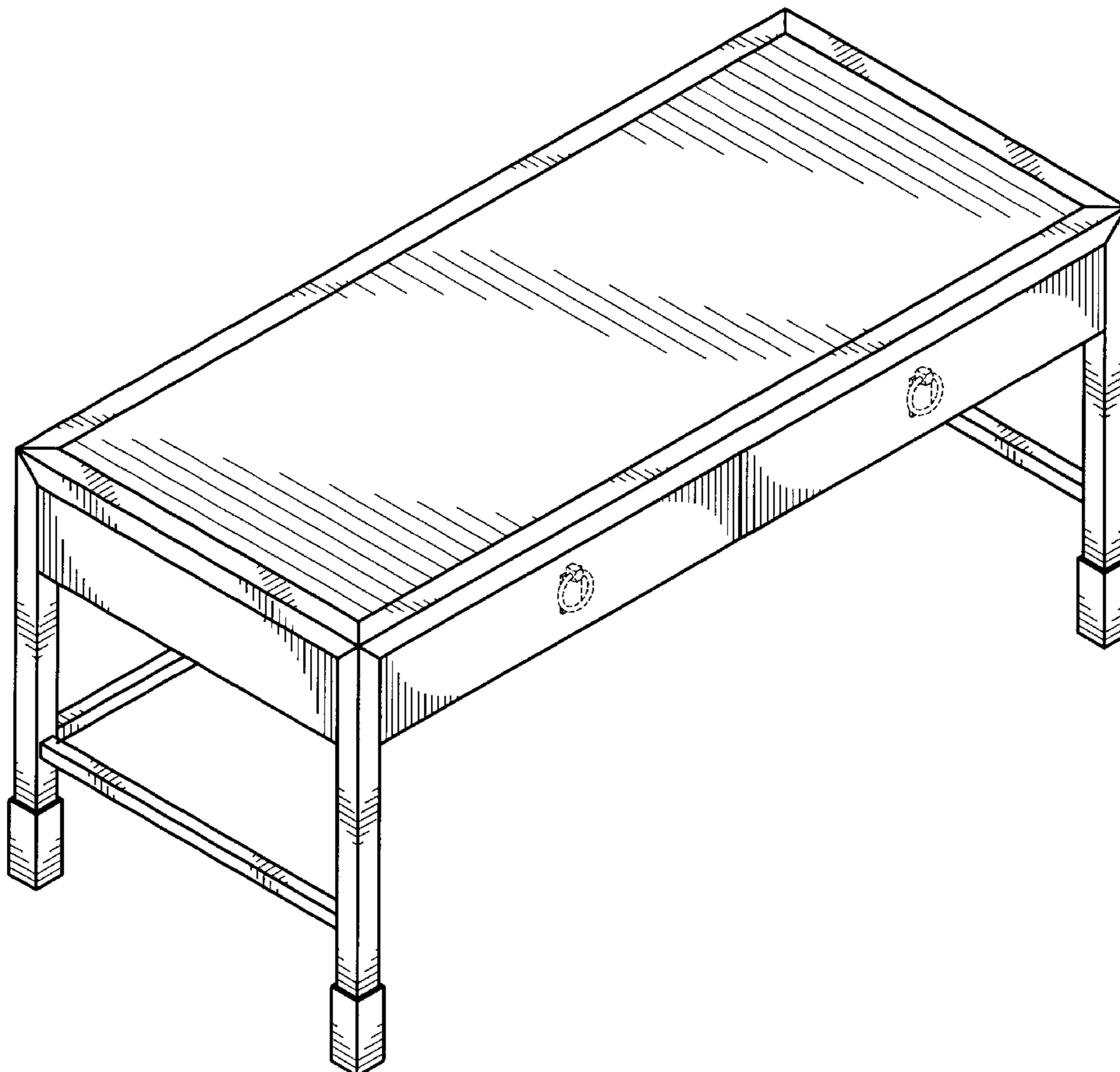
FIG. 4 is a bottom plan view thereof; and,

FIG. 5 is a perspective view thereof.

The rear of the article not shown is not part of the claimed design.

The broken lines are for illustrative purposes and form no part of the claimed design.

**1 Claim, 3 Drawing Sheets**



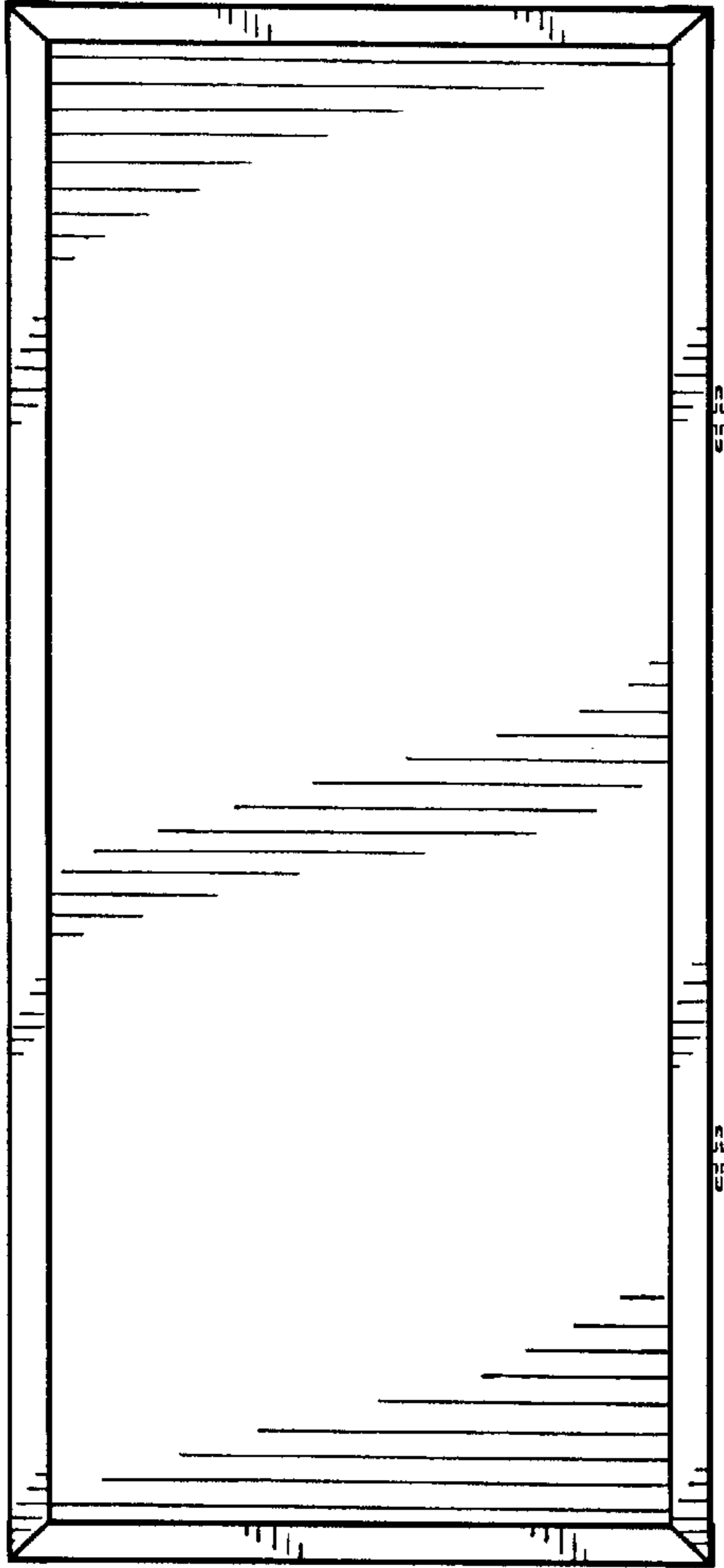


FIG. 1

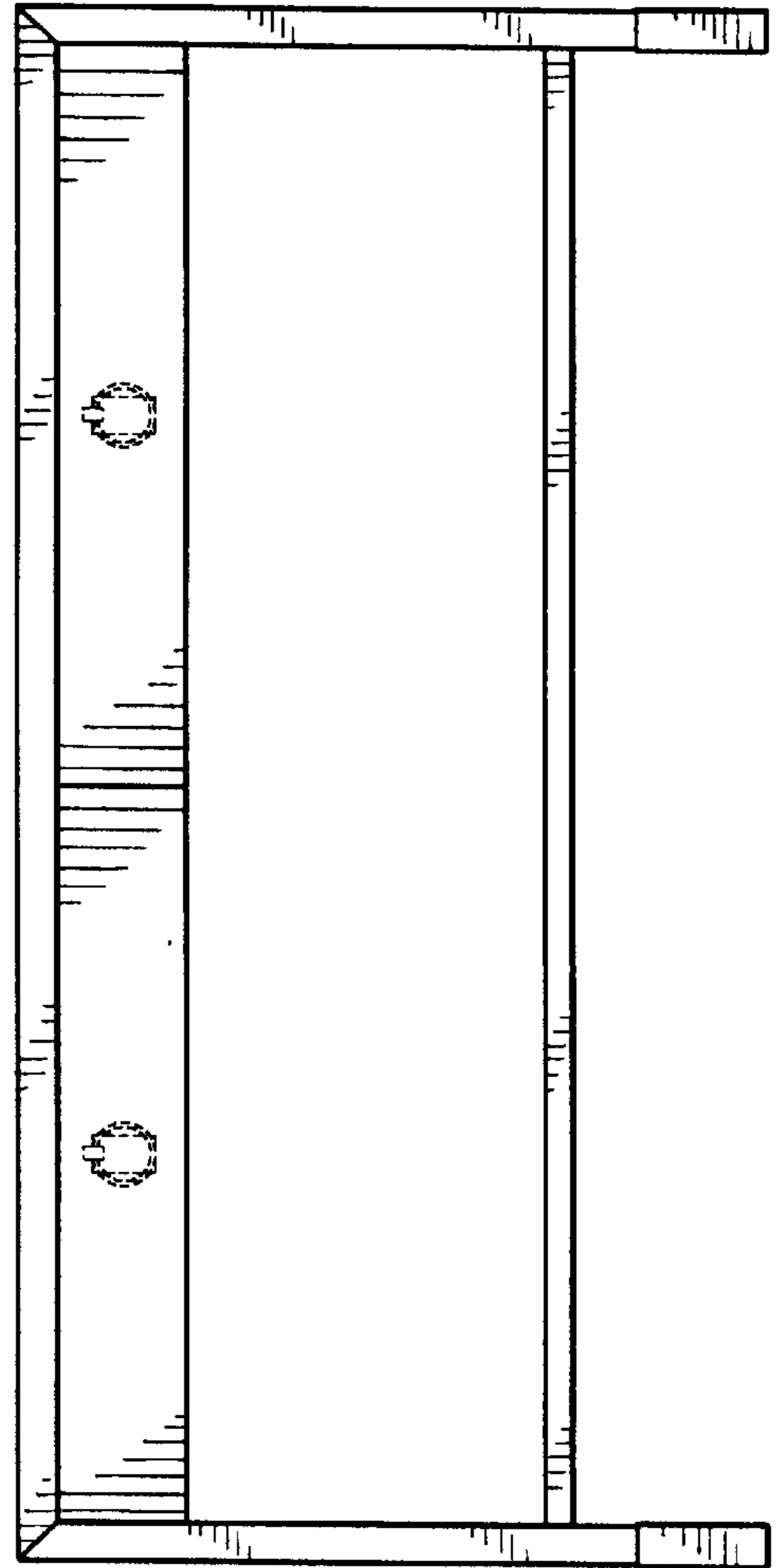


FIG. 2

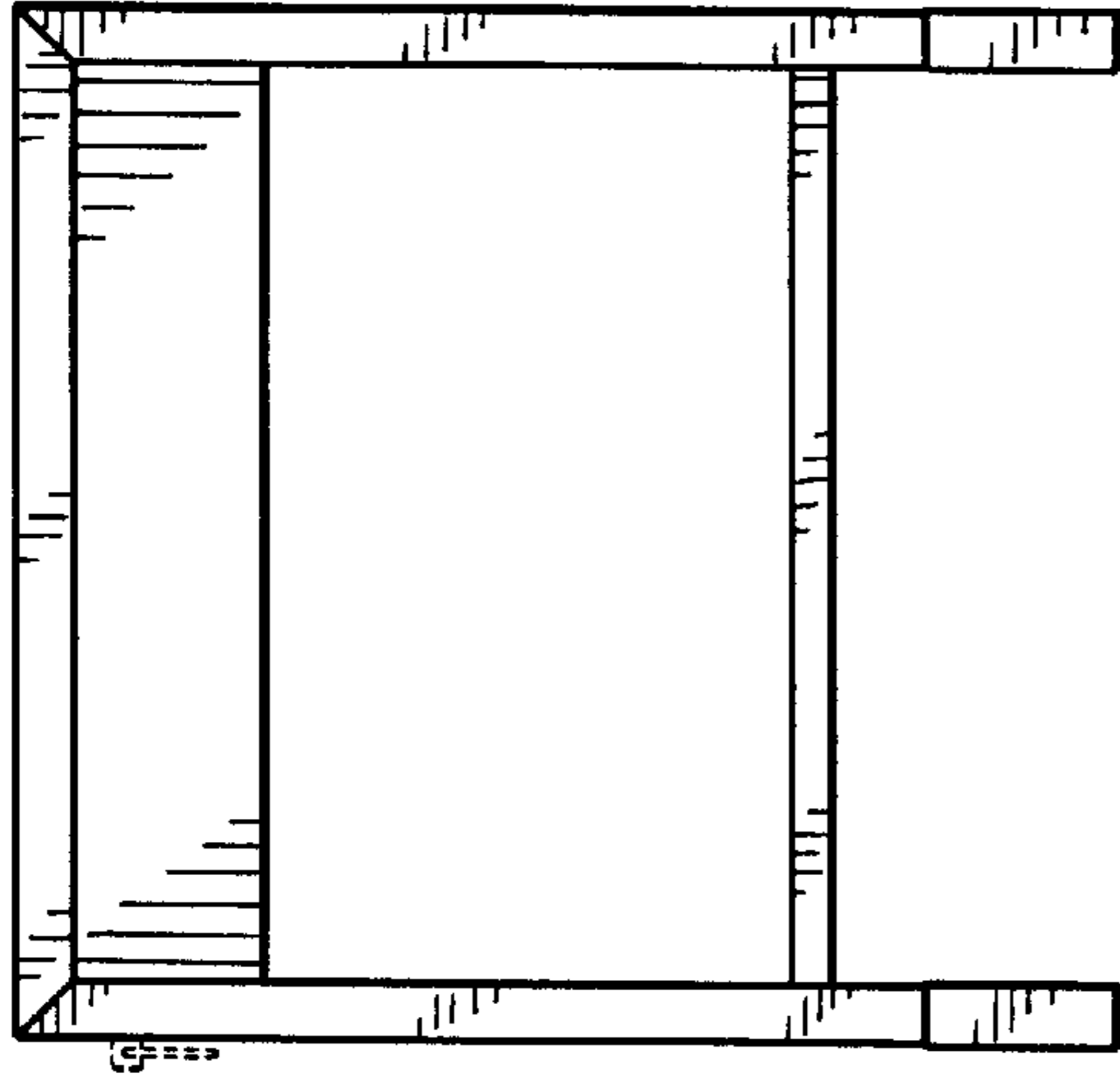


FIG. 3

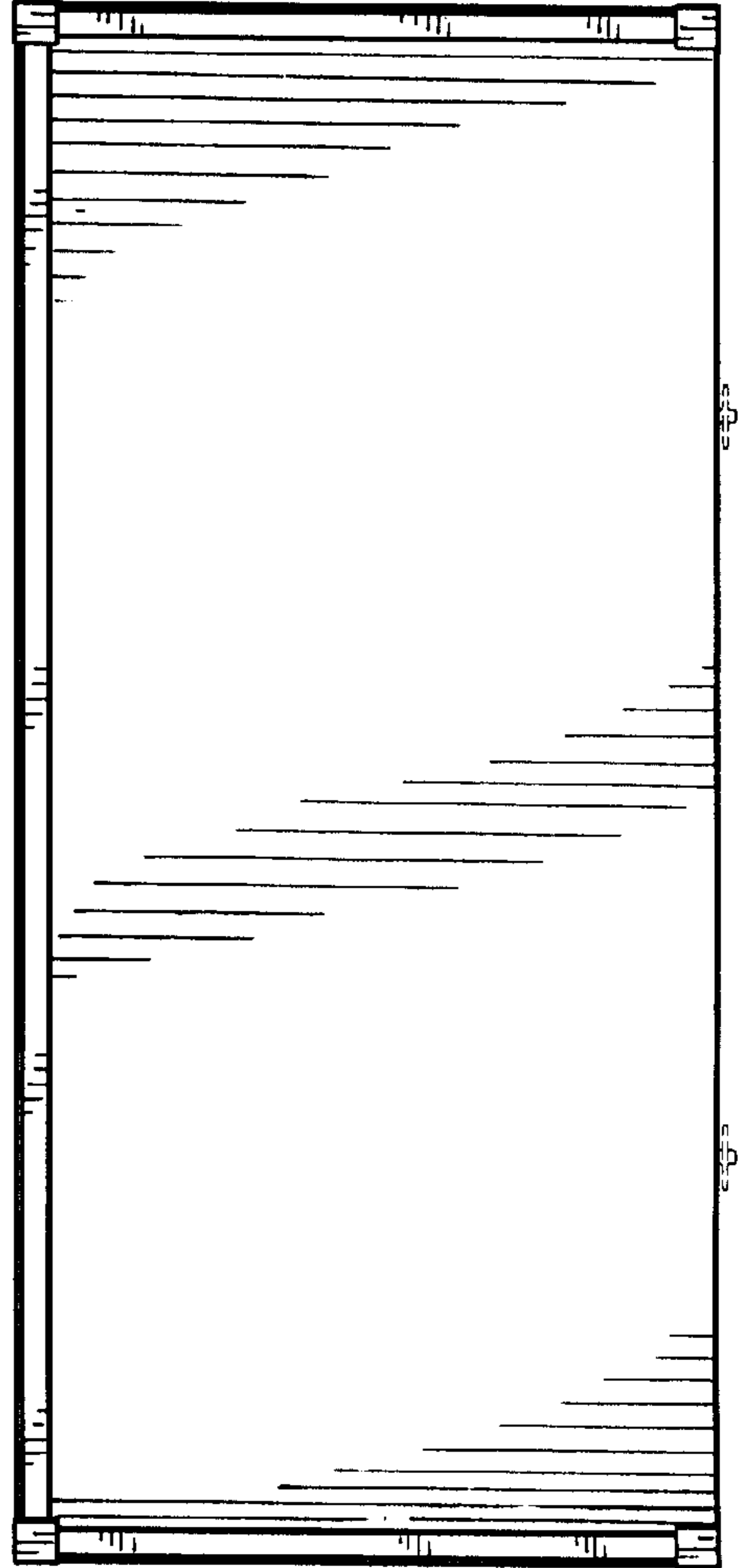


FIG. 4

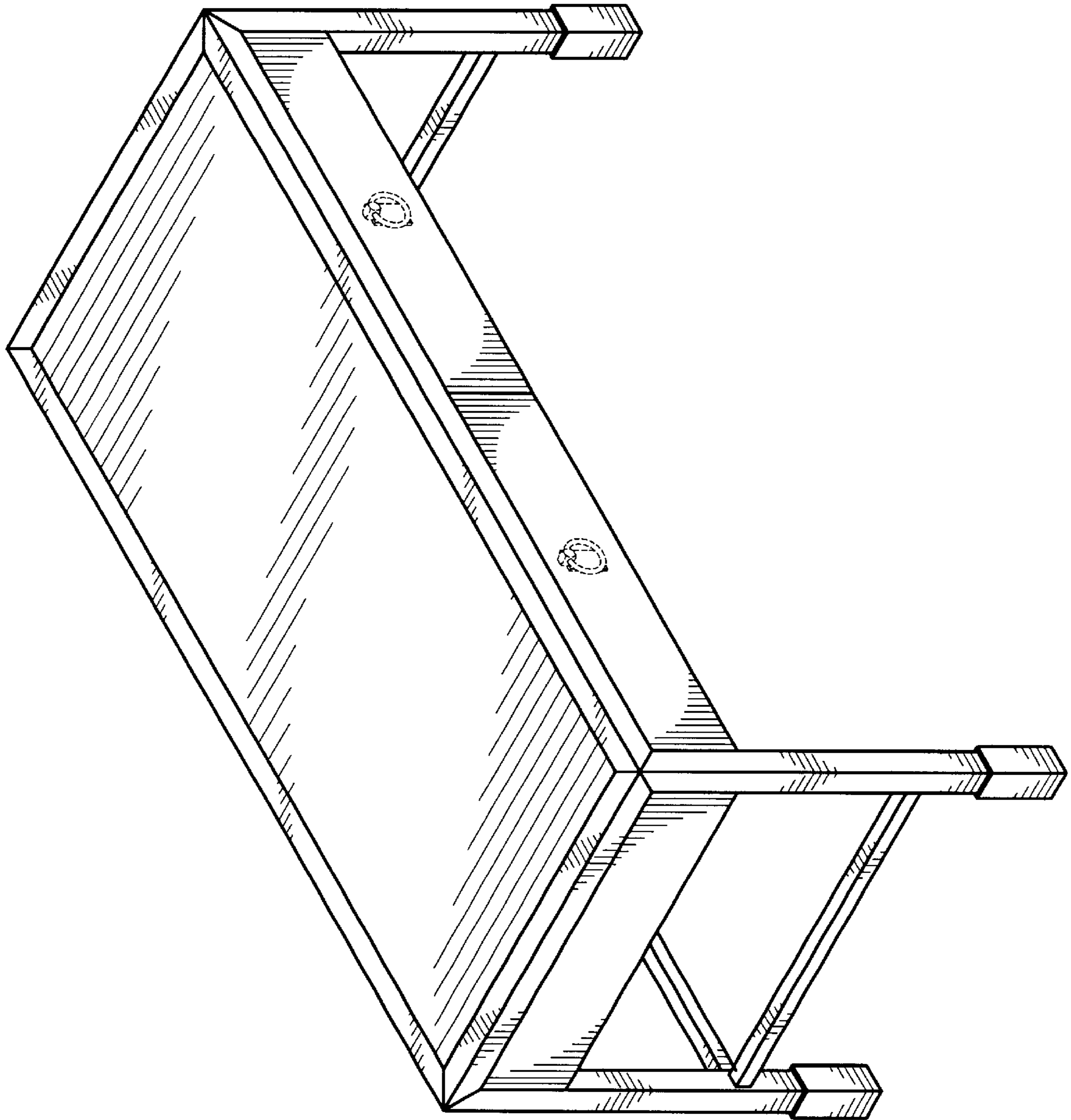


FIG. 5