



US00D443433S

(12) **United States Design Patent**
McDaniel et al.

(10) **Patent No.:** **US D443,433 S**

(45) **Date of Patent:** **** Jun. 12, 2001**

(54) **BED**

(75) Inventors: **Thomas M. McDaniel; D. Scott Coley,**
both of Morganton, NC (US)

(73) Assignee: **Bernhardt, L.L.C.,** Lenoir, NC (US)

(**) Term: **14 Years**

(21) Appl. No.: **29/130,843**

(22) Filed: **Oct. 10, 2000**

(51) **LOC (7) Cl.** **06-01**

(52) **U.S. Cl.** **D6/393**

(58) **Field of Search** D6/382-389, 392-395,
D6/505-508; 5/53.1, 279.1, 280, 281, 907,
310

(56) **References Cited**

U.S. PATENT DOCUMENTS

D. 215,804	*	11/1969	Chapin	D6/507
D. 345,659	*	4/1994	Ferguson	D6/393
D. 415,905	*	11/1999	Cain	D6/393
D. 417,089	*	11/1999	McDaniel et al.	D6/389
D. 421,855	*	3/2000	McDaniel et al.	D6/393

OTHER PUBLICATIONS

Photocopy of a headboard (best copy available); Author unknown, undated.

Photocopy of a page from a book of wood carvings; Author unknown, undated.

* cited by examiner

Primary Examiner—Janice E. Seeger

(74) *Attorney, Agent, or Firm*—Rhodes & Mason, PLLC

(57) **CLAIM**

The ornamental design for a bed, as shown and described.

DESCRIPTION

FIG. 1 is a front perspective view of a bed showing my new design;

FIG. 2 is a side view, the opposite side being a mirror image thereof;

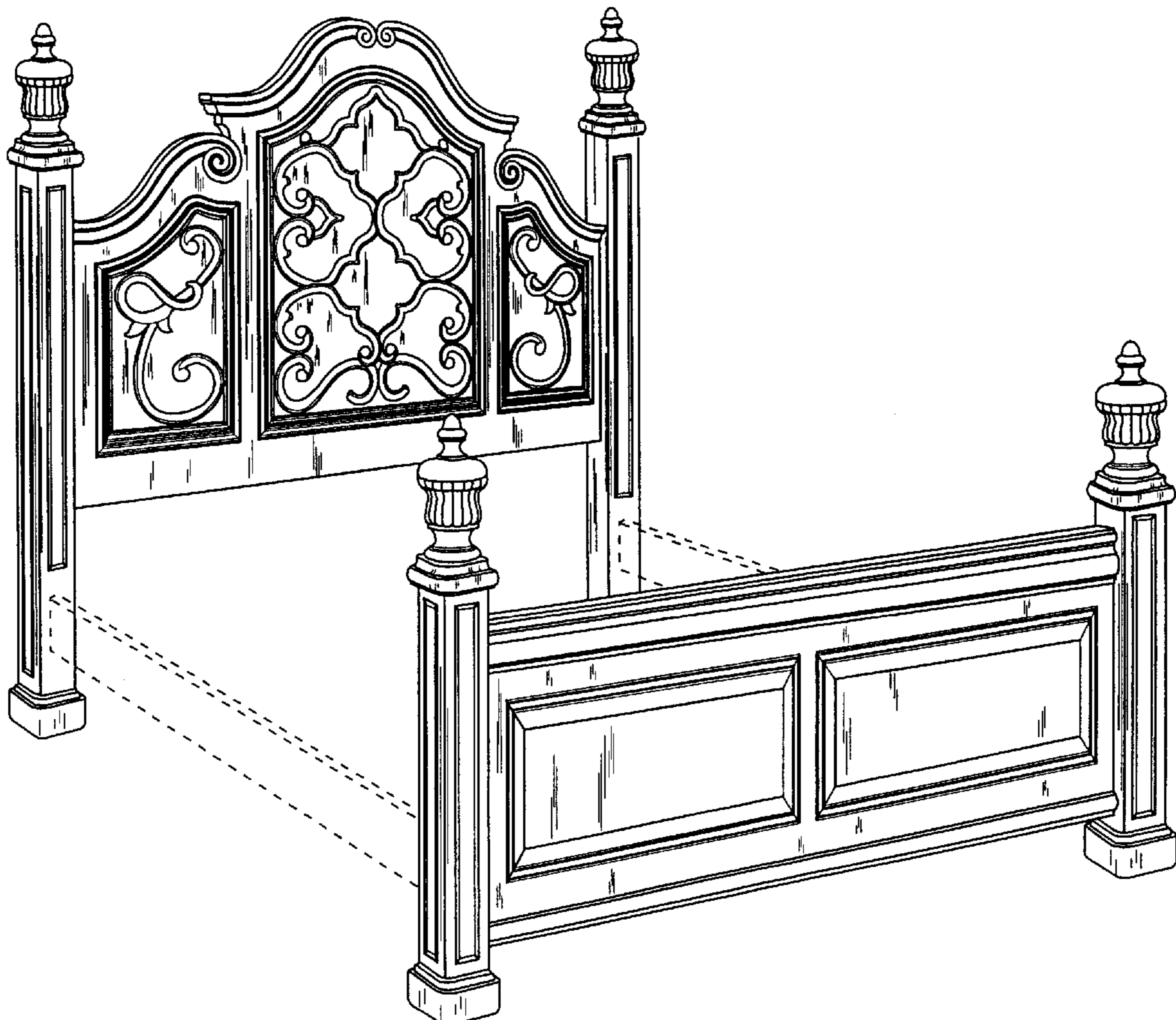
FIG. 3 is a front elevational view of the headboard;

FIG. 4 is a front elevational view of the footboard; and,

FIG. 5 is a rear perspective view of the footboard.

The broken lines showing the bed rails are for illustrative purposes only and forms no part of the claimed design.

1 Claim, 5 Drawing Sheets



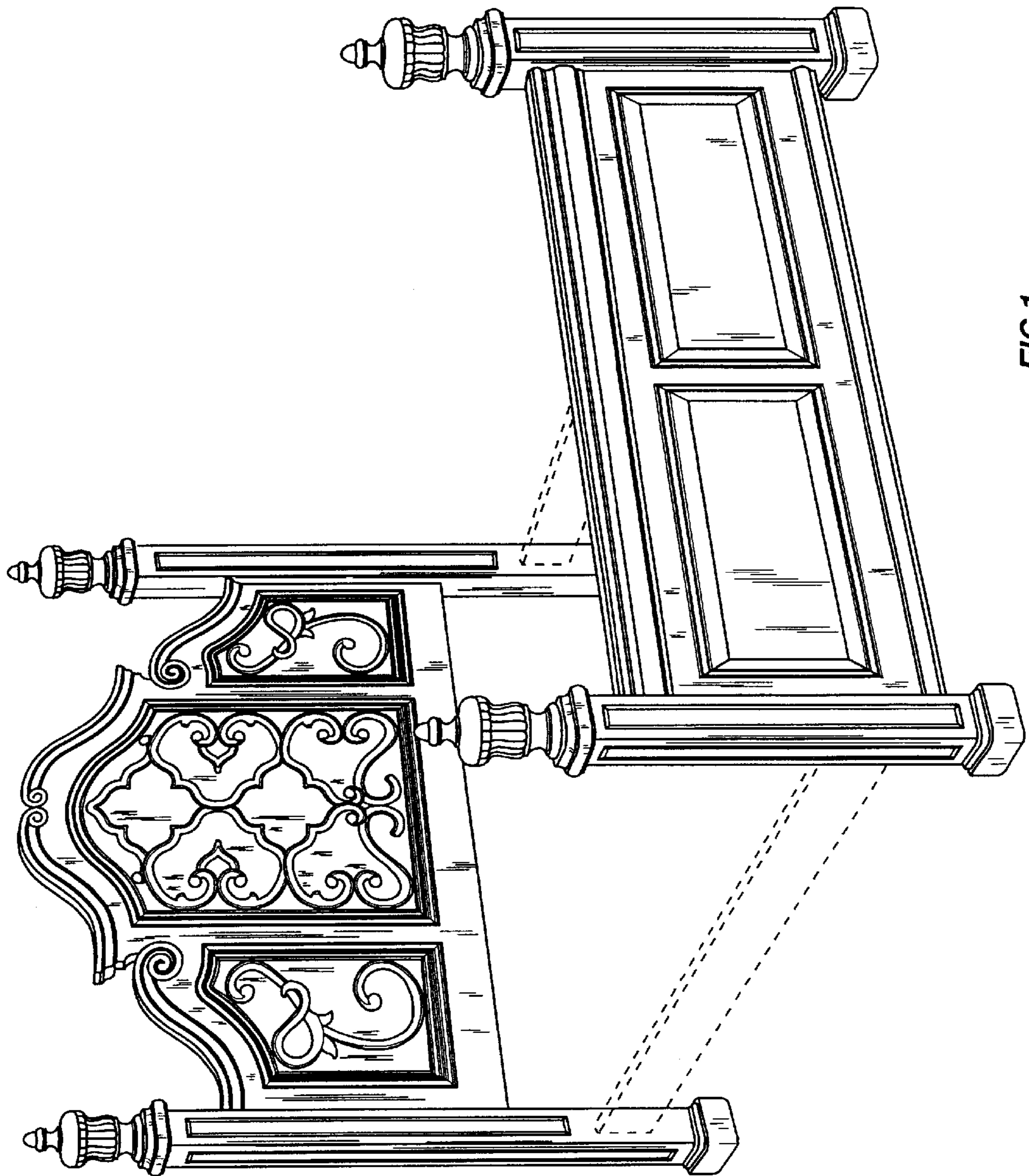


FIG. 1

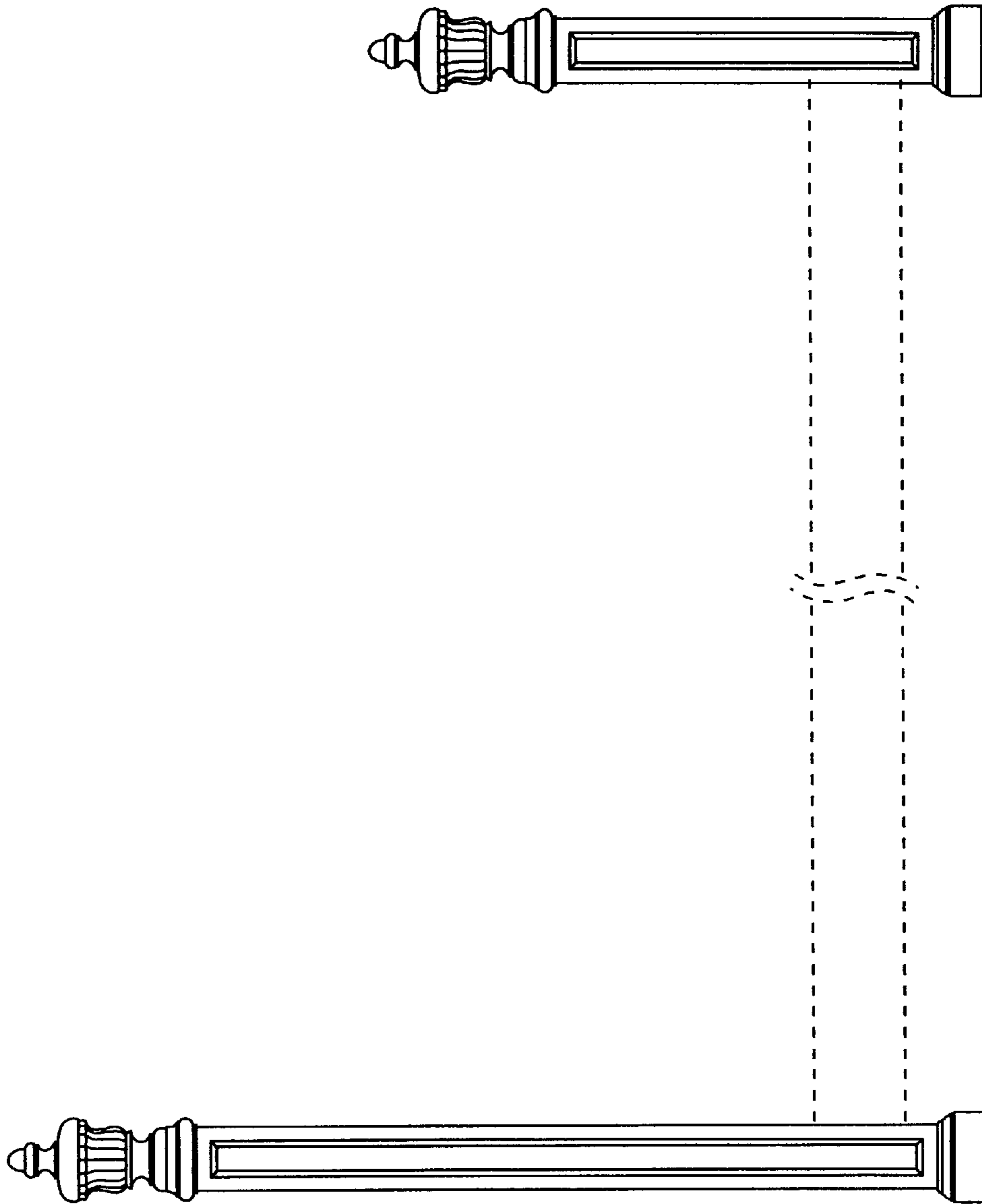


FIG. 2

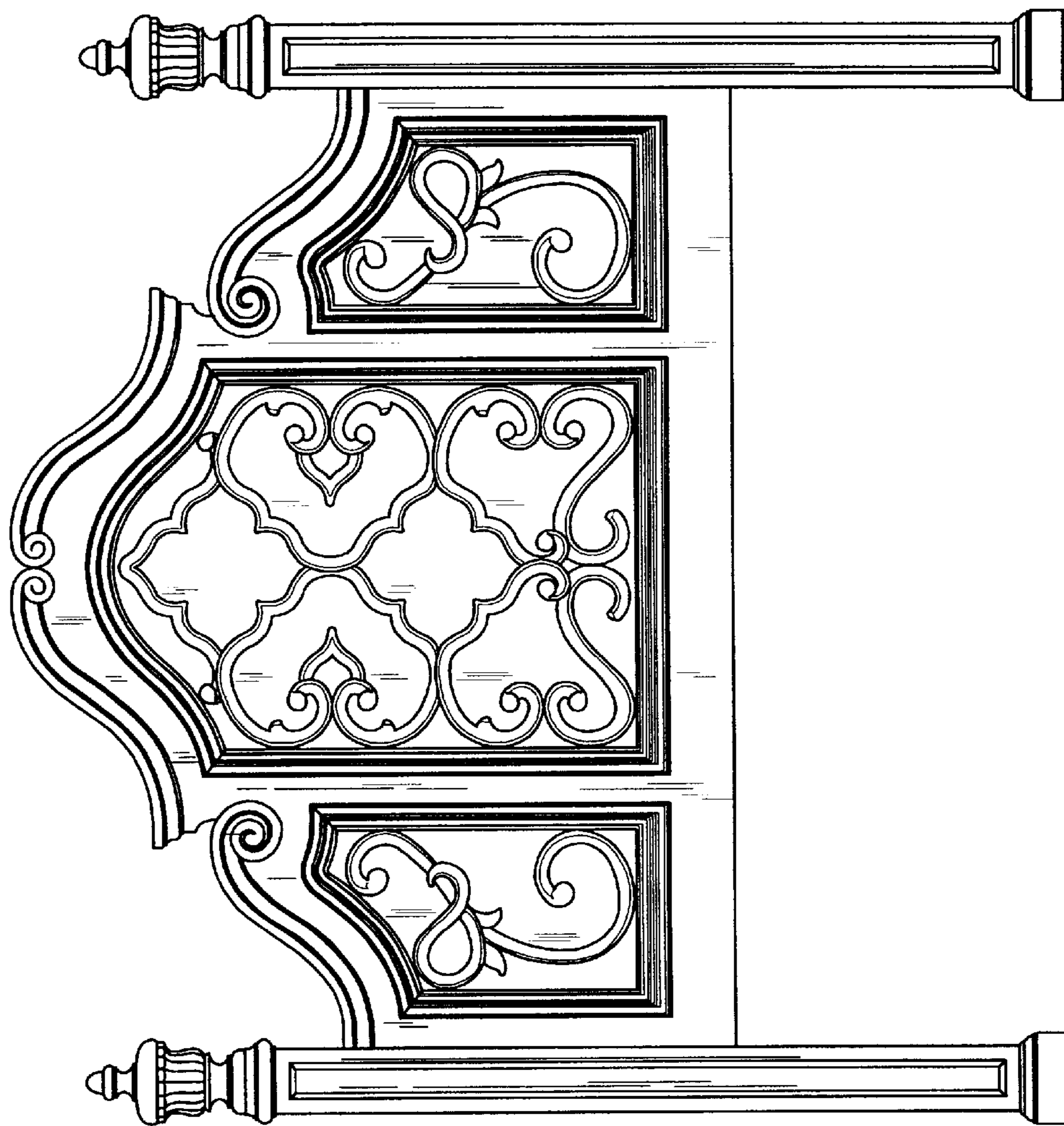


FIG. 3

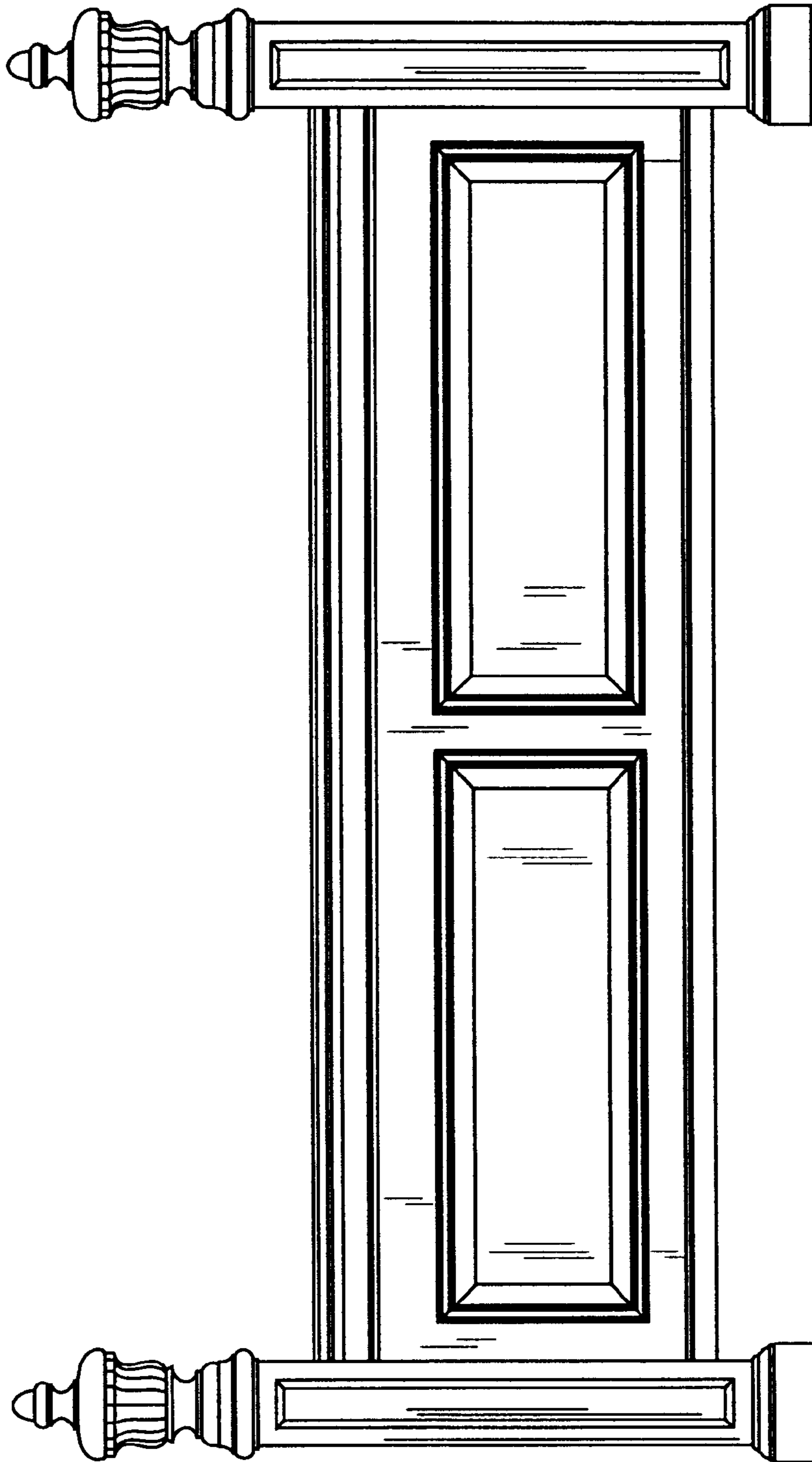


FIG. 4

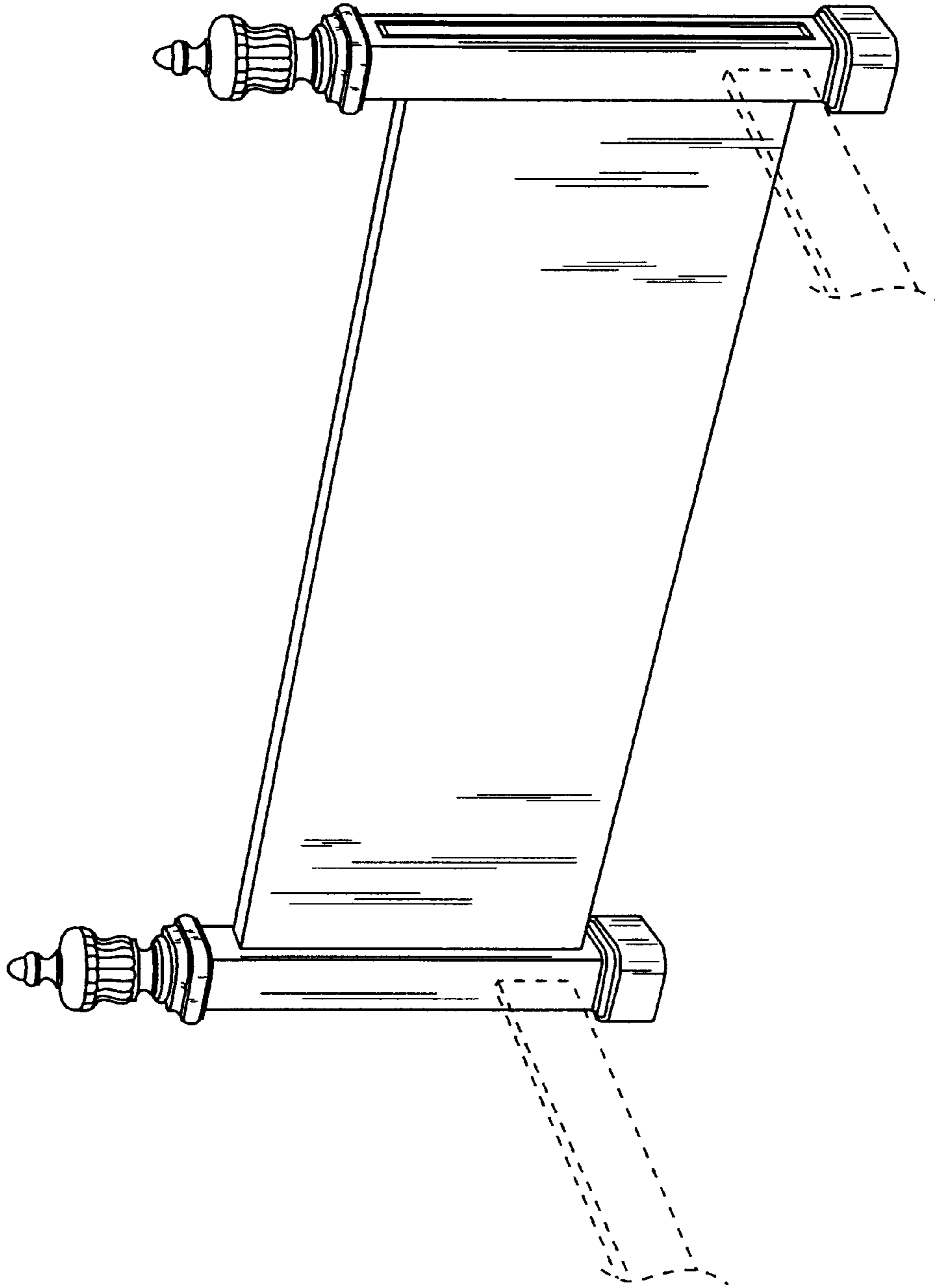


FIG.5