



US00D443429S

(12) **United States Design Patent**
Mower et al.

(10) **Patent No.:** **US D443,429 S**

(45) **Date of Patent:** **** Jun. 12, 2001**

(54) **COLLAPSIBLE BLOW-MOLDED CHAIR**

(74) *Attorney, Agent, or Firm*—Madson & Metcalf

(75) Inventors: **Barry D. Mower**, Layton; **Michael T. Collins**, Brigham City; **Thayne B. Haney**, Harrisville, all of UT (US)

(57) **CLAIM**

The ornamental design for a collapsible blow-molded chair, as shown and described.

(73) Assignee: **Lifetime Products, Inc.**, Clearfield, UT (US)

DESCRIPTION

(**) Term: **14 Years**

FIG. 1 is a perspective view of a collapsible blow-molded chair showing a first presently preferred embodiment of our new design;

(21) Appl. No.: **29/132,659**

FIG. 2 is a right side elevational view of the embodiment of FIG. 1;

(22) Filed: **Nov. 13, 2000**

FIG. 3 is a left side elevational view of the embodiment of FIG. 1;

(51) **LOC (7) Cl.** **06-01**

(52) **U.S. Cl.** **D6/368**

FIG. 4 is a front elevational view of the embodiment of FIG. 1;

(58) **Field of Search** D6/334, 335, 336,
D6/368, 374, 376, 379, 380, 500–502;
248/164; 297/16.1, 40, 41, 55, 56, 58, 183.7,
452.1, 452, 29

FIG. 5 is a rear elevational view of the embodiment of FIG. 1;

(56) **References Cited**

U.S. PATENT DOCUMENTS

D. 107,545	*	12/1937	O'Connor	D6/368
D. 118,185	*	12/1939	Bond, Jr.	D6/368
D. 214,267	*	5/1969	Moore et al.	D6/368
D. 432,805	*	10/2000	Smith	D6/368
D. 435,977	*	10/2000	Ambasz	D6/368
D. 436,457	*	1/2001	Ambasz	D6/368
2,564,924	*	8/1951	Patton	297/183.7
2,865,437	*	12/1958	Shwayder	297/55
3,094,357	*	6/1963	Shwayder	297/452.1

FIG. 6 is a top plan view of the embodiment of FIG. 1;

FIG. 7 is a bottom plan view of the embodiment of FIG. 1;

FIG. 8 is a perspective view of a collapsible blow-molded chair showing a second presently preferred embodiment of our new design;

FIG. 9 is a right side elevational view of the embodiment of FIG. 8;

FIG. 10 is a left side elevational view of the embodiment of FIG. 8;

FIG. 11 is a front elevational view of the embodiment of FIG. 8;

FIG. 12 is a rear elevational view of the embodiment of FIG. 8;

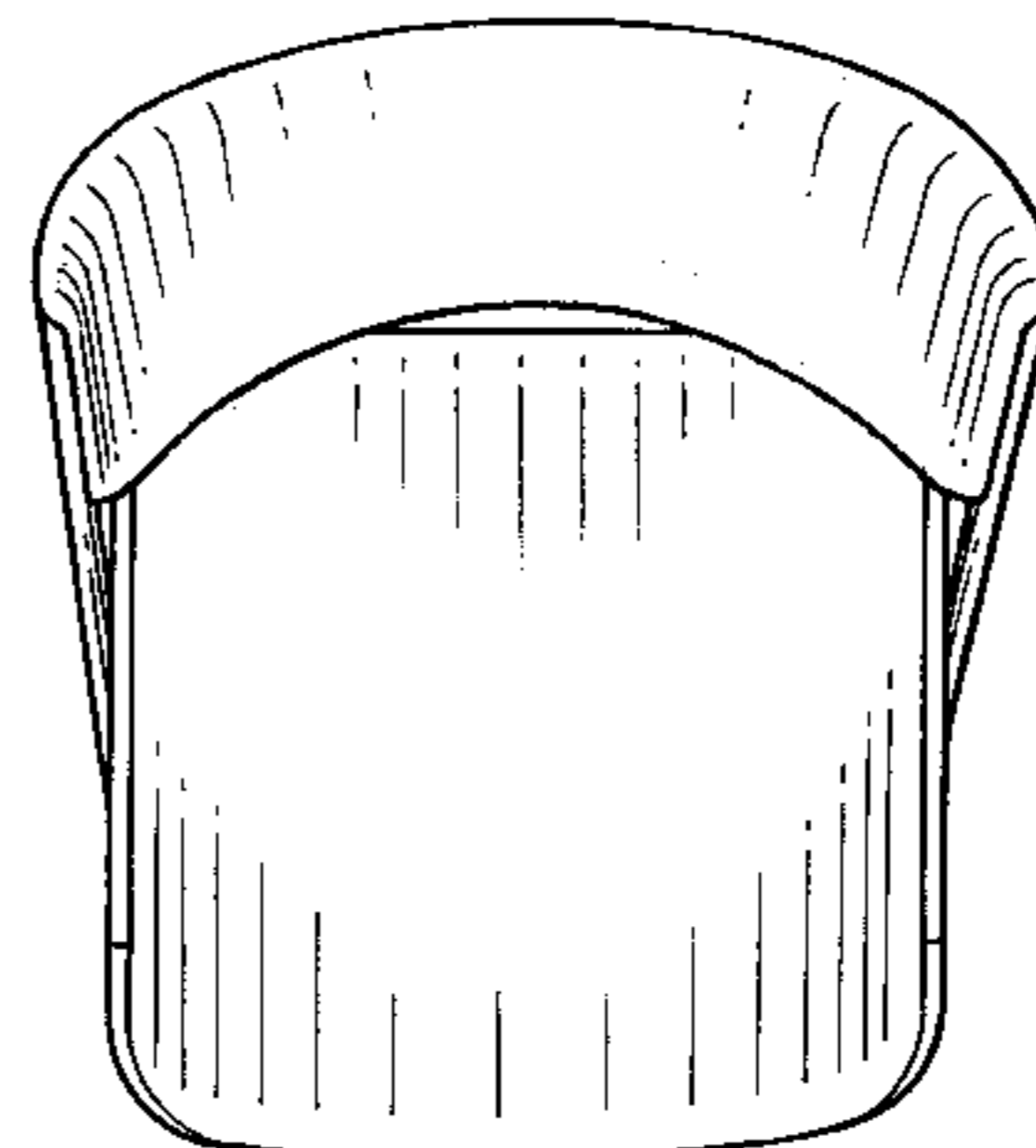
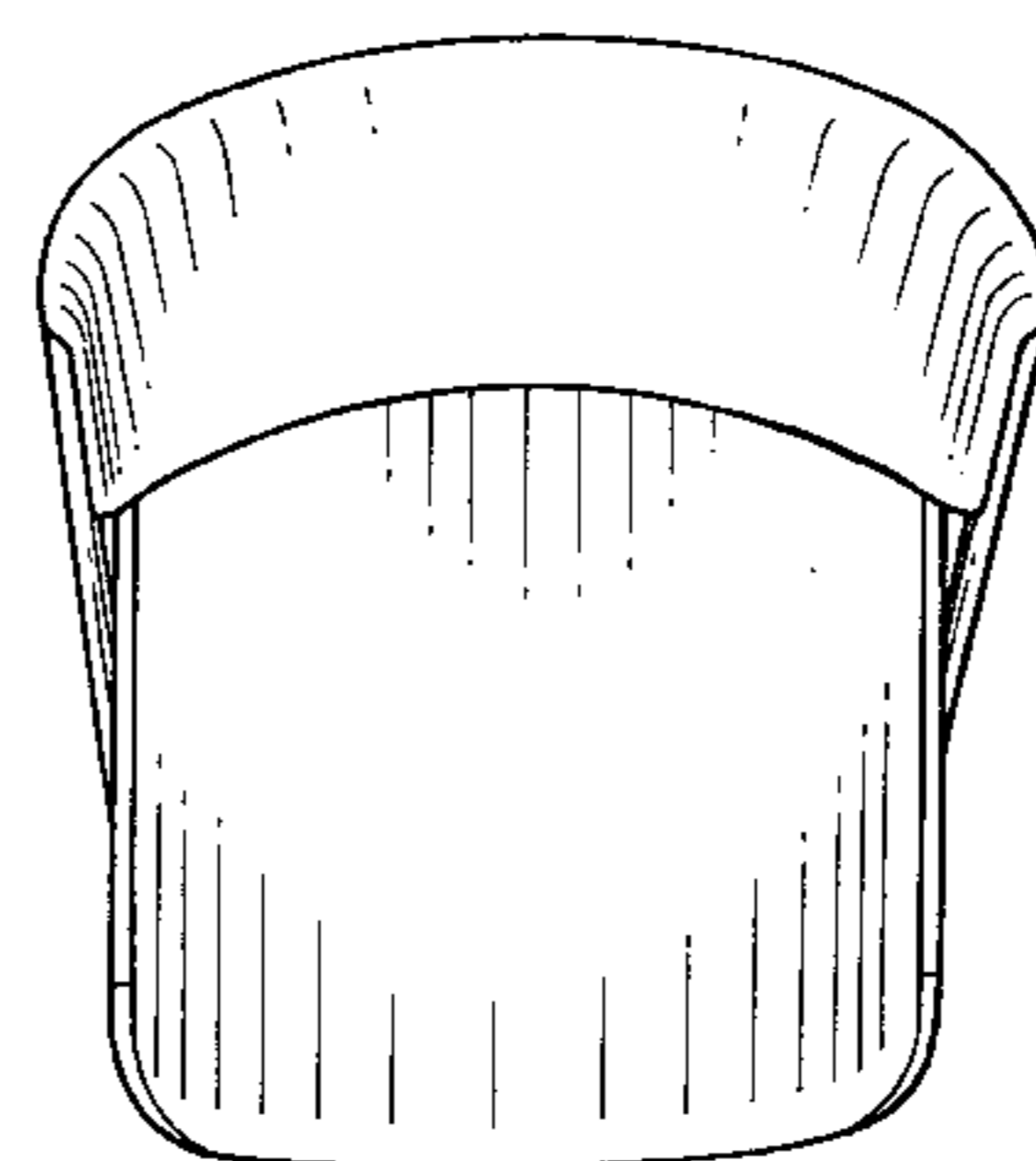
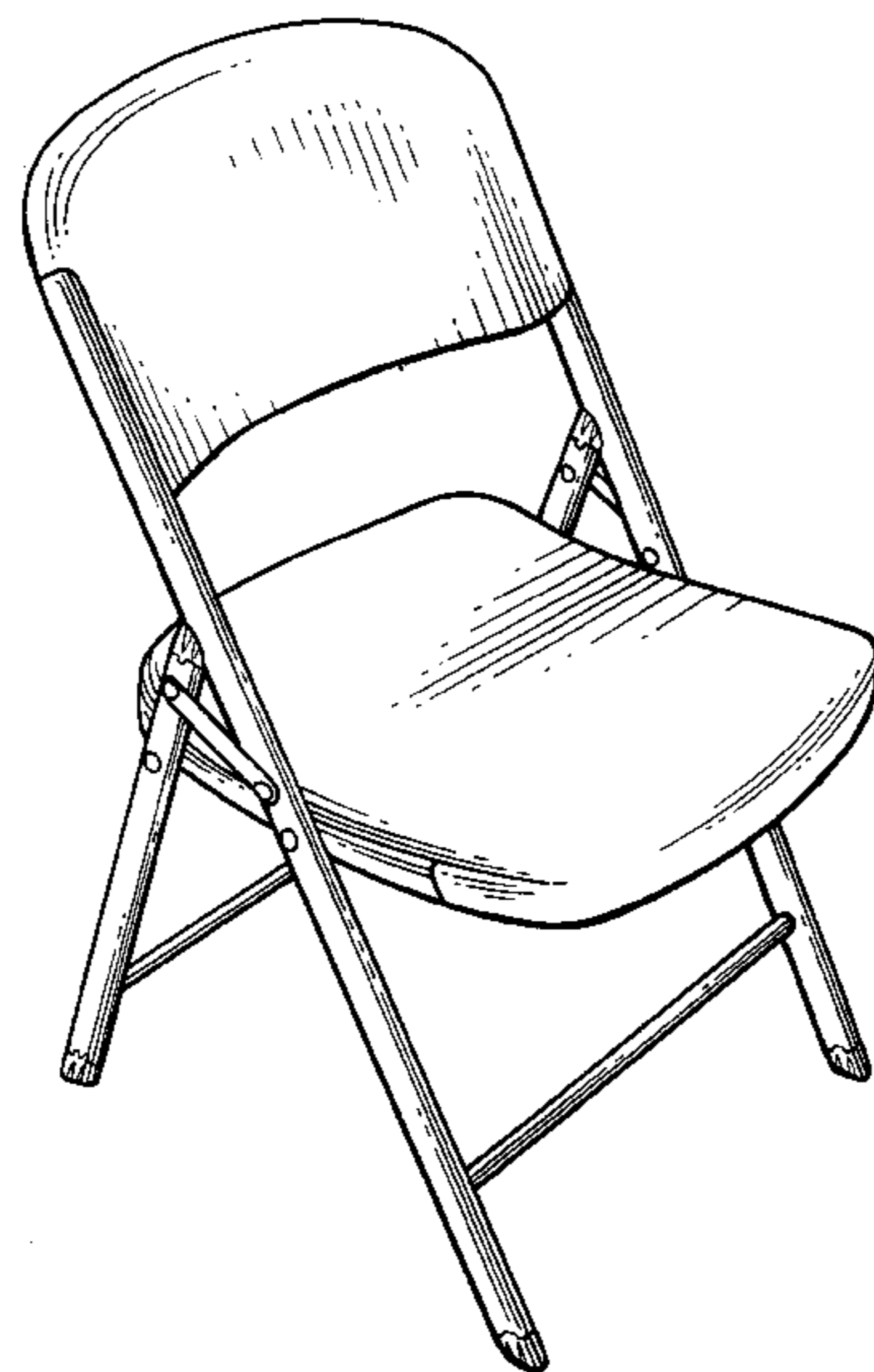
FIG. 13 is a top plan view of the embodiment of FIG. 8; and, FIG. 14 is a bottom plan view of the embodiment of FIG. 8.

* cited by examiner

Primary Examiner—Doris V. Coles

Assistant Examiner—Mimosa De

1 Claim, 8 Drawing Sheets



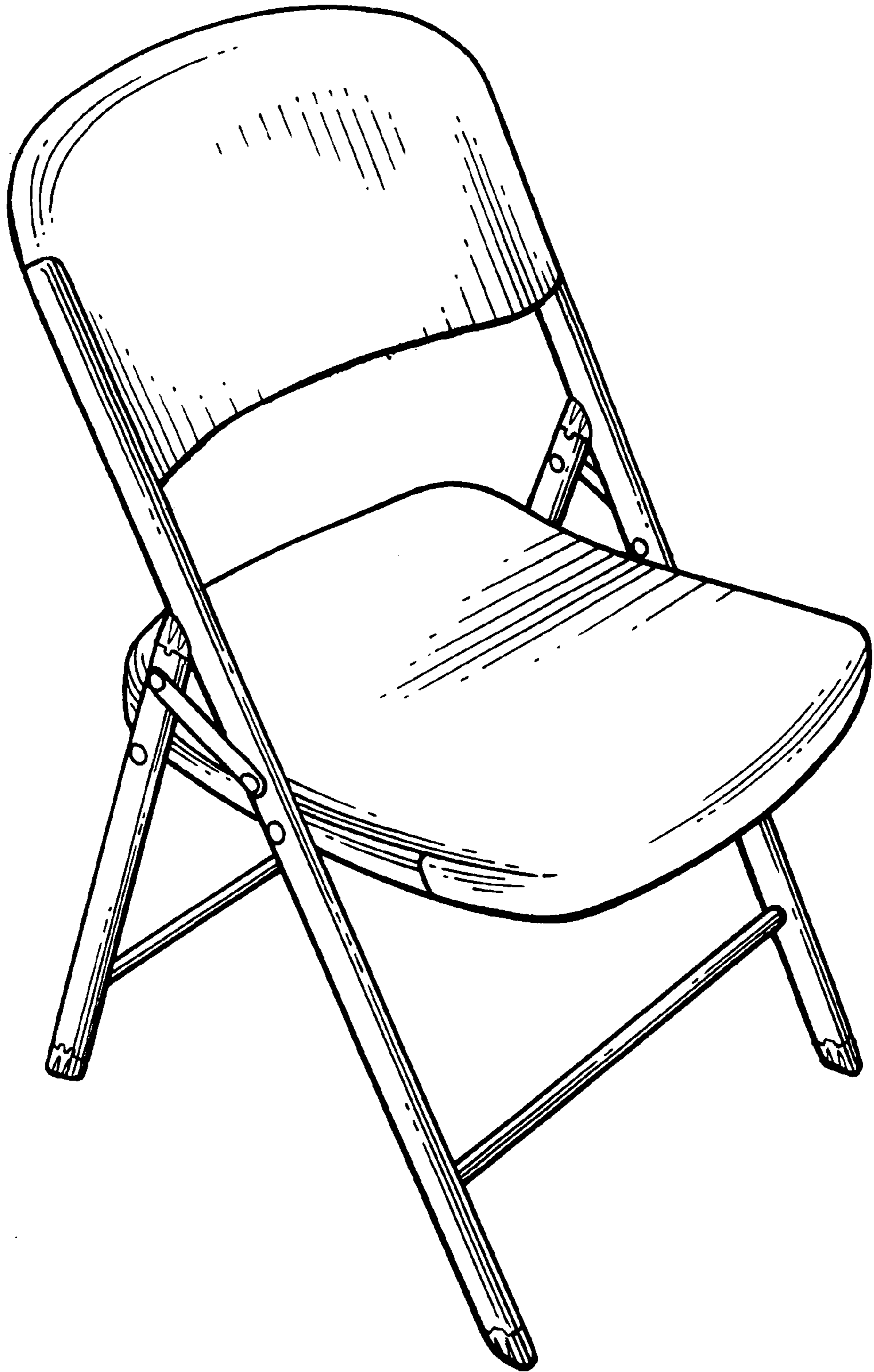


Fig. 1

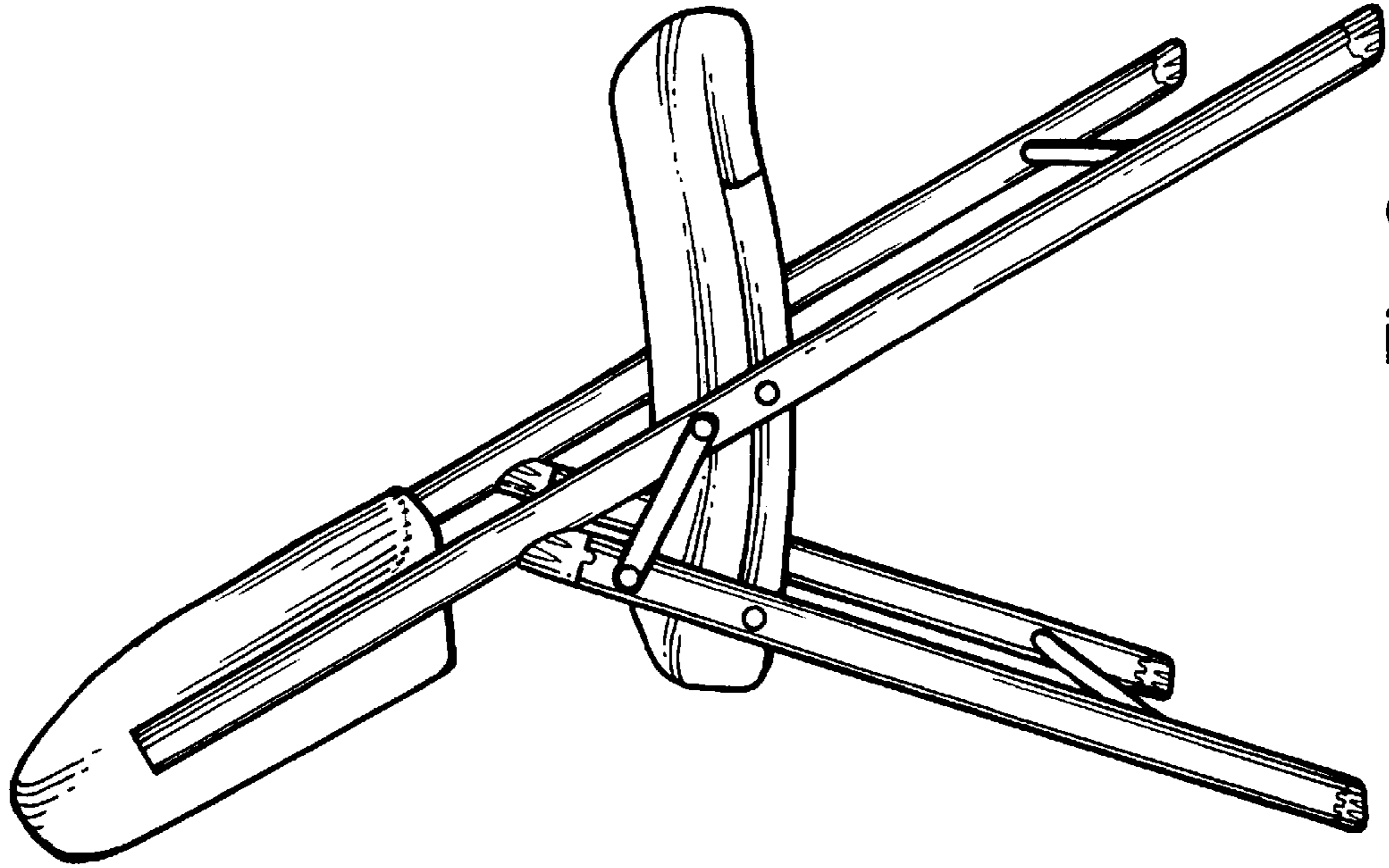


Fig.3

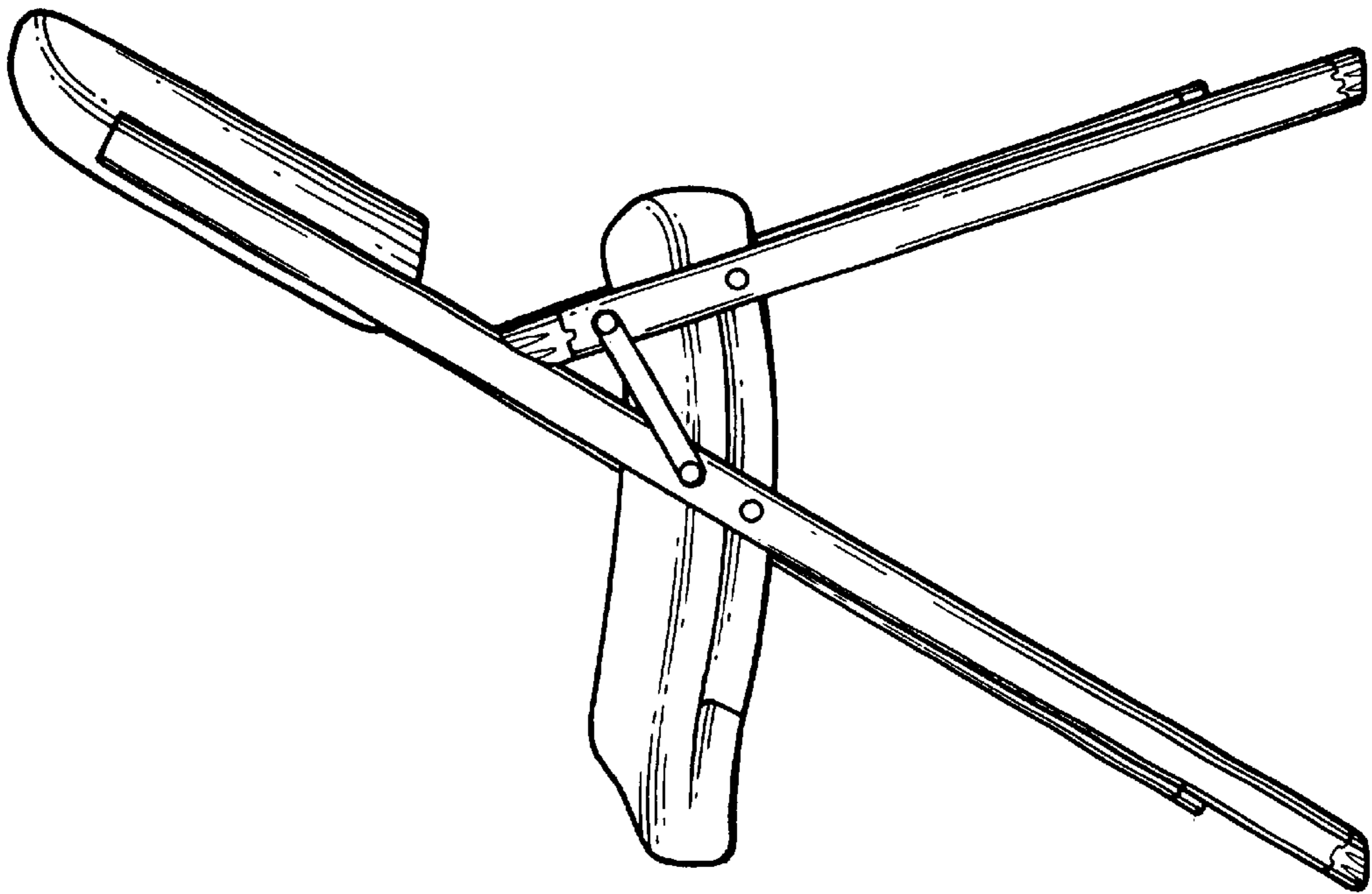


Fig.2

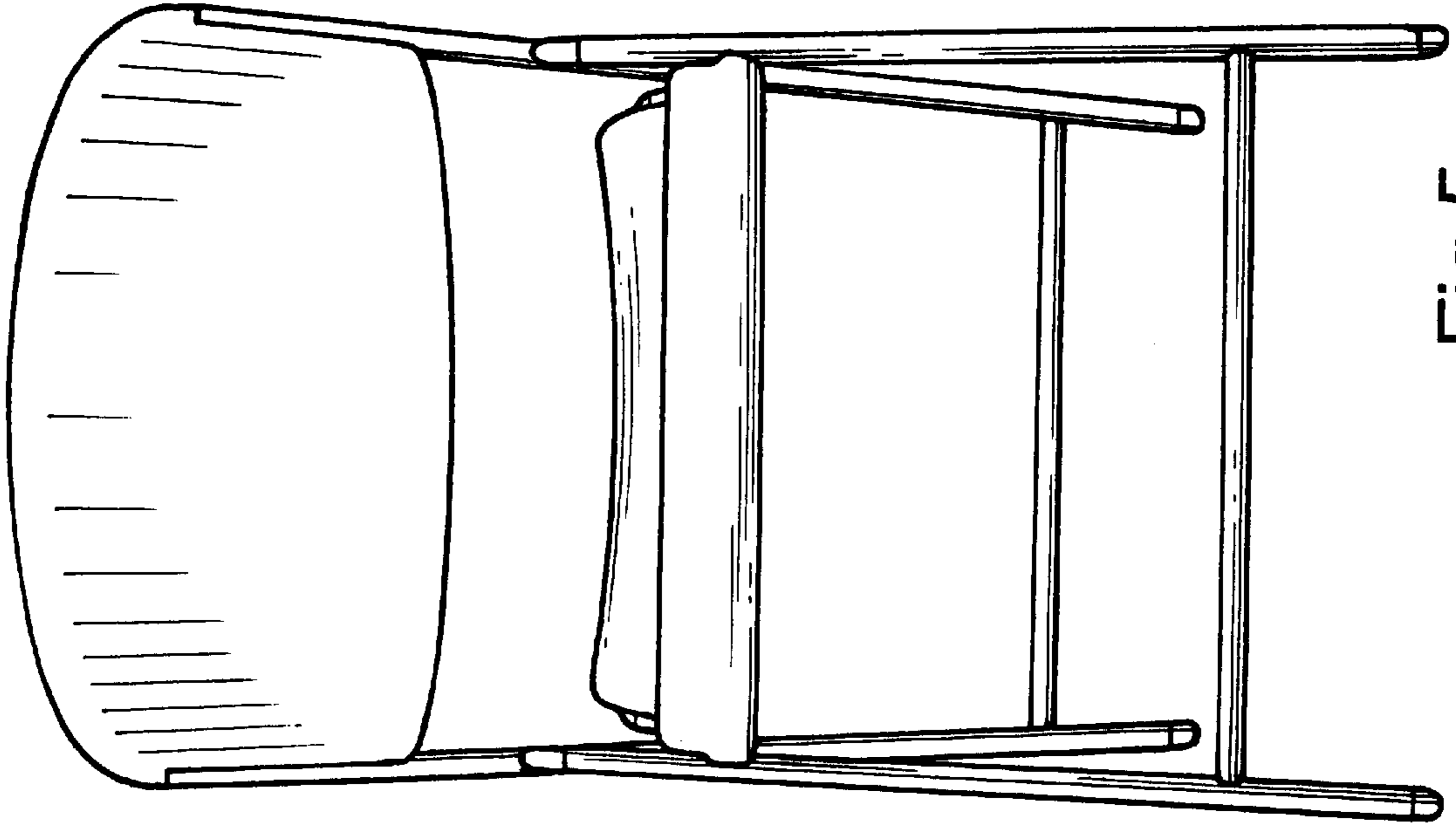


Fig. 5

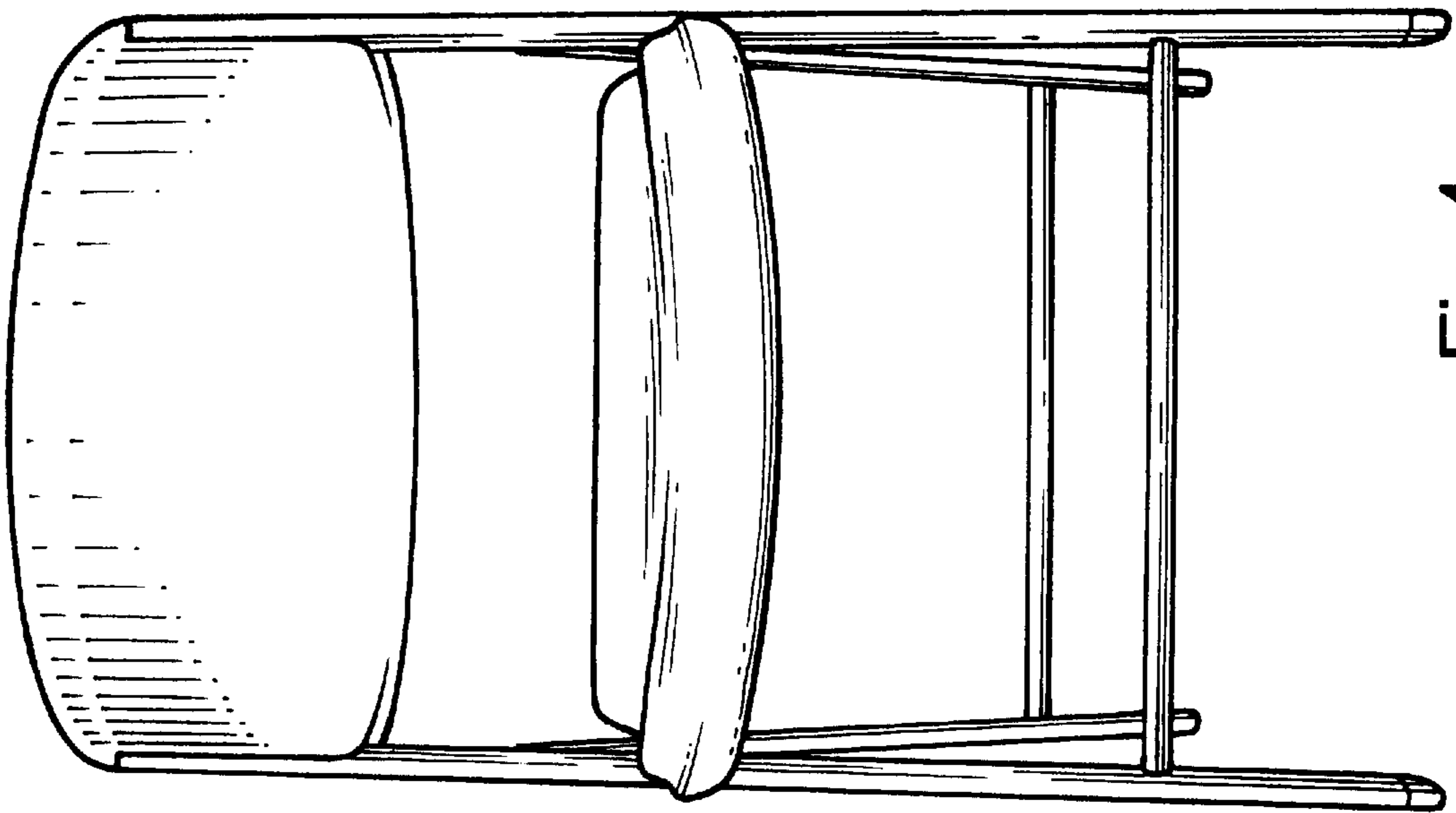


Fig. 4

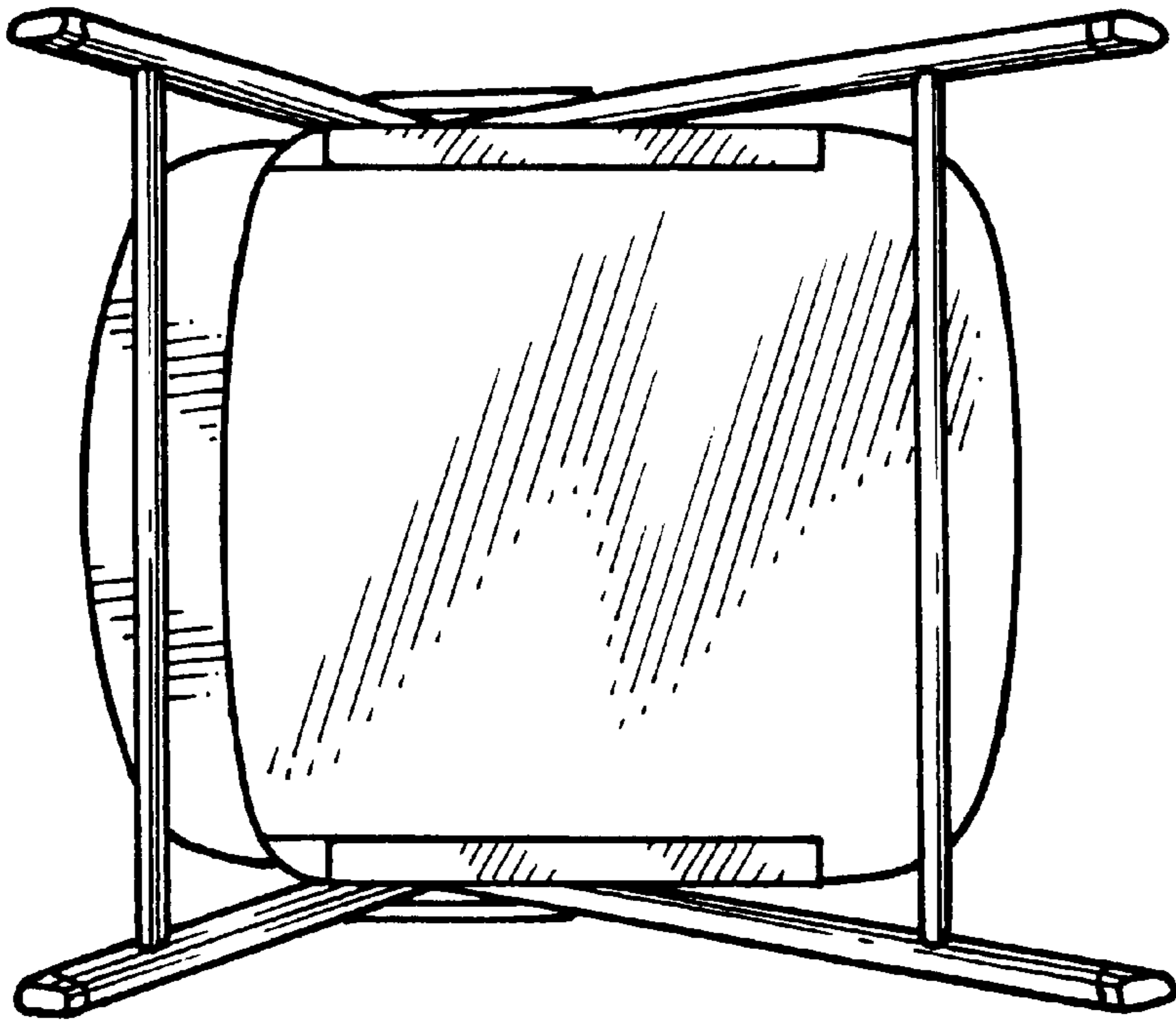


Fig. 7

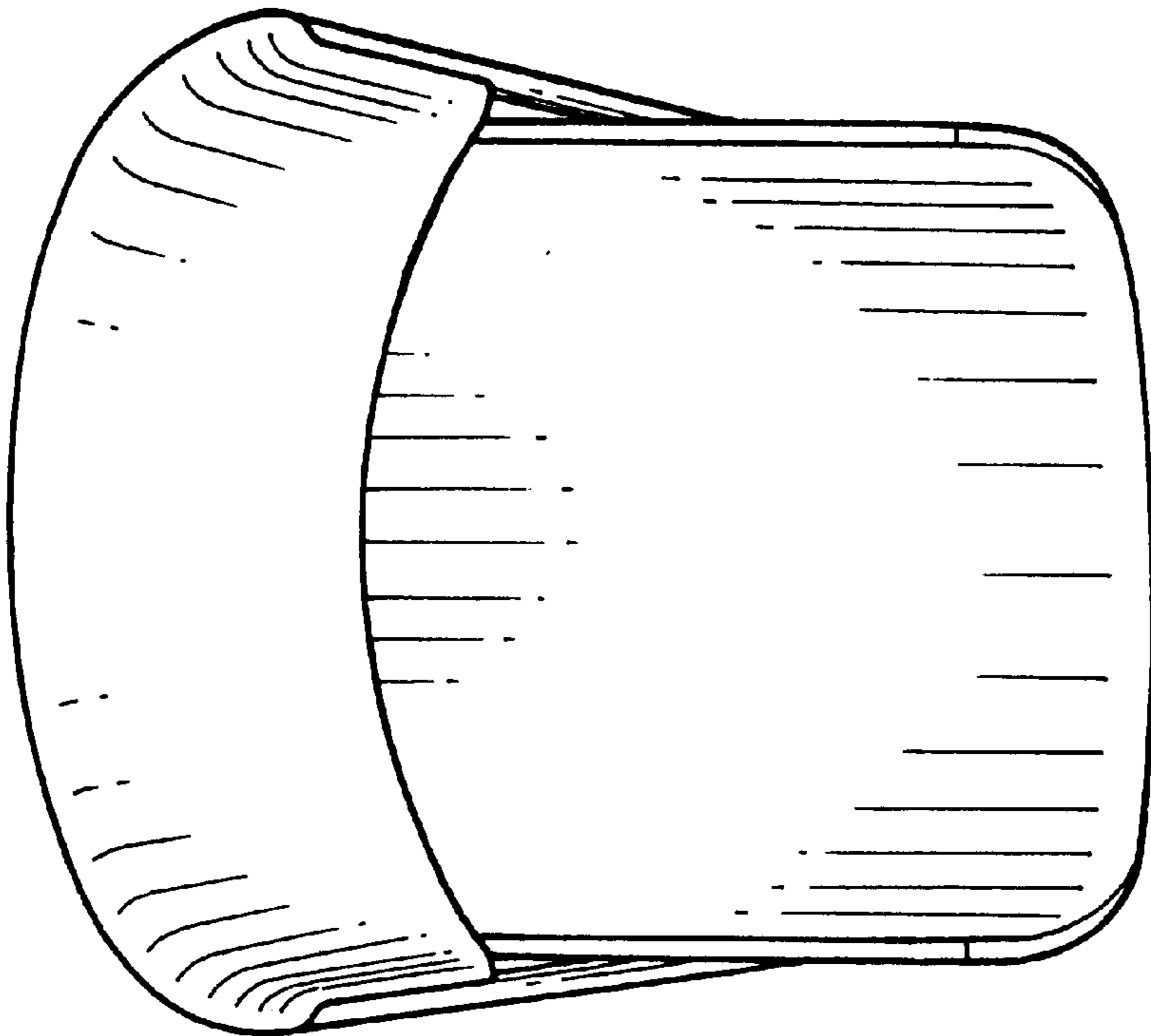


Fig. 6

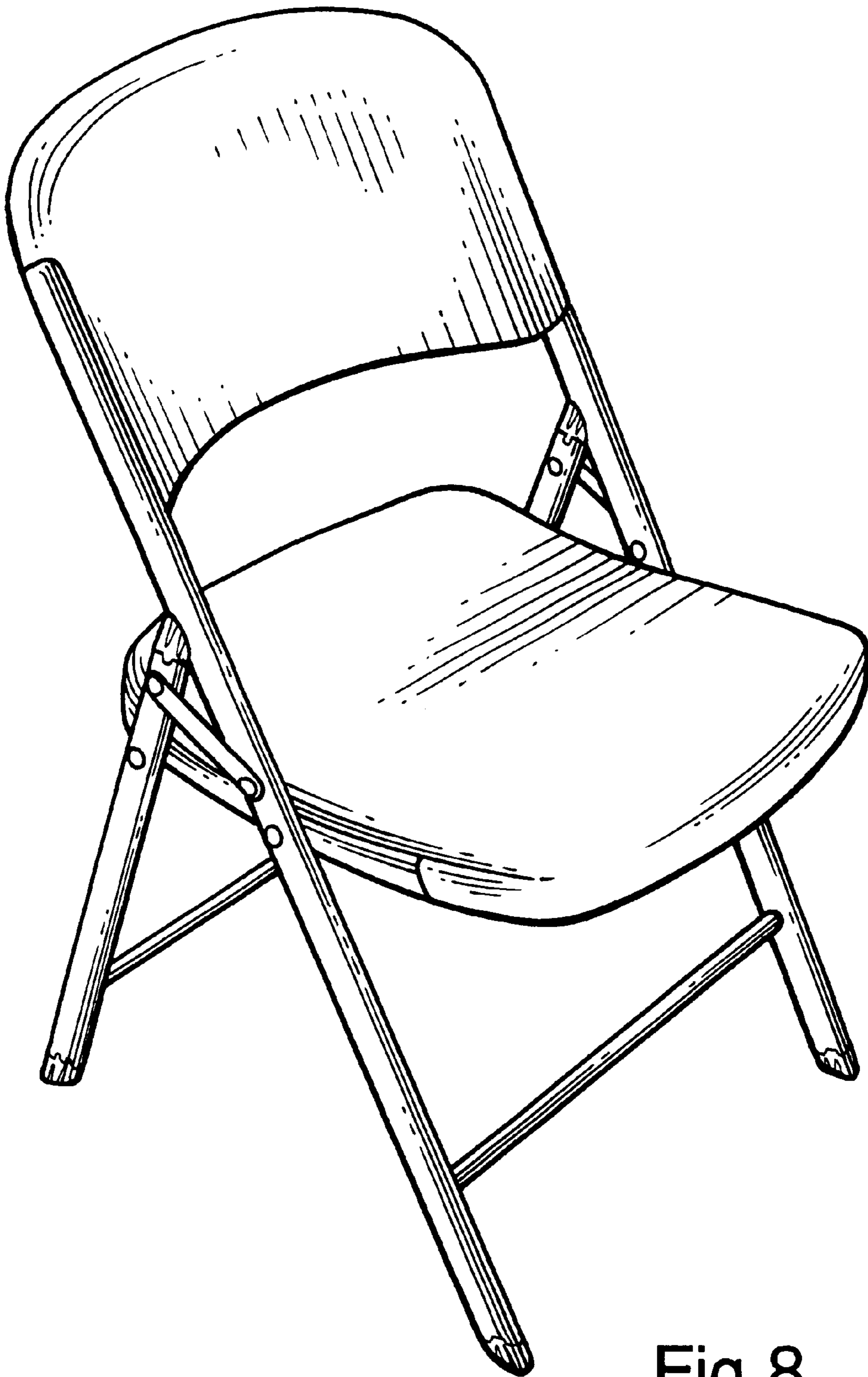


Fig.8

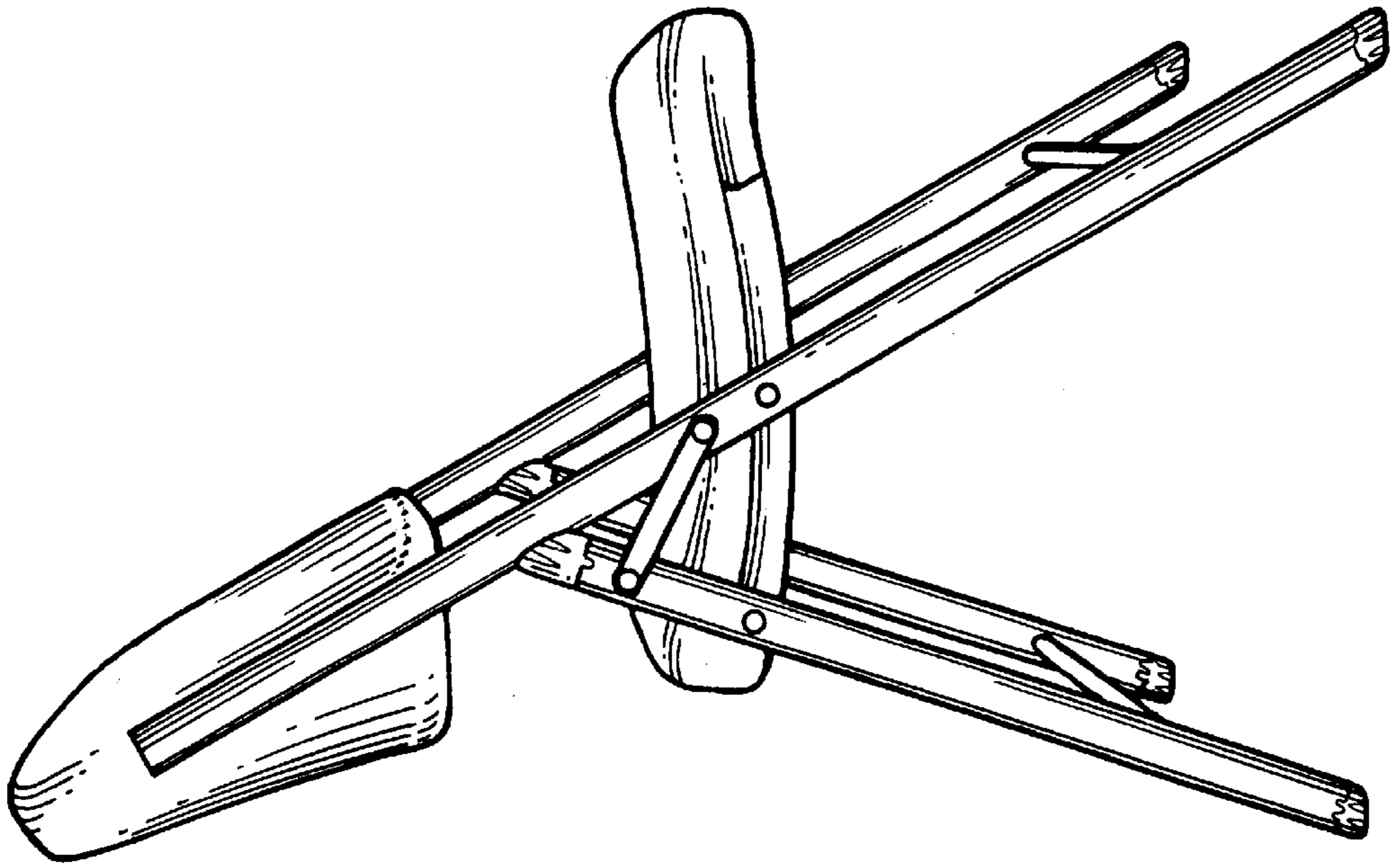


Fig. 10

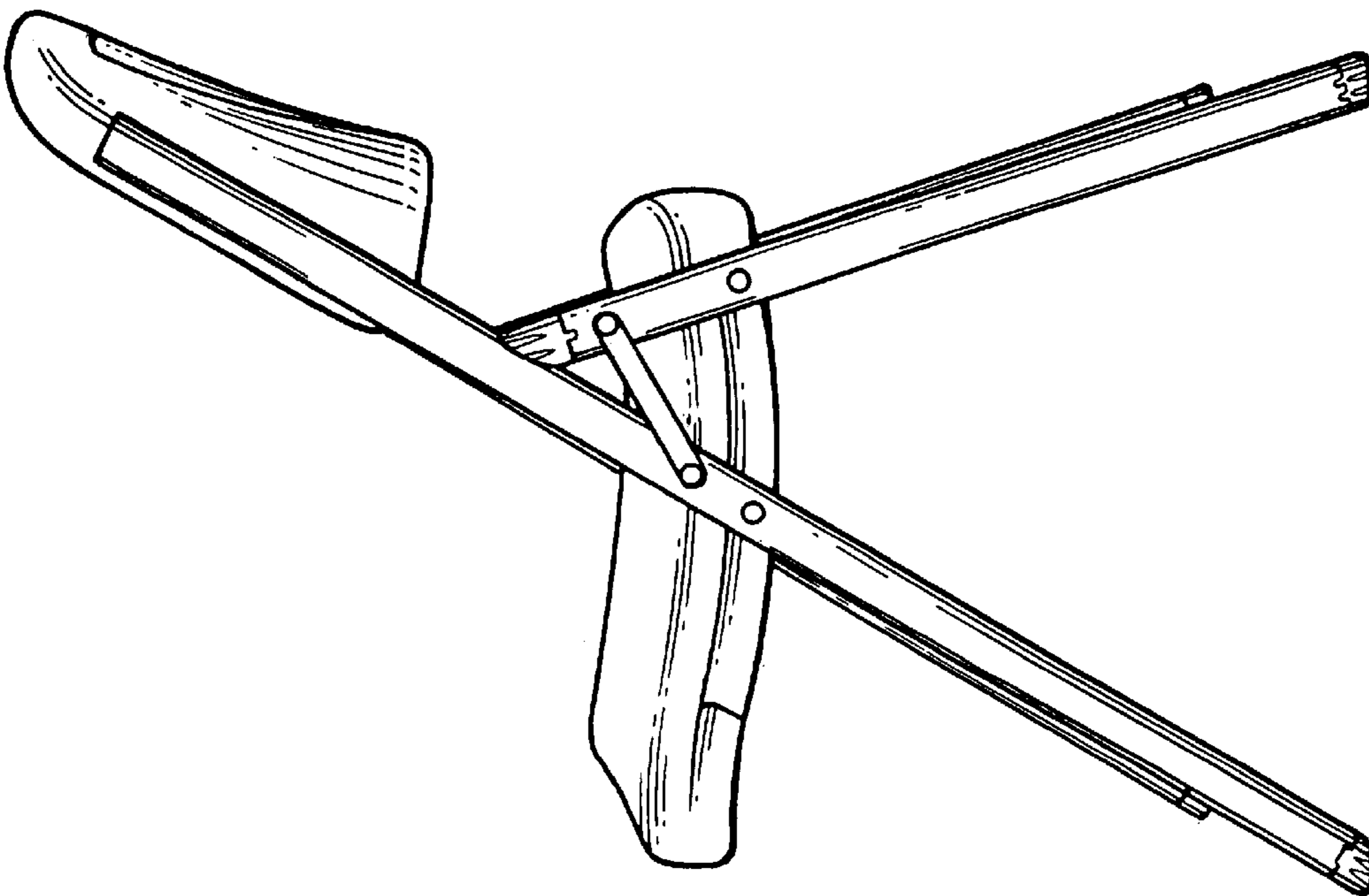


Fig. 9

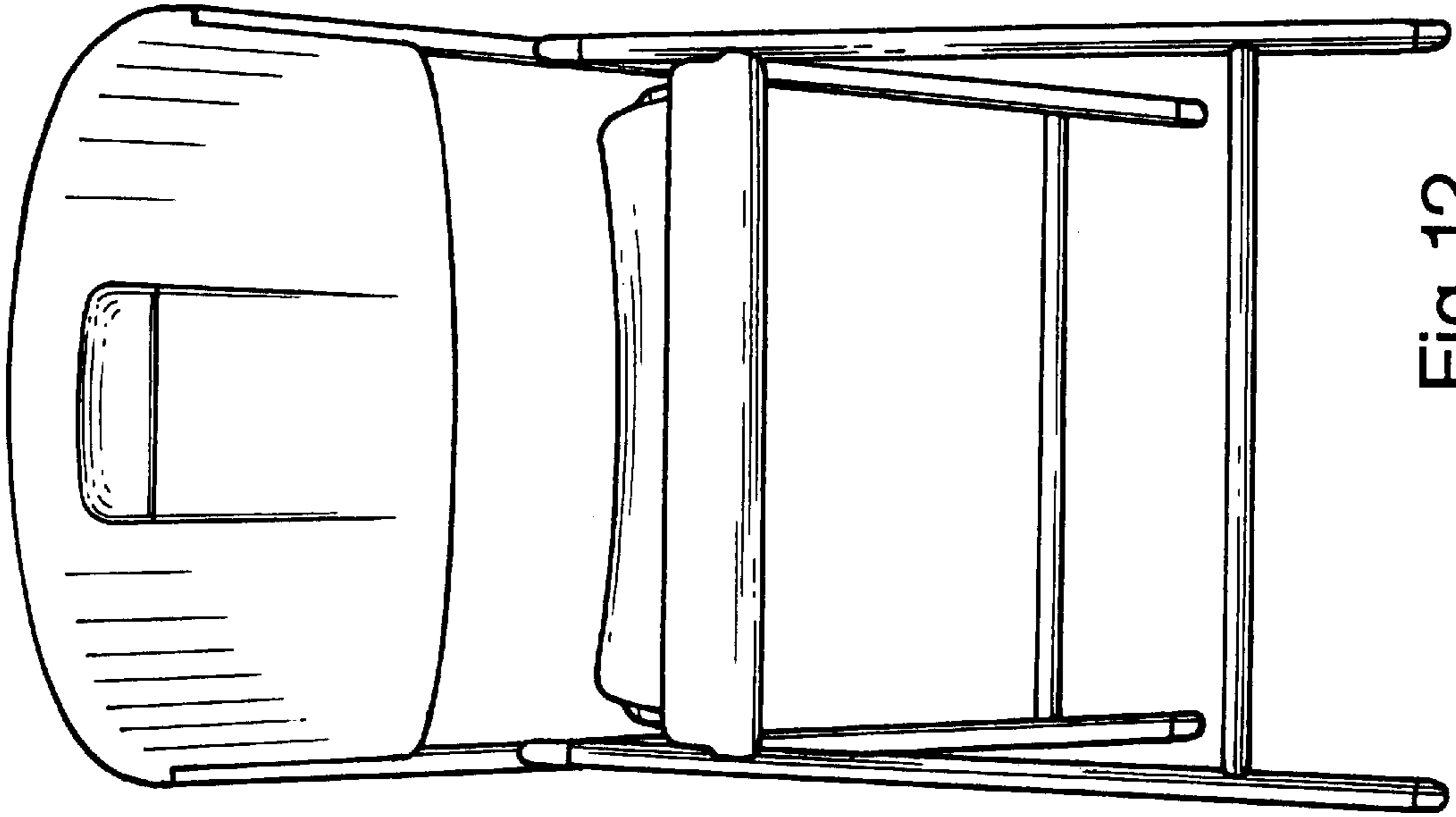


Fig.12

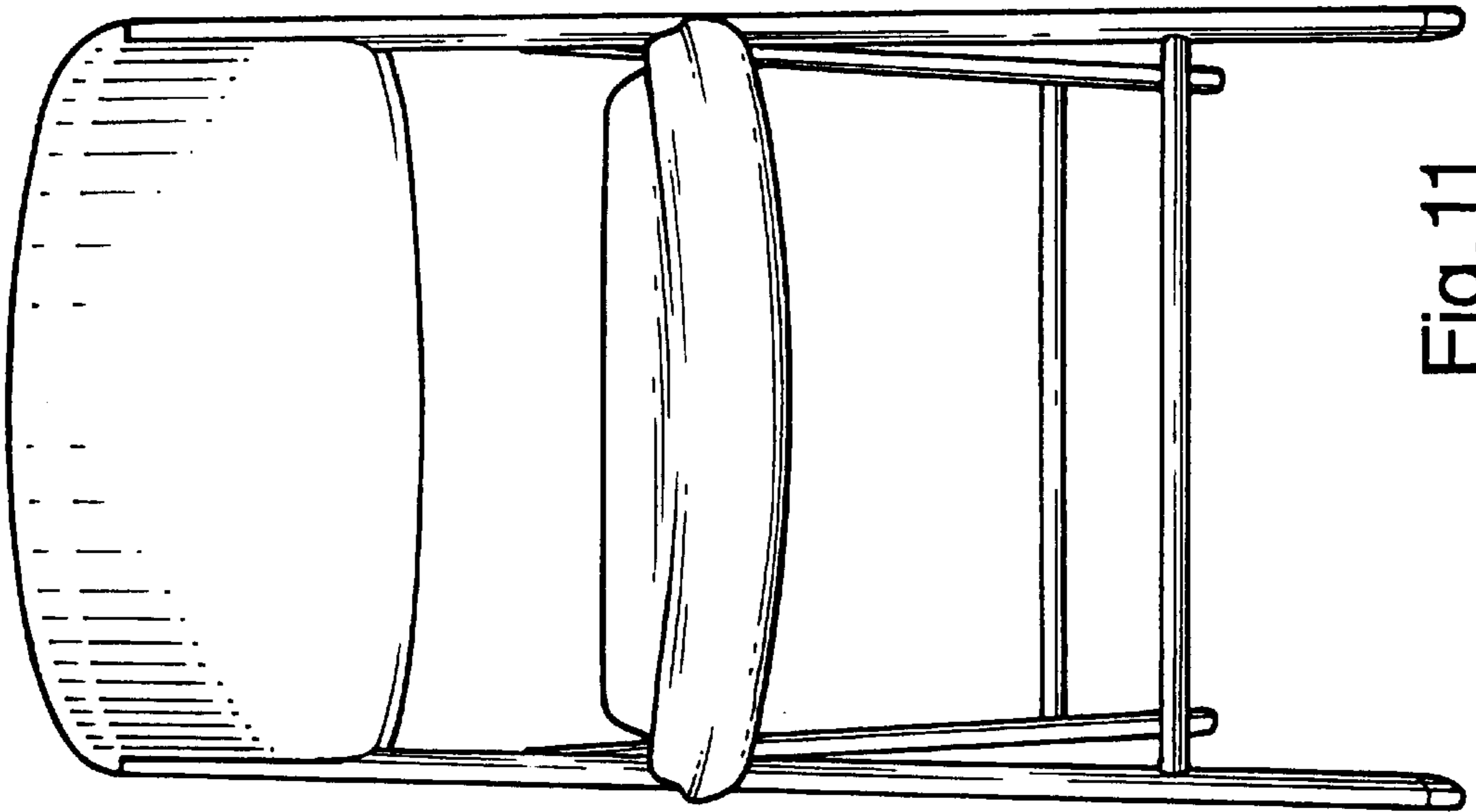


Fig.11

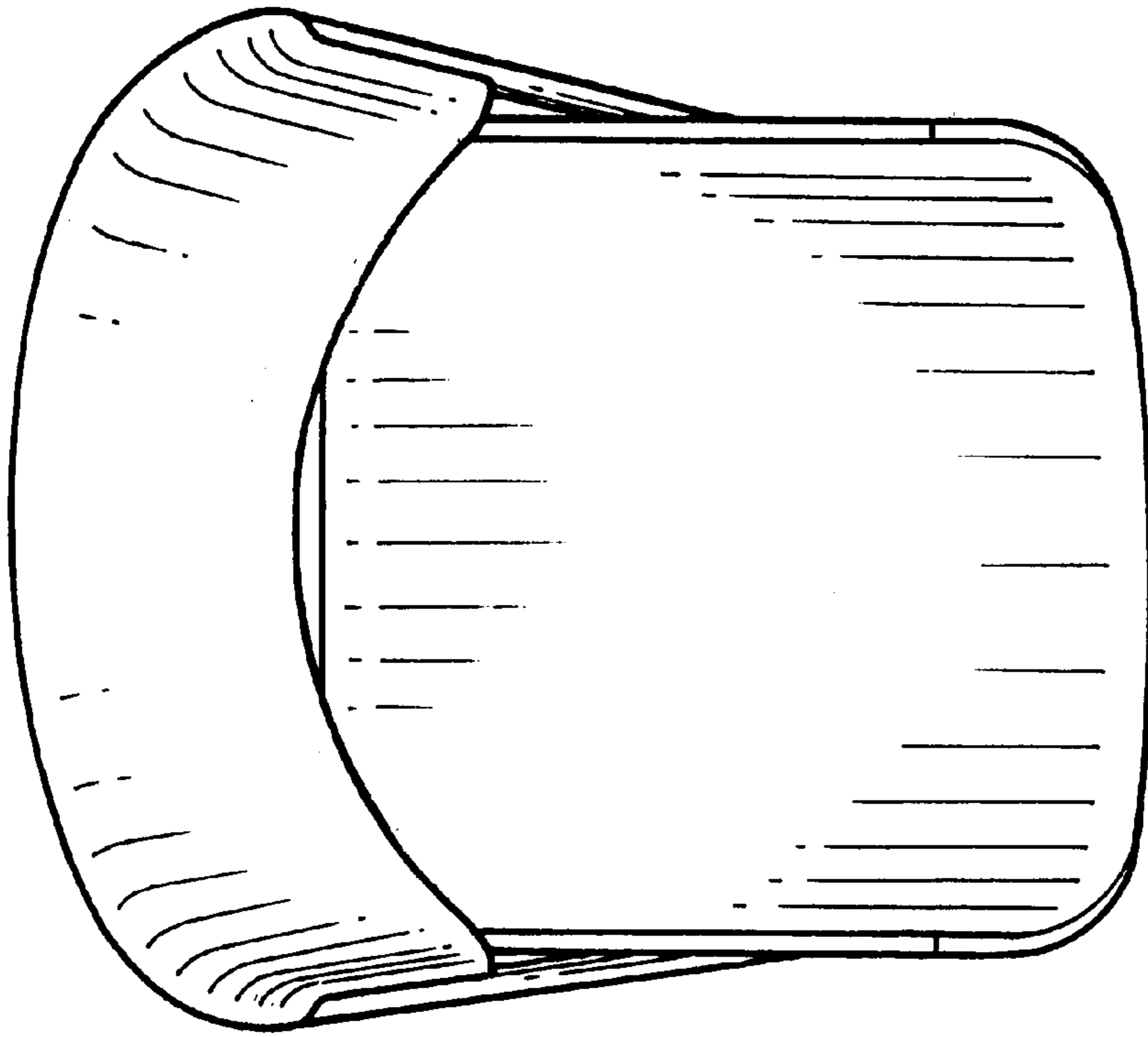


Fig. 13

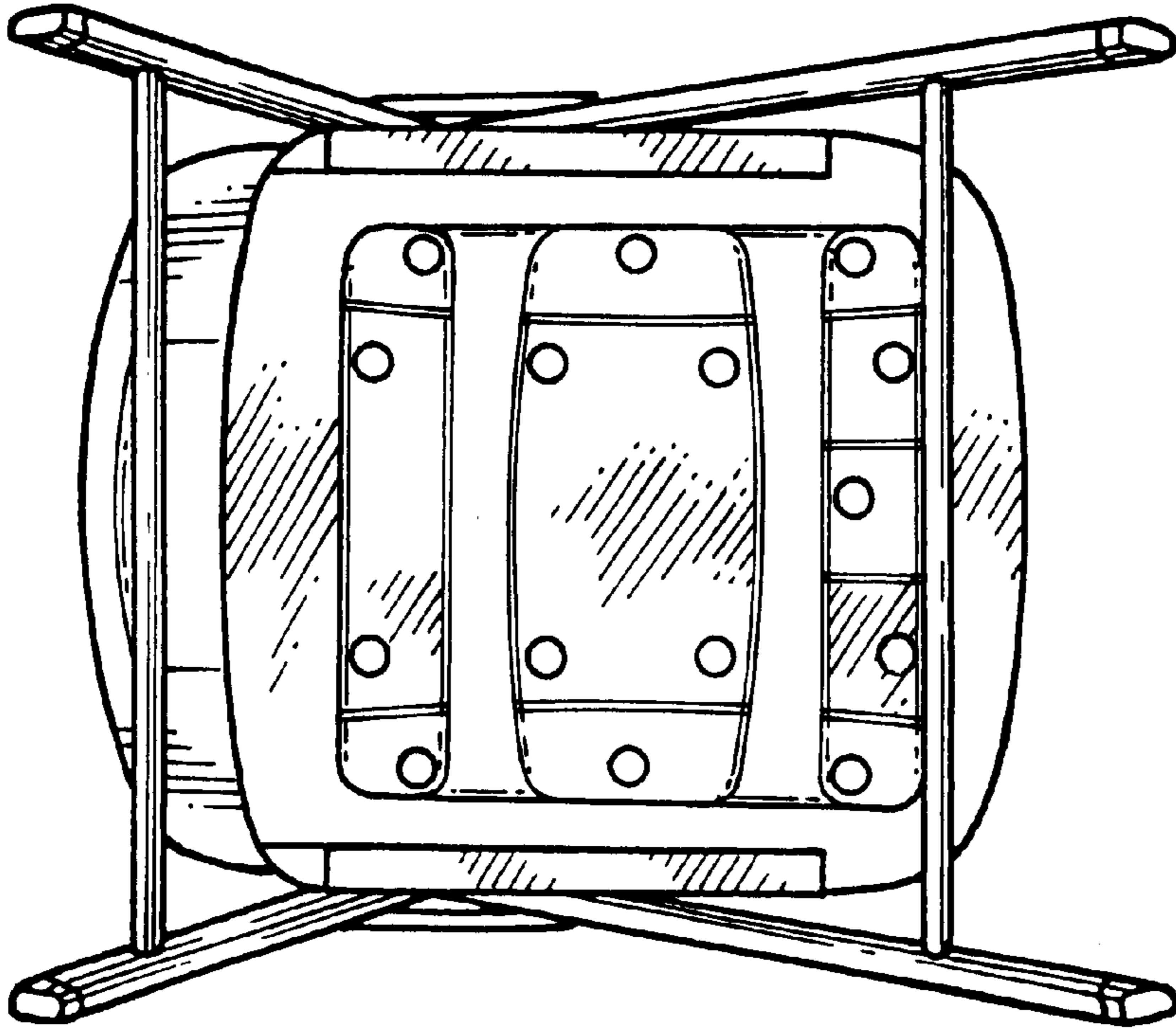


Fig. 14