



US00D443428S

(12) **United States Design Patent**
Przekop

(10) **Patent No.:** **US D443,428 S**

(45) **Date of Patent:** **** Jun. 12, 2001**

(54) **COMPUTER LOVESEAT**

(76) **Inventor:** **David Przekop**, 3245 Darlington Rd.,
Holiday, FL (US) 34691

(**) **Term:** **14 Years**

(21) **Appl. No.:** **29/128,386**

(22) **Filed:** **Aug. 23, 2000**

(51) **LOC (7) Cl.** **06-01**

(52) **U.S. Cl.** **D6/367**

(58) **Field of Search** D6/334, 335, 336,
D6/364, 365, 367, 374, 375, 379, 381,
500-502; 297/411.2, 411.25, 411.44, 411.27,
411.28

(56) **References Cited**

U.S. PATENT DOCUMENTS

- D. 259,157 * 5/1981 Lubke D6/381
- D. 280,683 * 9/1985 Parker D6/370

- D. 296,627 * 7/1988 Thorpe D6/379
- D. 300,091 * 3/1989 Frinier D6/381

* cited by examiner

Primary Examiner—Doris V. Coles

Assistant Examiner—Mimosa De

(74) *Attorney, Agent, or Firm*—Dennis G. LaPointe; Mason & Assoc., P.A.

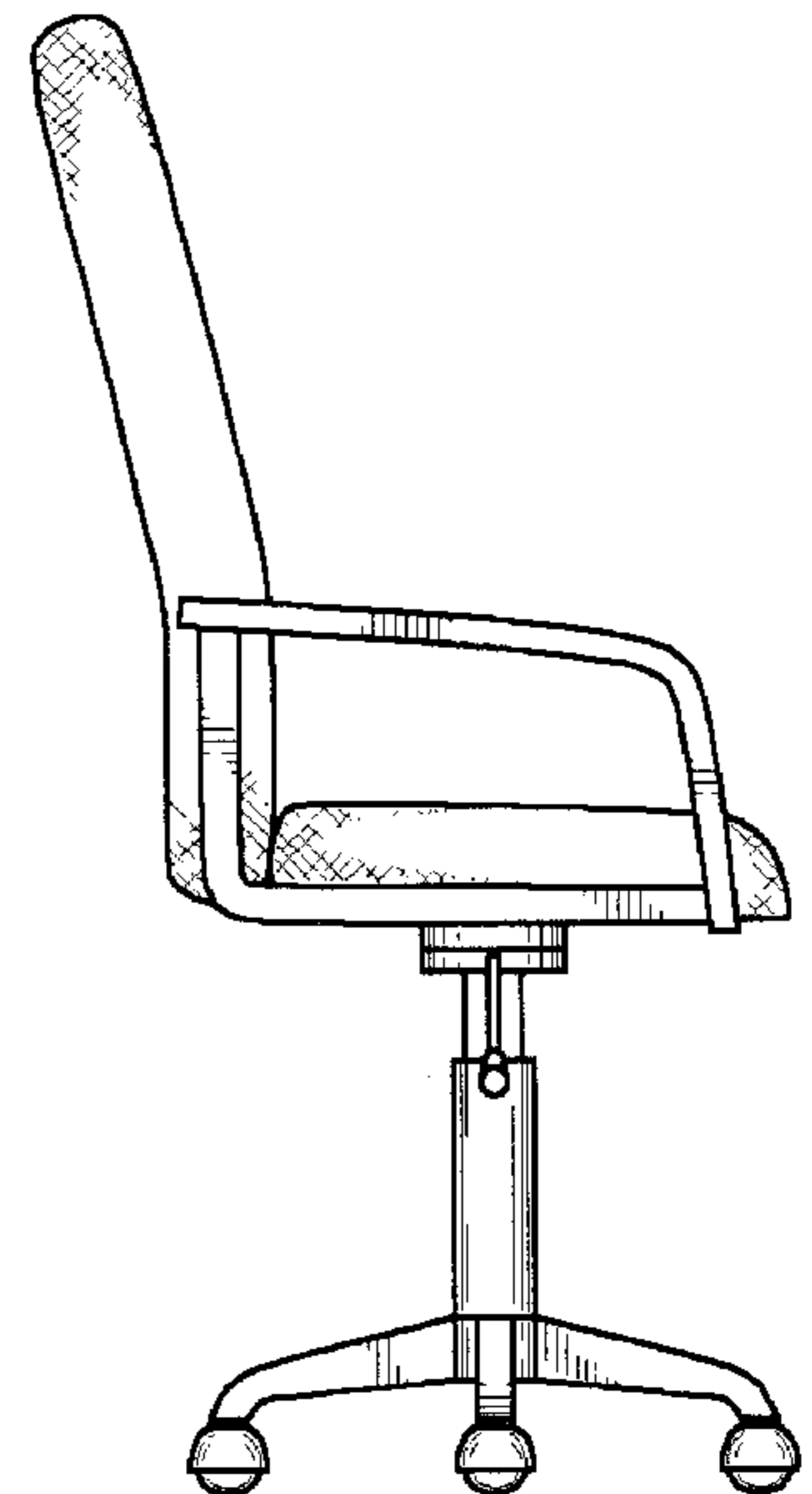
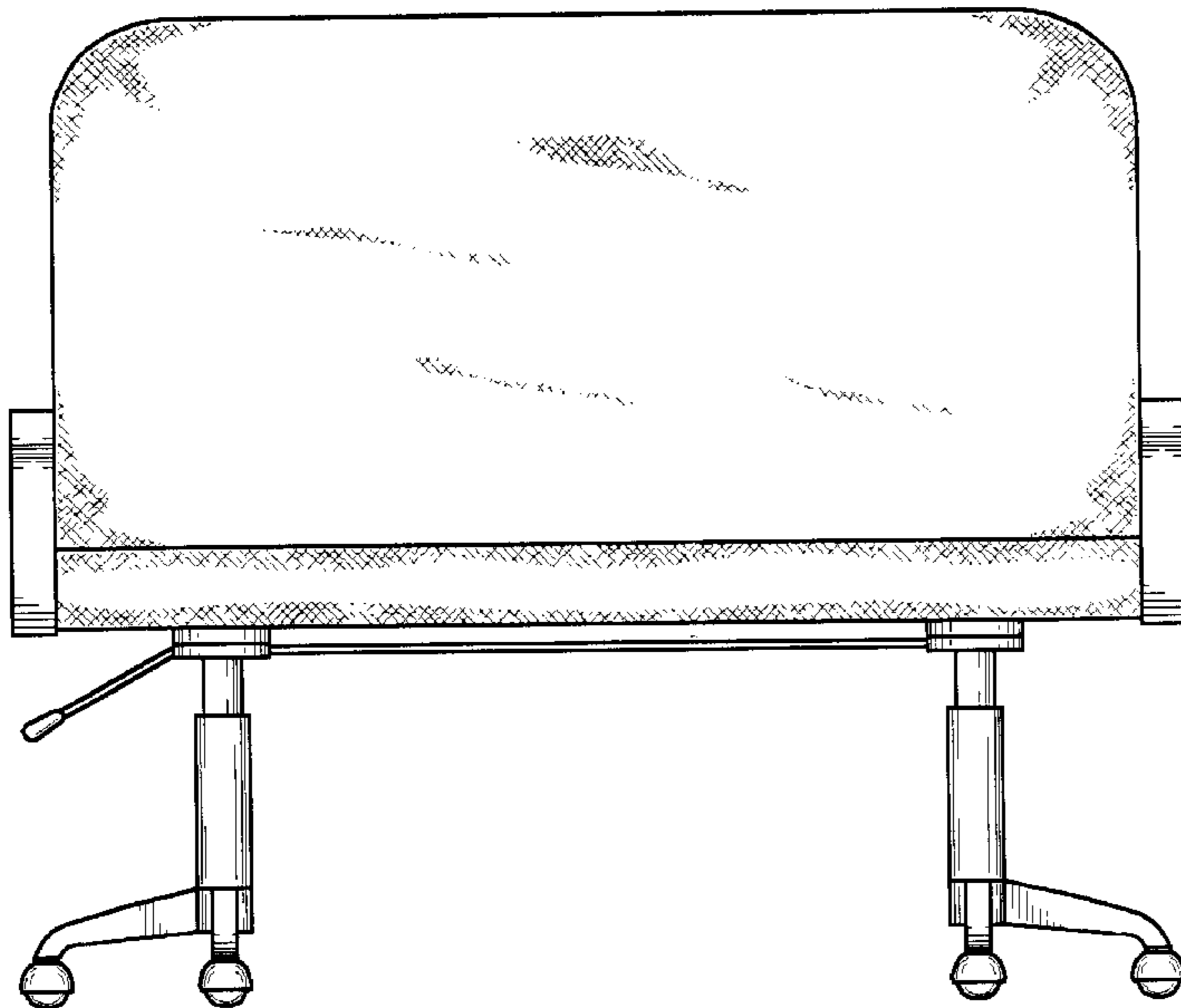
(57) **CLAIM**

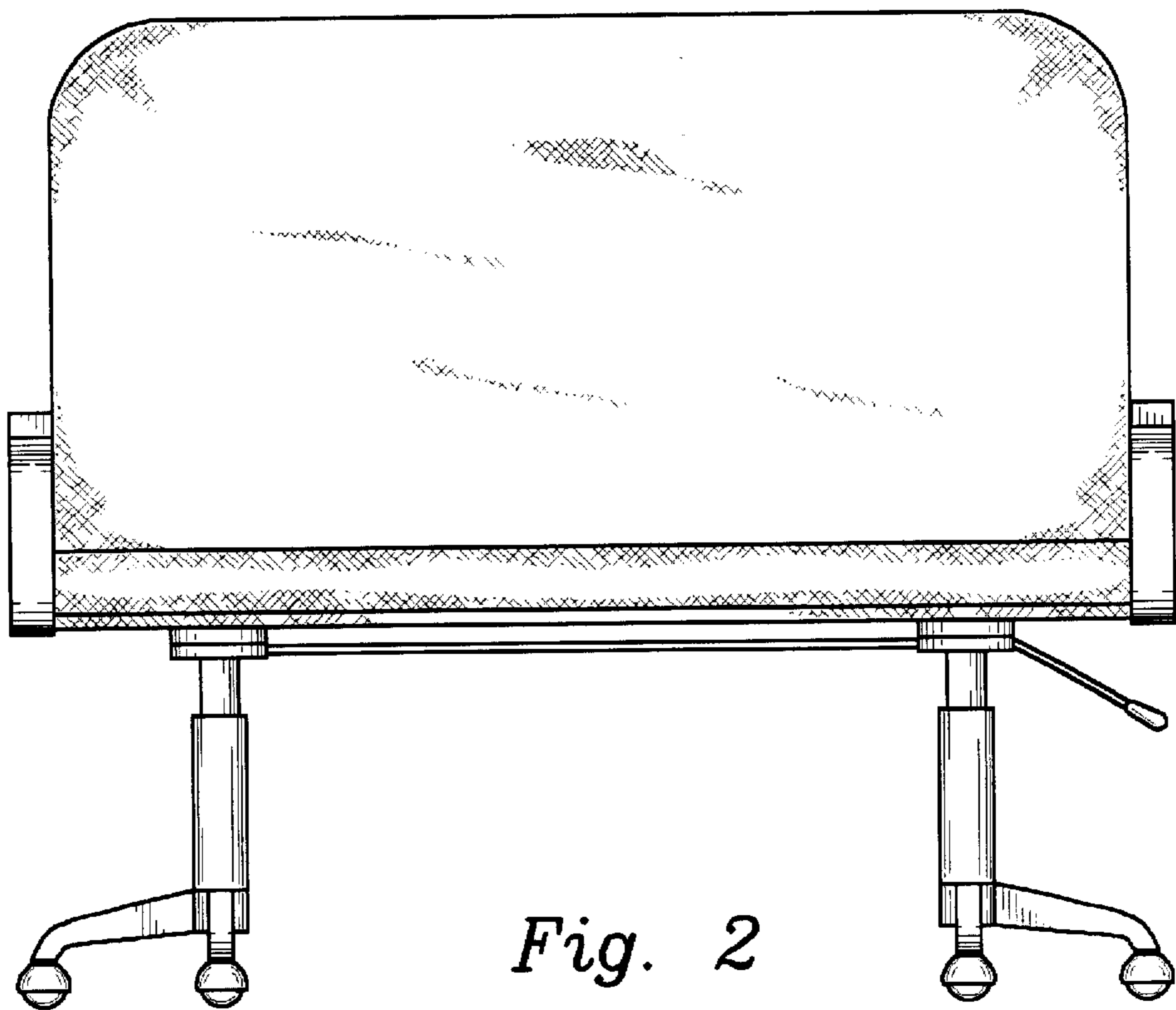
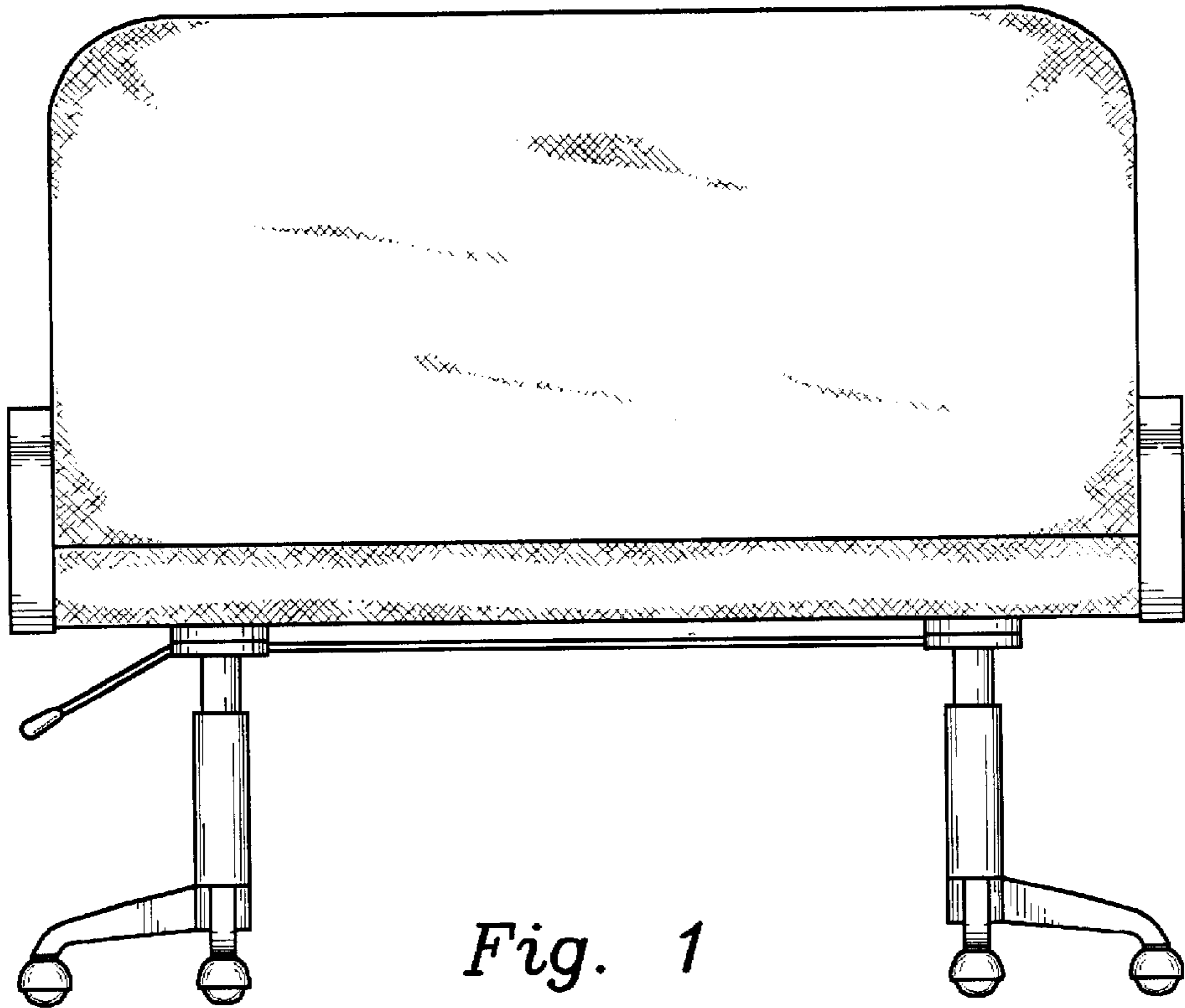
The ornamental design for computer loveseat, as shown and described.

DESCRIPTION

FIG. 1 is a front view of the design;
FIG. 2 is a back view of the design;
FIG. 3 is a left side view of the design;
FIG. 4 is a right side view of the design;
FIG. 5 is a top plan view of the design; and,
FIG. 6 is a bottom view of the design.

1 Claim, 3 Drawing Sheets





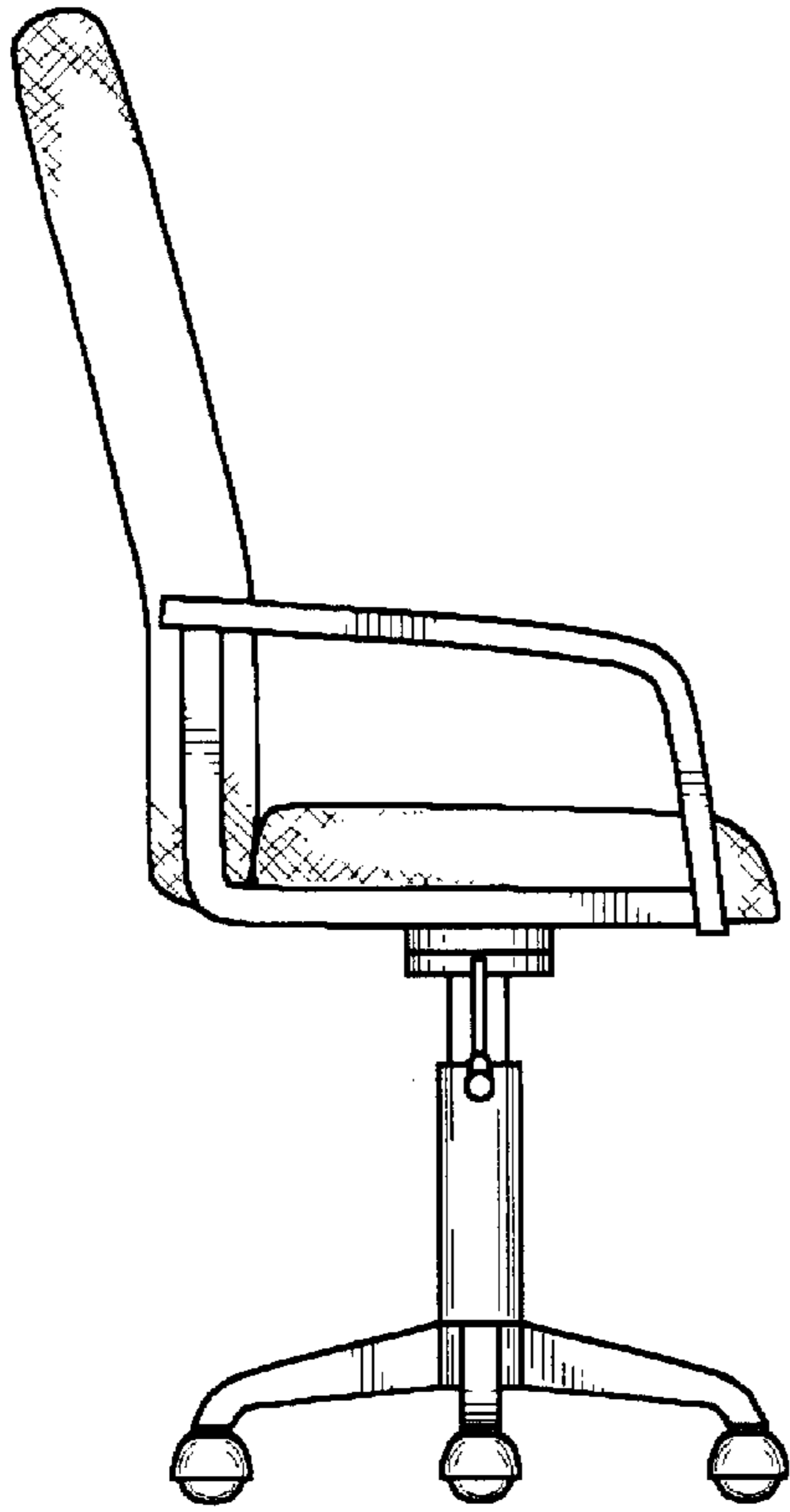


Fig. 3

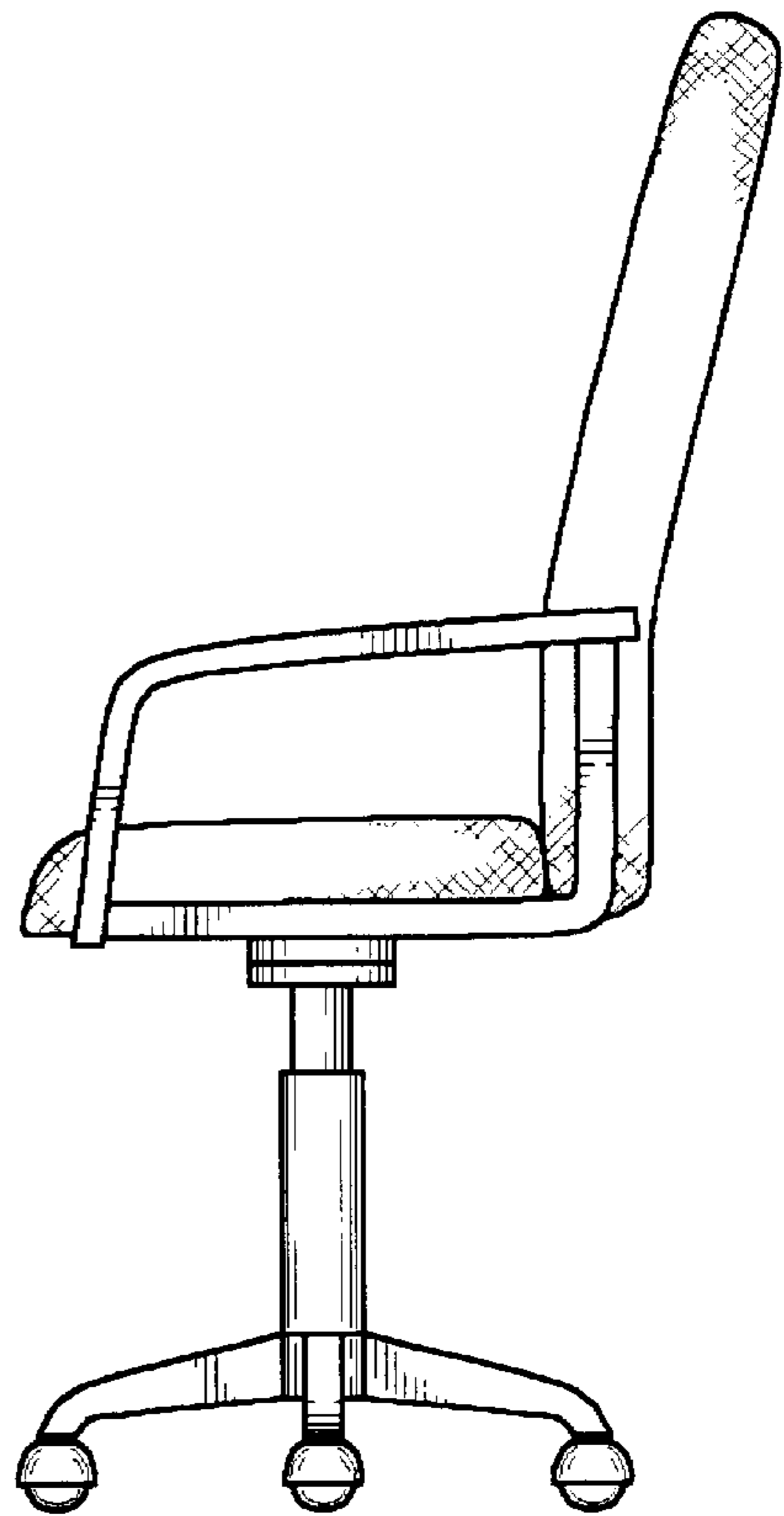


Fig. 4

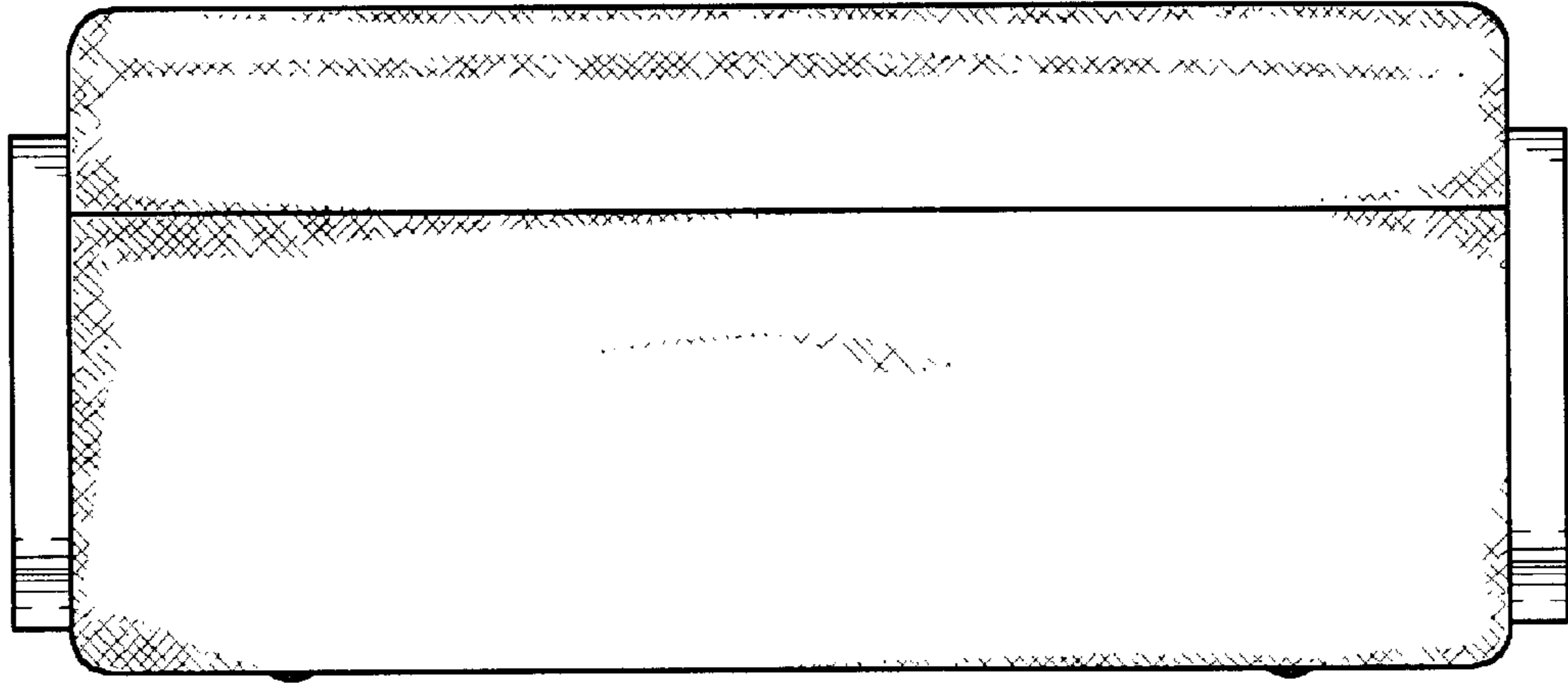


Fig. 5

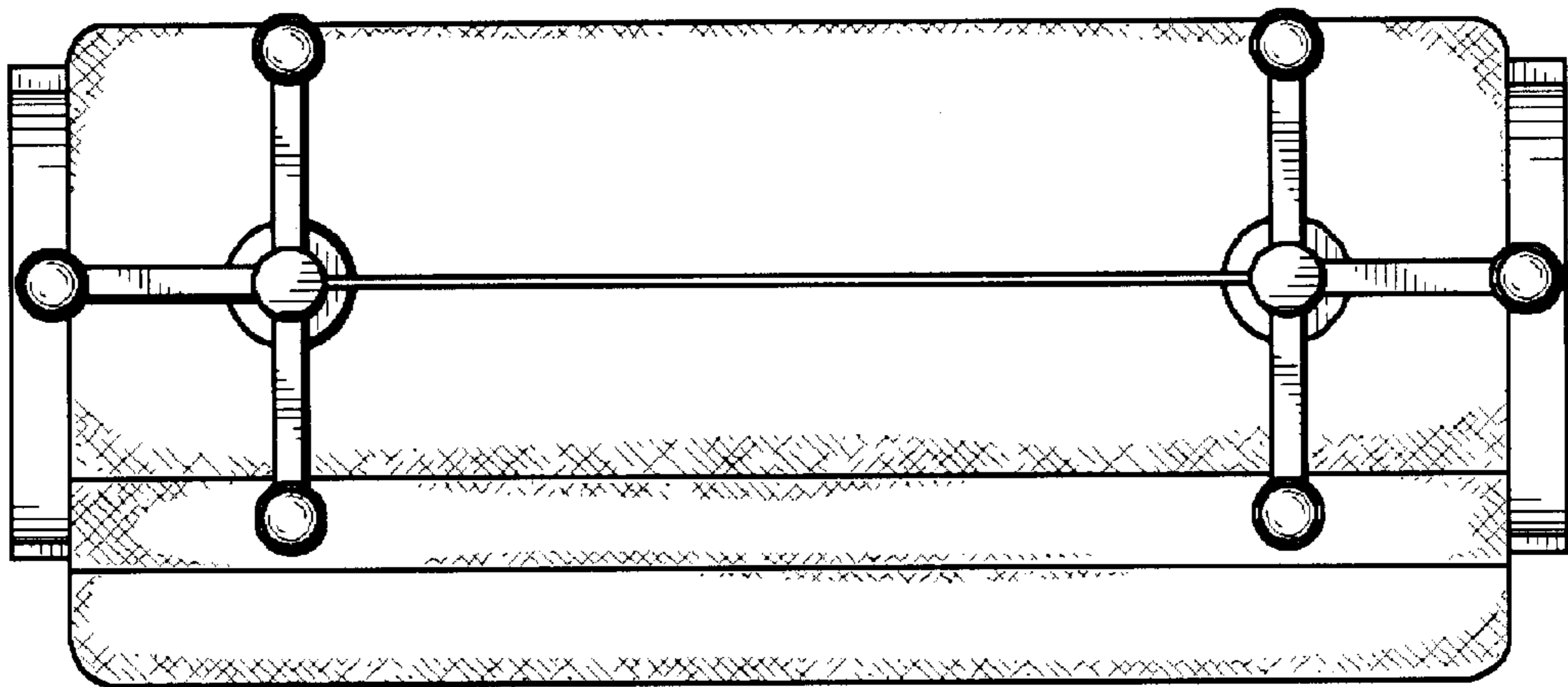


Fig. 6