



US00D443425S

(12) **United States Design Patent**  
**Pomeroy et al.**

(10) **Patent No.:** **US D443,425 S**

(45) **Date of Patent:** **\*\* \*Jun. 12, 2001**

(54) **COMBINED GLIDER CHAIRS WITH TABLE**

(75) Inventors: **Charles Pomeroy; John T. Bycraft,**  
both of South Bend, IN (US)

(73) Assignee: **Jack-Post Corporation,** Buchanan, MI  
(US)

(\* ) Notice: This patent is subject to a terminal disclaimer.

(\*\*) Term: **14 Years**

(21) Appl. No.: **29/121,632**

(22) Filed: **Apr. 11, 2000**

(51) **LOC (7) Cl.** ..... **06-01**

(52) **U.S. Cl.** ..... **D6/344**

(58) **Field of Search** ..... D6/334, 335, 336,  
D6/344, 347, 369, 374, 376, 379, 381,  
500-502; 297/171, 258.1, 280, 281, 282,  
344.21, 411.42, 411.44, 452.63

(56) **References Cited**

**U.S. PATENT DOCUMENTS**

- D. 92,012 4/1934 McGowen .
- D. 98,065 1/1936 Hardy .
- D. 99,375 4/1936 Spangler .
- D. 99,530 5/1936 Spencer .
- D. 103,956 4/1937 Rink .
- D. 110,560 7/1938 Goldberg .

(List continued on next page.)

**OTHER PUBLICATIONS**

1987 Jack-Post Catalog: Outdoor Furniture/Outdoor Products.

1988 Jack Post Catalog: Outdoor Furniture/Outdoor Products/Building Products.

1989 Jack Post Catalog: Outdoor Furniture/Outdoor Products/Building Products.

1990 Iron Mountain Catalog: Fine Outdoor and Patio Furniture; Iron Mountain.

1991 Jack Post Catalog: Outdoor Furniture/Outdoor Products/Building Products.

1992 Jack Post Catalog: Outdoor Furniture/Outdoor Products/Building Products.

Leaflet: Grand Isle LGL-51HBZ Traditional High Back Glider and LGL-51Z Glider; Cardinal Home Products of Cleveland, Ohio; date unknown undated.

Leaflet: Grand Isle LGL-48HBG High Bark Glider-Premium; Cardinal Home Products of Cleveland, Ohio undated.

Leaflet: Grand Isle LGL-22JHBG High Back Chair; Cardinal Home Products of Cleveland, Ohio undated.

Leaflet: Grand Isle LGL-22Z Glider Chair; Cardinal Home Products of Cleveland, Ohio undated.

Leaflet: Grand Isle LGL-44TV Glider and LGL-44V Glider; Cardinal Home Products of Cleveland, Ohio undated.

Leaflet: Grand Isle LGL-48TZ Deluxe Glider With Side Tables and LGL-48Z Deluxe Glider; Cardinal Home Products of Cleveland, Ohio undated.

(List continued on next page.)

*Primary Examiner*—Doris V. Coles

*Assistant Examiner*—Mimosa De

(74) *Attorney, Agent, or Firm*—Jenkins & Gilchrist

(57) **CLAIM**

The ornamental design for combined glider chairs with table, as shown and described.

**DESCRIPTION**

FIG. 1 is a front perspective view of combined glider chairs with table showing our new design;

FIG. 2 is a top plan view;

FIG. 3 is a bottom plan view;

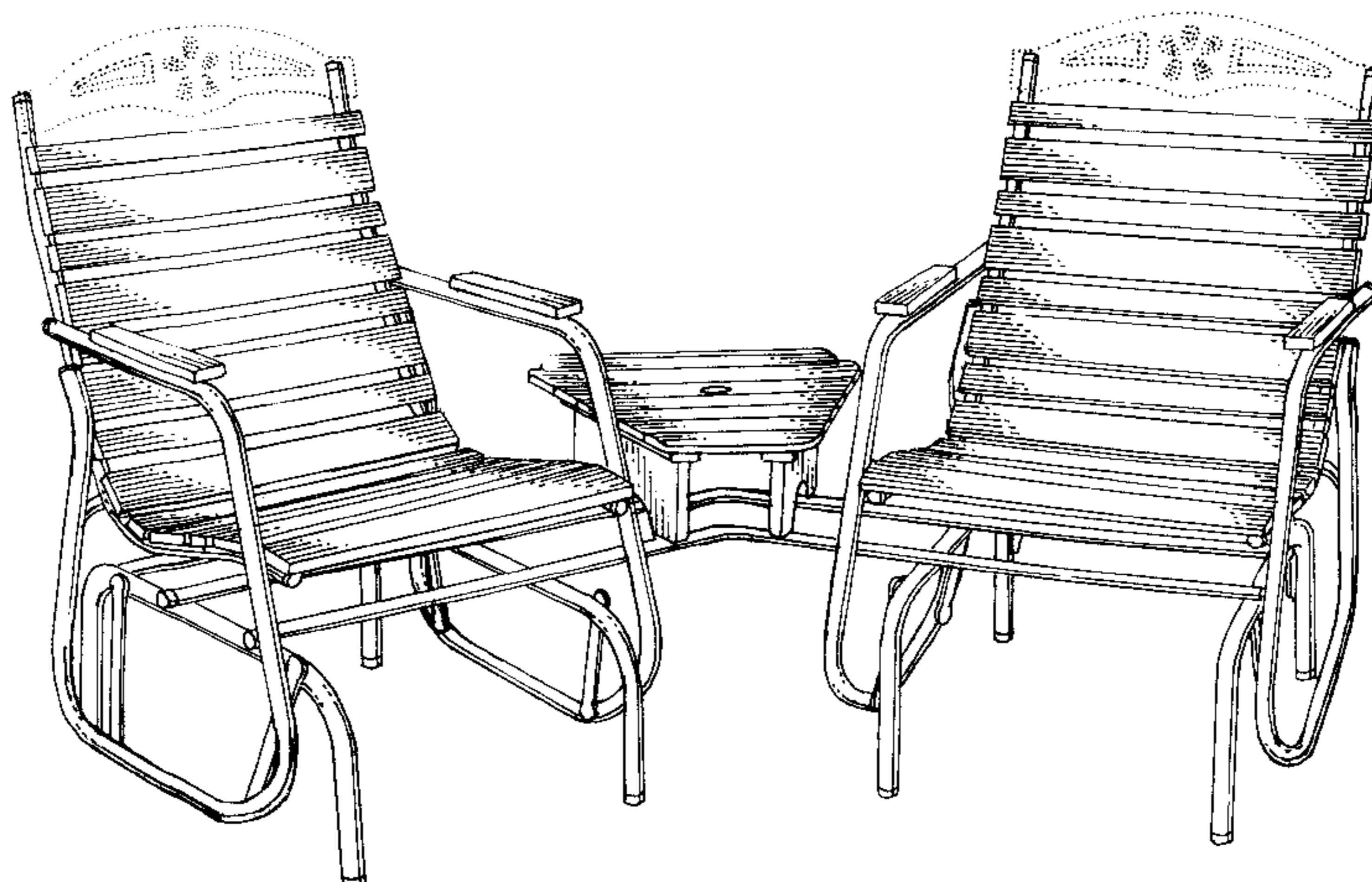
FIG. 4 is a front elevational view;

FIG. 5 is a rear elevational view; and,

FIG. 6 is an end view, the opposite end being a mirror image thereof.

The broken-line showing of the top portion of the glider chairs is for illustrative purposes only and forms no part of the claimed design.

**1 Claim, 6 Drawing Sheets**



U.S. PATENT DOCUMENTS

D. 121,462	7/1940	Tabb .	
D. 135,777 *	6/1943	Smith .....	D6/347
D. 141,705	6/1945	Slaughter .	
D. 149,900	6/1948	Mock .	
D. 153,162	3/1949	Nelems .	
D. 154,356	7/1949	Allmand .	
D. 165,835	2/1952	Glass .	
D. 256,744	9/1980	Mark .	
D. 257,653	12/1980	Berlic .	
D. 259,308	5/1981	Sroub .	
D. 263,908	4/1982	Imber .	
D. 265,952 *	8/1982	Theodore .....	D6/336
D. 281,376	11/1985	Gregory, III .	
D. 281,378	11/1985	Parker .	
D. 290,911	7/1987	Pomeroy et al. .	
D. 296,272	6/1988	Colby .	
D. 298,490	11/1988	Pomeroy et al. .	
D. 306,530	3/1990	Vanderminden .	
D. 307,361	4/1990	Pomeroy et al. .	
D. 307,362	4/1990	Pomeroy et al. .	
D. 307,363	4/1990	Pomeroy et al. .	
D. 307,523	5/1990	Pomeroy et al. .	
D. 310,604	9/1990	Pomeroy et al. .	
D. 325,823	5/1992	Pomeroy et al. .	
D. 327,584	7/1992	Braxton, III .	
D. 328,197	7/1992	Braxton, III .	
D. 334,485	4/1993	Pomeroy et al. .	
D. 338,563	8/1993	Chiang .	
D. 341,037	11/1993	Pomeroy et al. .	
D. 349,818	8/1994	Noll .	
D. 350,855	9/1994	Pomeroy et al. .	
D. 361,673	8/1995	Pomeroy et al. .	
D. 362,349	9/1995	Pomeroy et al. .	
D. 365,692	1/1996	Pomeroy et al. .	
D. 400,720 *	11/1998	Pomeroy et al. ....	D6/344
D. 417,559 *	12/1999	Pomeroy et al. ....	D6/344
D. 430,743 *	9/2000	Pomeroy et al. ....	D6/336
D. 432,323	10/2000	Pomeroy et al. .	
2,567,612	9/1951	McGehee .	
3,078,101	2/1963	Reese .	
4,919,480	4/1990	Drew, III .	
5,667,273	9/1997	Noll .	

OTHER PUBLICATIONS

Leaflet: Grand Isle LGL-60TV 6' Glider and LGL-60V 6' Glider; Cardinal Home Products of Cleveland, Ohio undated.

Leaflet: Mountaineer Outdoor Furniture; Iron Mountain Forge; date Mar. 9, 1986.

Leaflet: Sunstar Double Glider undated.

Leaflet: Sunstar Single Glider undated.

Catalog: Lauan Mahogany Furniture; Cardinal American of Bedford Hts., Ohio; 1985 undated.

Assembly Instructions for Your New Glider; C&H Houston, Inc. of Houston, Texas undated.

Leaflet: 801106 5 ft. Glider; Flanders Industries, Inc. of Fort Smith, Arkansas undated.

Leaflet: Glider; Oakwood Manufacturing Inc. of Oxford, Michigan undated.

Leaflet: Glider; Iron Mountain Forge of Farmington, Missouri undated.

Leaflet: Product of American Handcrafted Indoor Outdoor Furniture; Ozard Wood Products, Inc. of Chicago, Illinois undated.

Leaflet: Product of American Handcrafted Indoor Outdoor Furniture; Ozard Wood Products, Inc. of Chicago, Illinois undated.

Leaflet: Glider; Behlen Mfg. Co. of Columbus, Nebraska undated.

Leaflet: Chair Gliders; Behlen Mfg. Co. of Columbus, Nebraska undated.

1990 Jack-Post Catalog: Outdoor Furniture/Outdoor Products.

1993 Jack Post Catalog: Outdoor Furniture/Outdoor Products/Building Products.

1994 Jack Post Catalog: Thirtieth Anniversary.

1995 Jack Post Catalog: Outdoor Furniture/Outdoor Products/Building Products.

Flanders Industries, Inc. Royal Park Outdoor Furniture Glider from late 1980's.

2000 Jack-Post Furniture Products Catalog pp. 2, 3, 4, 6 undated.

Leaflet: Holiday Club™ Patio Furniture Kits undated.

\* cited by examiner

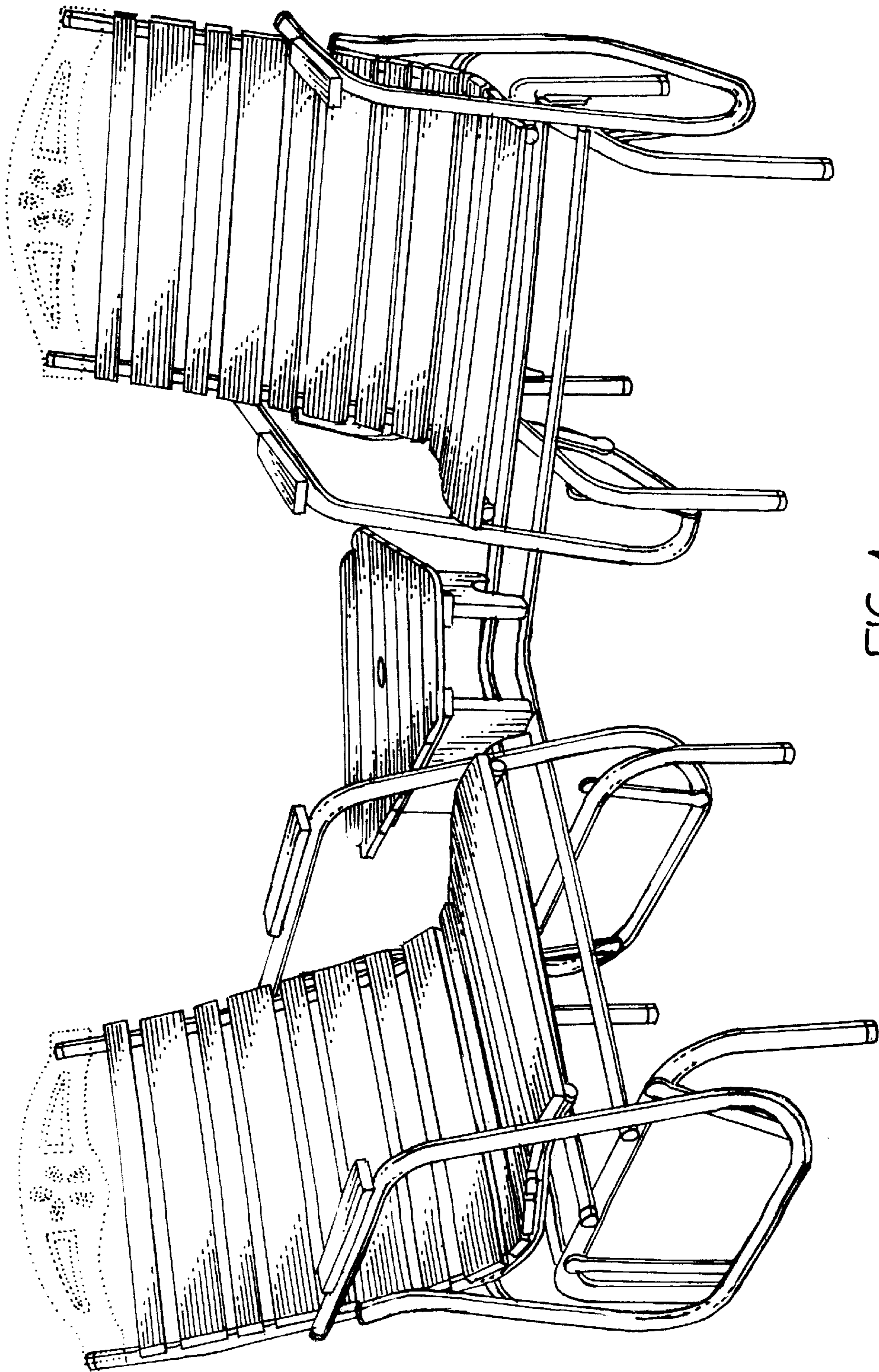


FIG. 1

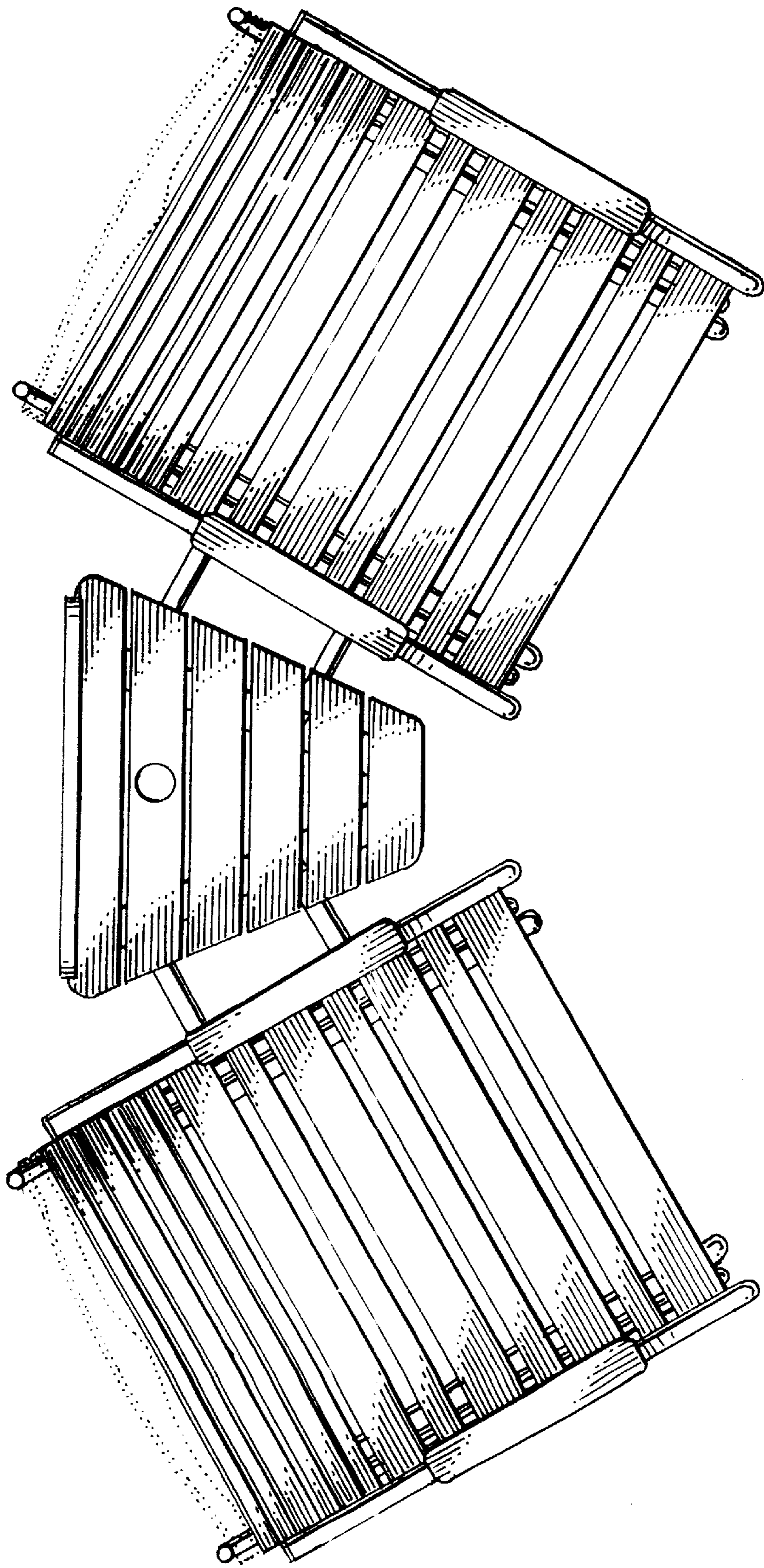


FIG. 2

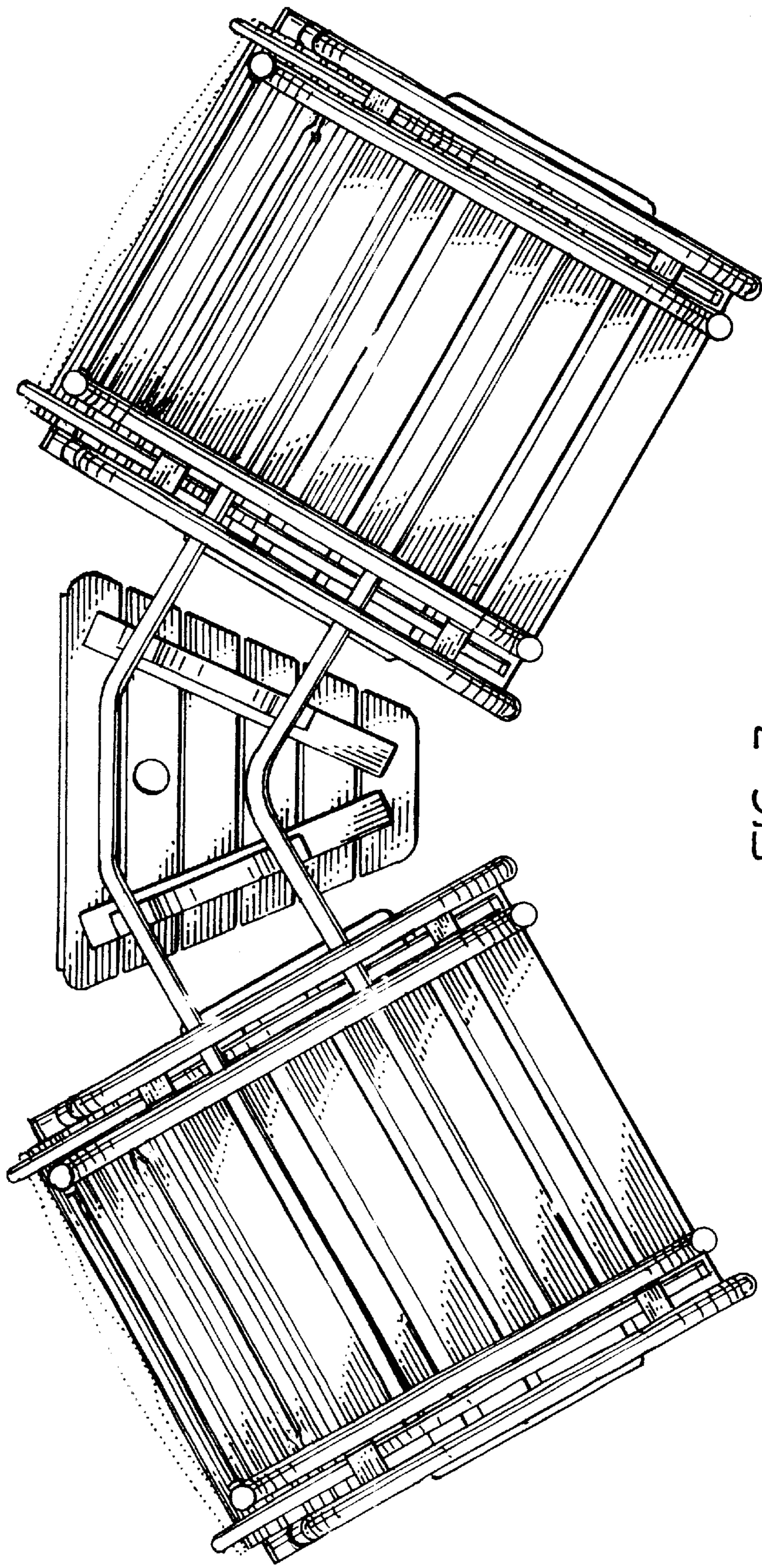


FIG. 3

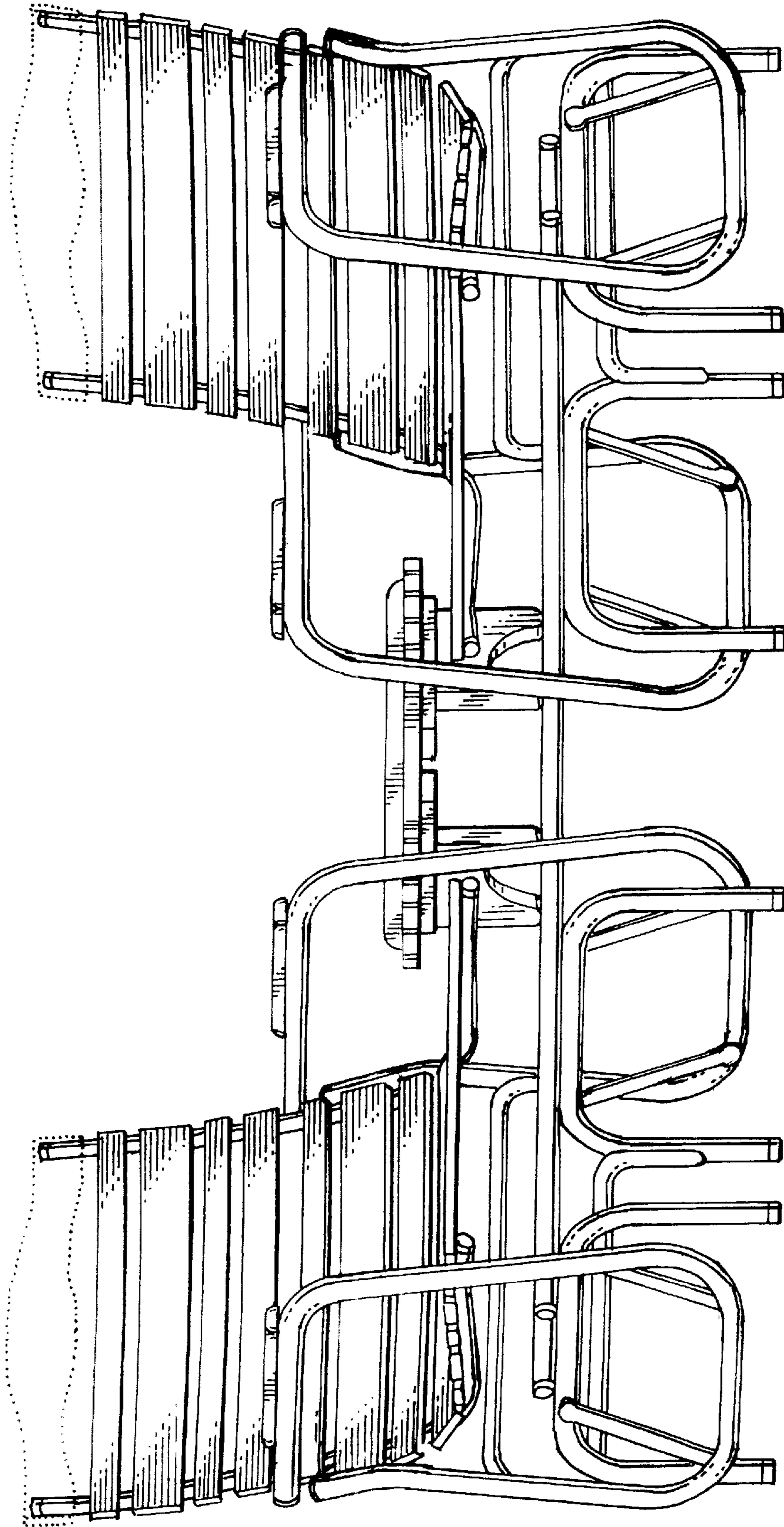


FIG. 4

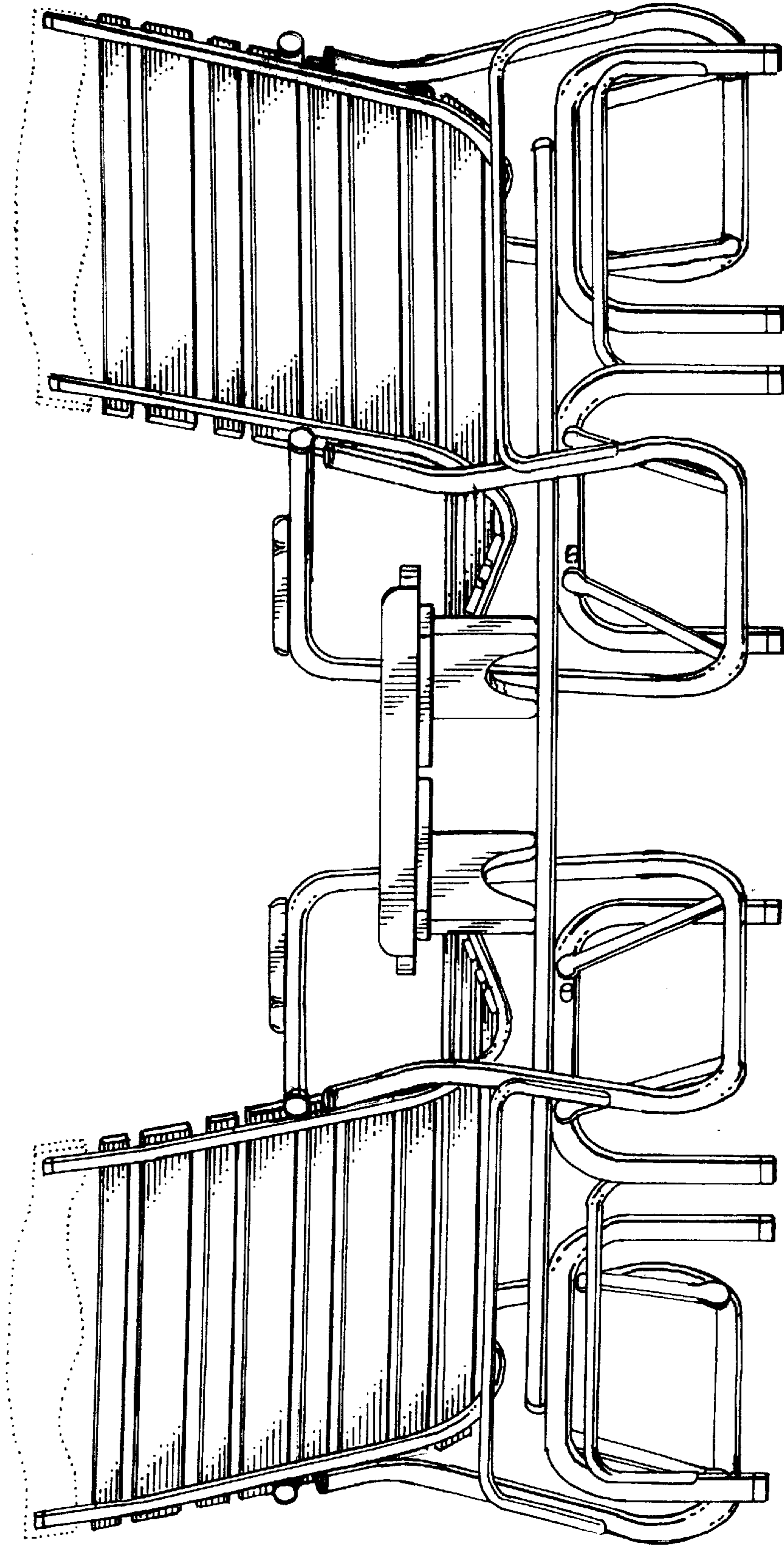


FIG. 5

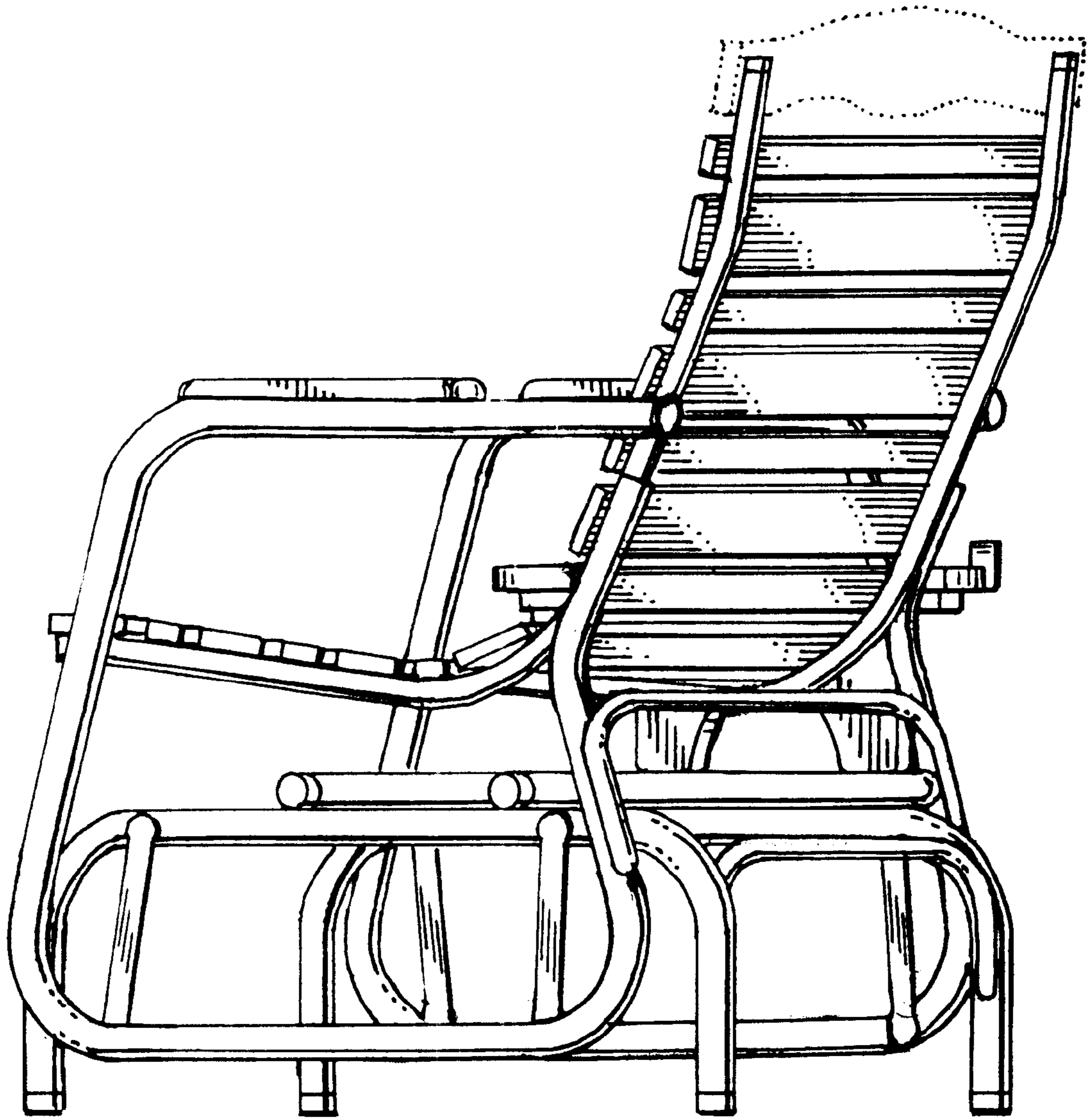


FIG. 6