



US00D443416S

(12) **United States Design Patent**
Snider

(10) **Patent No.:** **US D443,416 S**

(45) **Date of Patent:** **** Jun. 12, 2001**

(54) **SAW BLADE CONTAINER**

(75) Inventor: **Gregory S. Snider**, Bel Air, MD (US)

(73) Assignee: **Black & Decker Inc.**, Newark, DE (US)

(**) Term: **14 Years**

(21) Appl. No.: **29/112,066**

(22) Filed: **Oct. 8, 1999**

(51) **LOC (7) Cl.** **03-01**

(52) **U.S. Cl.** **D3/276; D3/290; D3/905**

(58) **Field of Search** **D3/273, 276, 283, D3/284, 285, 290, 300, 905; 190/100, 109; 206/349, 372, 373; 224/249**

(56) **References Cited**

U.S. PATENT DOCUMENTS

D. 278,857	*	5/1985	Katz et al.	D3/290
D. 329,330	*	9/1992	Pardo	D3/290
D. 347,521	*	6/1994	Elliot	D3/905
D. 402,810	*	12/1998	Alves	D3/289
D. 416,681	*	11/1999	Imbert	D3/290
3,870,148	*	3/1975	Hite	206/372
4,921,153	*	5/1990	Smith	224/249
5,078,266	*	1/1992	Rackley	206/349

* cited by examiner

Primary Examiner—Philip S. Hyder

(74) *Attorney, Agent, or Firm*—Harness, Dickey & Pierce, P.L.C.

(57) **CLAIM**

The ornamental design for a saw blade container, as shown and described.

DESCRIPTION

FIG. 1 is a front exterior perspective view of a saw blade container, in accordance with the ornamental design, illustrated in its closed configuration;

FIG. 2 is a top view thereof;

FIG. 3 is a front view thereof showing a saw blade in phantom contained in the article carrier;

FIG. 4 is a bottom view thereof;

FIG. 5 is a first side view thereof;

FIG. 6 is a rear view thereof;

FIG. 7 is a second side view thereof;

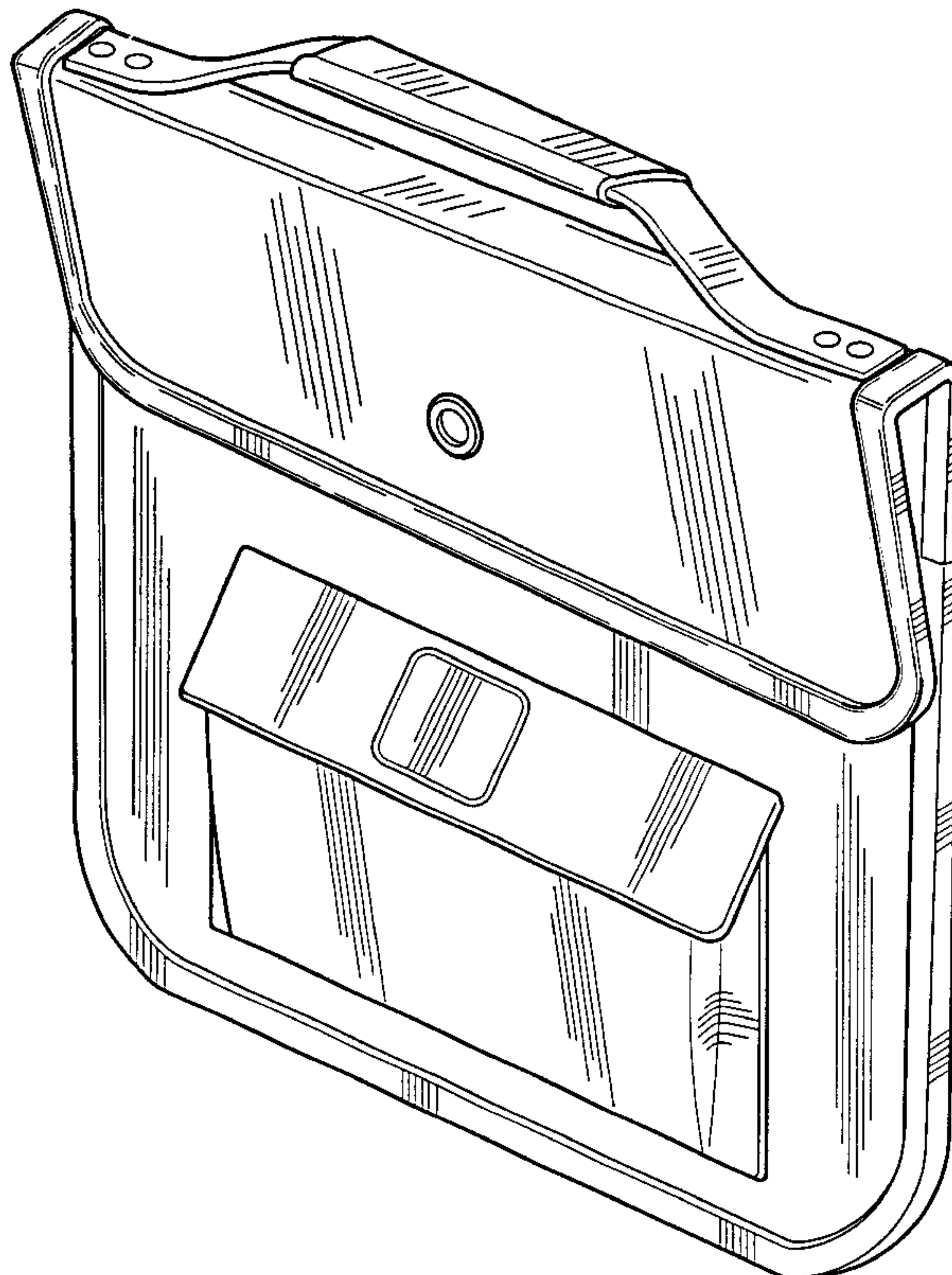
FIG. 8 is a front perspective view similar to that of FIG. 1, but with the saw blade container illustrated in its open configuration; and,

FIG. 9 is a front exterior perspective view of an alternate embodiment of a saw blade container, in accordance with the ornamental design, illustrated in its closed configuration.

The broken line showing of the saw blade is for illustrative purposes only and forms no part of the claimed design.

The rear of the alternate embodiment of the saw blade container, is identical to FIG. 6.

1 Claim, 6 Drawing Sheets



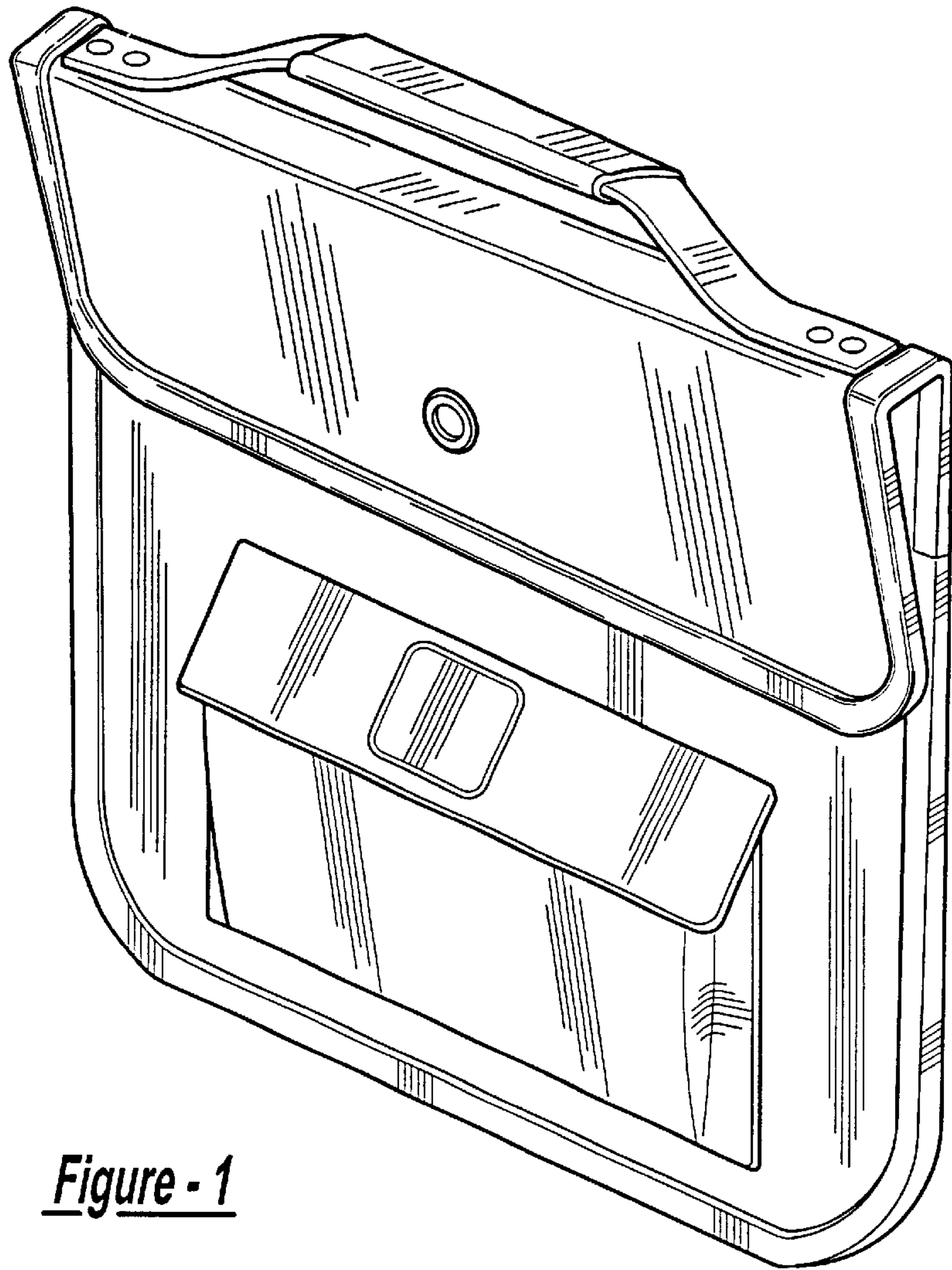


Figure - 1

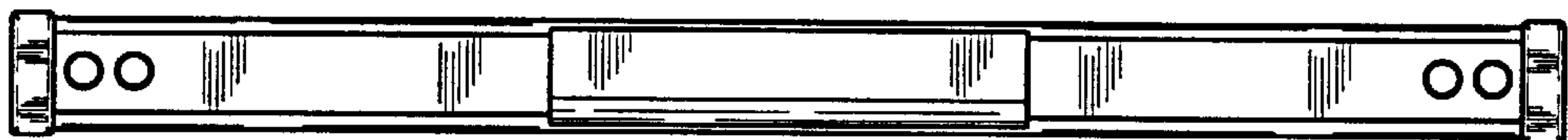


Figure - 2

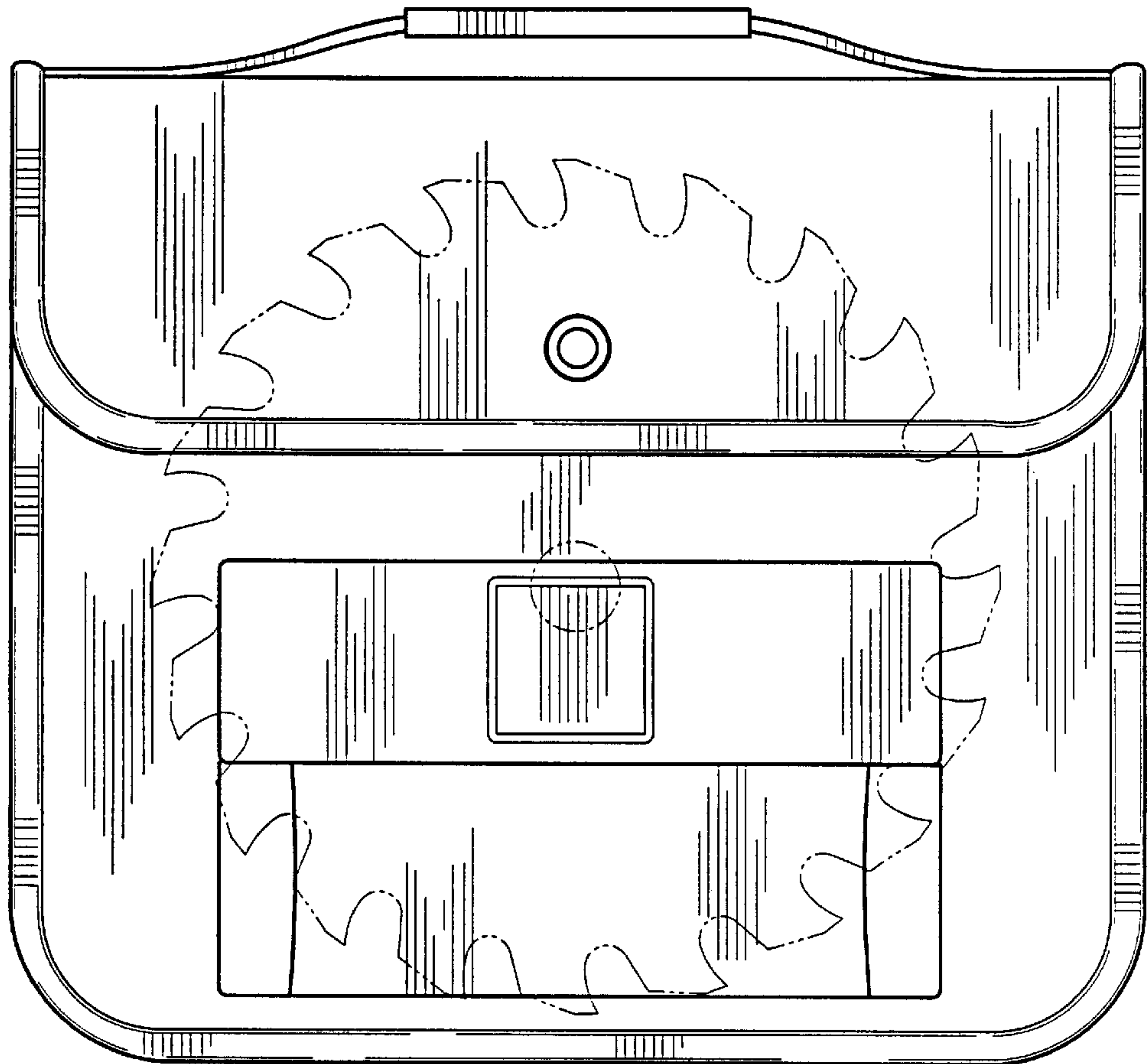


Figure - 3

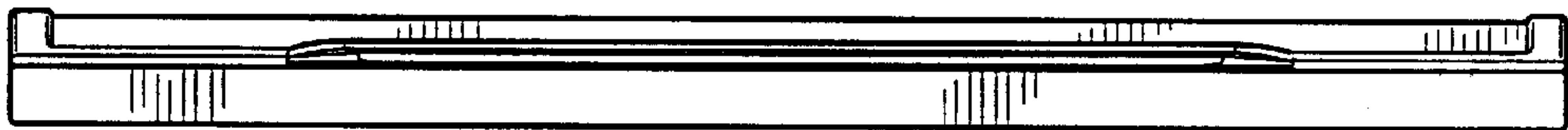


Figure - 4

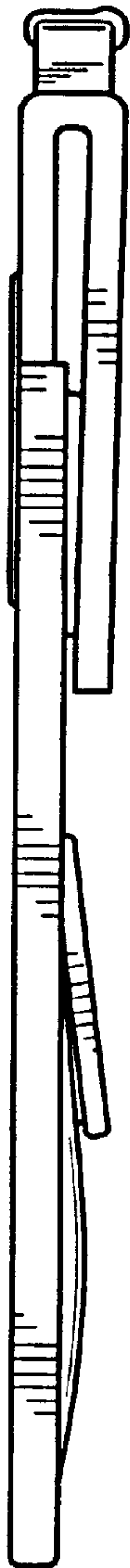


Figure - 5

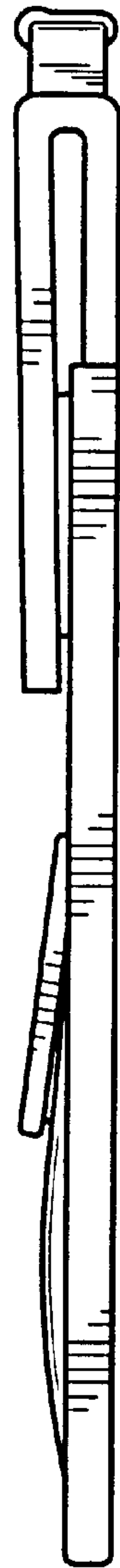


Figure - 7

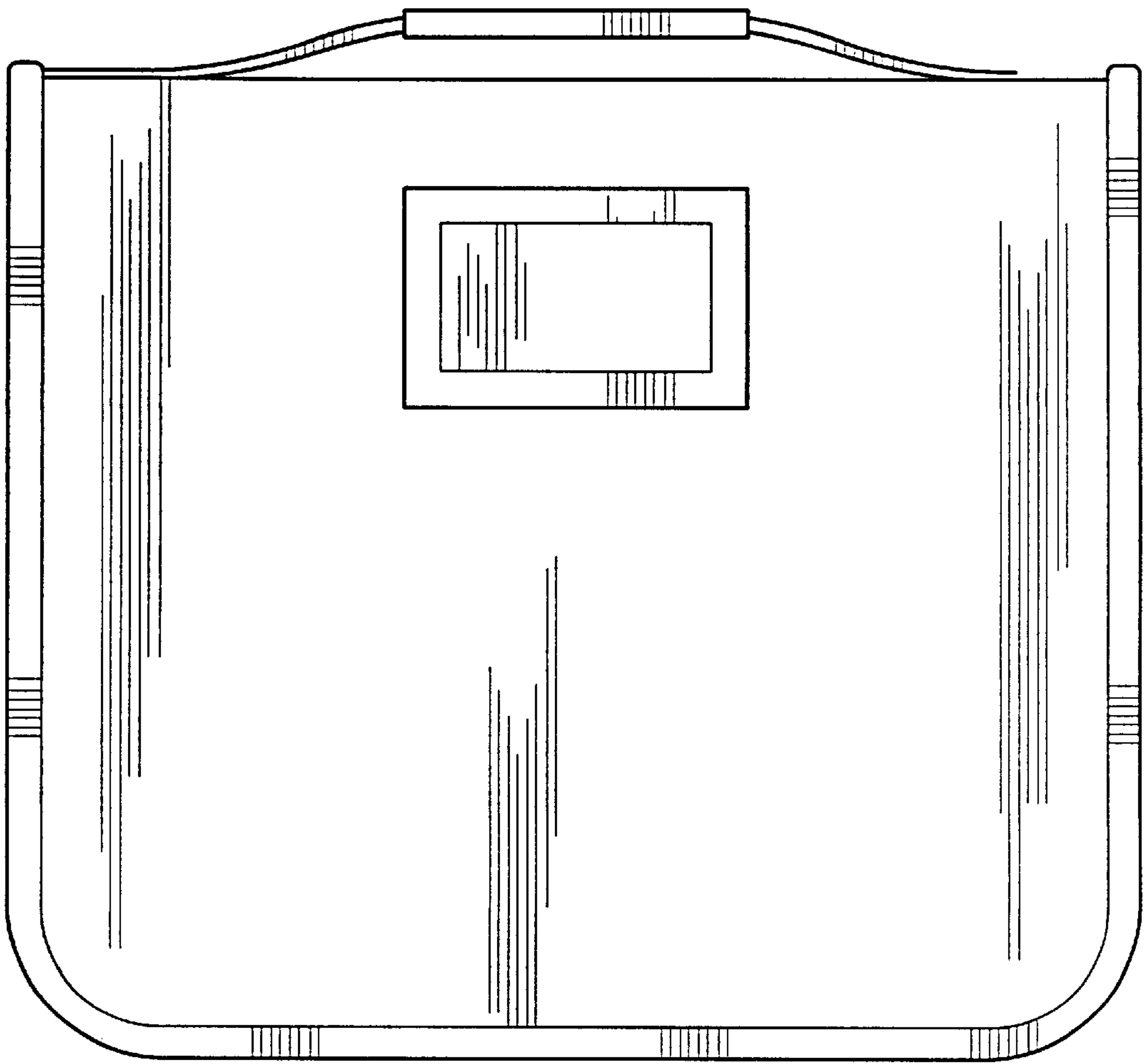


Figure - 6

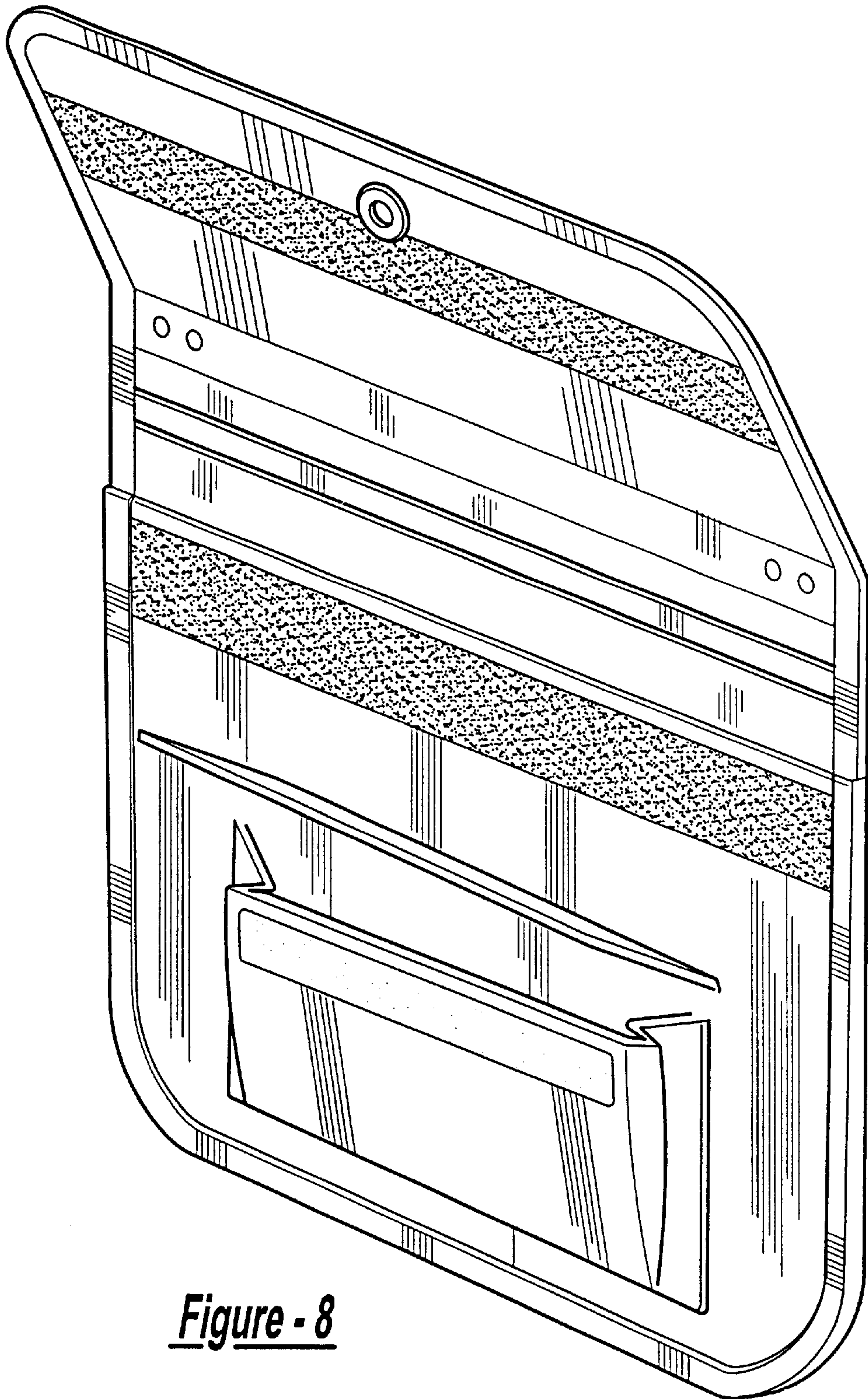


Figure - 8

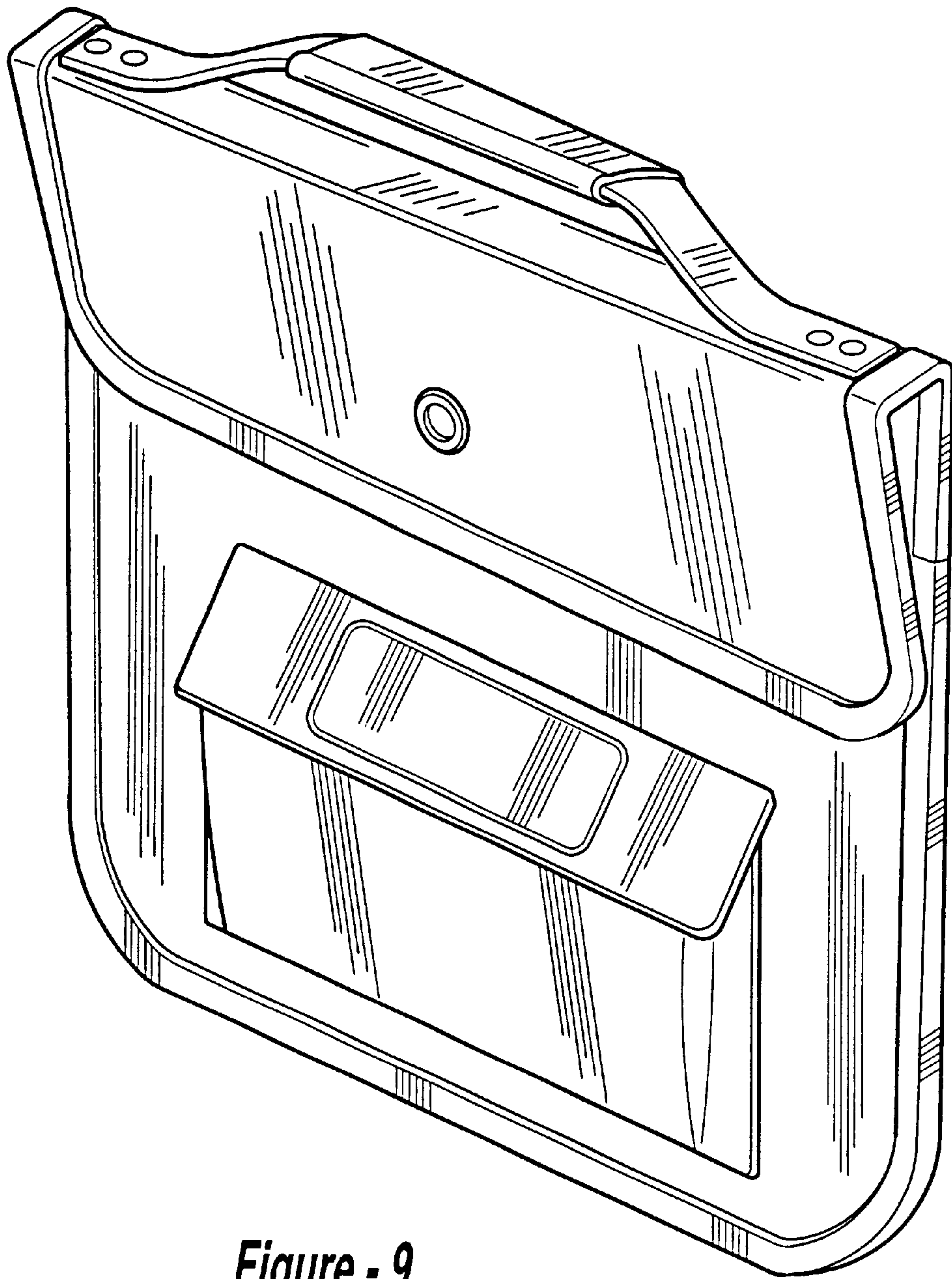


Figure - 9