



US00D443409S

(12) **United States Design Patent**
Pilz et al.

(10) **Patent No.:** **US D443,409 S**

(45) **Date of Patent:** **** Jun. 12, 2001**

(54) **COLLAPSIBLE SUN PROTECTION DEVICE**

4,836,232 * 6/1989 DeRosa et al. 135/99

(75) Inventors: **Helmut Pilz**, Grünkraut; **Franz Kordeuter**, Ravensburg, both of (DE)

* cited by examiner

(73) Assignee: **Holly Produkte Vertriebs-und Lizenz GmbH**, Grunkraut (DE)

Primary Examiner—Louis S. Zarfes

Assistant Examiner—Catherine R. Oliver

(**) Term: **14 Years**

(74) *Attorney, Agent, or Firm*—Morgan, Lewis & Bockius LLP

(21) Appl. No.: **29/122,841**

(22) Filed: **May 4, 2000**

(57) **CLAIM**

We claim the ornamental design for a collapsible sun protection device, as shown and described.

(30) **Foreign Application Priority Data**

DESCRIPTION

Nov. 17, 1999 (DE) 299 20 235

FIG. 1 shows a perspective top view of a collapsible sun protection device;

(51) **LOC (7) Cl.** **03-03**

FIG. 2 shows a side view of the collapsible sun protection device;

(52) **U.S. Cl.** **D3/5**

FIG. 3 shows a perspective view from below the canopy of the collapsible sun protection device;

(58) **Field of Search** D3/5, 6; 135/98, 135/99, 118, 147, 126, 908, 20.1; 248/539; 211/165

FIG. 4 shows a close-up view of the locking mechanism for the collapsible sun protection device;

(56) **References Cited**

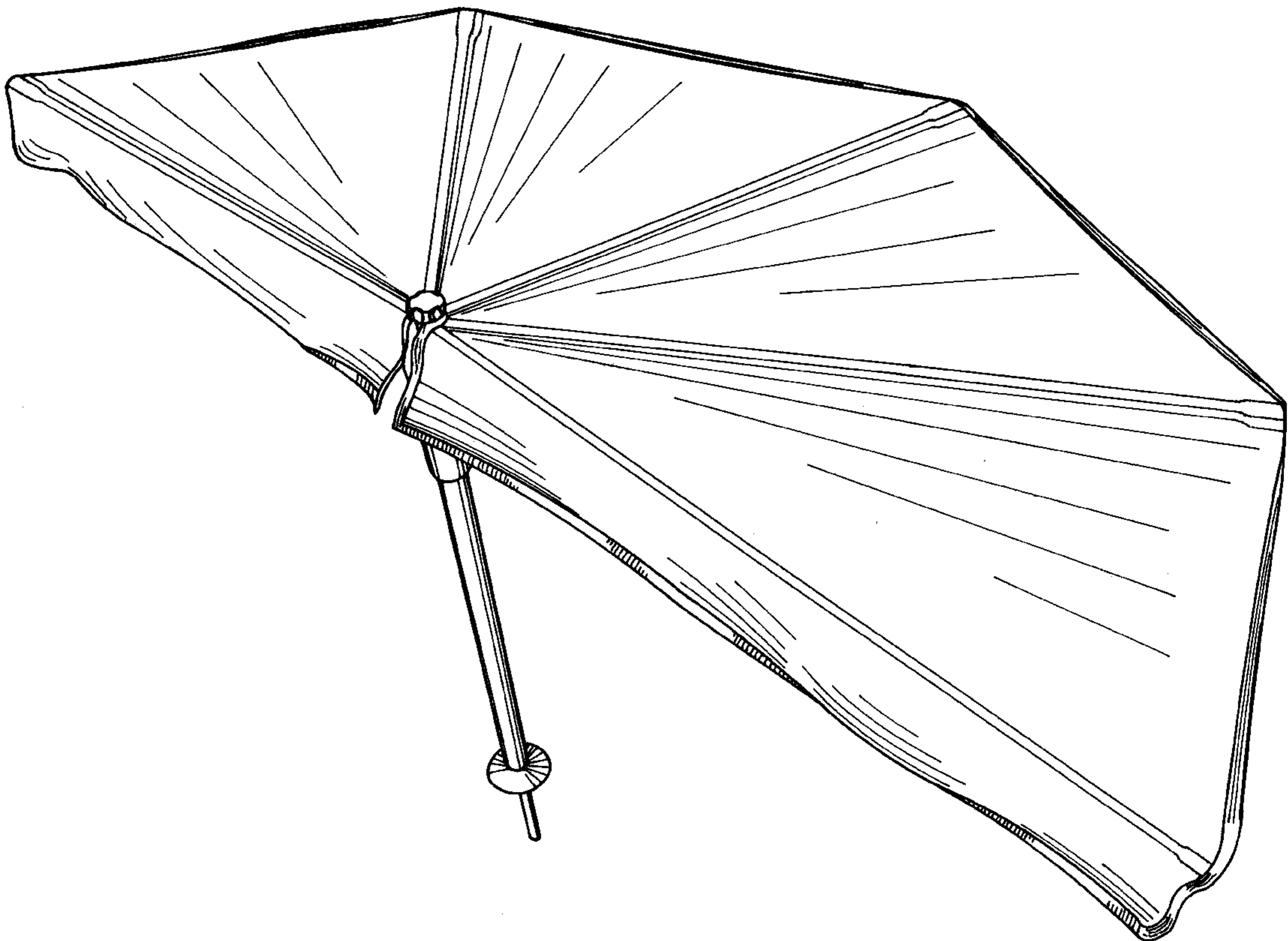
FIG. 5 shows a perspective view of a collapsible sun protection device, wherein the canopy is tilted at an angle of greater than 90° from the pole; and,

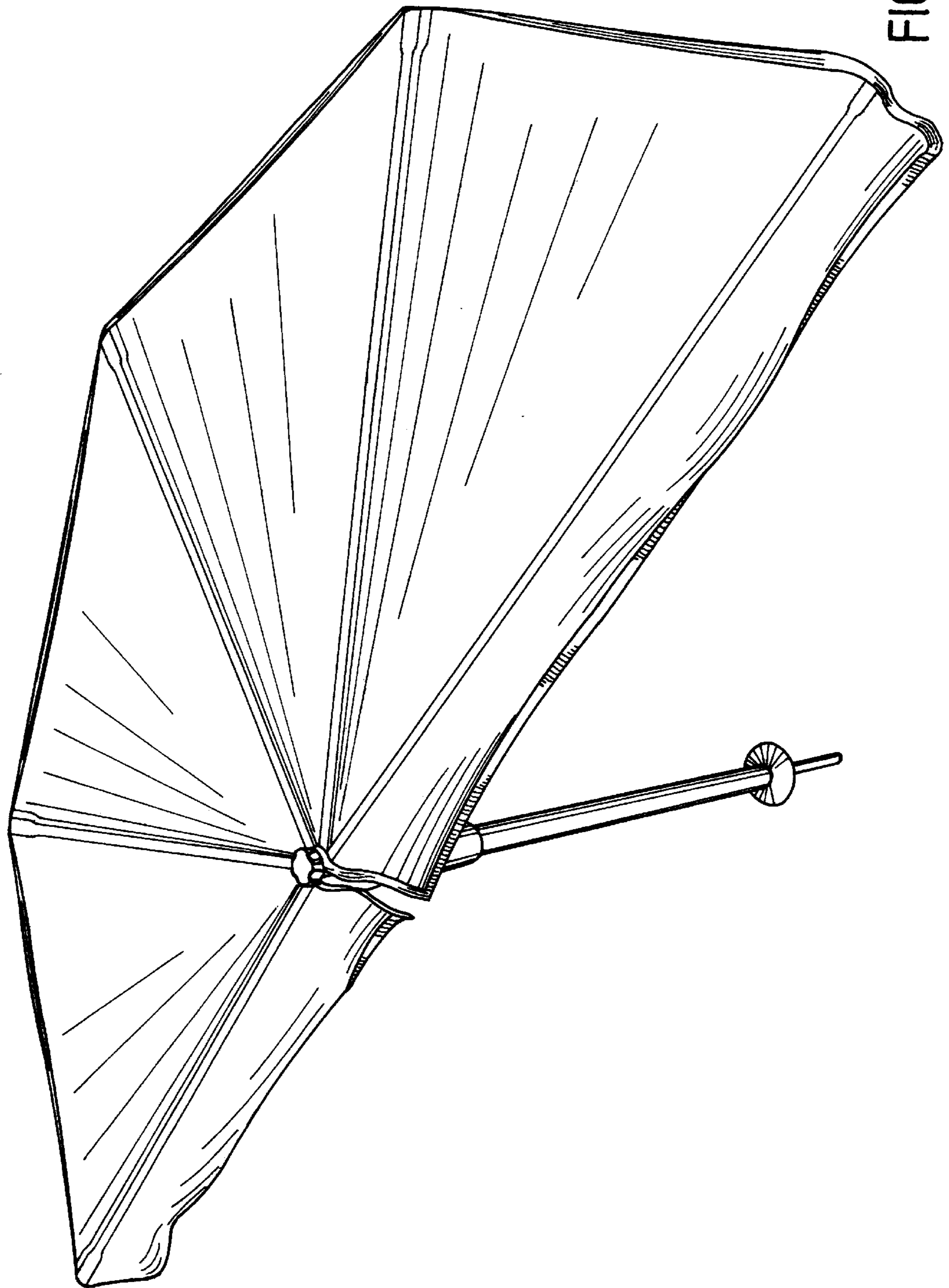
U.S. PATENT DOCUMENTS

- D. 363,597 * 10/1995 Byrne D3/5
- 1,126,293 * 1/1915 Ryder 135/20.1
- 4,566,475 * 1/1986 Wund 135/99
- 4,836,231 * 6/1989 Peterson 135/98

FIG. 6 shows the collapsible sun protection device in its closed position.

1 Claim, 6 Drawing Sheets





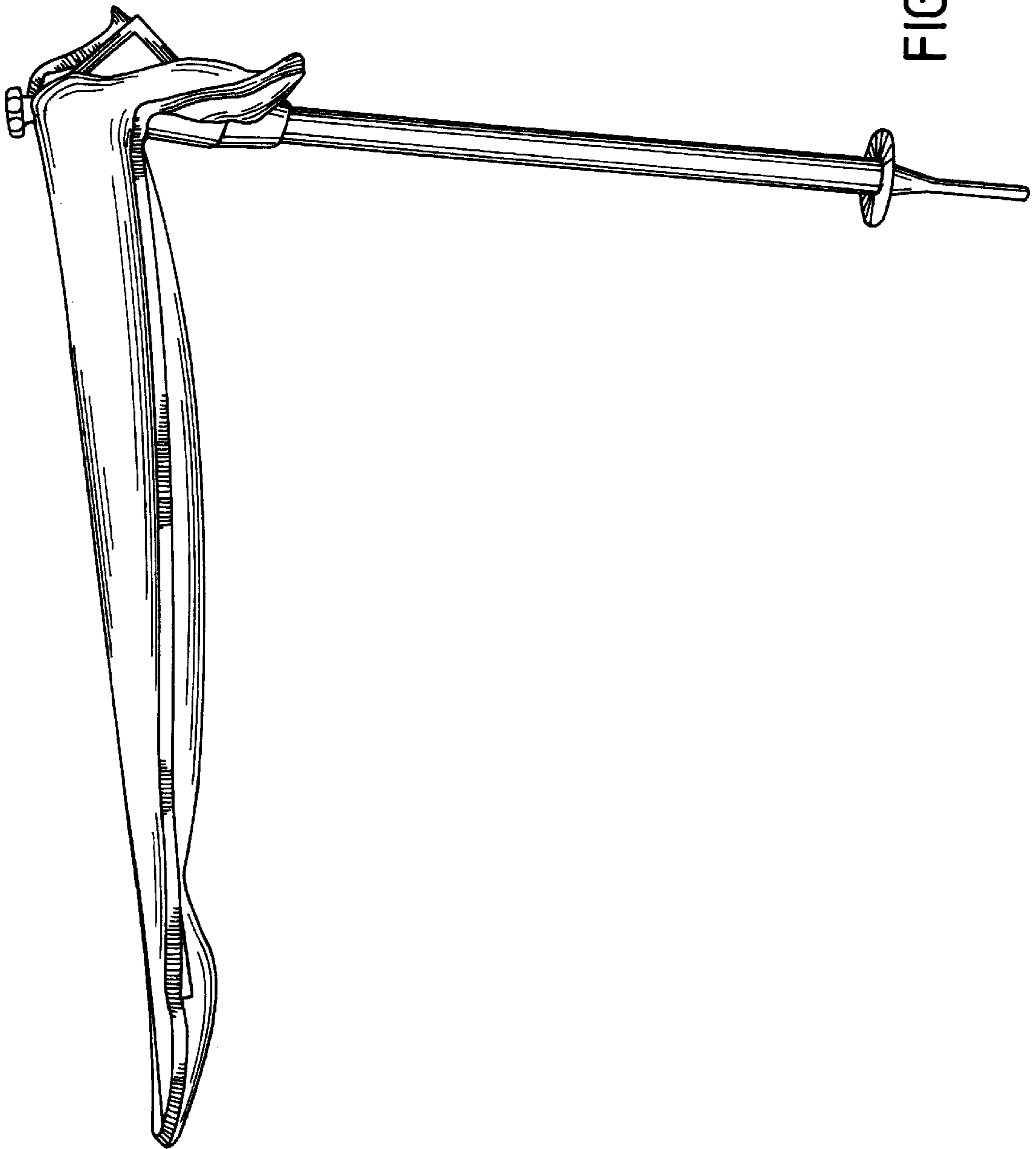


FIG. 2

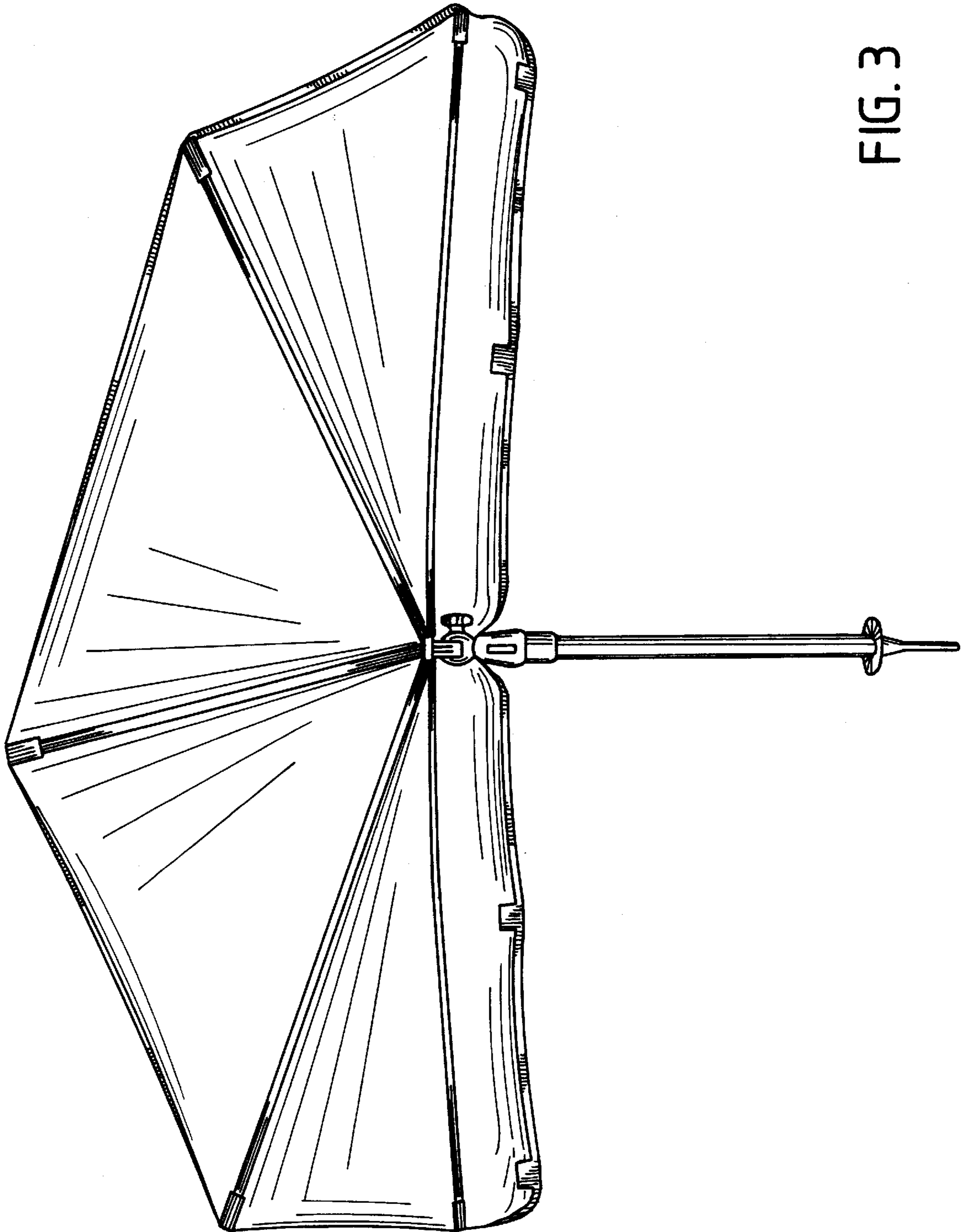


FIG. 3

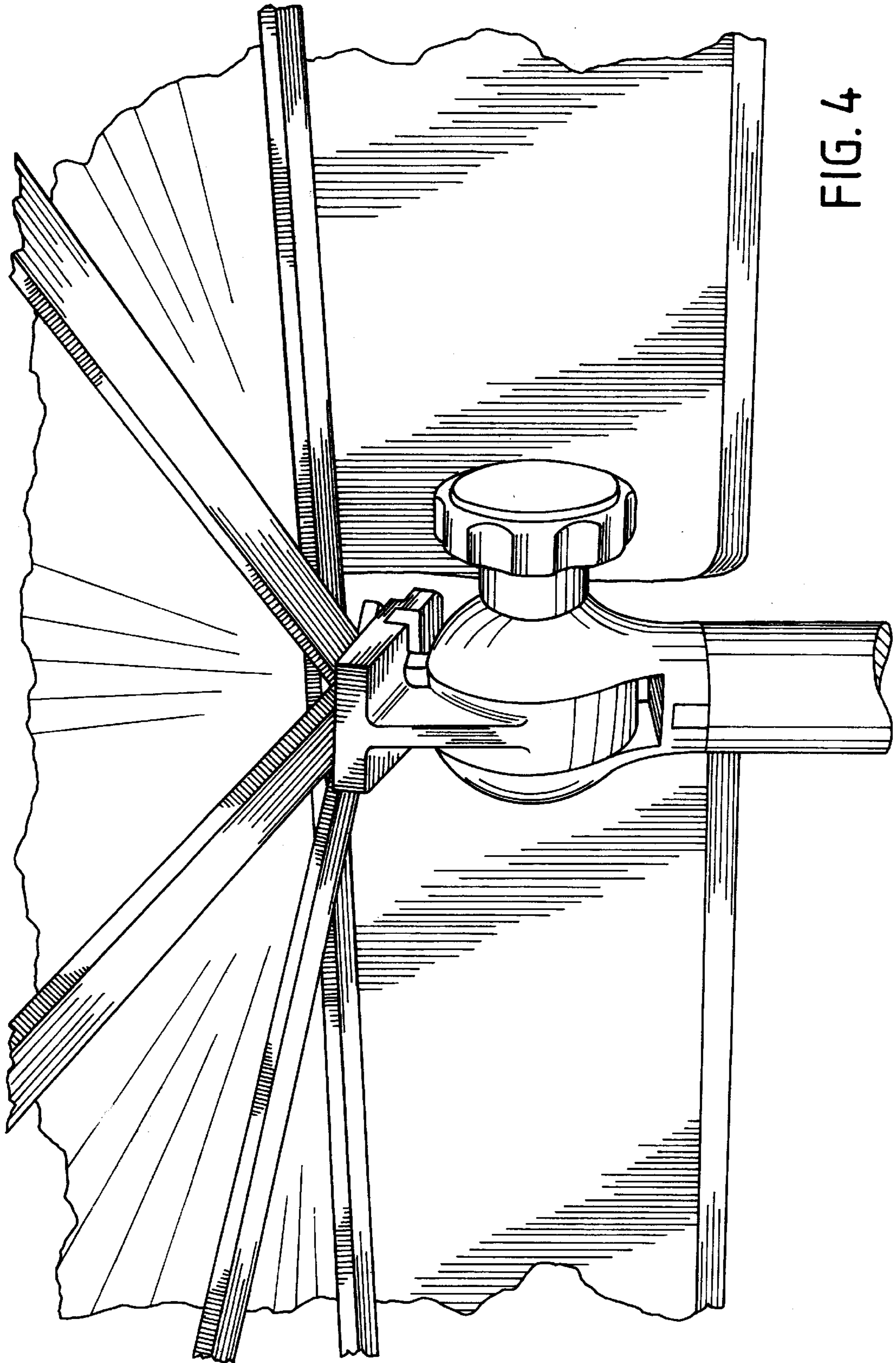


FIG. 4

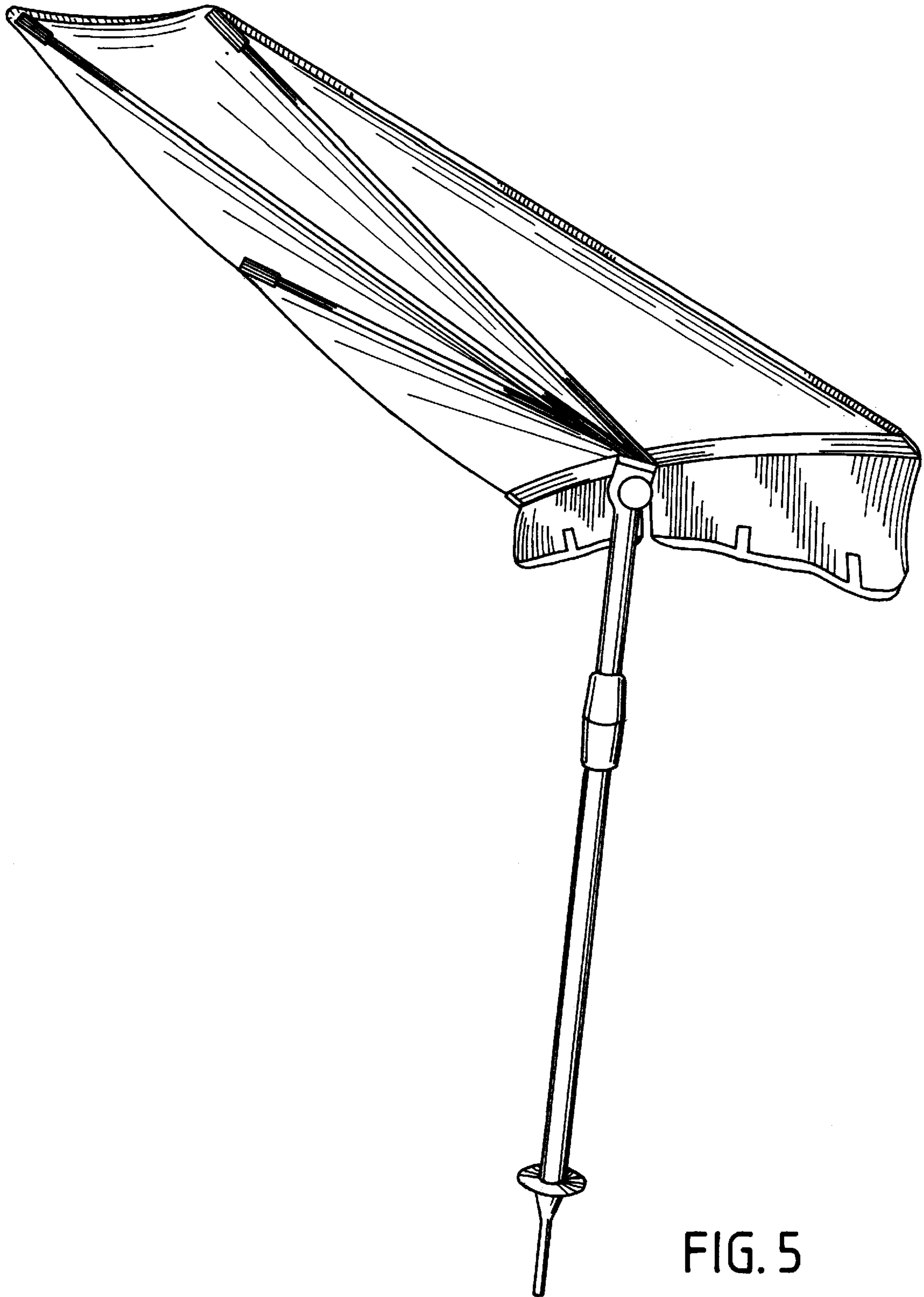


FIG. 5



FIG. 6