



US00D443404S

(12) **United States Design Patent**
Bramhan

(10) **Patent No.:** **US D443,404 S**

(45) **Date of Patent:** **** Jun. 12, 2001**

(54) **VANITY VEST**

4,797,953 * 1/1989 Dameron 2/104
4,924,528 * 5/1990 Trombetti-Dickens 2/104

(76) Inventor: **Catherine D. Bramhan**, P.O. Box
3328, Shelby, NC (US) 28151

* cited by examiner

(**) Term: **14 Years**

Primary Examiner—Celia Murphy
(74) *Attorney, Agent, or Firm*—Clifton T. Hunt

(21) Appl. No.: **29/121,861**

(57) **CLAIM**

(22) Filed: **Apr. 17, 2000**

The ornamental design of a vanity vest, as described and shown in the drawings.

(51) **LOC (7) Cl.** **02-02**

DESCRIPTION

(52) **U.S. Cl.** **D2/864; D2/728; D2/829;**
D2/860; D2/861

(58) **Field of Search** D2/500, 705, 706,
D2/711, 717, 720, 728, 734, 739, 742,
746, 777, 826, 856, 860, 861, 862, 863,
864, 983; D24/124, 125, 199; 2/46, 47,
48, 53, 56, 49.1, 49.2, 49.3, 50, 51, 55,
69, 69.5, 104, 105, 88, 113; 248/102

FIG. 1 is a perspective view of a vanity vest showing my new design in the position of use. The broken lines partially showing a mother and infant in FIGS. 1 and 8 being for illustrative purposes, and not forming any part of the claimed design;

(56) **References Cited**

U.S. PATENT DOCUMENTS

D. 303,995	*	10/1989	Dameron	D2/728
D. 309,522	*	7/1990	Merritt	D2/861
D. 359,838	*	7/1995	Laseinde	D2/864
621,761	*	3/1899	Allen	2/113
704,206	*	7/1902	Newlin	2/49.2
1,887,028	*	11/1932	Lemke et al.	2/50
2,760,200	*	8/1956	Shamyer, Jr.	2/49.2
2,835,895	*	5/1958	Wells	2/49.1
3,154,789	*	11/1964	Lewis, Jr.	2/104
3,286,279	*	11/1966	Brown	2/49.2
4,601,068	*	7/1986	Frechette	2/104
4,663,779	*	5/1987	Bible	2/49.3

FIG. 2 is a top plan view thereof;

FIG. 3 is a left side elevational view thereof;

FIG. 4 is a front elevational view thereof;

FIG. 5 is a right side elevational view thereof;

FIG. 6 is a bottom plan view thereof;

FIG. 7 is a rear elevational view thereof;

FIG. 8 is a perspective view of an alternate embodiment of the design shown in FIG. 1;

FIG. 9 is a top plan view of FIG. 8;

FIG. 10 is a left side elevational view of FIG. 8;

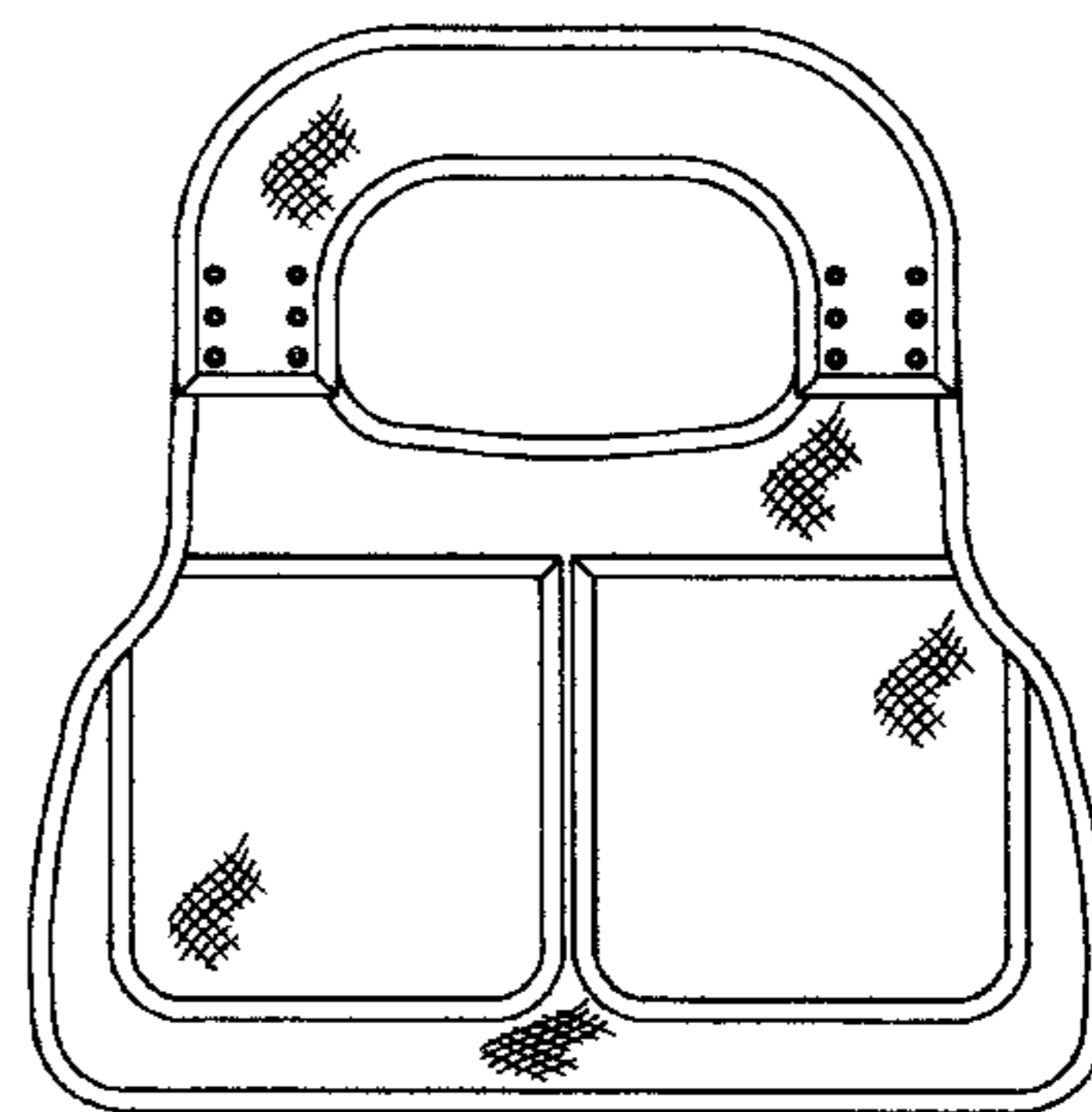
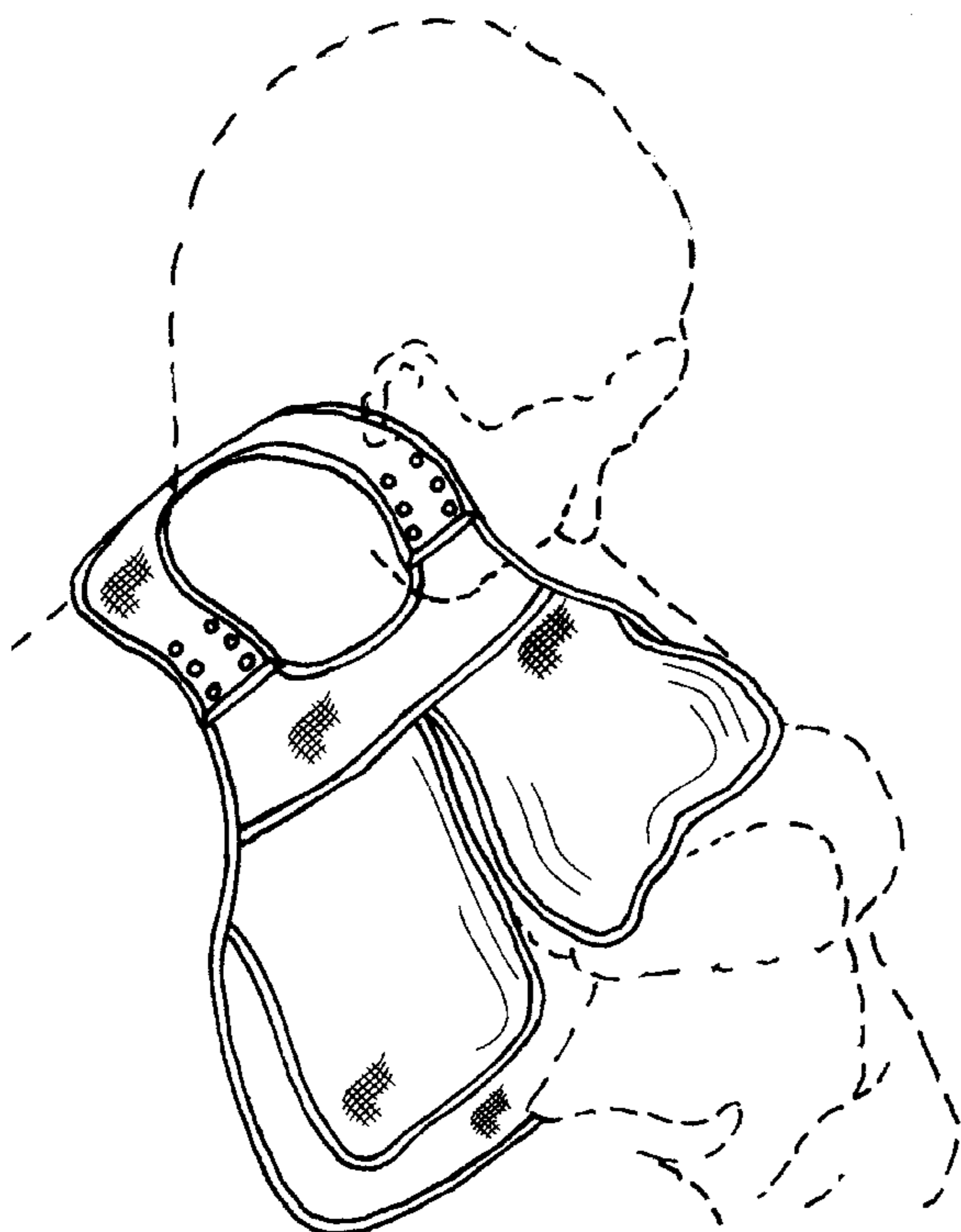
FIG. 11 is a front elevational view of FIG. 8;

FIG. 12 is a right side elevational view of FIG. 8;

FIG. 13 is a bottom plan view of FIG. 8; and,

FIG. 14 is a rear elevational view of FIG. 8.

1 Claim, 4 Drawing Sheets



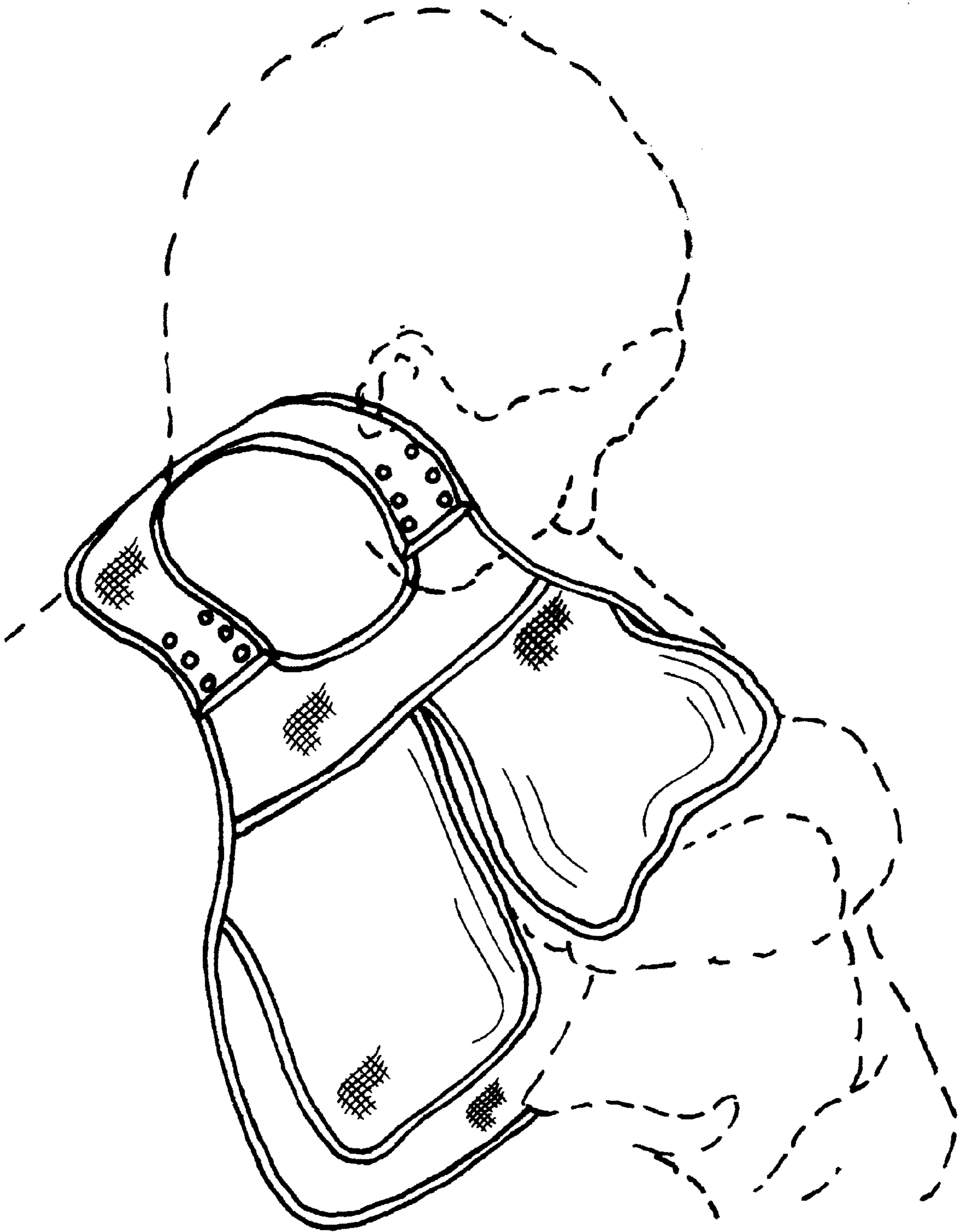


Fig. 1

Fig. 2

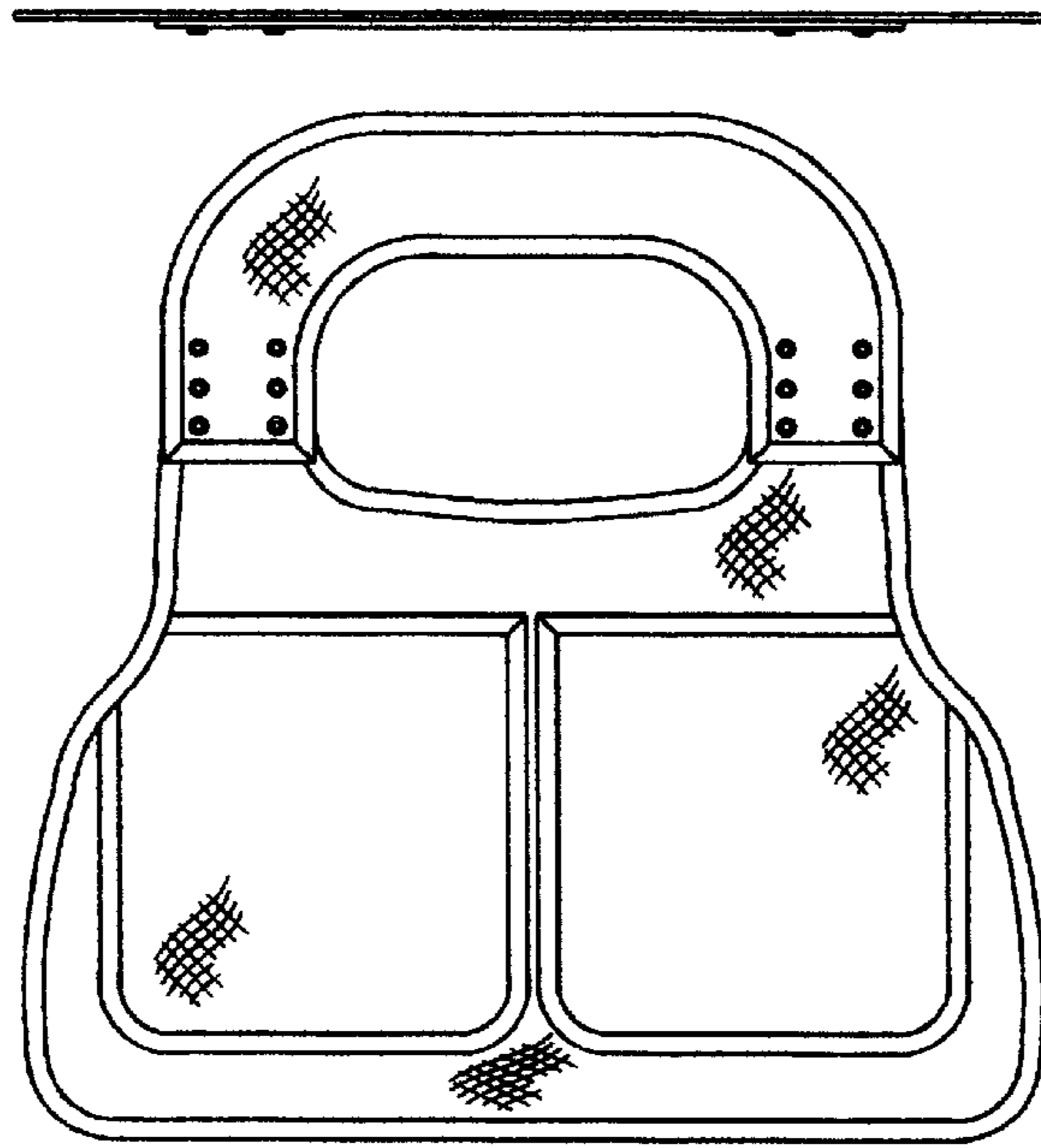


Fig. 3



Fig. 4



Fig. 5



Fig. 6

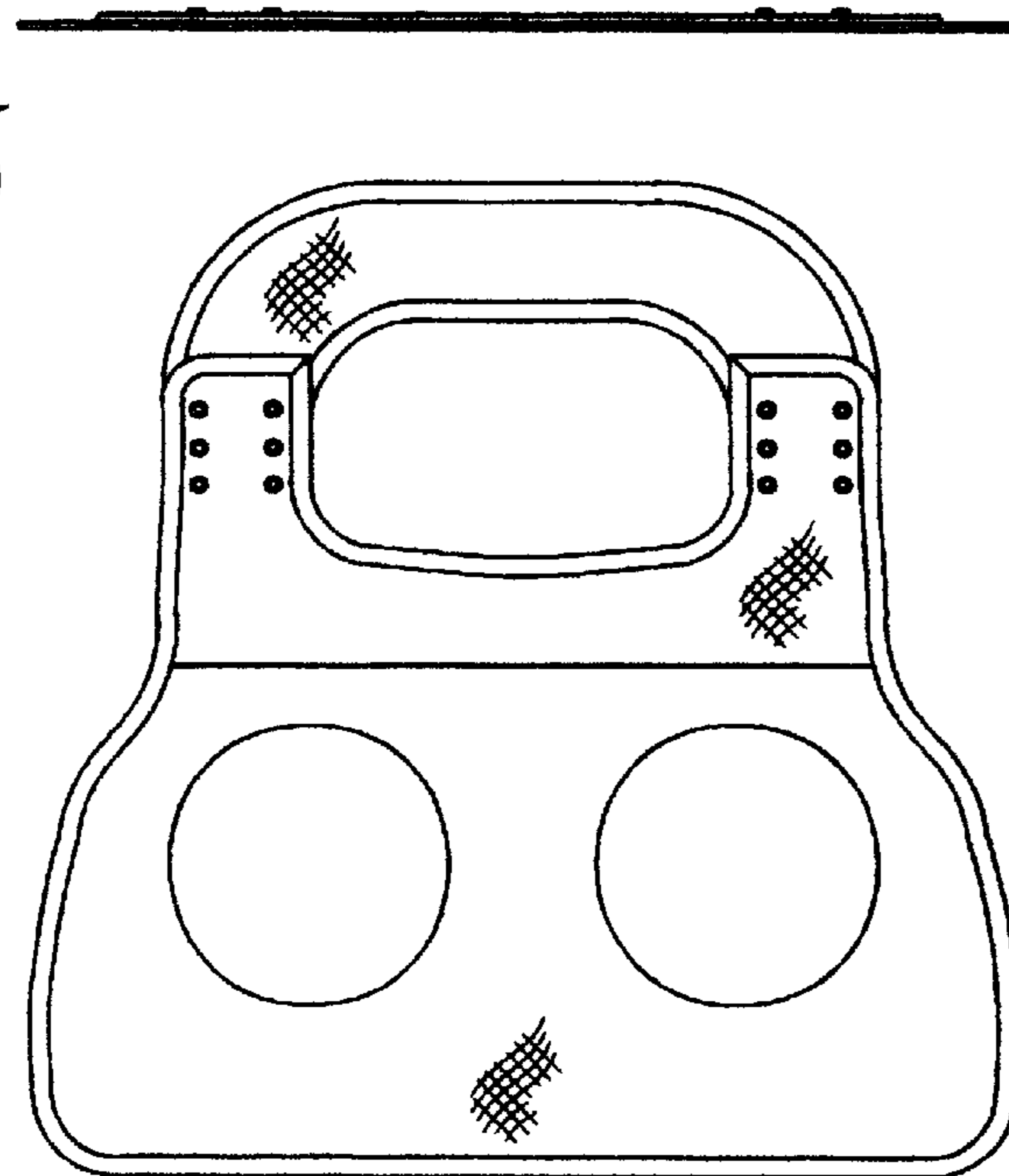


Fig. 7

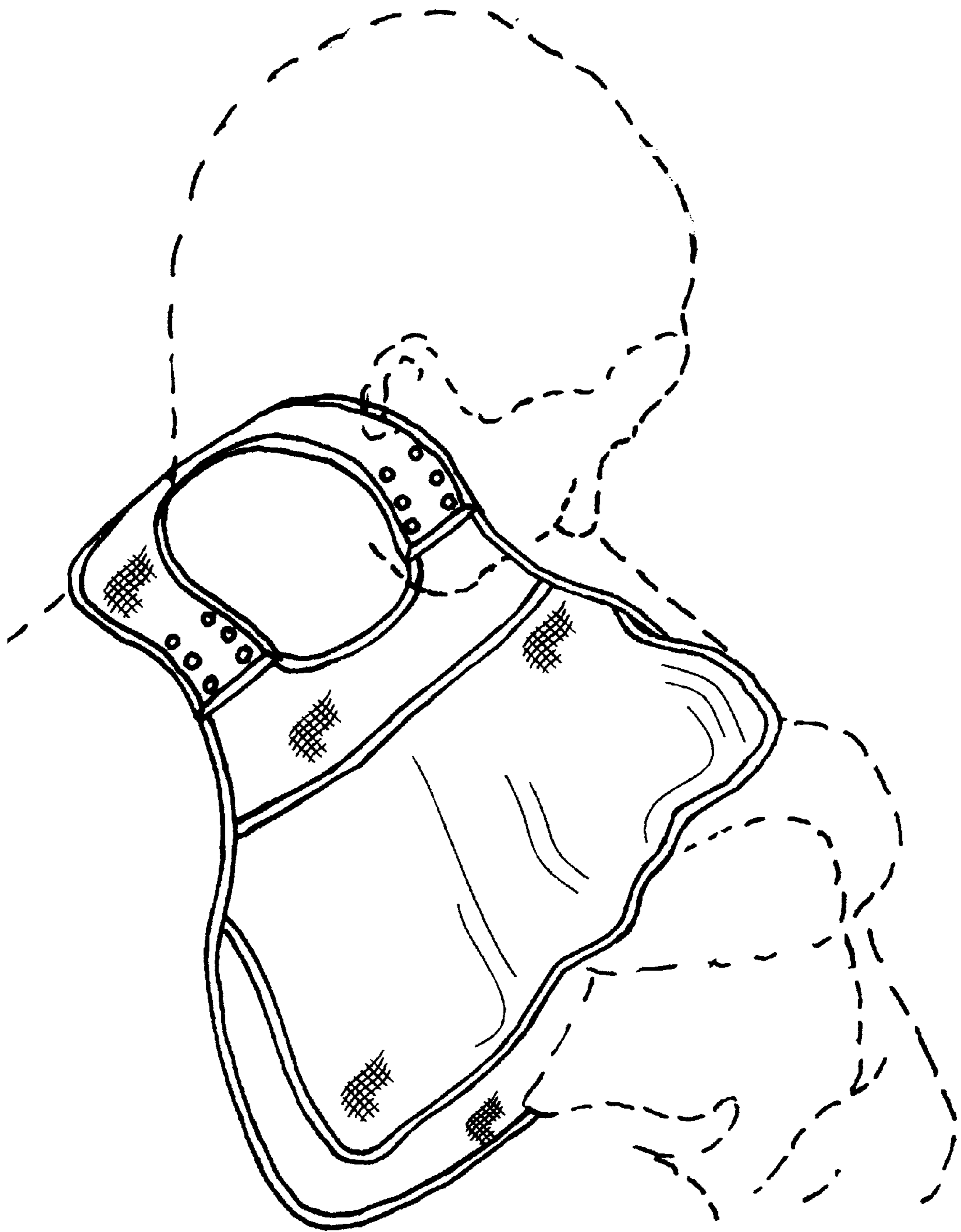


Fig. 8

Fig. 9

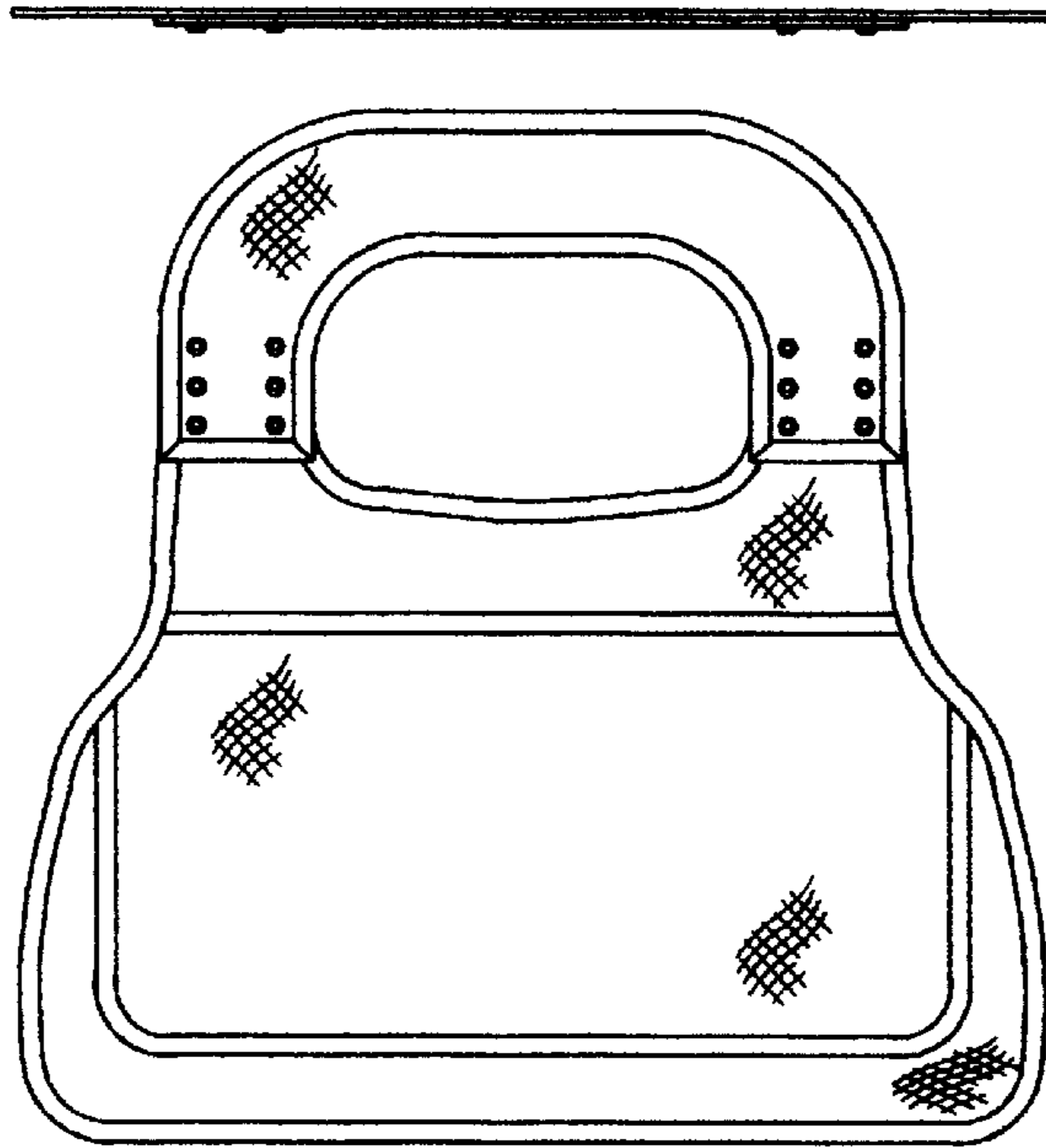


Fig. 10

Fig. 11

Fig. 12

Fig. 13

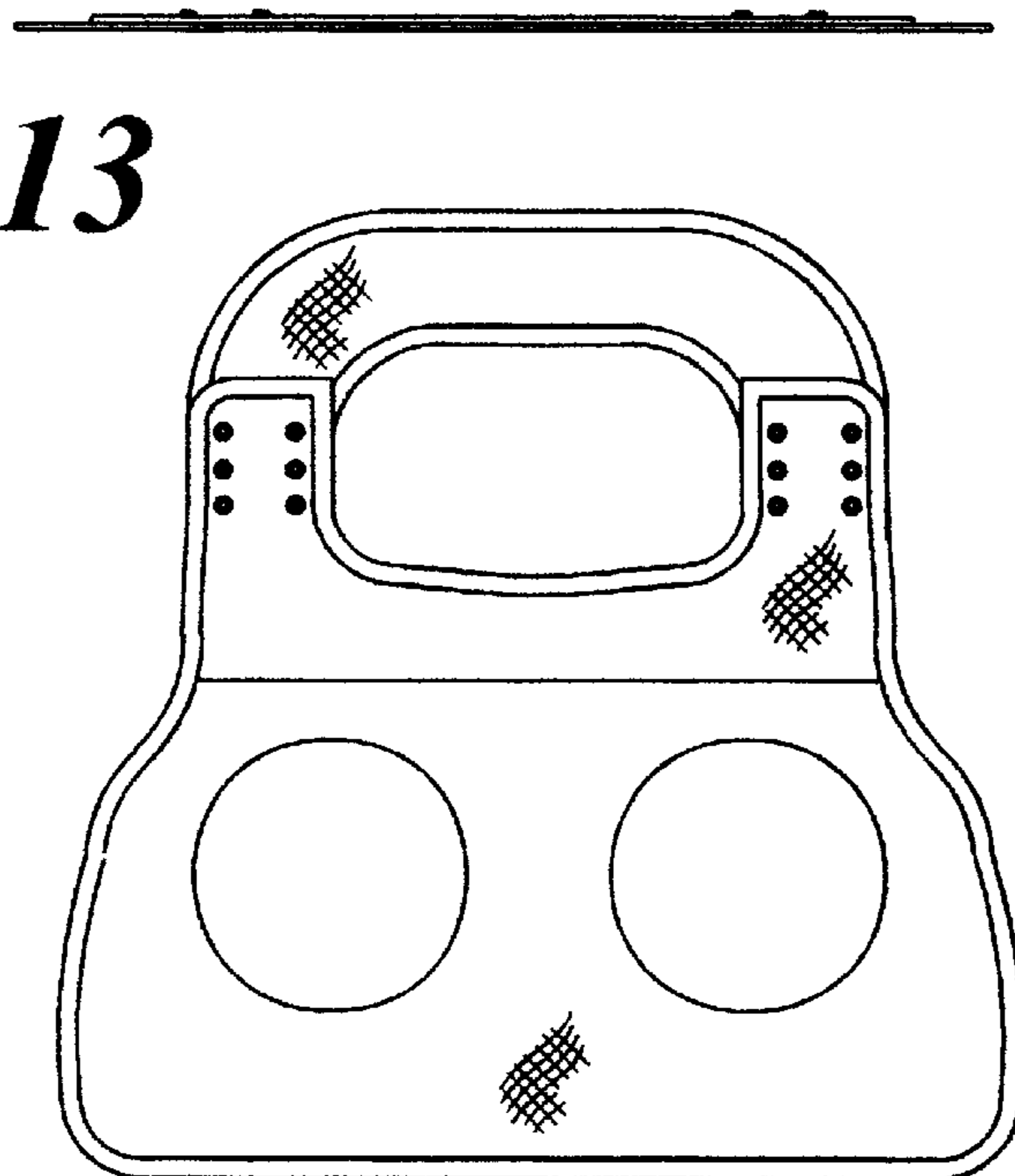


Fig. 14