



US00D443399S

(12) **United States Design Patent**
Henry

(10) **Patent No.:** **US D443,399 S**

(45) **Date of Patent:** **** Jun. 5, 2001**

(54) **TROLLEY FOR CARRYING PLANS AND DRAWINGS**

D. 418,269 * 12/1999 Henry D34/17
3,955,511 * 5/1976 Bak 108/137

(75) Inventor: **Roger J. W. Henry**, Hawthorn (AU)

* cited by examiner

(73) Assignee: **Arnos Australia Pty Ltd**, Cheltenham (AU)

Primary Examiner—Kay H. Chin

(74) *Attorney, Agent, or Firm*—Sughrue, Mion, Zinn, Macpeak & Seas, PLLC

(**) Term: **14 Years**

(57) **CLAIM**

(21) Appl. No.: **29/125,716**

The ornamental design for a trolley for carrying plans and drawings, as shown and described.

(22) Filed: **Jun. 29, 2000**

DESCRIPTION

(51) **LOC (7) Cl.** **12-02**

(52) **U.S. Cl.** **D34/17; D34/21**

(58) **Field of Search** D34/12-27; 280/79.11, 280/79.2, 33.998, 33.991, 47.34; D6/462, 465, 467, 475, 476, 449; D19/90; 211/60.1

FIG. 1 is a perspective view of the rear and one side of a trolley for carrying plans and drawings showing my new design;

FIG. 2 is a front elevational view thereof;

FIG. 3 is a top plan view thereof; and,

FIG. 4 is a side elevational view thereof, the opposite side being a mirror image thereof.

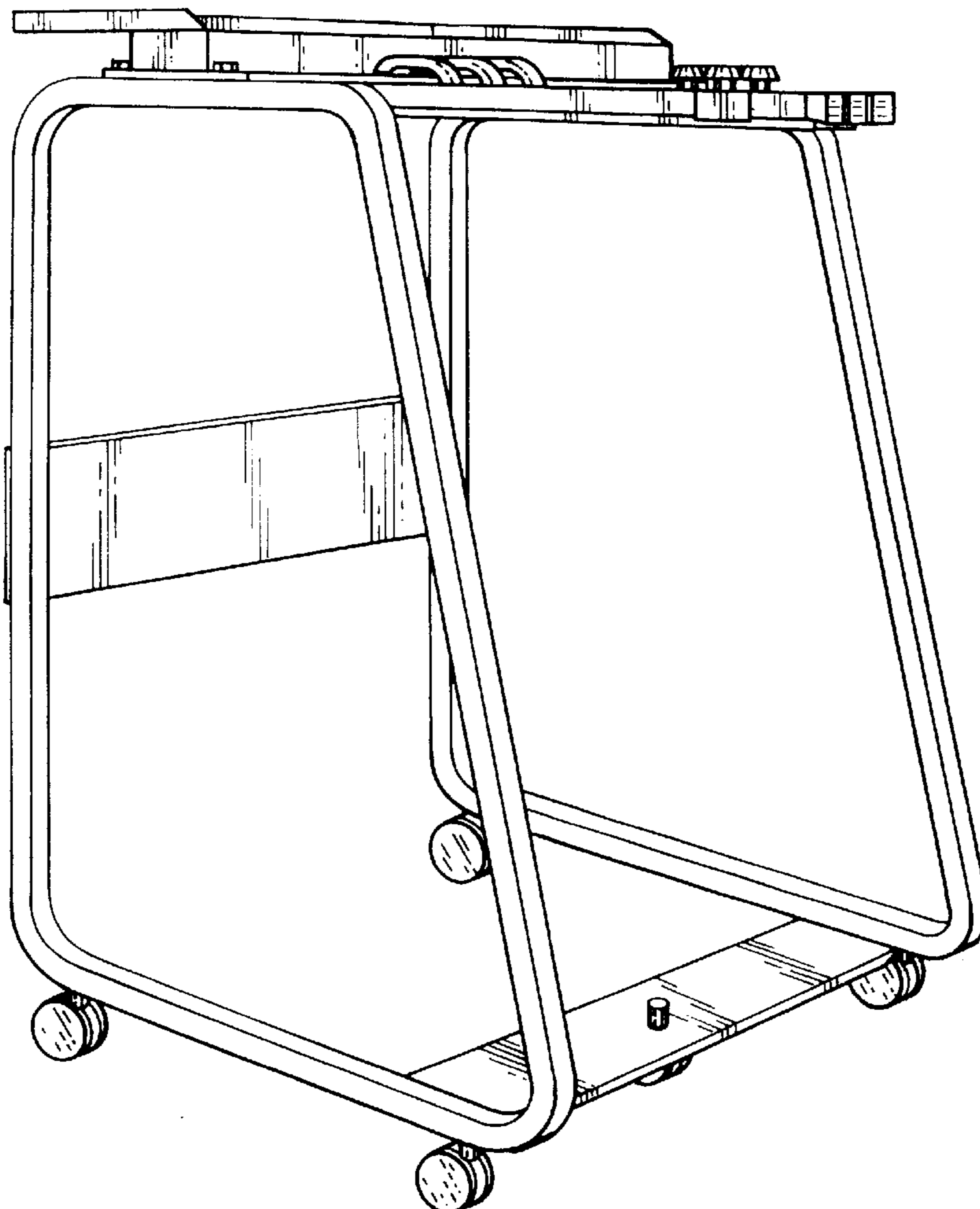
The bottom does not form a part of the claimed design.

(56) **References Cited**

U.S. PATENT DOCUMENTS

D. 366,744 * 1/1996 Bailey D34/12

1 Claim, 4 Drawing Sheets



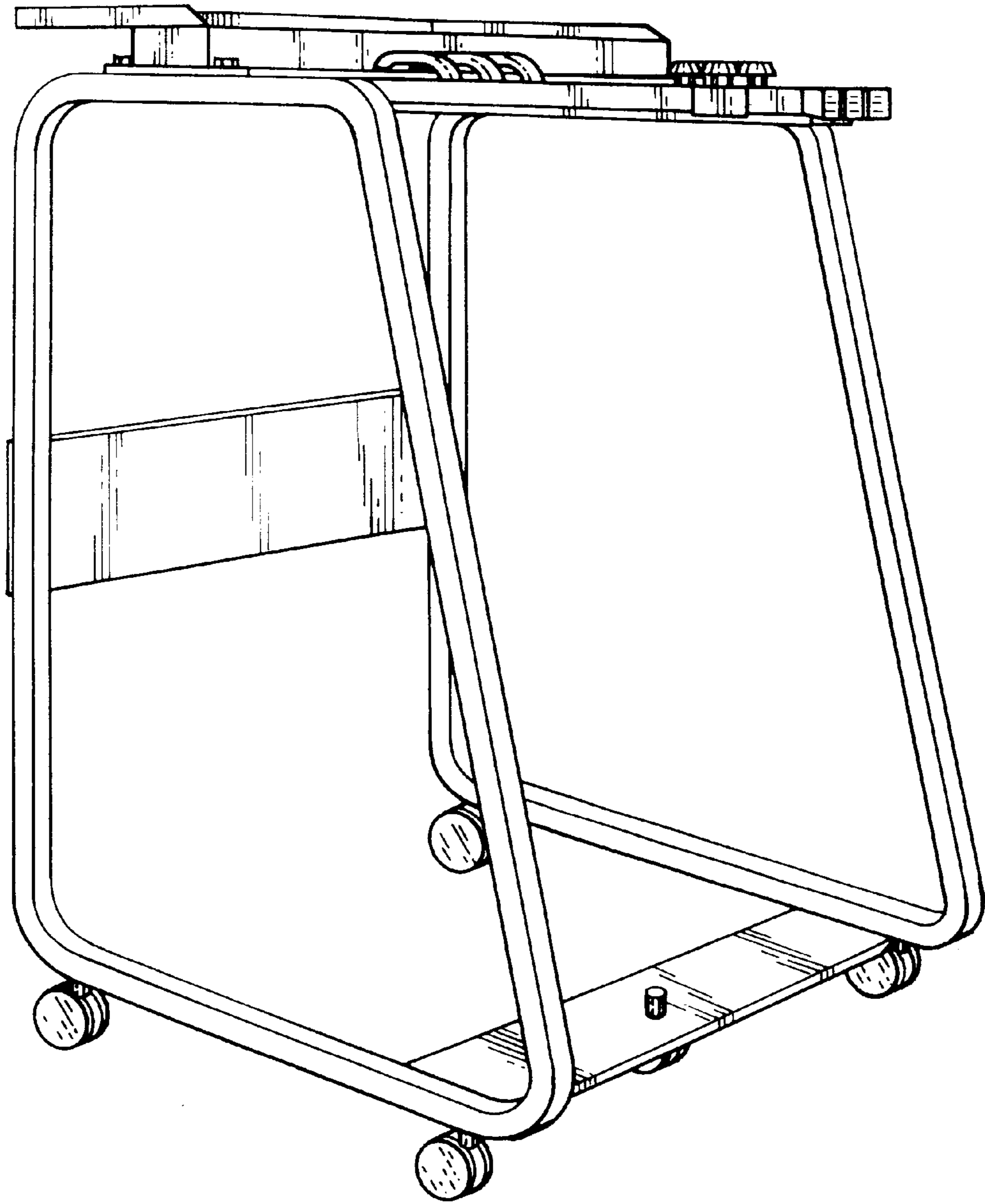


FIG. 1

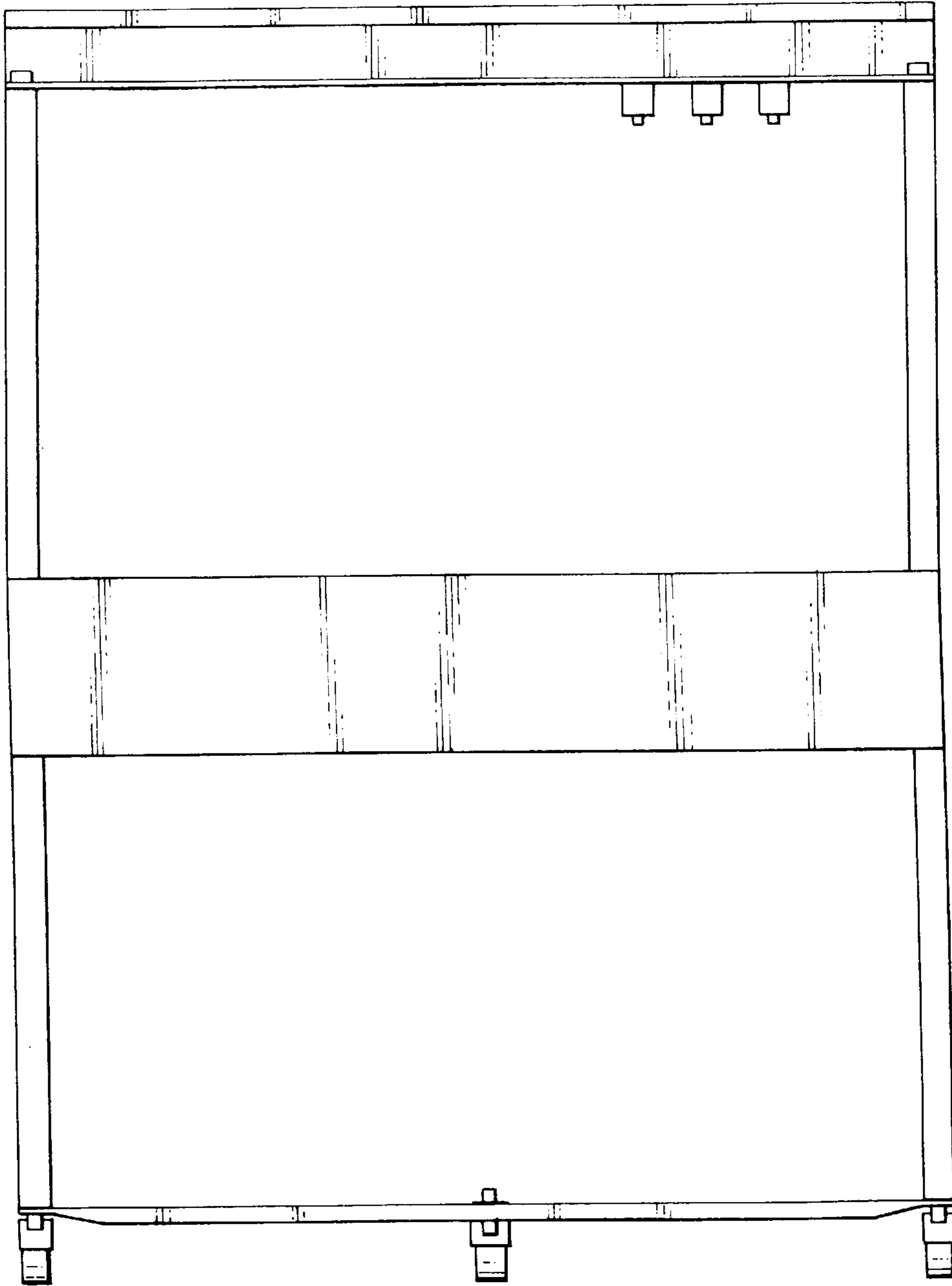


FIG. 2

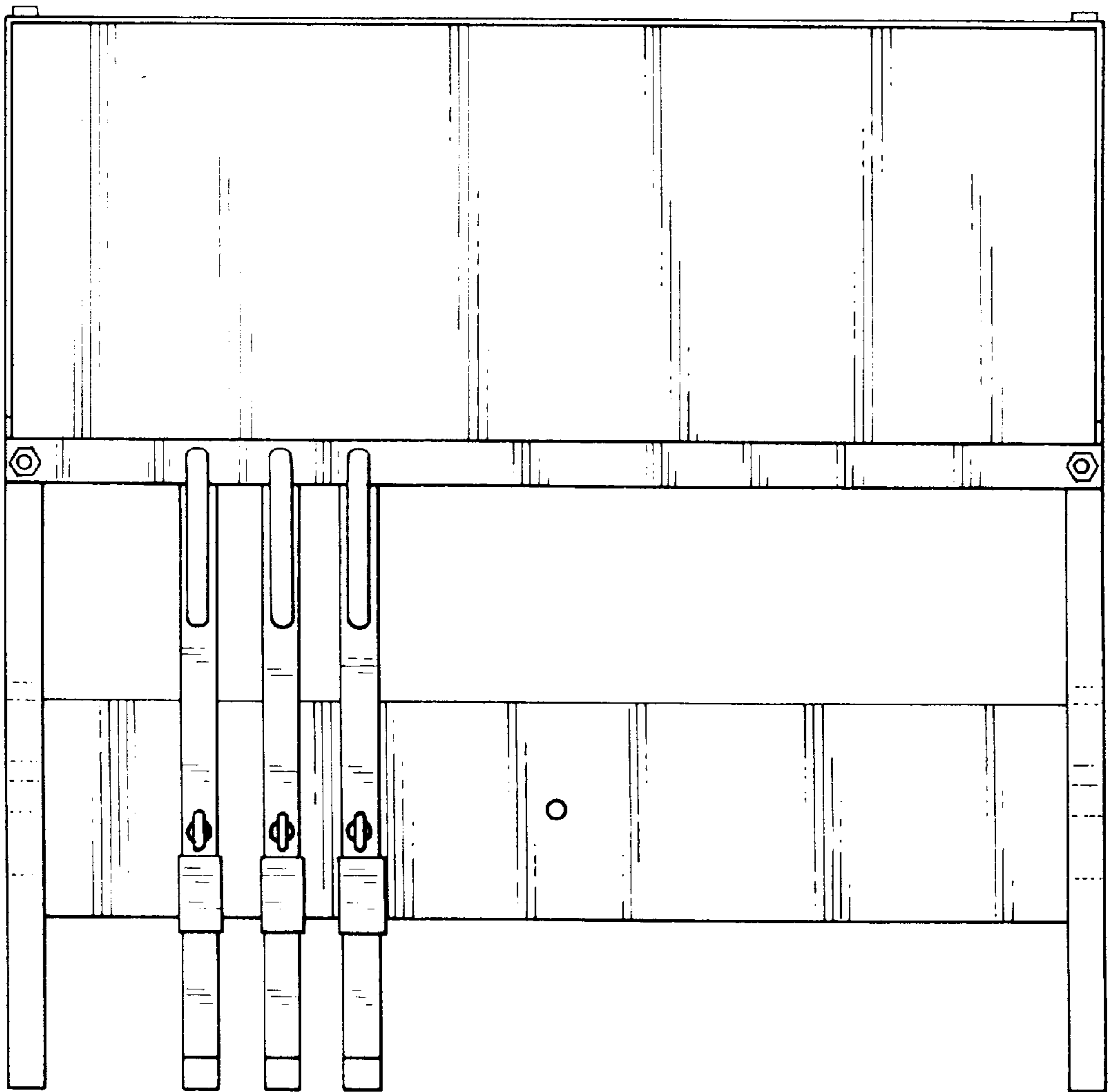


FIG. 3

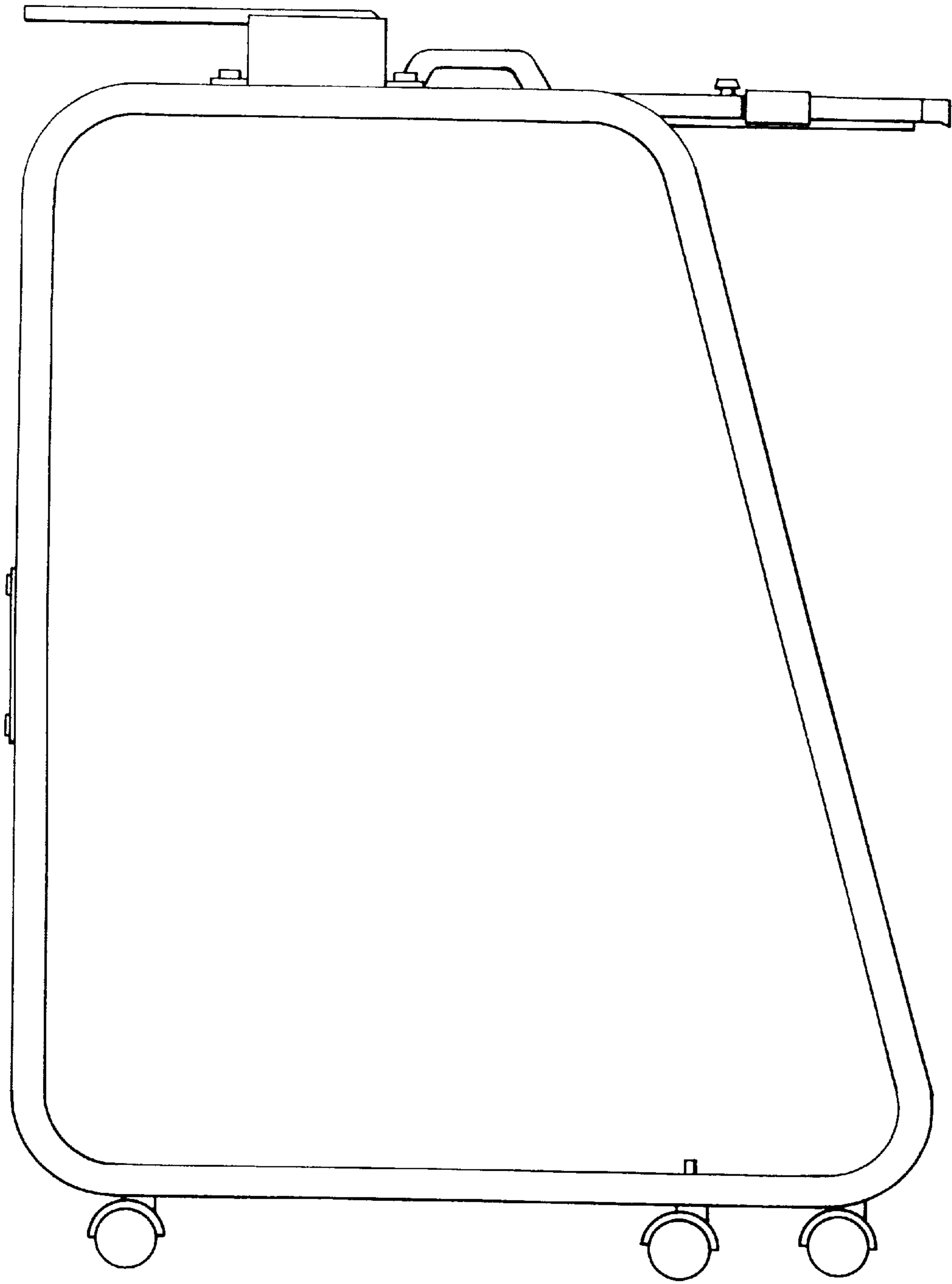


FIG. 4