



US00D443397S

(12) **United States Design Patent**
Williams

(10) **Patent No.:** **US D443,397 S**

(45) **Date of Patent:** **** Jun. 5, 2001**

(54) **WAXER-BUFFER**

(75) Inventor: **Kevin Williams**, Brooklyn, NY (US)

(73) Assignee: **Interdynamics, Inc.**, Brooklyn, NY (US)

(**) Term: **14 Years**

(21) Appl. No.: **29/125,723**

(22) Filed: **Jun. 29, 2000**

(51) **LOC (7) Cl.** **15-05**

(52) **U.S. Cl.** **D32/19**

(58) **Field of Search** D32/1, 15, 17,
D32/19, 20, 25, 33, 34; 15/344, 345, 346,
303, 21.1, 22.1, 23, 28, 32, 34; D8/61,
62; D4/102

(56) **References Cited**

U.S. PATENT DOCUMENTS

D. 339,275	*	9/1993	Fukuda et al.	D8/62
D. 364,544	*	11/1995	Izumisawa	D8/62
D. 396,175	*	7/1998	Chung	D8/62
D. 408,244	*	4/1999	Price	D8/62

* cited by examiner

Primary Examiner—Louis S. Zarfaz

Assistant Examiner—Robert A. Delehanty

(74) *Attorney, Agent, or Firm*—Levisohn, Lerner, Berger & Langsam

(57) **CLAIM**

The ornamental design for the waxer-buffer, as shown and described.

DESCRIPTION

FIG. 1 is a perspective view of the waxer-buffer of this invention.

FIG. 2 is a left side elevation view of the waxer-buffer, the right side being a mirror image thereof;

FIG. 3 is a front view of the waxer-buffer of this invention.

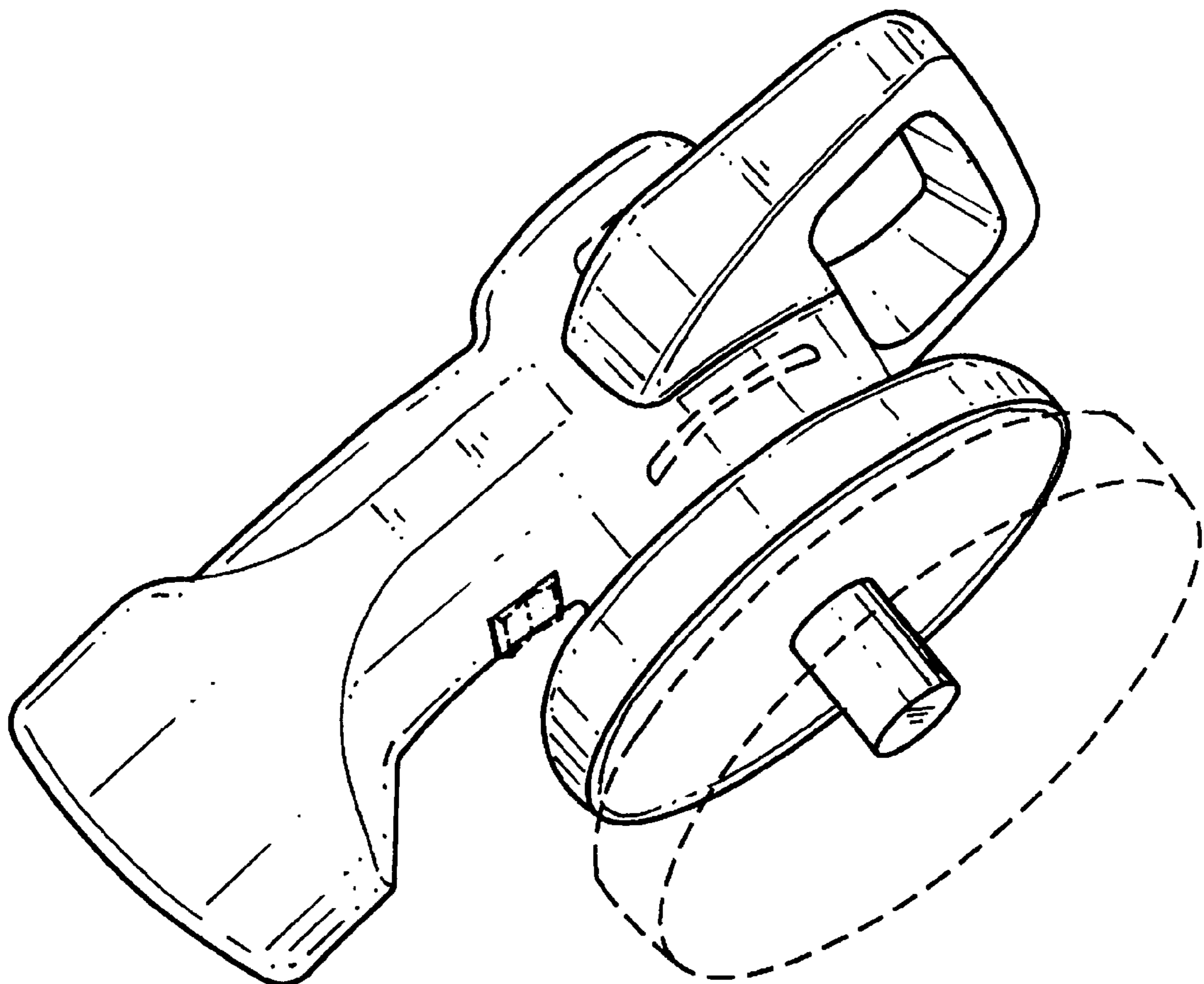
FIG. 4 is a rear view of the waxer-buffer of this invention.

FIG. 5 is a top view of the waxer-buffer of this invention; and,

FIG. 6 is a bottom view of the waxer-buffer of this invention.

The elements shown in broken lines in the figures are for illustrative purposes only and form no part of the claimed design.

1 Claim, 4 Drawing Sheets



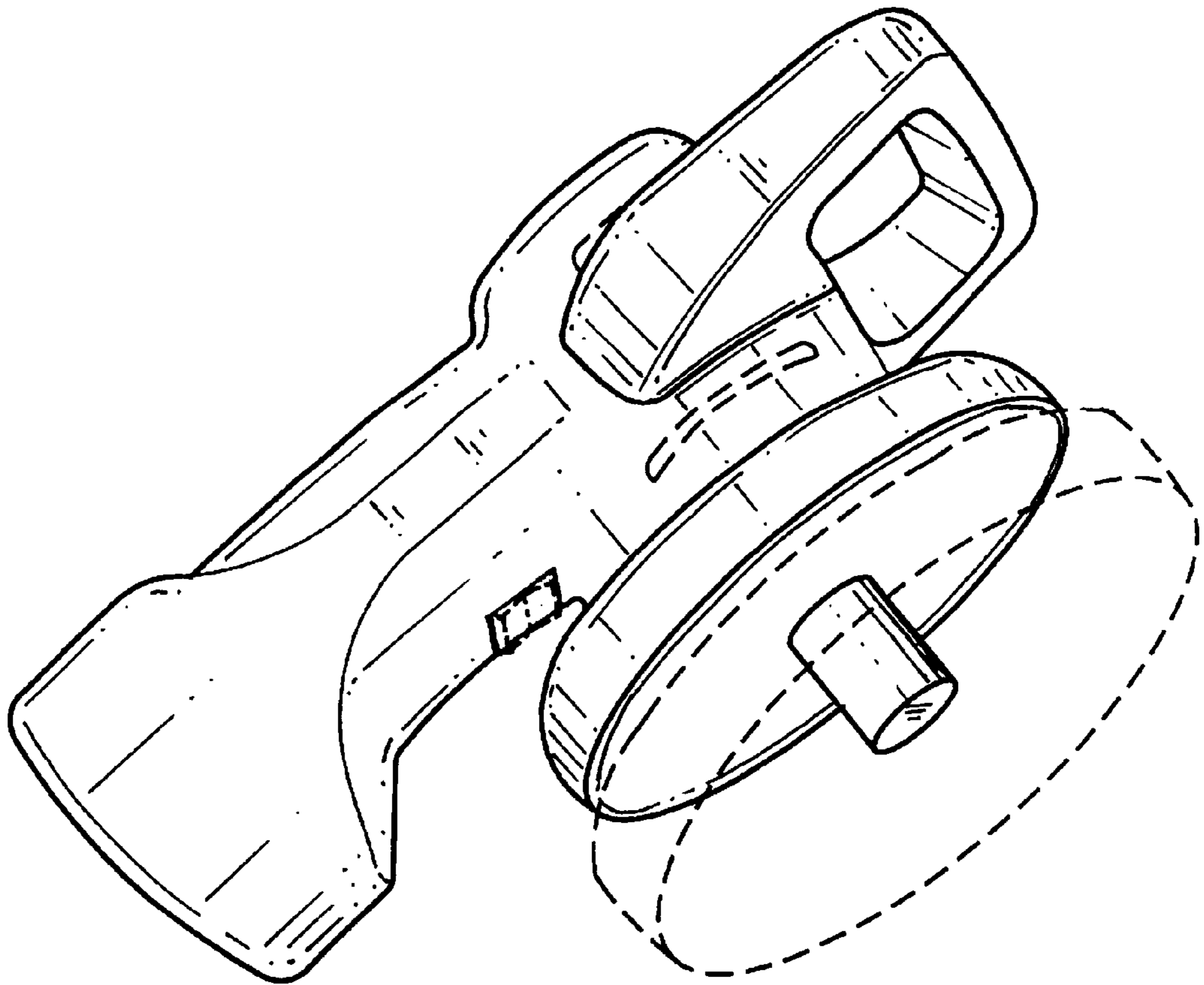


FIG. 1

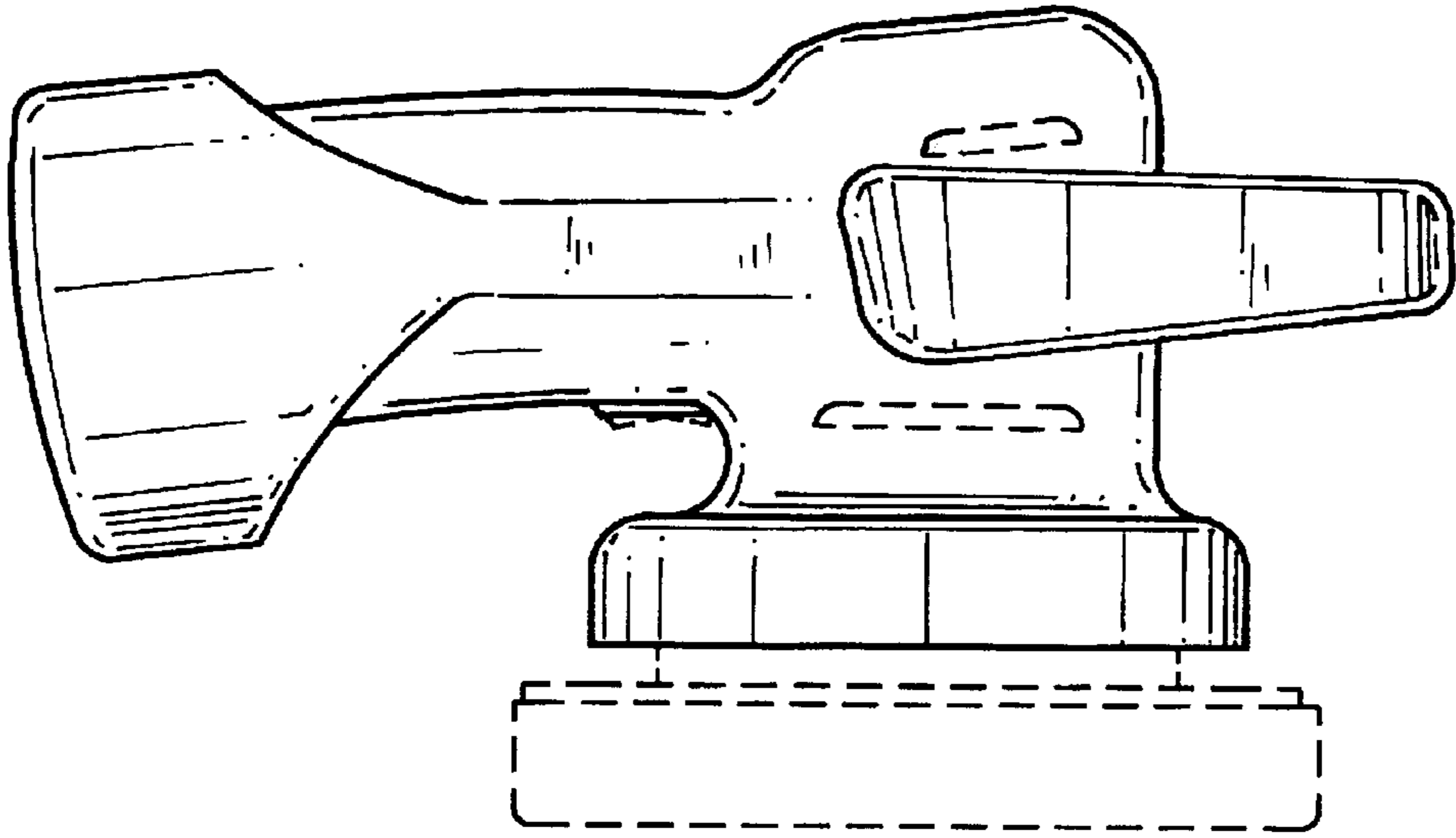


FIG. 2

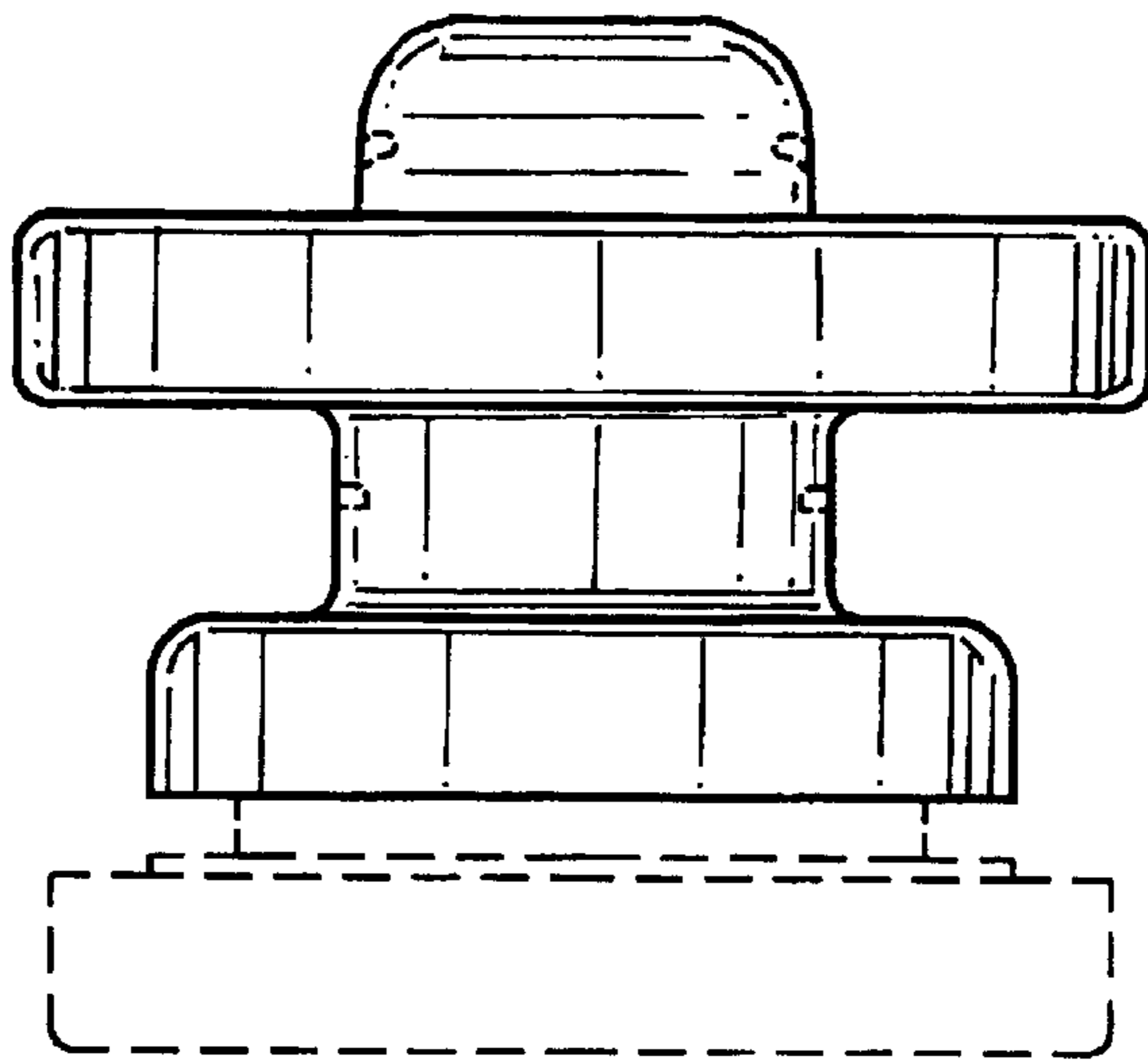


FIG. 3

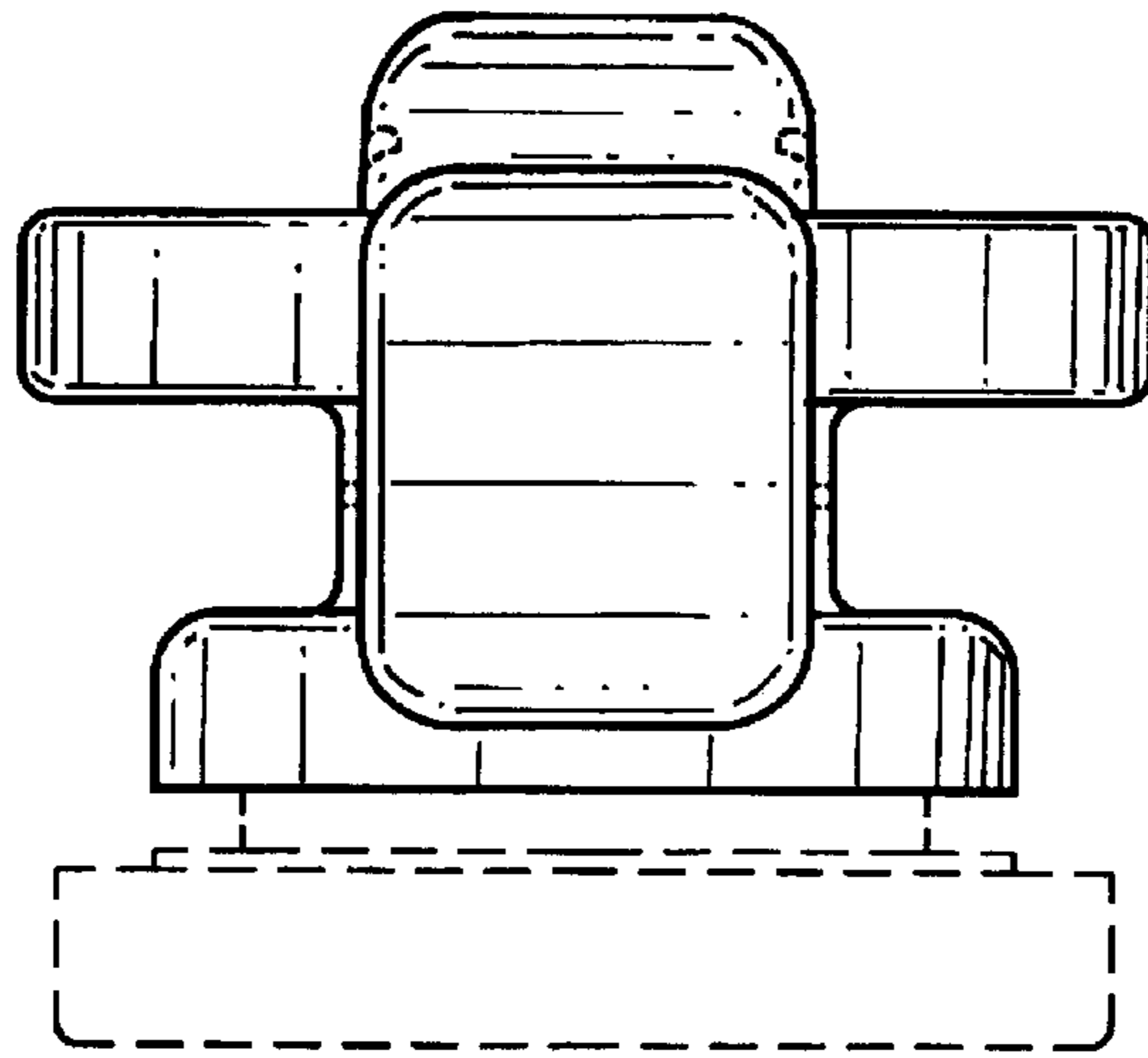


FIG. 4

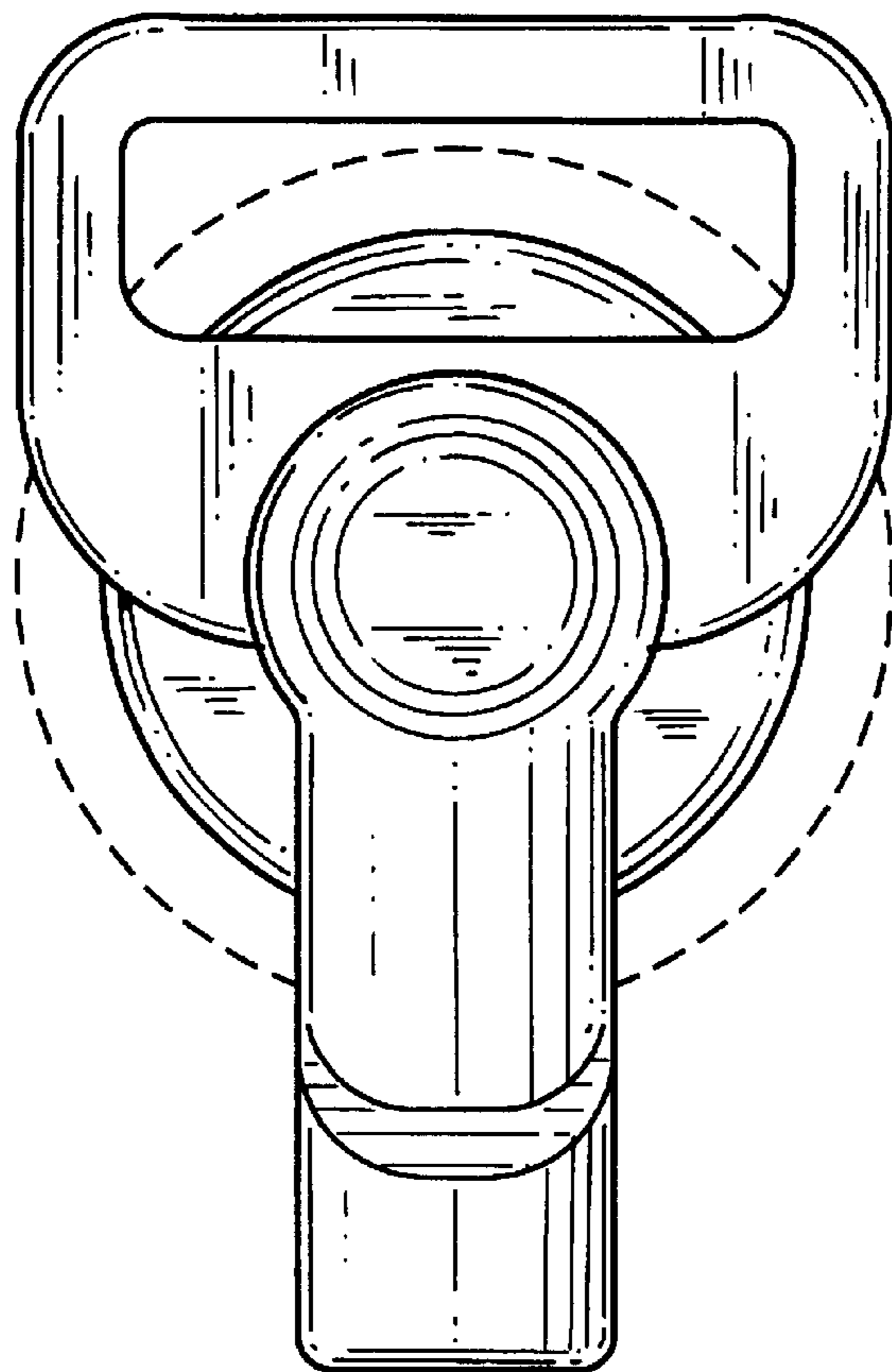


FIG. 5

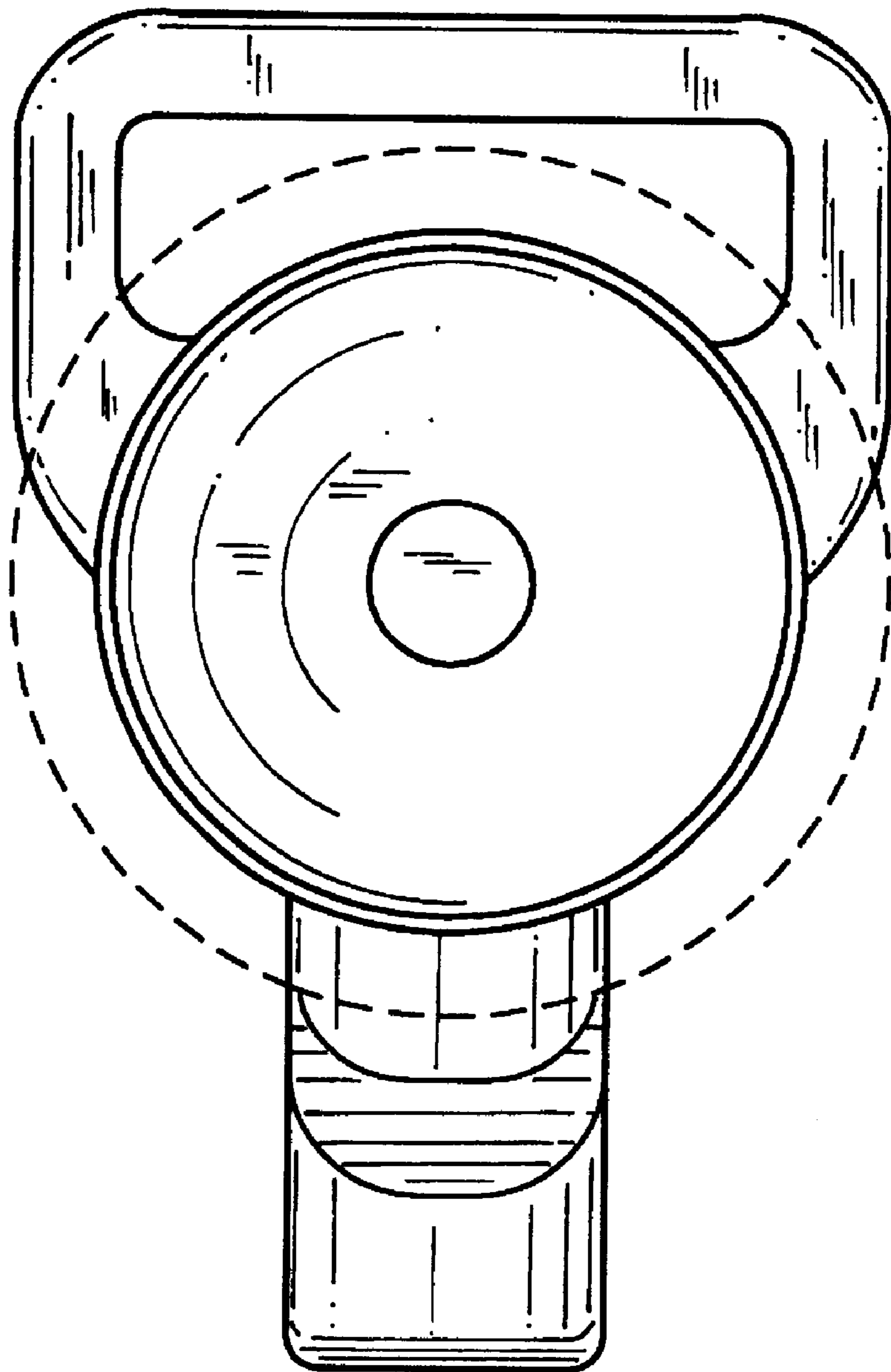


FIG. 6