



US00D443395S

(12) **United States Design Patent**
Suns

(10) **Patent No.:** **US D443,395 S**

(45) **Date of Patent:** **** Jun. 5, 2001**

(54) **COLDWATER DOGDISH**

2,928,372 * 3/1960 Farley 119/61
3,498,268 * 3/1970 Sleith et al. 119/61

(76) Inventor: **Charles T. M. Suns**, 2100 Sheppard
Dr., St. Peter, MN (US) 56082

* cited by examiner

(**) Term: **14 Years**

Primary Examiner—Pamela Burgess
(74) *Attorney, Agent, or Firm*—William P. Smith

(21) Appl. No.: **29/129,916**

(57) **CLAIM**

(22) Filed: **Sep. 25, 2000**

The ornamental design for a coldwater dogdish, as shown
and described.

(51) **LOC (7) Cl.** **30-03**

(52) **U.S. Cl.** **D30/129; D7/584**

(58) **Field of Search** D30/129, 121-122,
D30/130-133; D7/354, 323, 337, 326, 584;
119/61

DESCRIPTION

FIG. 1 is a top perspective view of a coldwater dogdish
showing my new design;

FIG. 2 is a left-side elevational view thereof;

FIG. 3 is a front elevational view thereof;

FIG. 4 is a rear elevational view thereof;

FIG. 5 is a top plan view thereof; and,

FIG. 6 is a bottom plan view thereof.

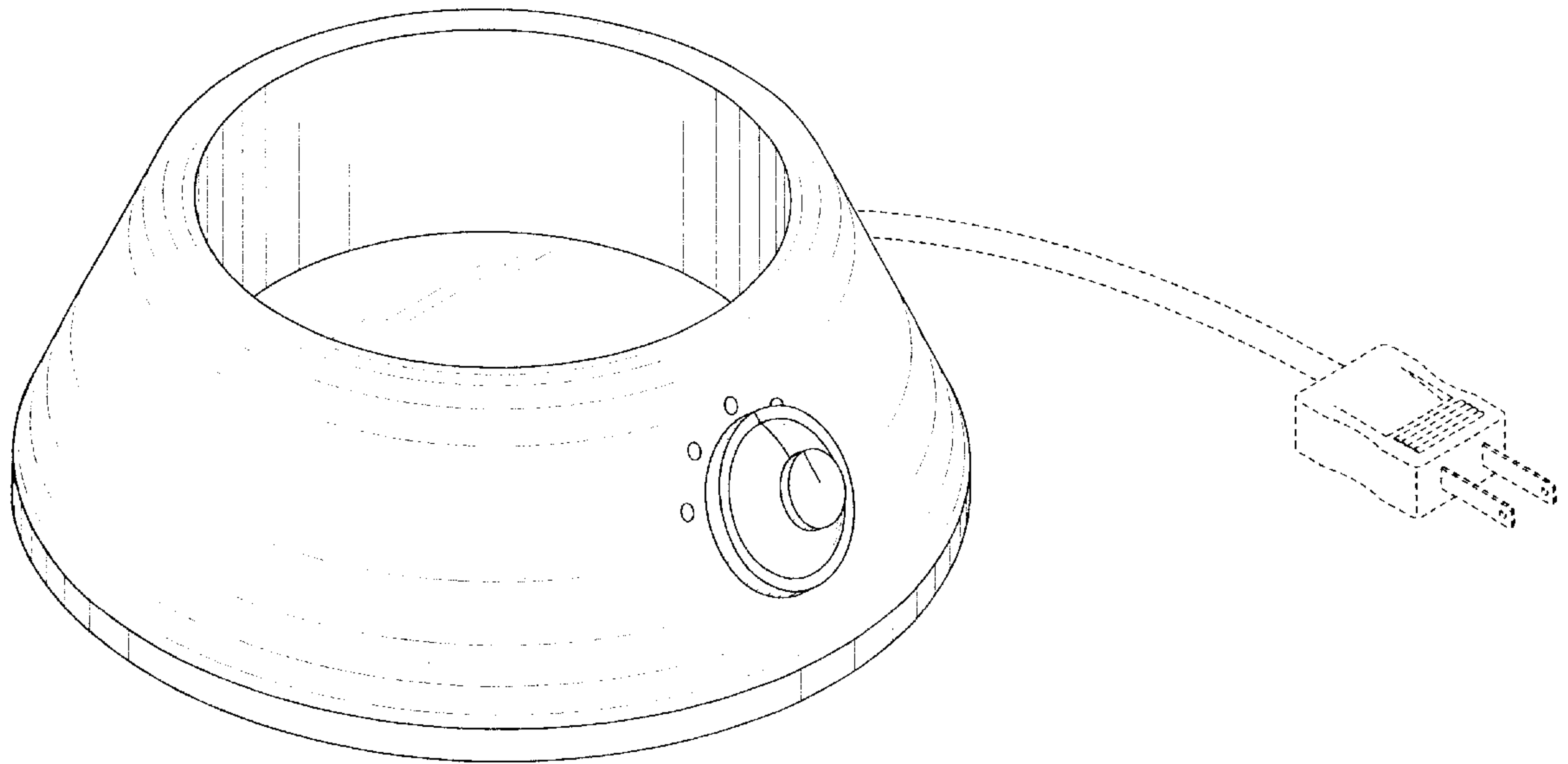
The broken lines shown in FIG. 1 are for illustrative
purposes only and form no part of the claimed design.

(56) **References Cited**

U.S. PATENT DOCUMENTS

- D. 313,486 * 1/1991 Conner D30/129
- D. 313,487 * 1/1991 Conner D30/129
- D. 340,554 * 10/1993 Wheeler D30/129
- D. 362,089 9/1995 Moore et al. .
- D. 370,749 * 6/1996 Lillelund et al. D30/129

1 Claim, 3 Drawing Sheets



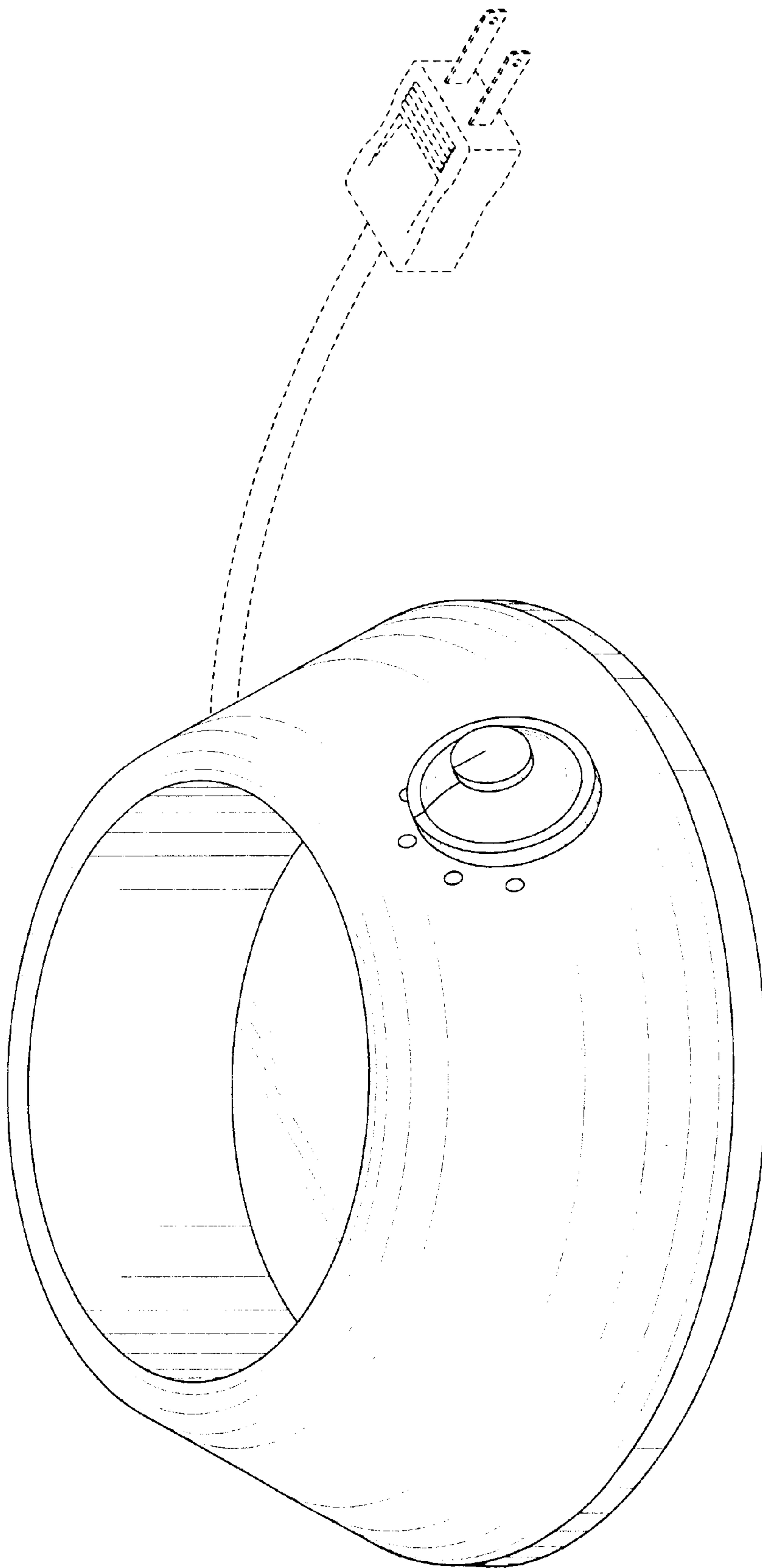


Fig. 1

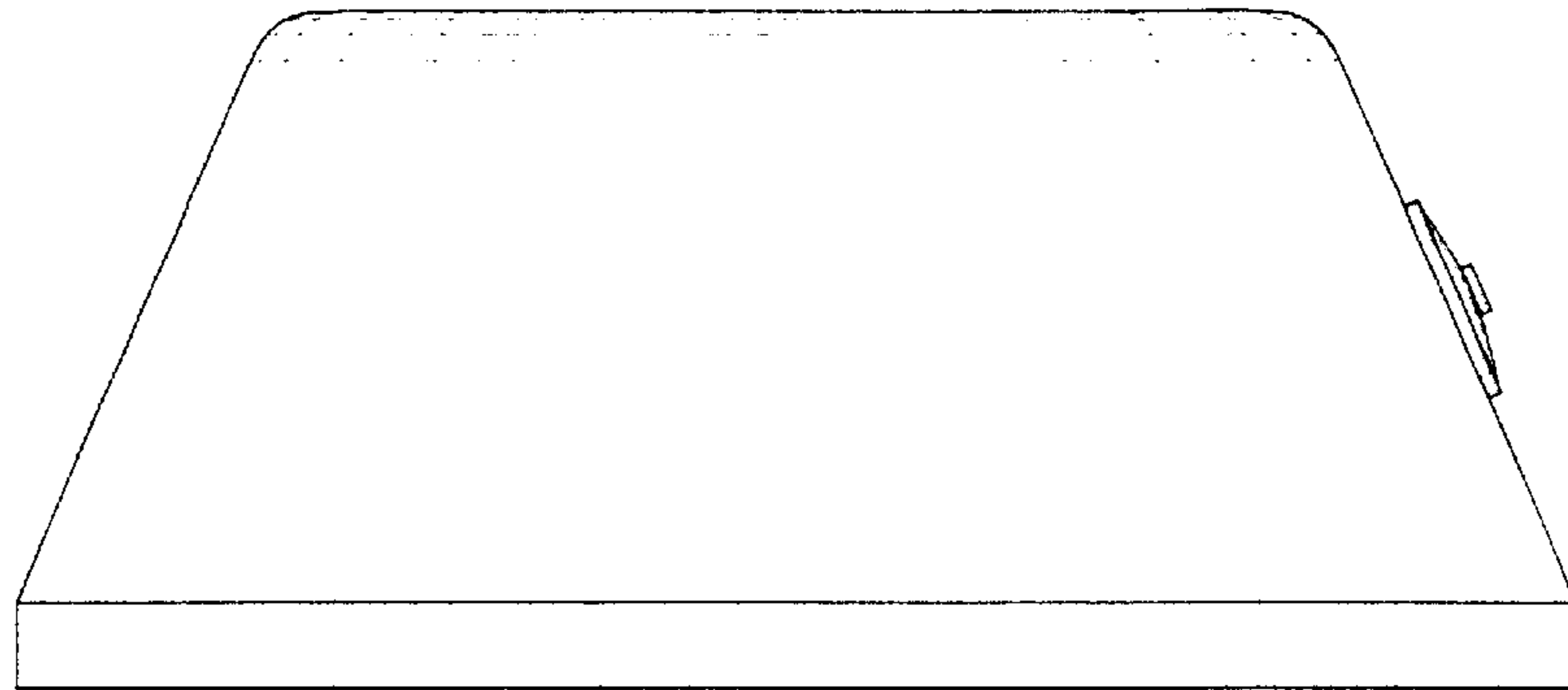


Fig. 2

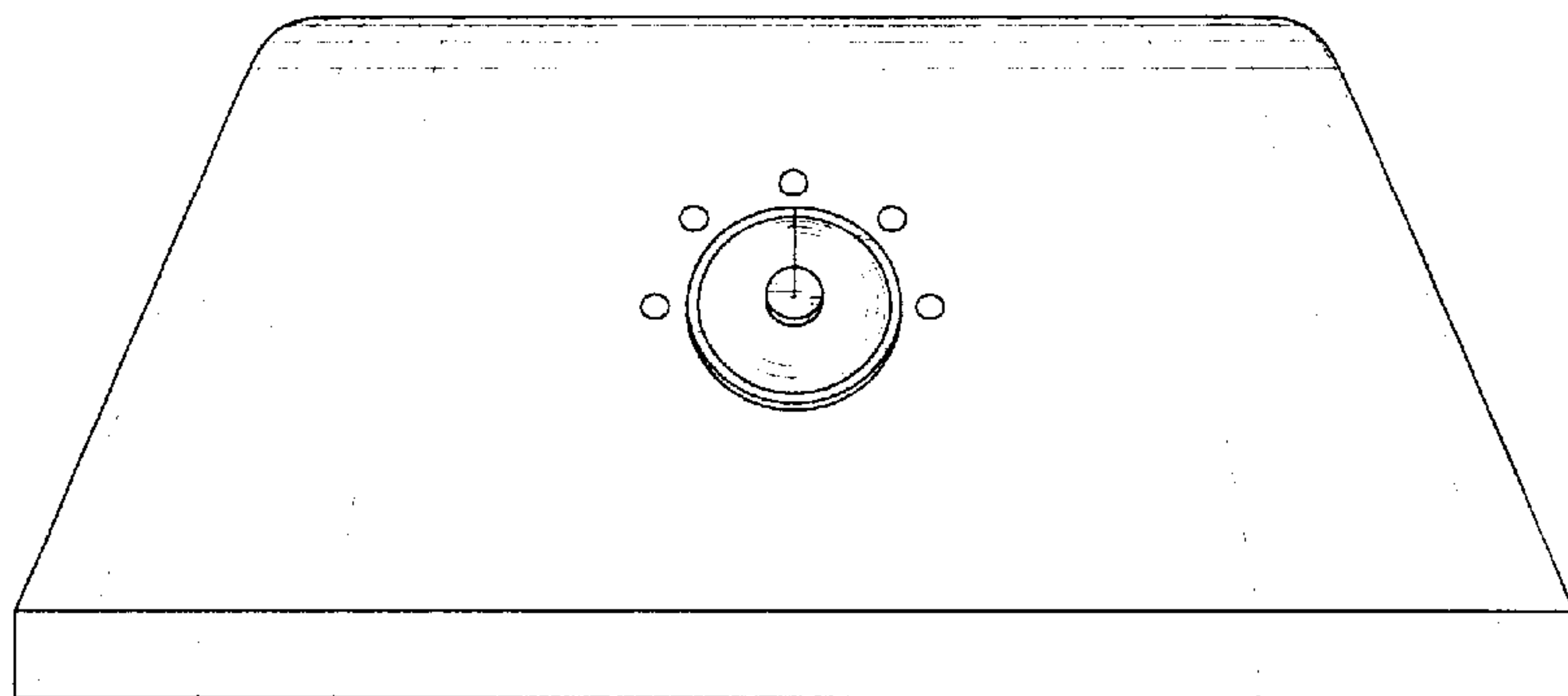


Fig. 3

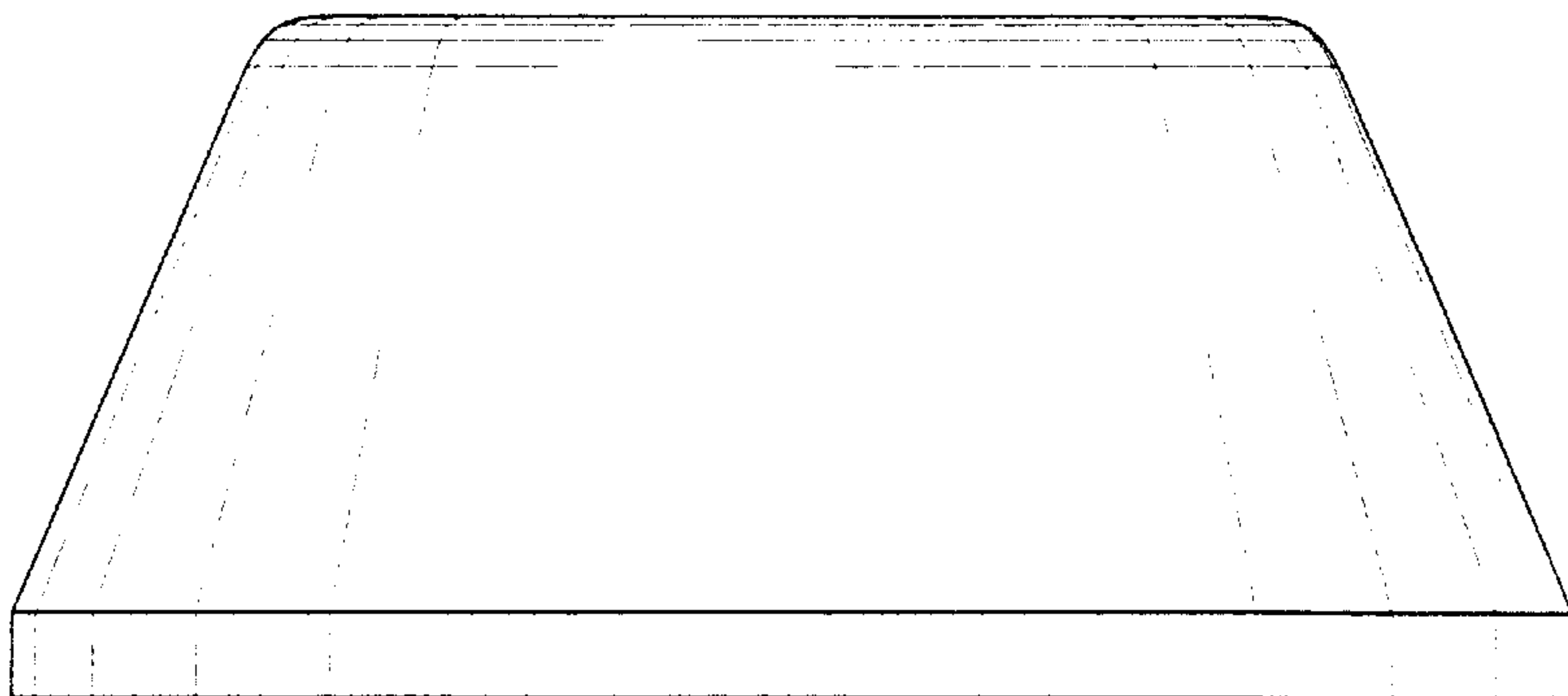


Fig. 4

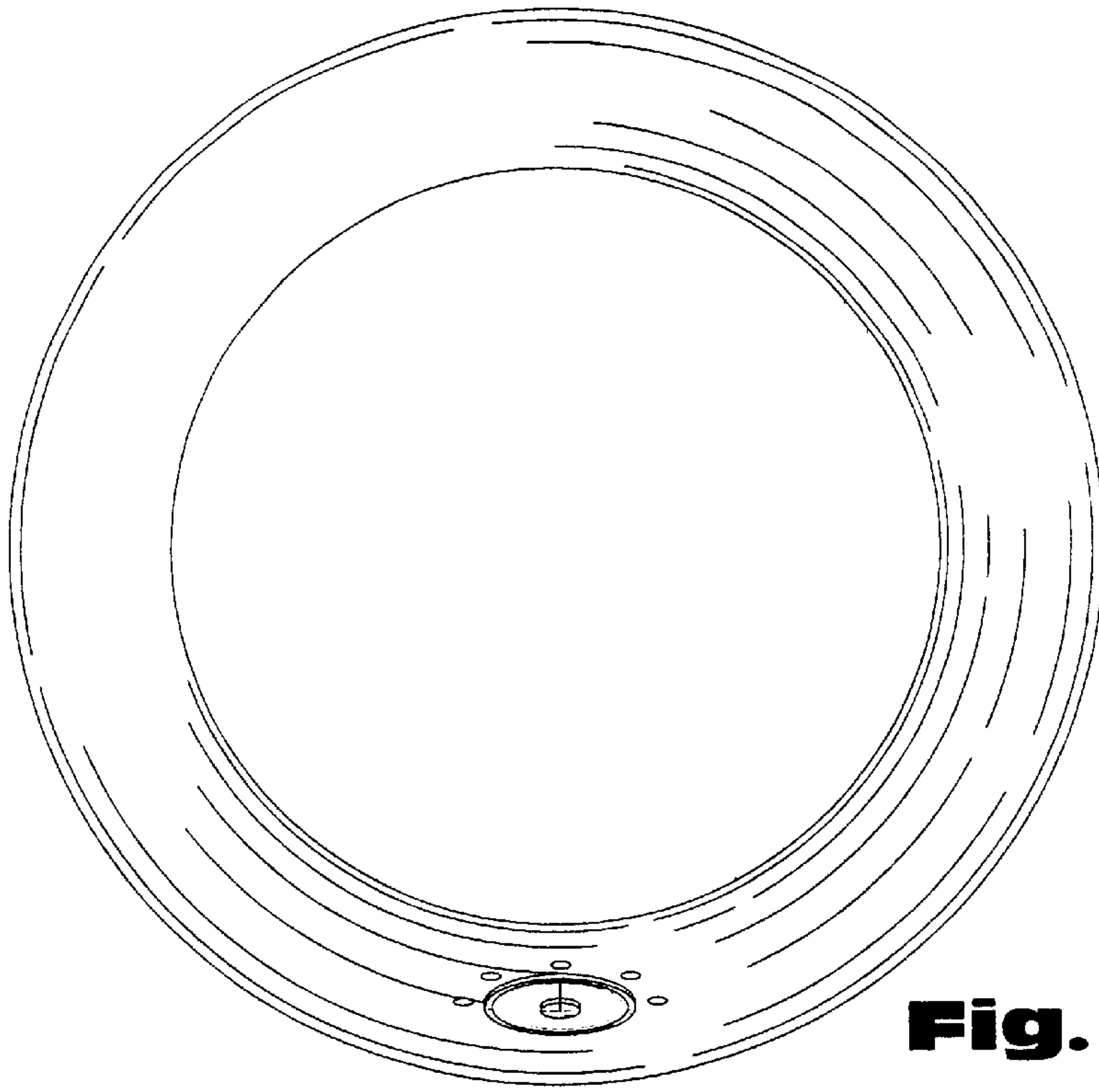


Fig. 5

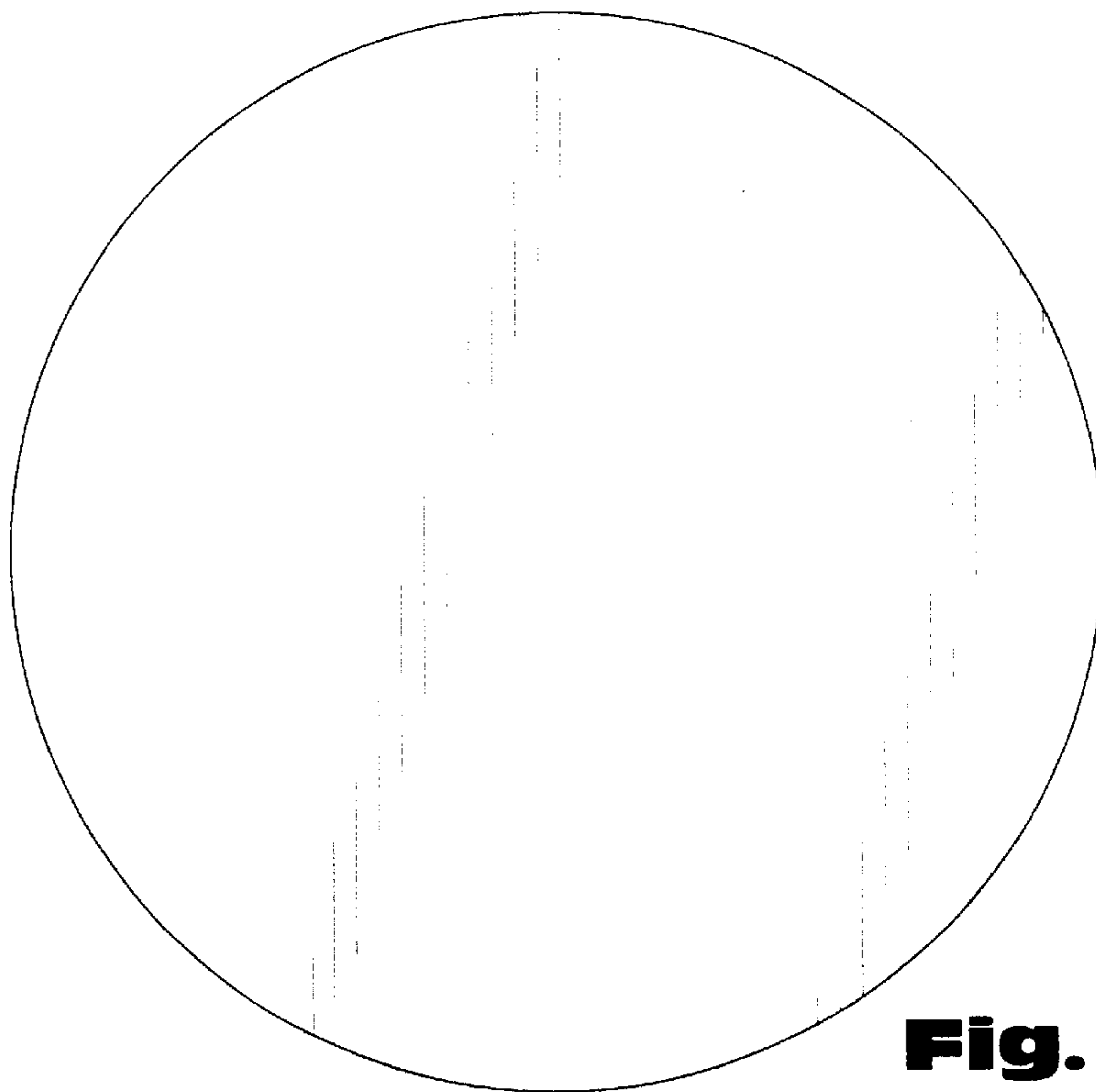


Fig. 6