



US00D443392S

(12) **United States Design Patent**
Washington

(10) **Patent No.:** **US D443,392 S**

(45) **Date of Patent:** **** Jun. 5, 2001**

(54) **FINGERNAIL ENHANCEMENT**

(76) **Inventor:** **Michele Washington**, P.O. Box 83415,
Phoenix, AZ (US) 85071

(**) **Term:** **14 Years**

(21) **Appl. No.:** **29/128,234**

(22) **Filed:** **Aug. 21, 2000**

4,926,890	5/1990	Hoskins .
4,947,876	8/1990	Larsen .
4,960,138	10/1990	Kling .
5,070,892	12/1991	Trematerra .
5,121,760	6/1992	Ward .
5,282,276	2/1994	Preziose .
5,372,150	12/1994	Hughes .
5,450,864	9/1995	LaJoie et al. .
5,467,787	11/1995	Mast et al. .

(List continued on next page.)

Related U.S. Application Data

(62) Division of application No. 29/105,812, filed on Jun. 3, 1999, now Pat. No. Des. 424,529.

(51) **LOC (7) Cl.** **28-03**

(52) **U.S. Cl.** **D28/56**

(58) **Field of Search** D28/56; 132/73

(56) **References Cited**

U.S. PATENT DOCUMENTS

- | | | | |
|------------|----------|----------------------|----------|
| D. 295,451 | 4/1988 | Mast . | |
| D. 314,727 | 2/1991 | Samaras . | |
| D. 376,224 | 12/1996 | Fojon . | |
| D. 380,887 | * 7/1997 | Agee, II et al. | D28/56 |
| D. 384,440 | 9/1997 | Meyerovich . | |
| 1,135,382 | 4/1915 | Kindred . | |
| 1,942,332 | 1/1934 | Hamberg . | |
| 2,234,657 | 3/1941 | Smaldone . | |
| 2,607,356 | 8/1952 | Lewis . | |
| 2,746,460 | 5/1956 | Jellinek . | |
| 2,799,282 | 7/1957 | Slack . | |
| 2,941,535 | 6/1960 | Lappe . | |
| 3,487,831 | 1/1970 | Jaume . | |
| 3,502,088 | 3/1970 | Jarby . | |
| 3,750,684 | 8/1973 | Russell . | |
| 3,967,631 | 7/1976 | Kosal . | |
| 3,993,084 | 11/1976 | Cullen . | |
| 4,106,614 | 8/1978 | Aylott . | |
| 4,625,740 | 12/1986 | Roth . | |
| 4,632,134 | 12/1986 | Reid . | |
| 4,751,935 | 6/1988 | Mast et al. . | |
| 4,767,648 | * 8/1988 | Hokama et al. | 132/73 X |
| 4,824,702 | 4/1989 | Straub . | |
| 4,920,991 | 5/1990 | Shibahashi et al. . | |

FOREIGN PATENT DOCUMENTS

- | | | |
|----------|---------|--------|
| 725969 | 3/1955 | (DE) . |
| 1072931 | 9/1954 | (FR) . |
| 81 11414 | 12/1981 | (FR) . |

Primary Examiner—Dominic Simone

(74) *Attorney, Agent, or Firm*—Schmeiser, Olsen & Watts

(57) **CLAIM**

The ornamental design for the fingernail enhancement, as shown.

DESCRIPTION

This application is related to a copending utility patent application by Michele Washington entitled "Apparatus and Method for Covering Fingernails", U.S. Ser. No. 09/324,680, filed Jun. 3, 1999.

FIG. 1 is a perspective view of a fingernail enhancement showing my new design;

FIG. 2 is a top plan view of the fingernail enhancement in FIG. 1;

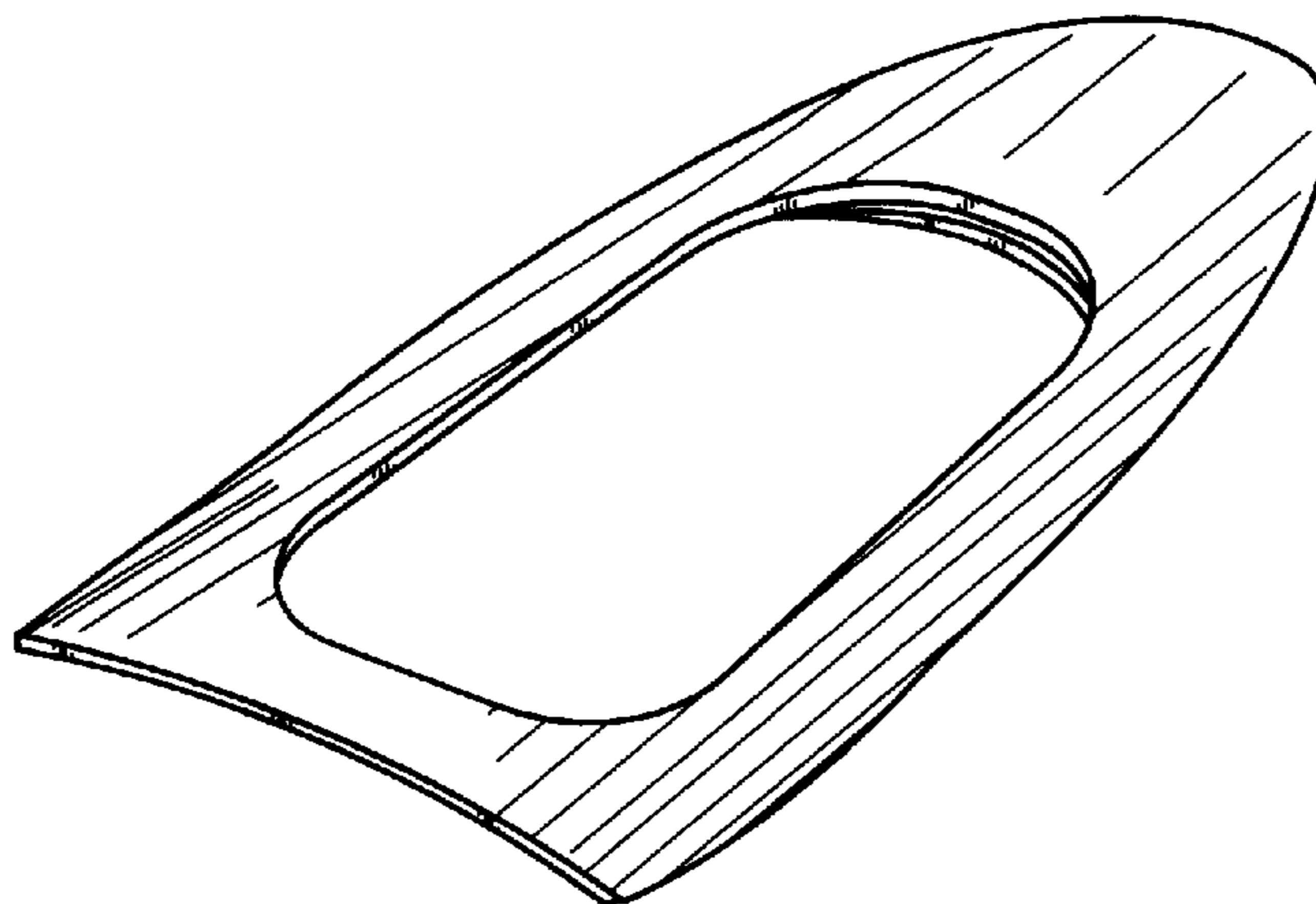
FIG. 3 is a side elevational view of the fingernail enhancement in FIG. 1;

FIG. 4 is a front elevational view of the fingernail enhancement in FIG. 1;

FIG. 5 is a bottom plan view of the fingernail enhancement in FIG. 1; and,

FIG. 6 shows a cross-sectional view of the fingernail enhancement in FIG. 1 taken along line 6—6 shown in FIG. 6.

1 Claim, 2 Drawing Sheets



US D443,392 S

Page 2

U.S. PATENT DOCUMENTS

			5,916,653	6/1999	Kunstadter et al. .
5,638,835	6/1997	Franz et al. .	5,924,427	7/1999	Jensen .
5,699,813	12/1997	Carroll .	5,928,457	7/1999	Engler .
5,724,999	3/1998	Kim .			

* cited by examiner

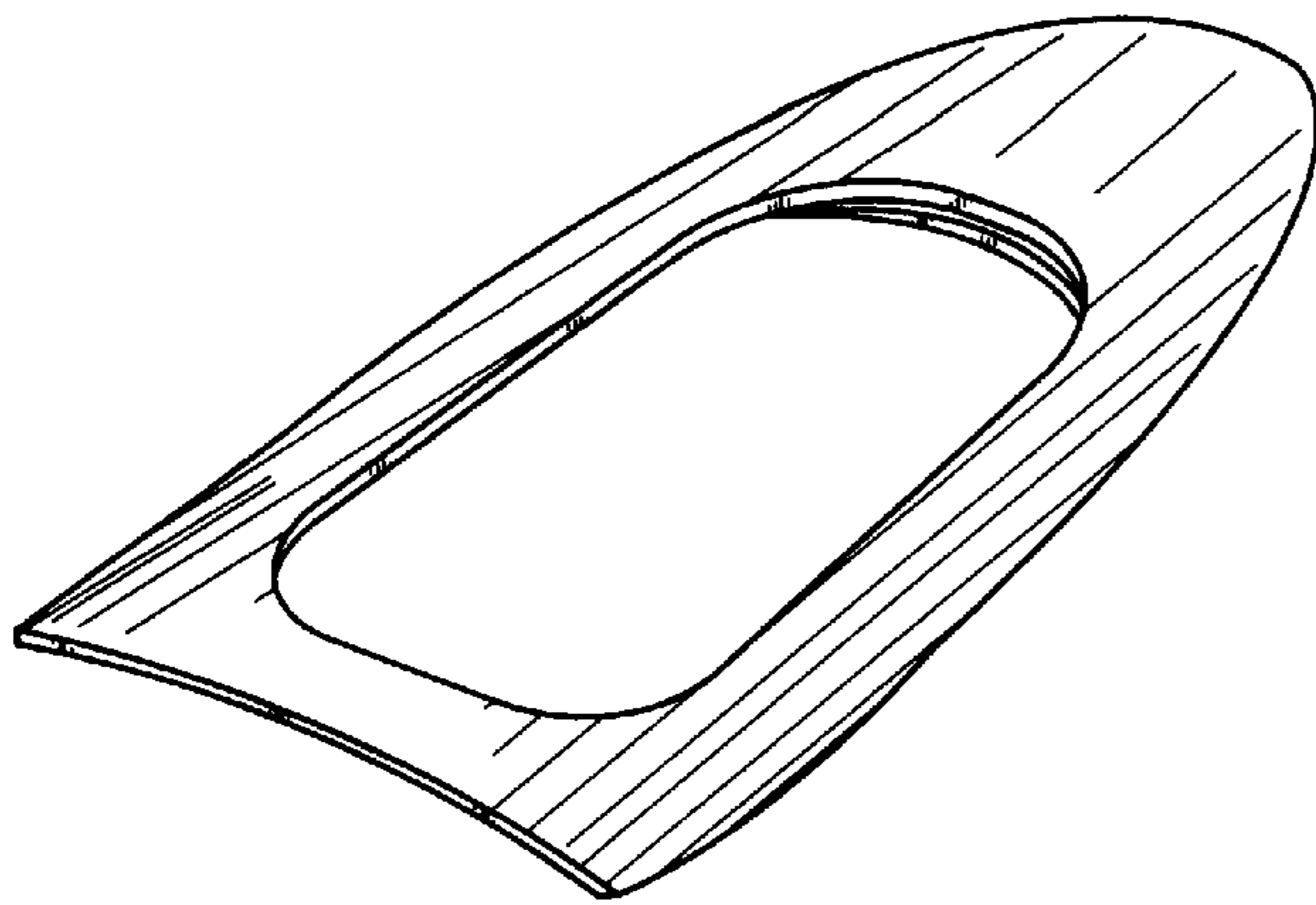


FIG. 1

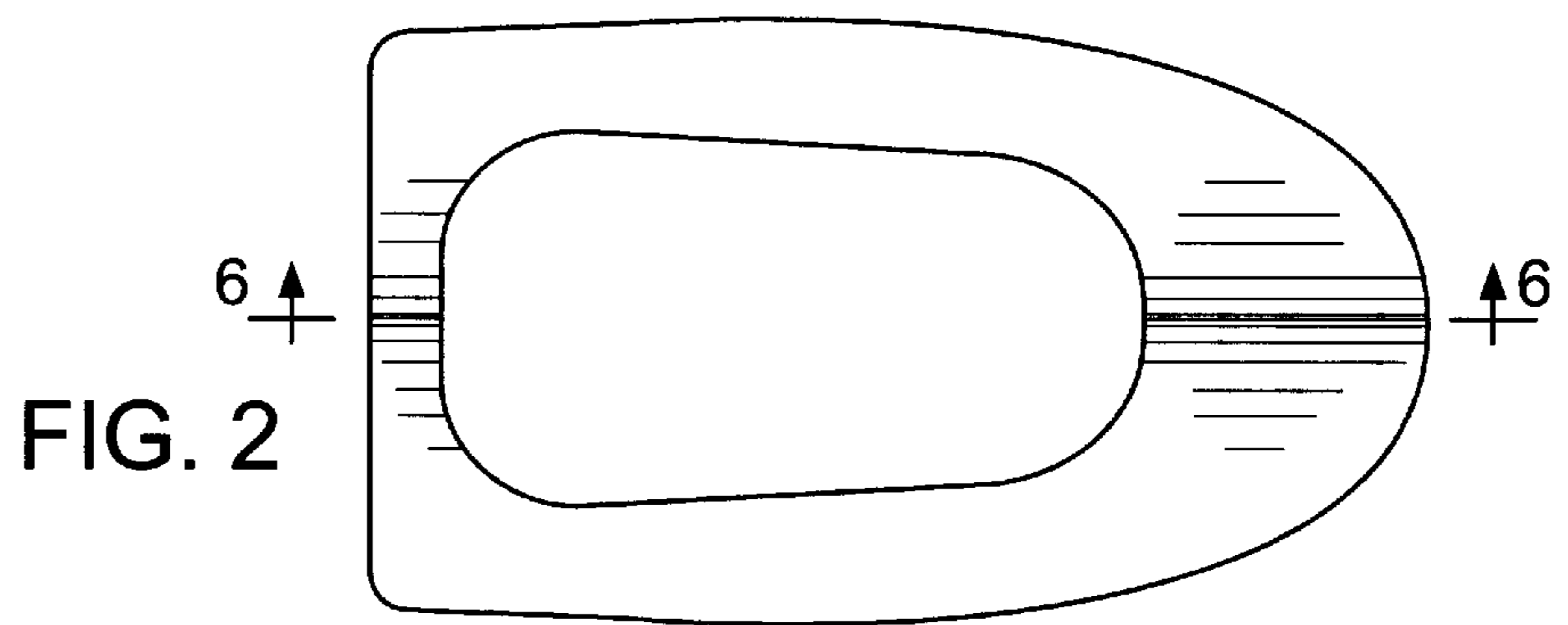


FIG. 2

FIG. 3

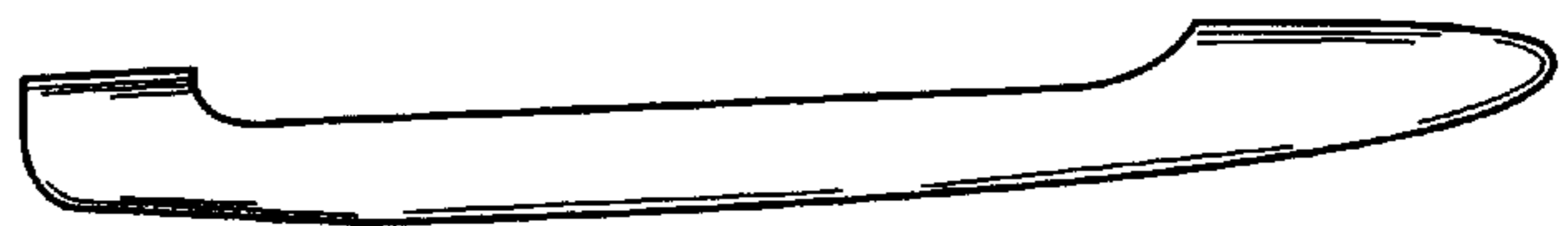


FIG. 4

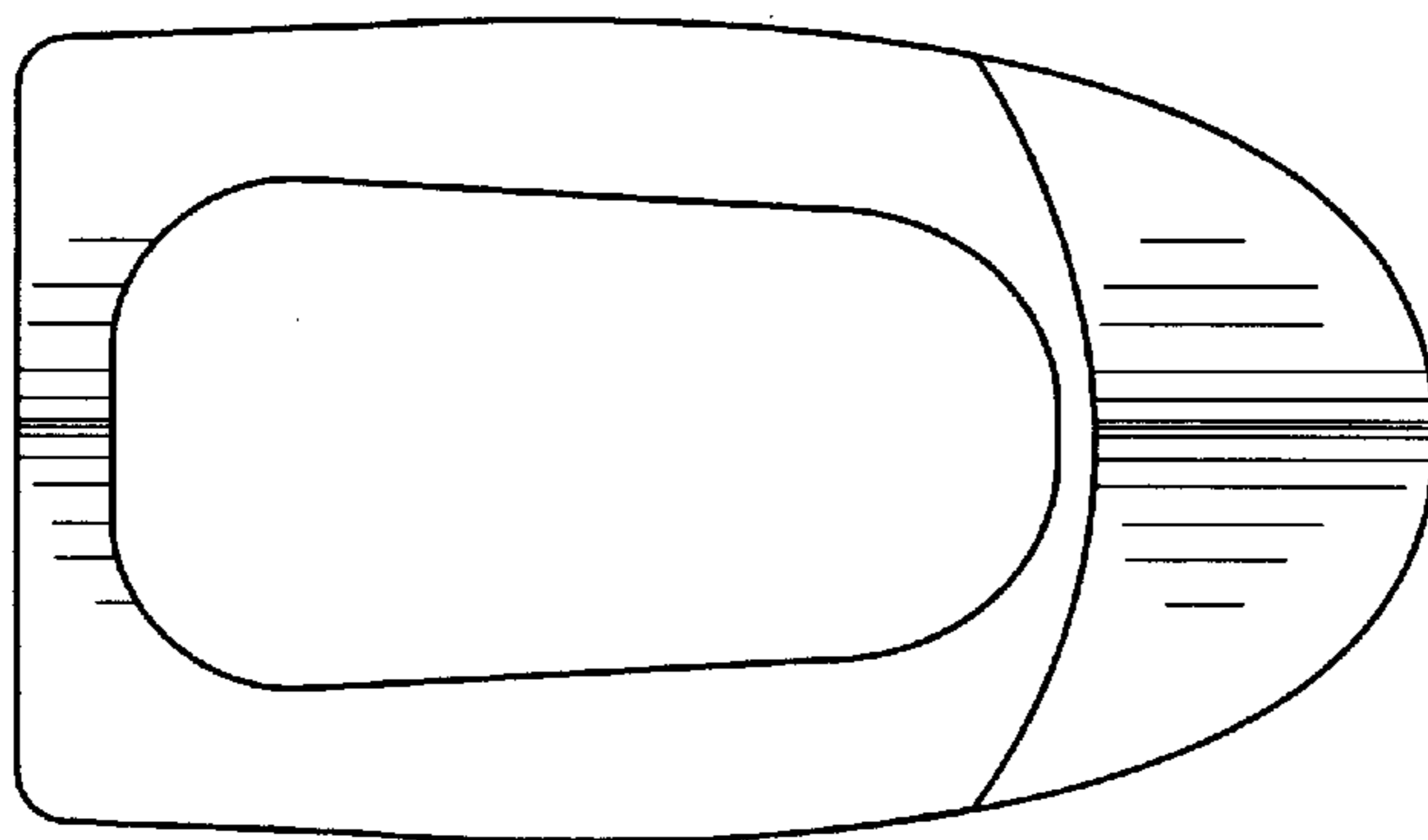
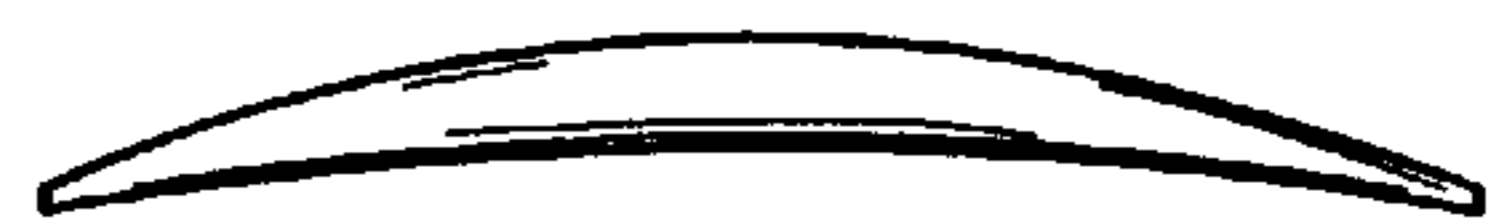


FIG. 5

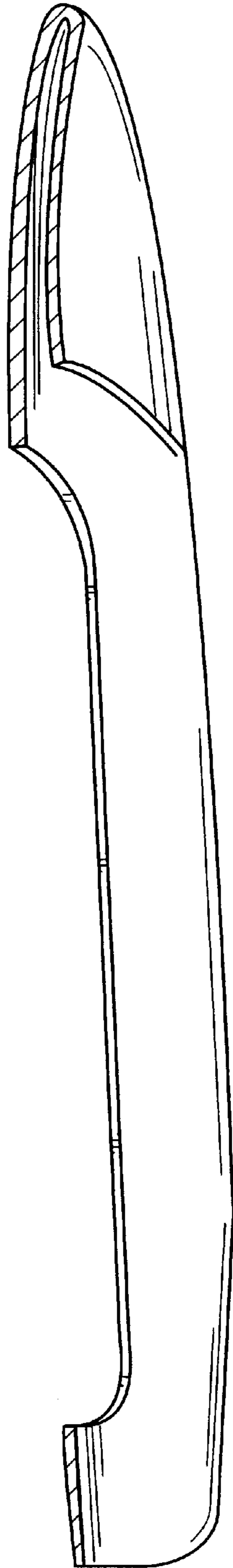


FIG. 6