



US00D443387S

(12) **United States Design Patent**
Torres et al.

(10) **Patent No.:** **US D443,387 S**

(45) **Date of Patent:** **** Jun. 5, 2001**

(54) **CIGARETTE LIGHTER CLIP**

(76) Inventors: **David Torres**, 6100 Meadowhill Dr.;
Martin Moberly, 4311 Martin Pkwy.,
both of Colleyville, TX (US) 76034

(**) Term: **14 Years**

(21) Appl. No.: **29/122,429**

(22) Filed: **Apr. 27, 2000**

(51) **LOC (7) Cl.** **27-05**

(52) **U.S. Cl.** **D27/161**

(58) **Field of Search** D27/161, 172,
D27/183, 144; 206/85, 86, 87, 88, 89, 102,
236; 431/253

4,385,689	5/1983	Olazabal	206/87
4,486,169	12/1984	Lewis	206/85
4,579,222	4/1986	Olazabal	206/87
4,588,076	5/1986	Caputo et al.	206/86
4,750,613	6/1988	Kopp	206/87
4,765,459	8/1988	Edwards	206/38.1
4,844,254	7/1989	Jang	206/236
4,852,729	8/1989	Conte	206/86
5,088,684	2/1992	Torras et al.	248/682
5,277,315	1/1994	Plein	206/270
5,409,374	4/1995	Liard	431/253
5,740,905	4/1998	Kilfooy	206/87
5,746,587	5/1998	Racine et al.	431/253
5,788,479	8/1998	Galanos et al.	431/253
5,918,734	7/1999	Devens et al.	206/87

Primary Examiner—Susan J. Lucas
Assistant Examiner—Jennifer Rivard
 (74) *Attorney, Agent, or Firm*—Kenneth C. Hill

(56) **References Cited**
 U.S. PATENT DOCUMENTS

D. 195,731	7/1963	Steppan	D48/27
D. 246,912	1/1978	Adelhardt	D27/51
D. 260,689	9/1981	Storms	D27/37
D. 261,775	11/1981	Valigura	D19/56
D. 267,590	1/1983	Varma	D27/51
D. 273,426	4/1984	Zucker	D27/49
D. 277,034	1/1985	Ramsdell	D27/48
D. 298,781	12/1988	Thomas	D3/103
D. 303,159	8/1989	Heath	D27/172
D. 313,085	12/1990	Eisenbraun	D27/142
D. 350,216	8/1994	Heaton	D27/144
D. 372,333	7/1996	Pearson	D27/144
D. 402,400	12/1998	Pausinger	D27/161
3,057,180	10/1962	Steppan	67/7.1
3,968,874	7/1976	Corey	206/248
3,976,194	8/1976	Loredo	206/87
4,000,812	1/1977	Pisarski et al.	206/87
4,082,496	4/1978	Johnson	431/343
4,176,773	12/1979	Wilkinson	224/205
4,190,148	2/1980	Schade, II et al.	206/89
4,223,784	9/1980	Kaneyasu	206/88
4,230,224	10/1980	Weeks	206/87
4,252,237	2/1981	Baclit	206/86
4,281,761	8/1981	Olazabal	206/87
4,303,154	12/1981	Hicks	206/86
4,363,432	12/1982	Warthen	224/247

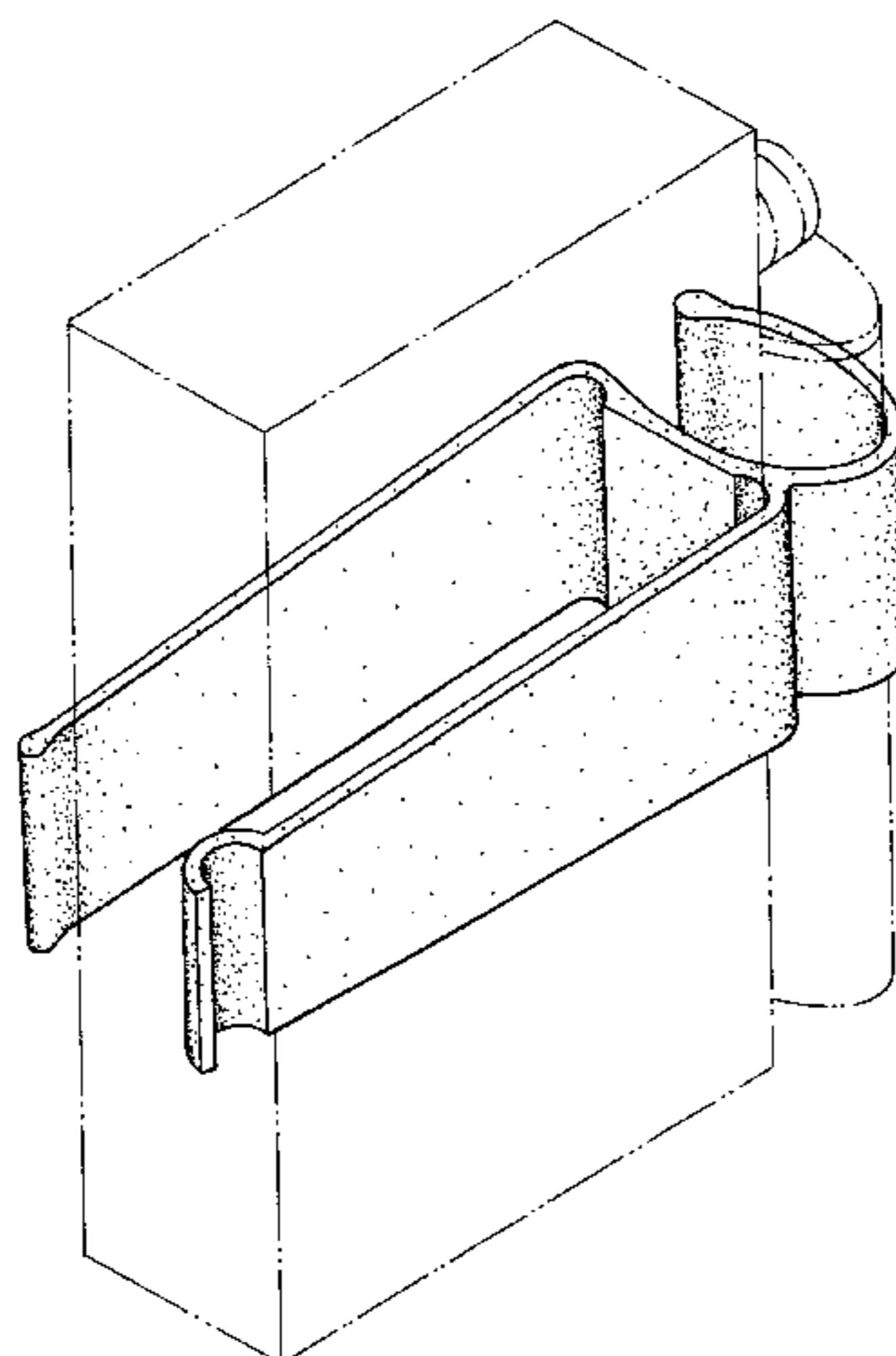
(57) **CLAIM**

The ornamental design for a cigarette lighter clip, as shown and described.

DESCRIPTION

FIG. 1 is a front perspective view of a cigarette lighter clip according to the present invention;
 FIG. 2 is a back view of the cigarette lighter clip of FIG. 1;
 FIG. 3 is a left side view of the cigarette lighter clip of FIG. 1;
 FIG. 4 is a right side view of the cigarette lighter clip of FIG. 1;
 FIG. 5 is a top view of the cigarette lighter clip of FIG. 1, and the bottom side view is a mirror image thereof;
 FIG. 6 is a front perspective view of a first alternative embodiment of a cigarette lighter clip according to the present invention; and,
 FIG. 7 is a front perspective view of a second alternative embodiment of a cigarette lighter clip according to the present invention.
 Portions of the drawings shown in phantom are for illustrative purposes only and do not form any part of the invention.

1 Claim, 3 Drawing Sheets



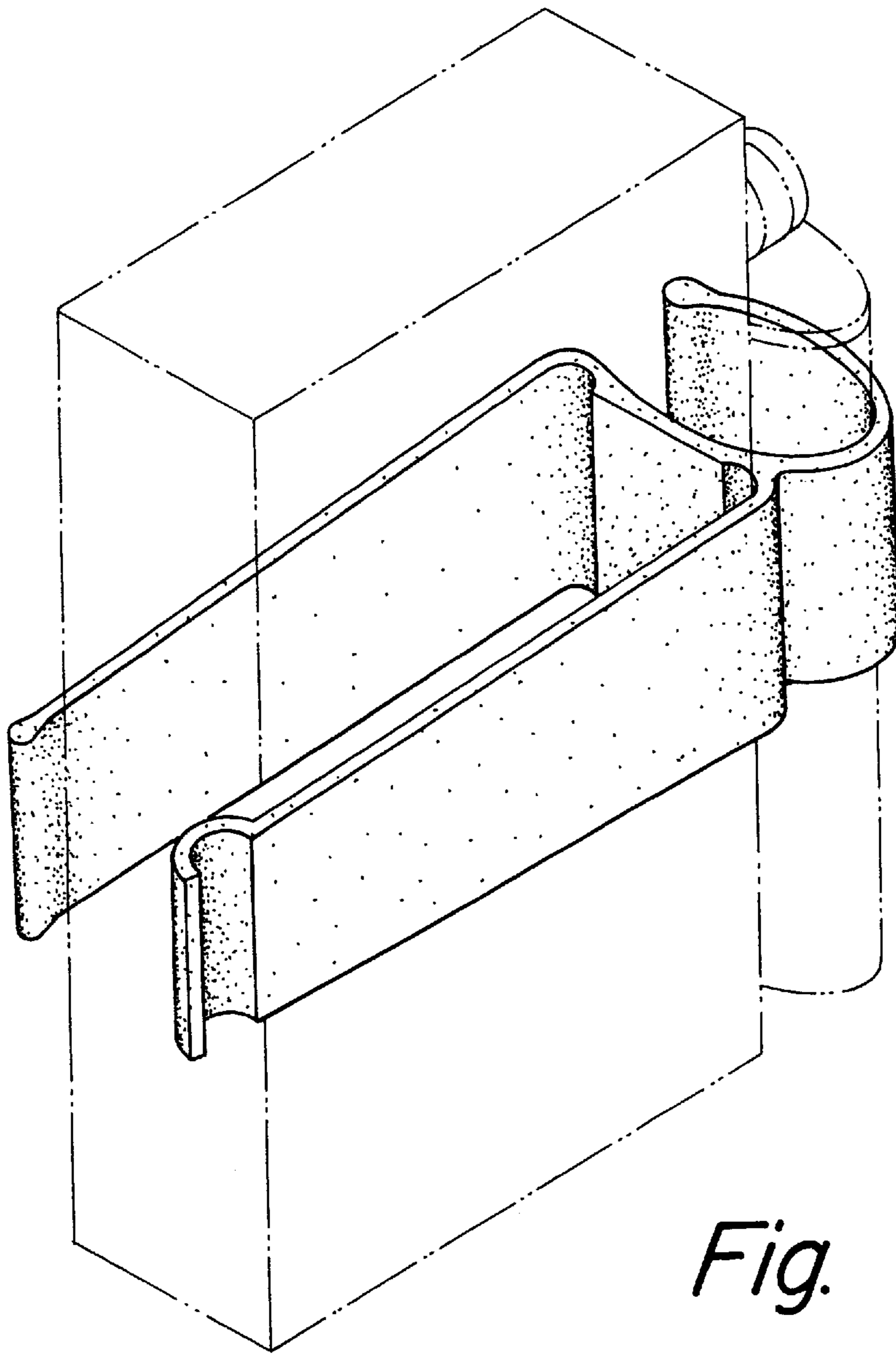


Fig. 1

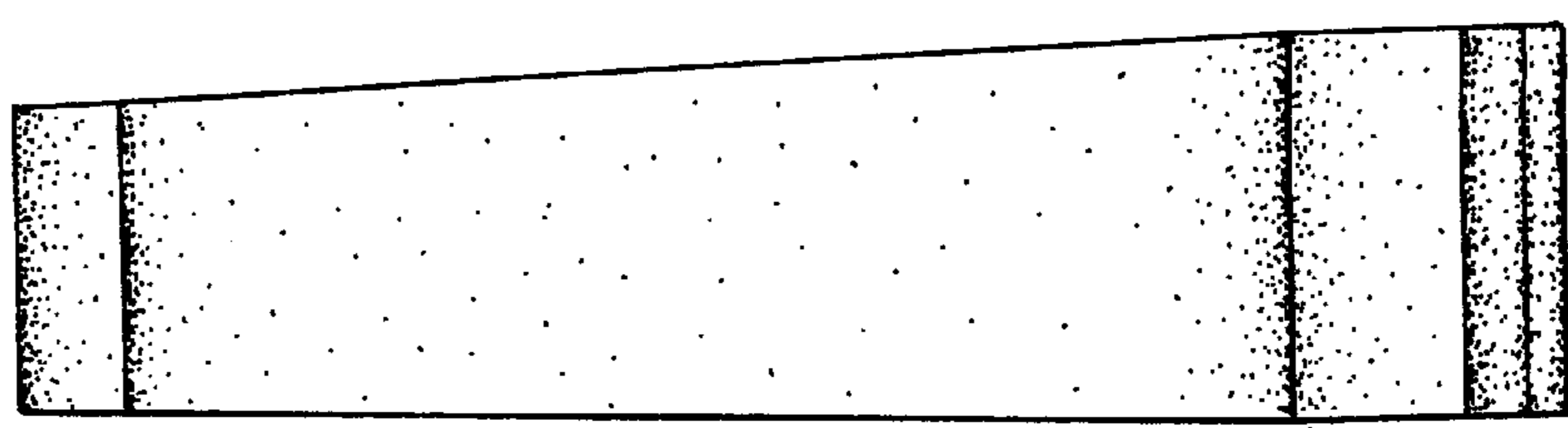


Fig. 2

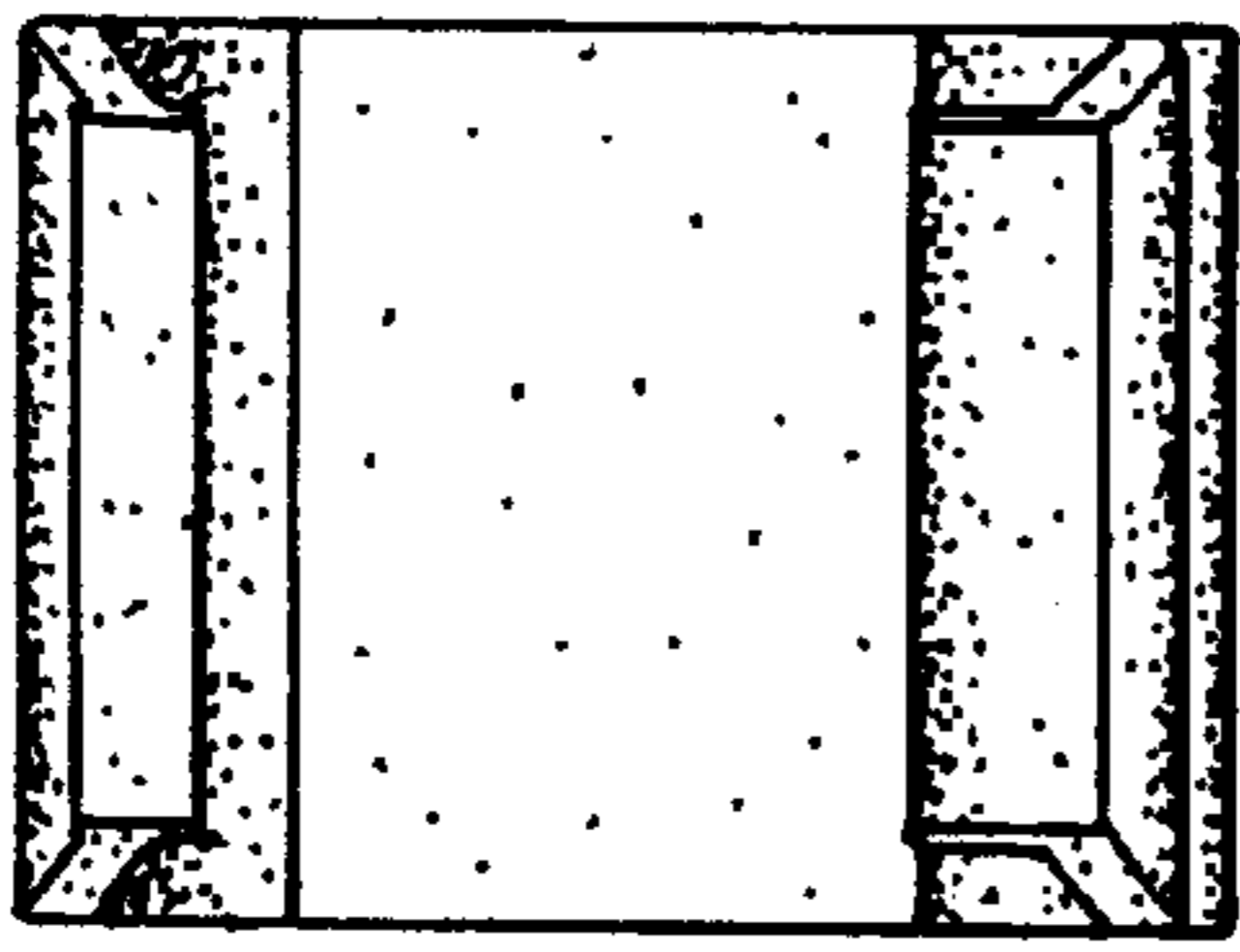


Fig. 3

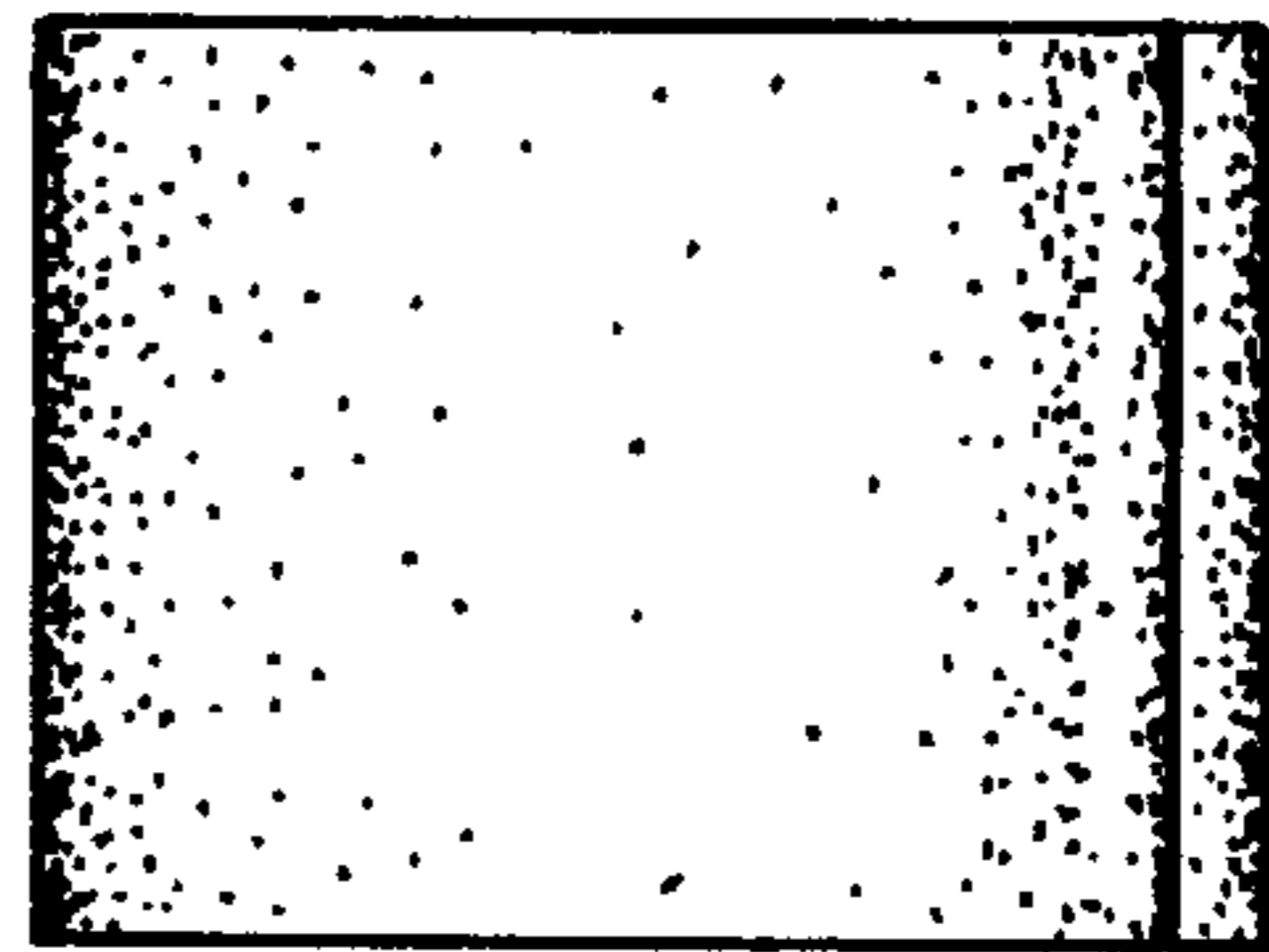


Fig. 4

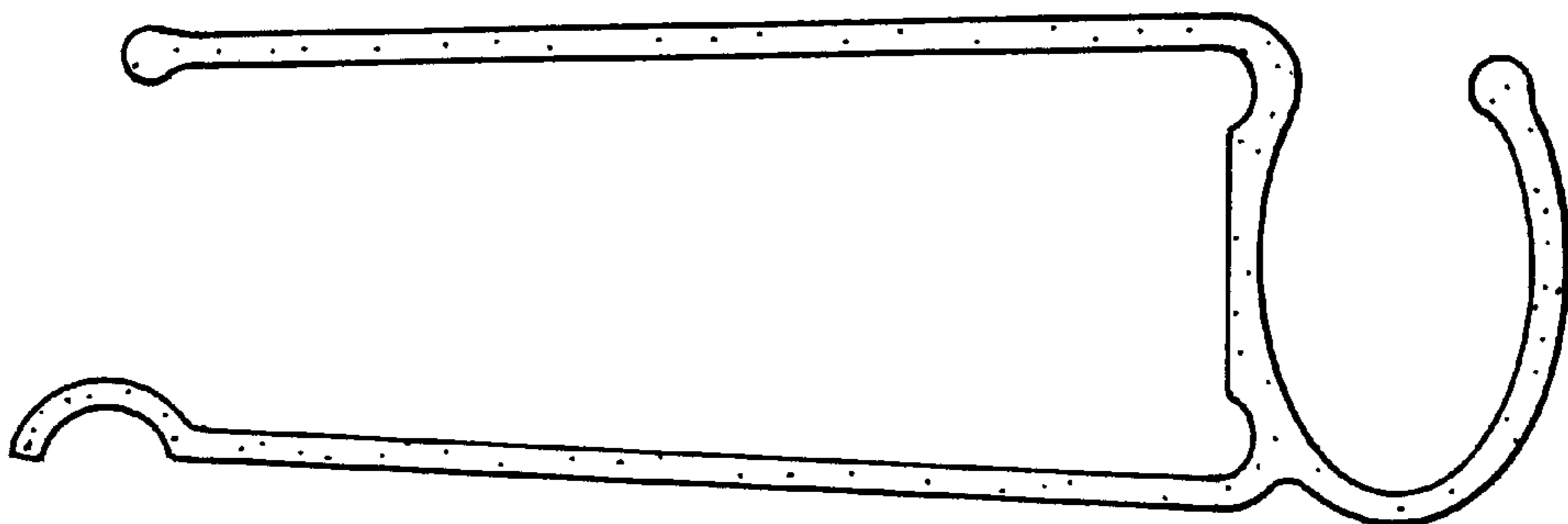


Fig. 5

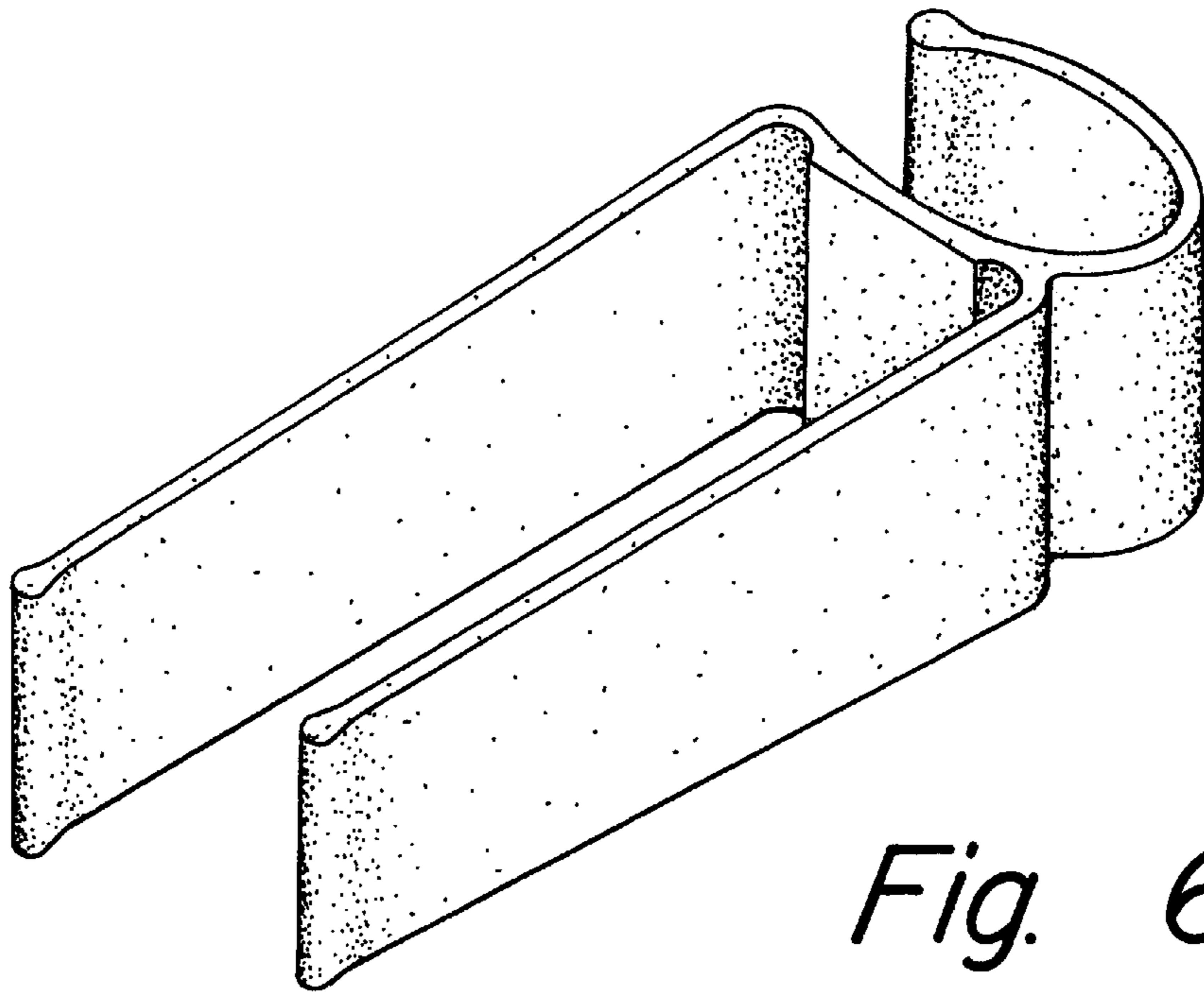


Fig. 6

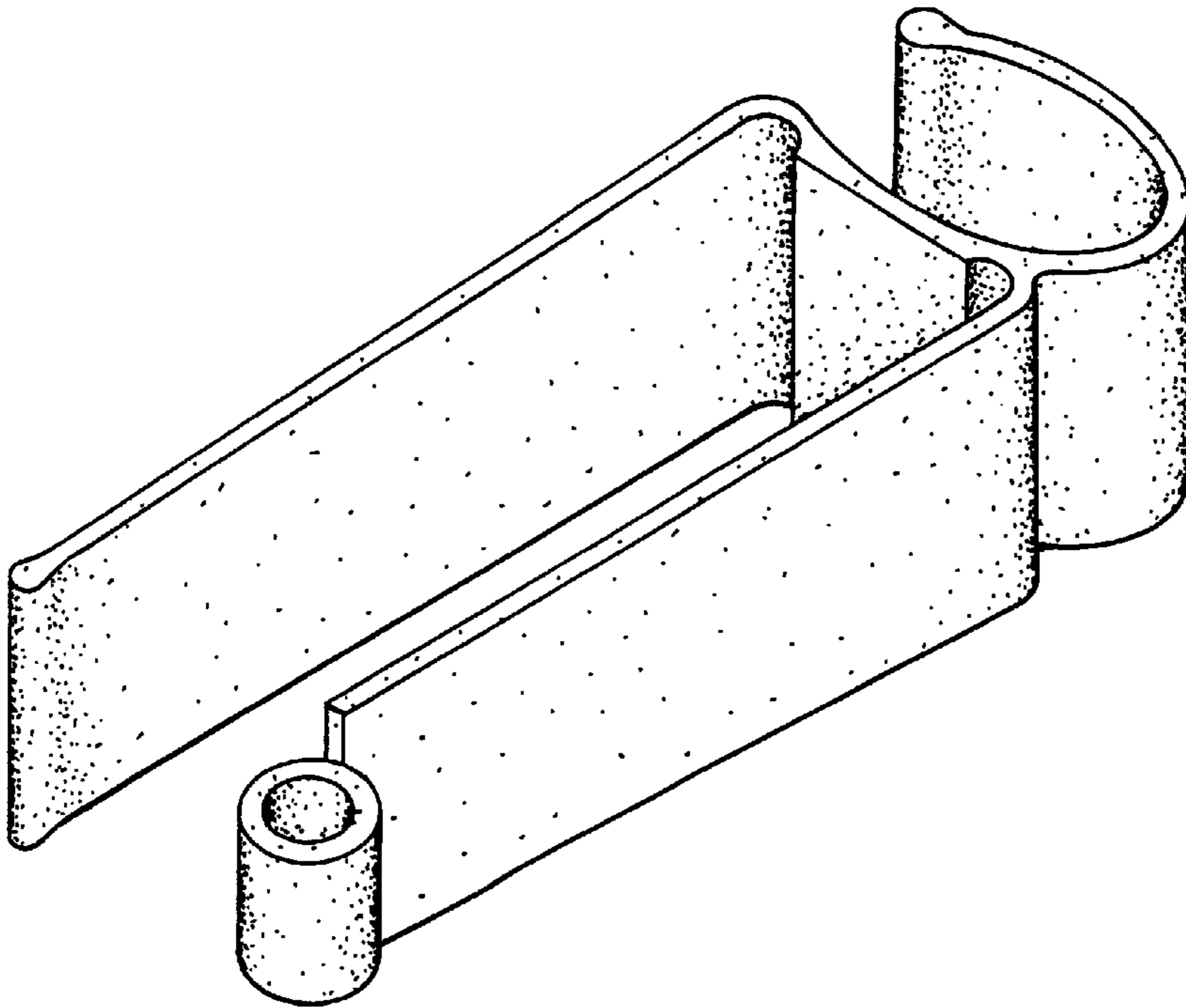


Fig. 7