



US00D443386S

(12) **United States Design Patent**
Minagawa et al.

(10) **Patent No.:** **US D443,386 S**

(45) **Date of Patent:** **** Jun. 5, 2001**

(54) **HEATER**

(75) Inventors: **Shozo Minagawa**, Tokyo (JP); **Charles T. Higgins**, Richmond, VA (US); **Seiichi Kawakami**, Hyogo (JP)

(73) Assignee: **Philip Morris Incorporated**, New York, NY (US)

(**) Term: **14 Years**

(21) Appl. No.: **29/120,164**

(22) Filed: **Mar. 16, 2000**

(51) **LOC (7) Cl.** **27-05**

(52) **U.S. Cl.** **D27/161**

(58) **Field of Search** D27/139, 141, D27/154, 161; 431/151, 277, 131, 132

(56) **References Cited**

U.S. PATENT DOCUMENTS

D. 434,179 * 11/2000 Yang D27/161

* cited by examiner

Primary Examiner—Susan J. Lucas

Assistant Examiner—Jennifer Rivard

(74) *Attorney, Agent, or Firm*—Burns, Doane, Swecker & Mathis, LLP

(57) **CLAIM**

The ornamental design for a heater, as shown and described.

DESCRIPTION

FIG. 1 is a top, front perspective view of a heater showing our new design;

FIG. 2 is a front elevational view thereof;

FIG. 3 is a rear elevational view thereof;

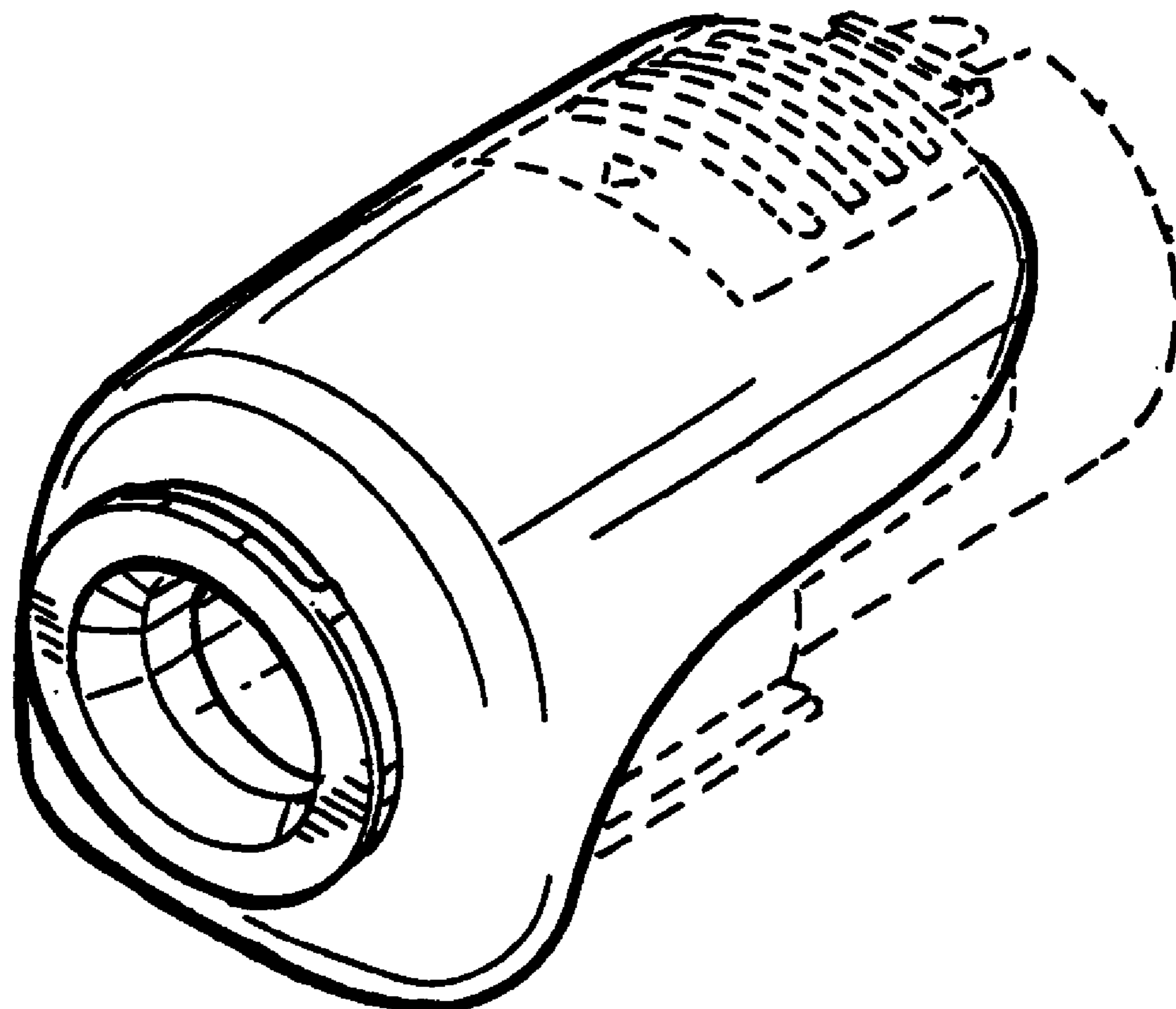
FIG. 4 is a side elevational view thereof; the other side being the mirror image thereof;

FIG. 5 is a top plan view thereof; and,

FIG. 6 is a bottom plan view thereof.

The broken line showing of various feaures of the heater is for illustration purposes only and forms no part of the claimed design.

1 Claim, 1 Drawing Sheet



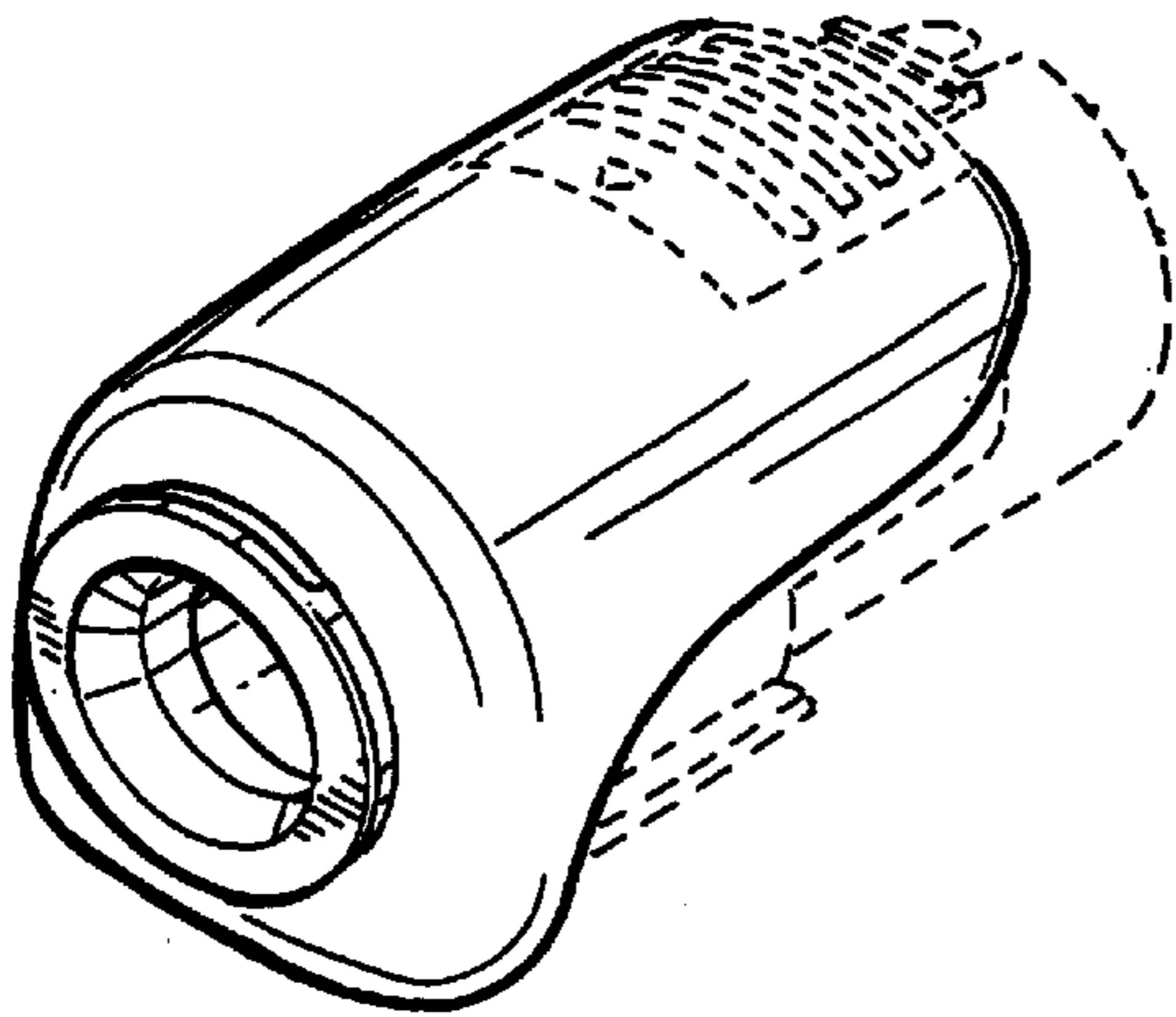


FIG. 1

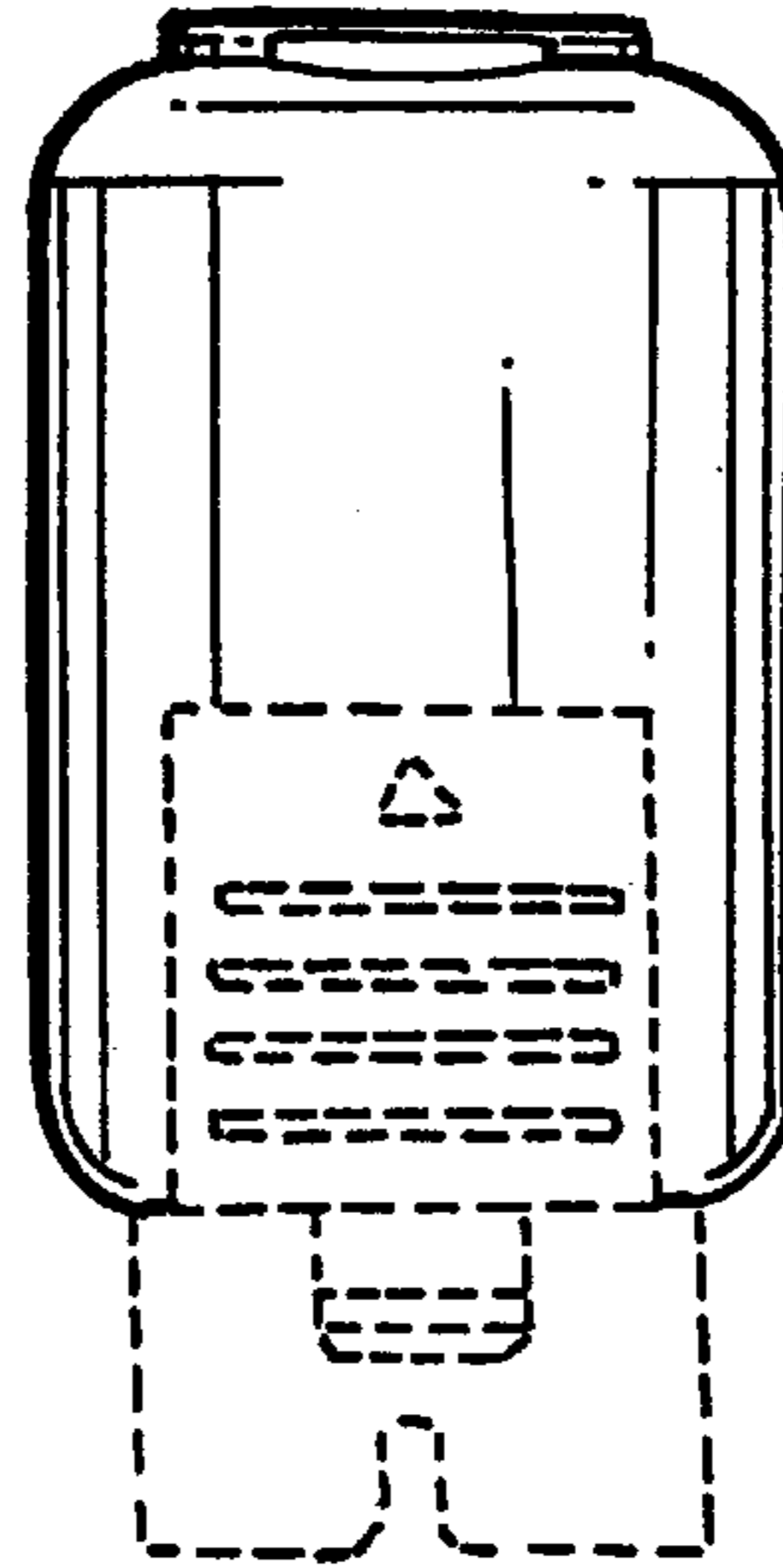


FIG. 2

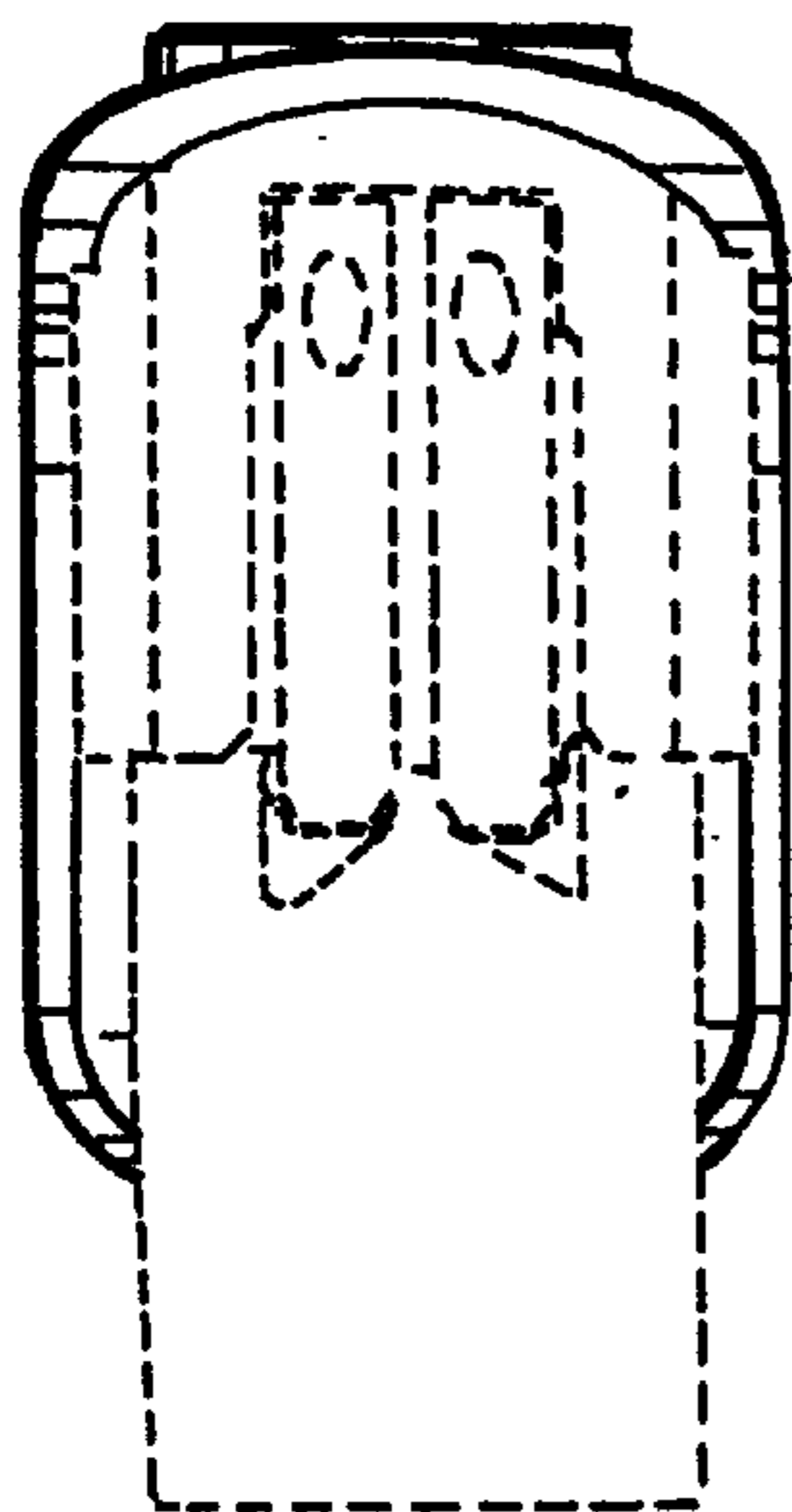


FIG. 3

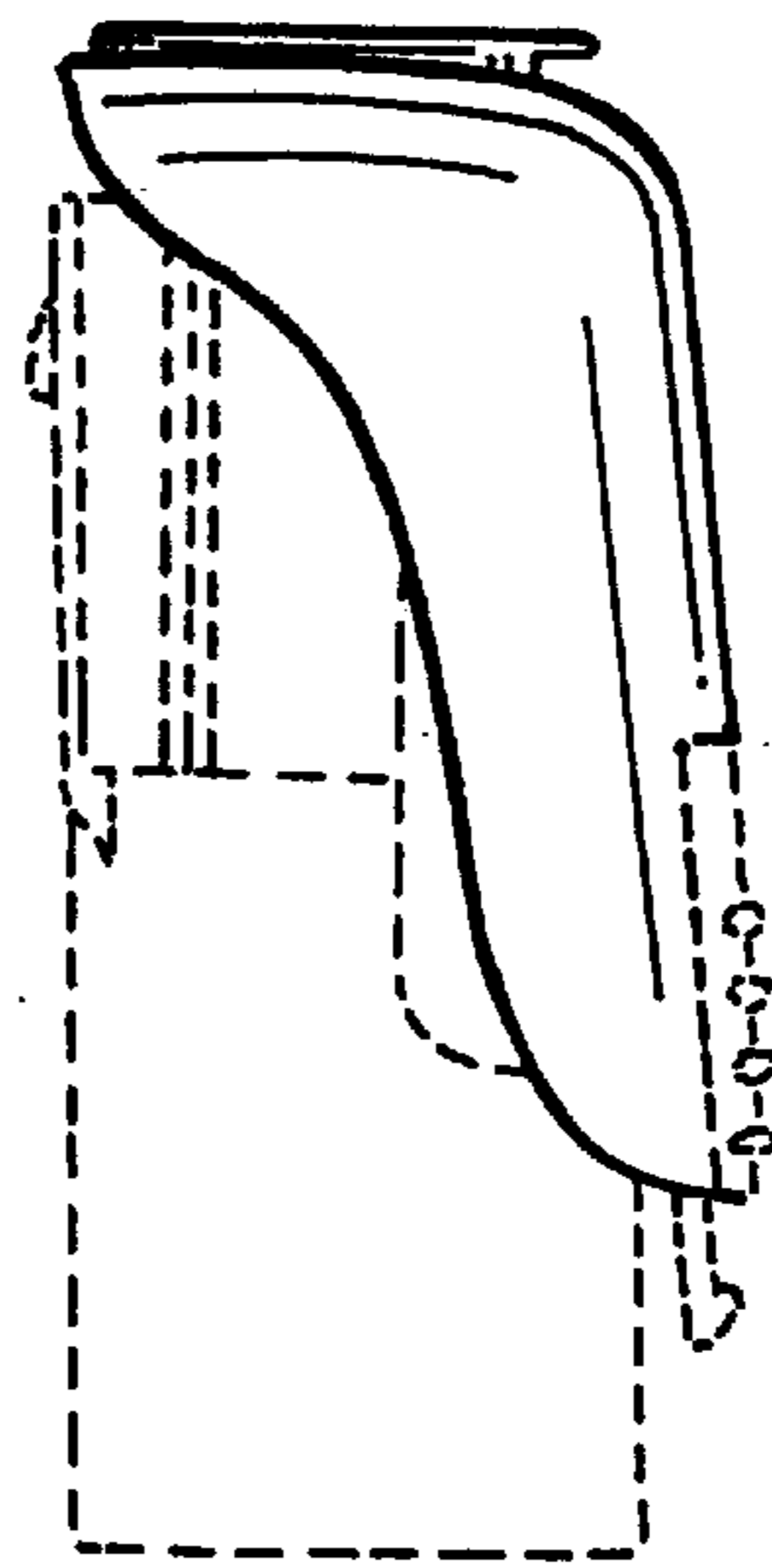


FIG. 4

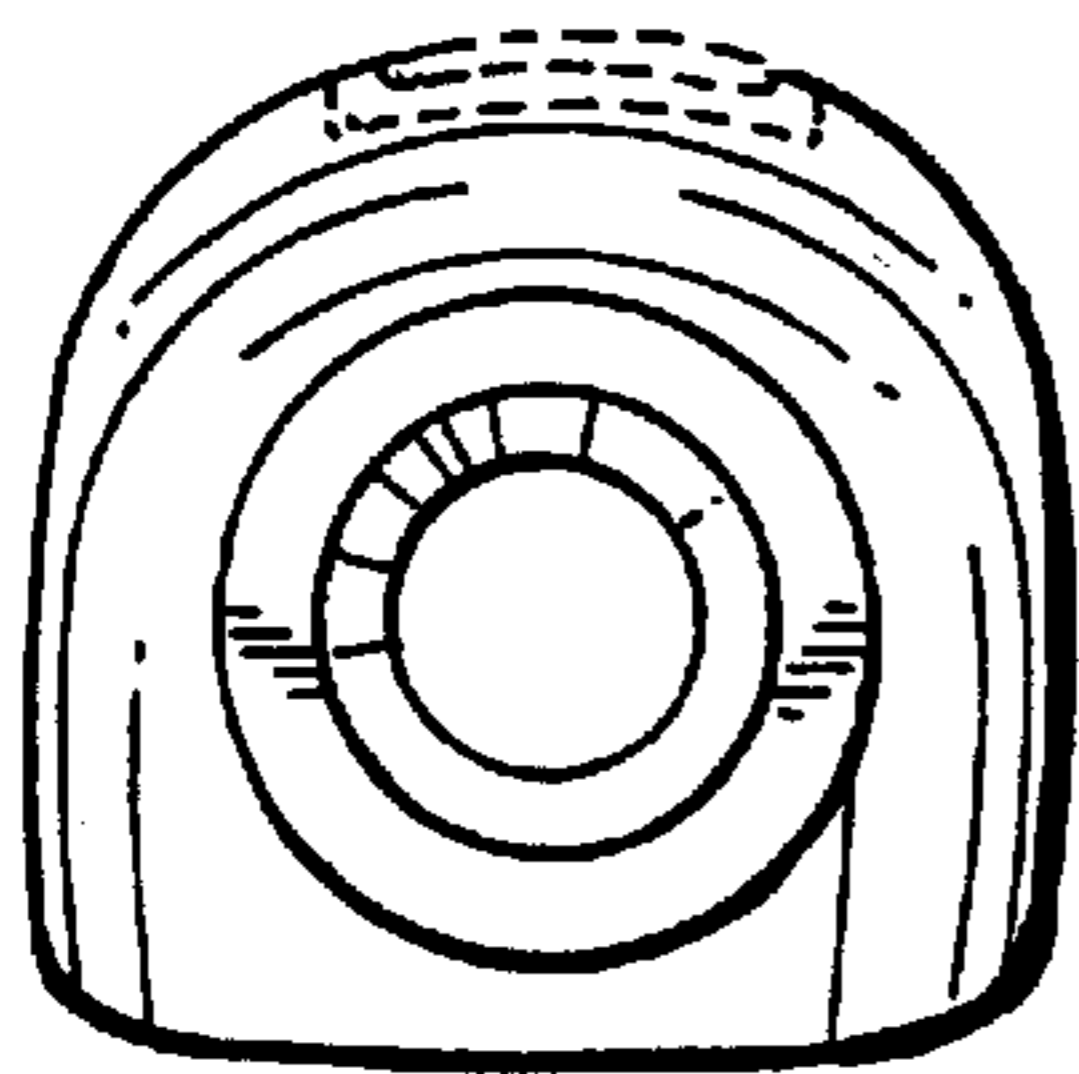


FIG. 5

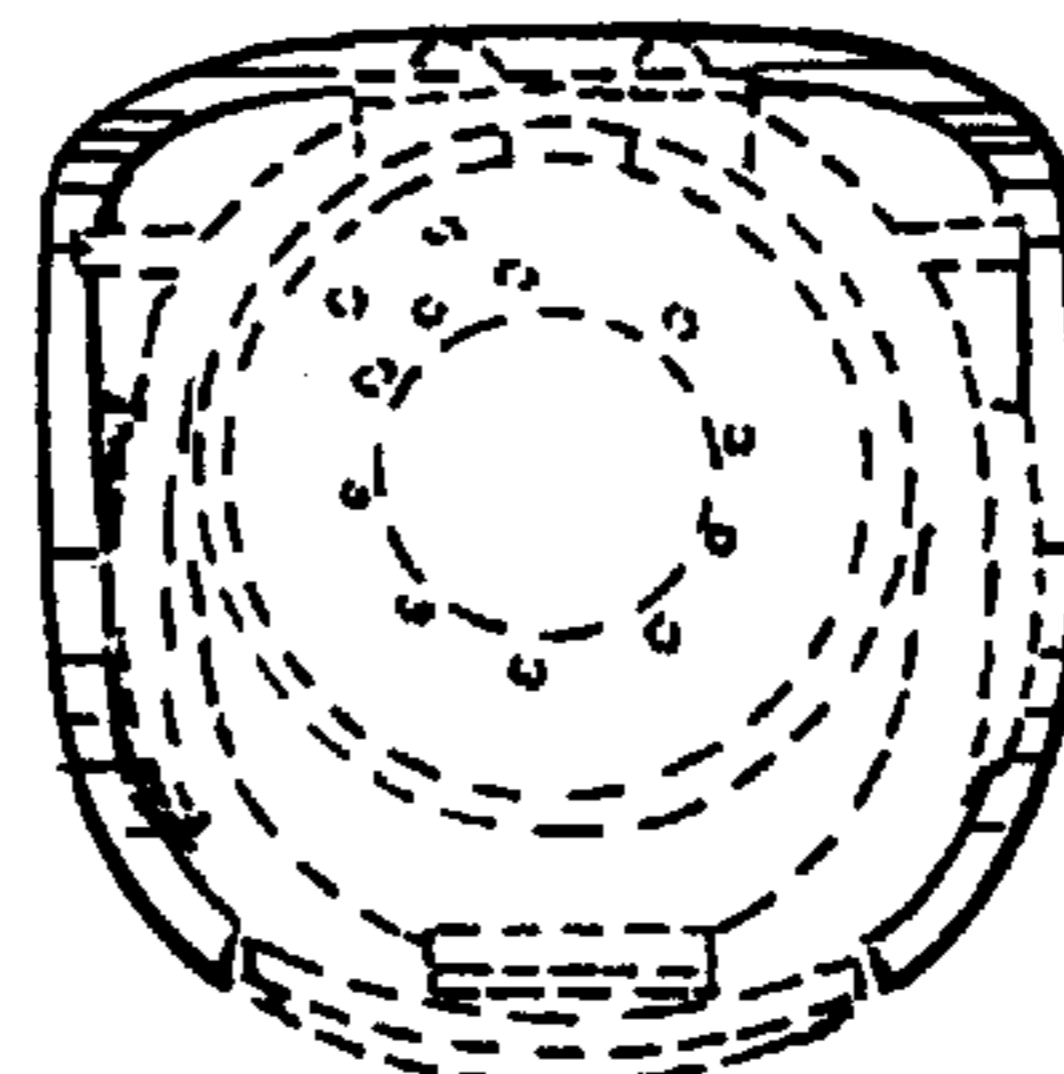


FIG. 6