



US00D443384S

(12) **United States Design Patent**
Vonner, II

(10) **Patent No.:** **US D443,384 S**

(45) **Date of Patent:** **** Jun. 5, 2001**

(54) **LAMP**

(75) Inventor: **David A. Vonner, II**, Pleasantville, NJ
(US)

(73) Assignee: **Spencer Gifts, Inc.**, Egg Harbor
Township, NJ (US)

(**) Term: **14 Years**

(21) Appl. No.: **29/128,280**

(22) Filed: **Aug. 21, 2000**

Related U.S. Application Data

(63) Continuation-in-part of application No. 29/118,874, filed on
Feb. 18, 2000, now Pat. No. Des. 438,666.

(51) **LOC (7) Cl.** **26-03**

(52) **U.S. Cl.** **D26/99**

(58) **Field of Search** D26/94, 98, 99;
362/410, 806, 808; D11/128, 16 D

(56) **References Cited**

U.S. PATENT DOCUMENTS

- D. 81,233 5/1930 Gosling .
- D. 347,904 6/1994 Swanson .
- D. 381,759 7/1997 Yeh .
- D. 385,641 10/1997 Chan .

OTHER PUBLICATIONS

“Lite Source Inc.” Advertisement from “Home Lighting &
Accessories”—Jun. 1997, p. 213.

Primary Examiner—Lisa Lichtenstein

(74) *Attorney, Agent, or Firm*—Akin, Gump, Strauss,
Hauer & Feld, L.L.P.

(57) **CLAIM**

The ornamental design for a lamp, as shown.

DESCRIPTION

FIG. 1 is a front elevational view of a lamp in accordance with a first embodiment of my new design;
 FIG. 2 is a rear elevational view thereof;
 FIG. 3 is a right side elevational view thereof;
 FIG. 4 is a left side elevational view thereof;
 FIG. 5 is a top plan view thereof;
 FIG. 6 is a bottom plan view thereof;
 FIG. 7 is a front elevational view of a lamp in alternate position;
 FIG. 8 is a rear elevational view of FIG. 7;
 FIG. 9 is a right side elevational view of FIG. 7;
 FIG. 10 is a left side elevational view of FIG. 7;
 FIG. 11 is a top plane view of FIG. 7;
 FIG. 12 is a bottom plane view of FIG. 7;
 FIG. 13 is a front elevational view of a lamp in another alternate position;
 FIG. 14 is a rear elevational view of FIG. 13;
 FIG. 15 is a right side elevational view of FIG. 13;
 FIG. 16 is a left side elevational view of FIG. 13;
 FIG. 17 is a top plane view of FIG. 13; and,
 FIG. 18 is a bottom plane view of FIG. 13.

The broken line showing of environmental structure in FIGS. 1–18 is for illustrative purposes only and forms no part of the claimed design.

1 Claim, 15 Drawing Sheets

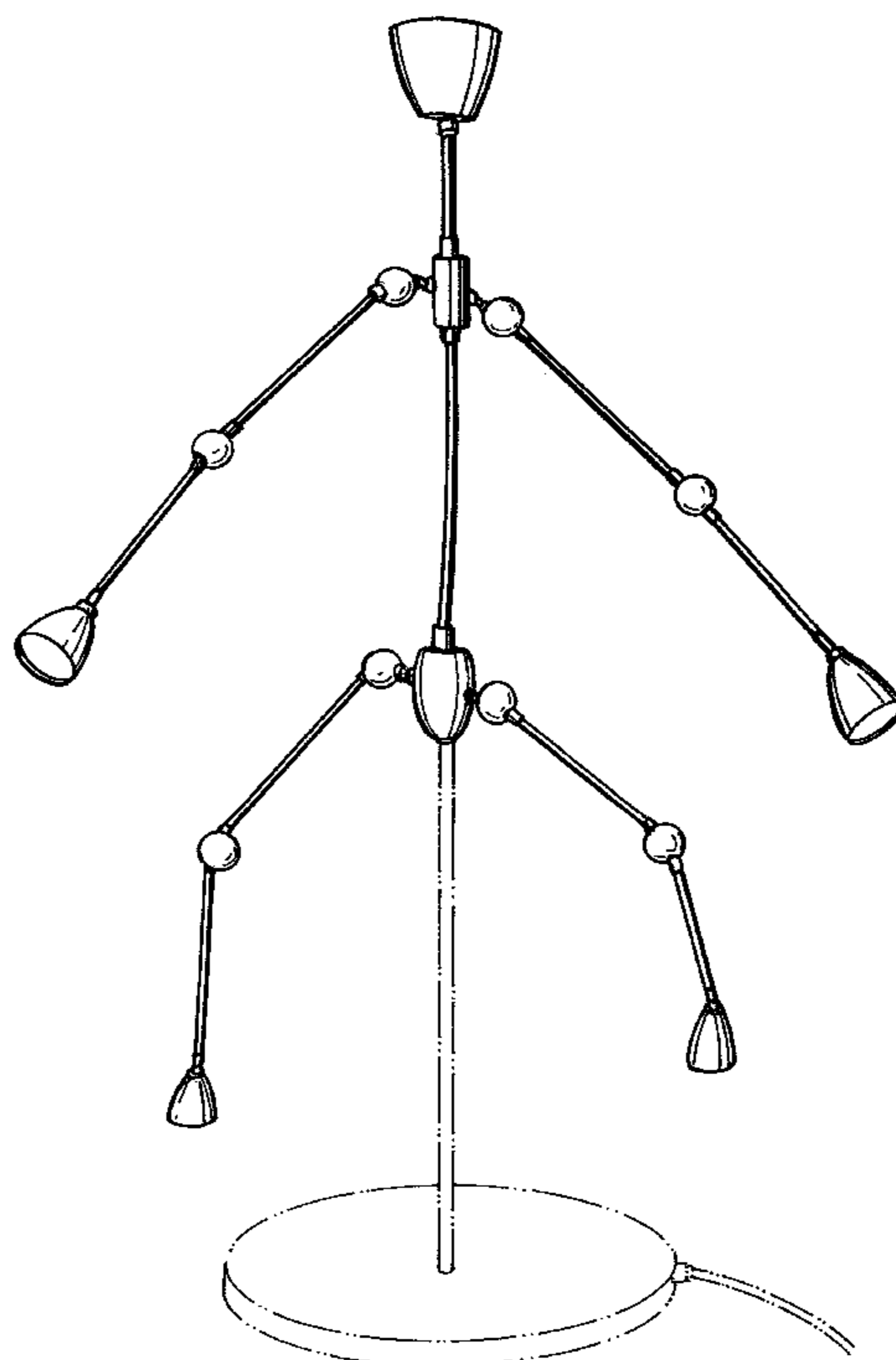


FIG. 1

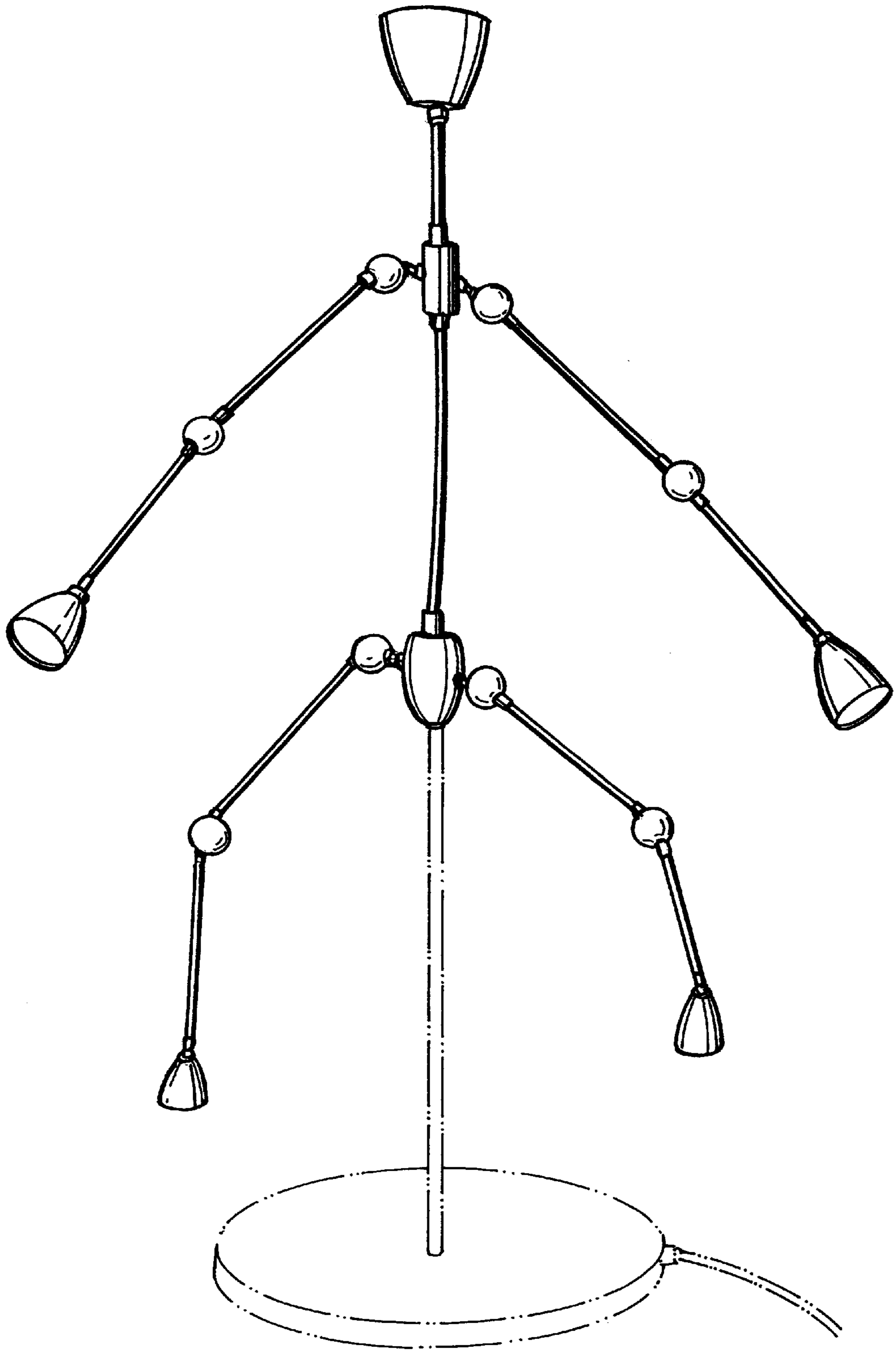


FIG. 2

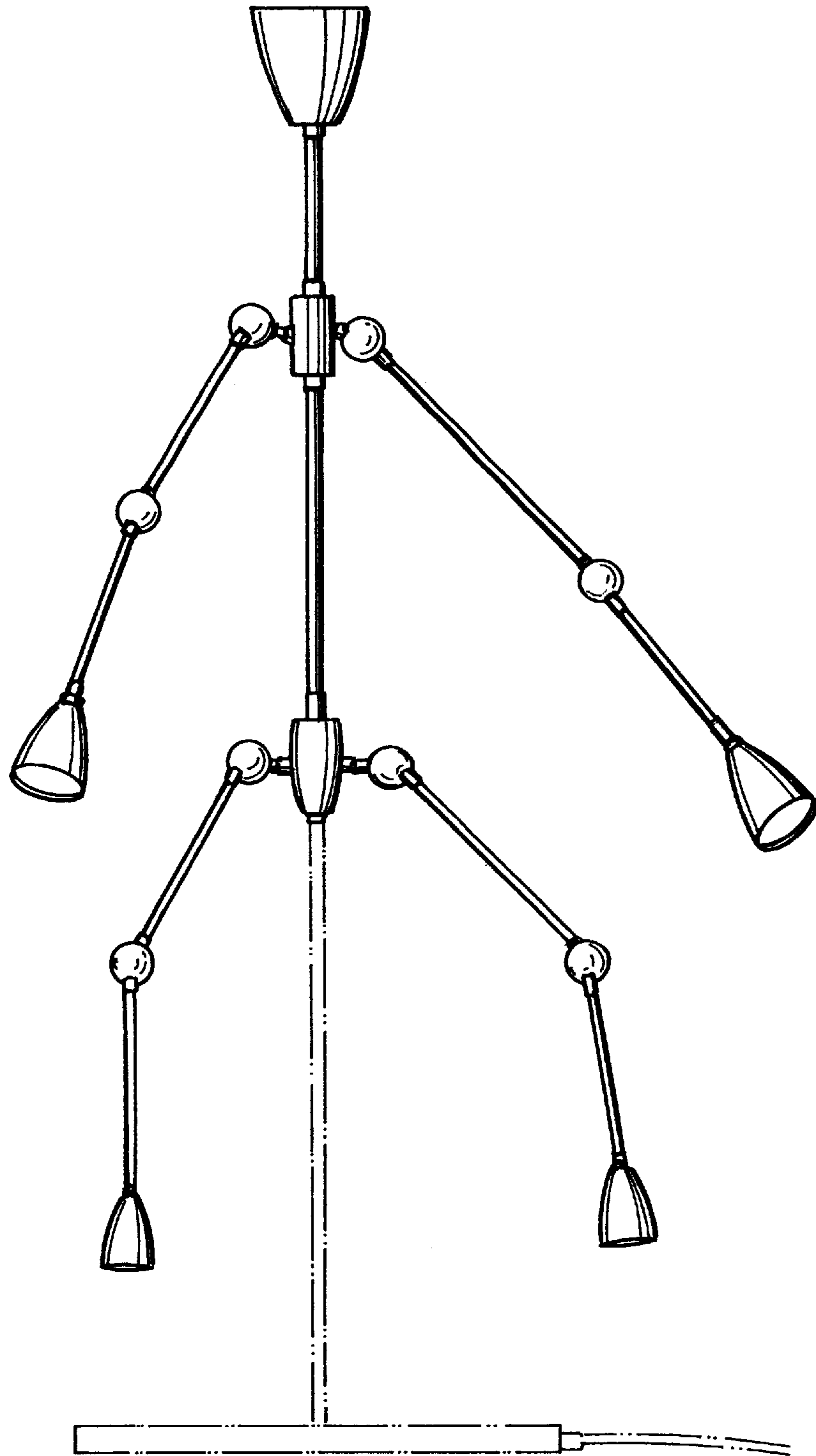


FIG. 3

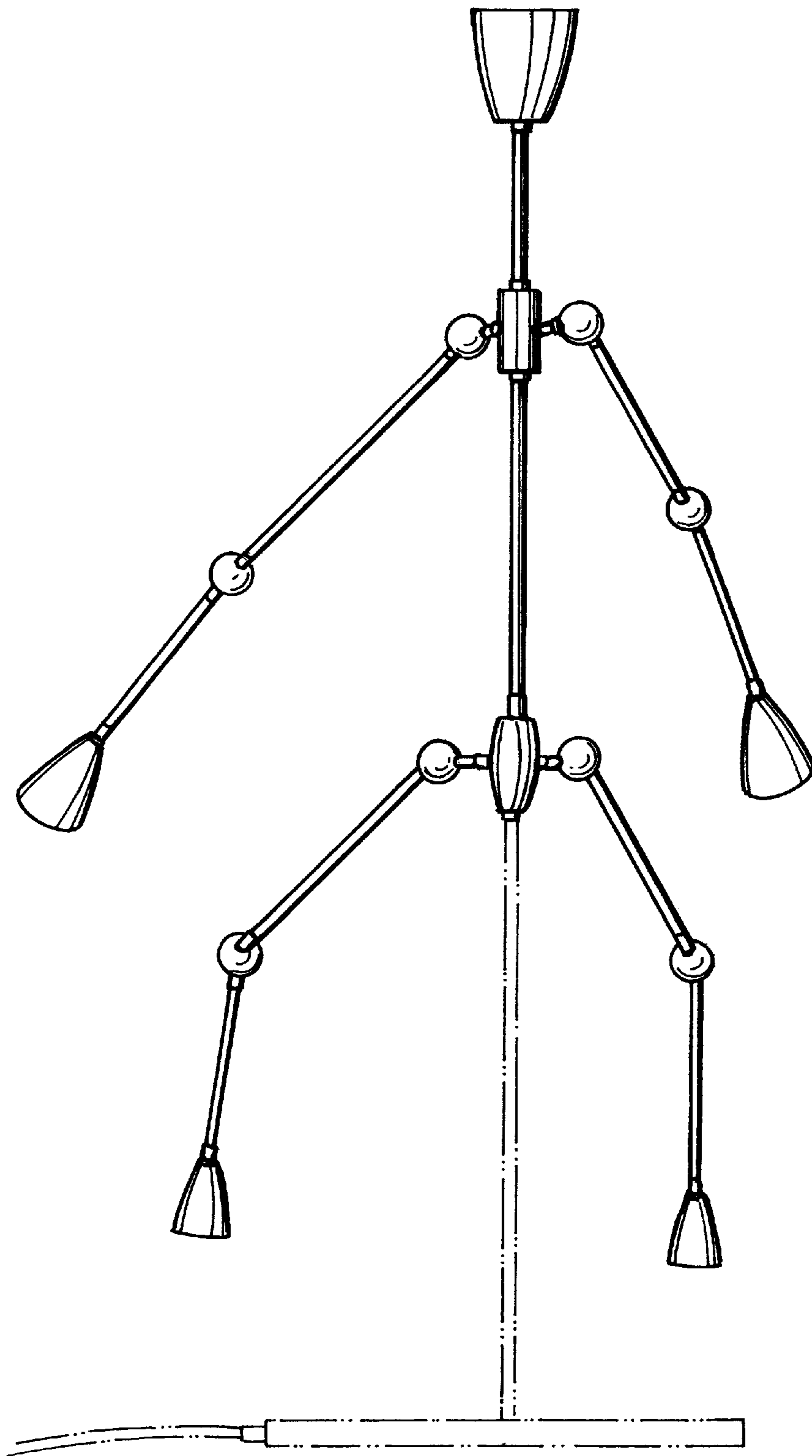


FIG. 4

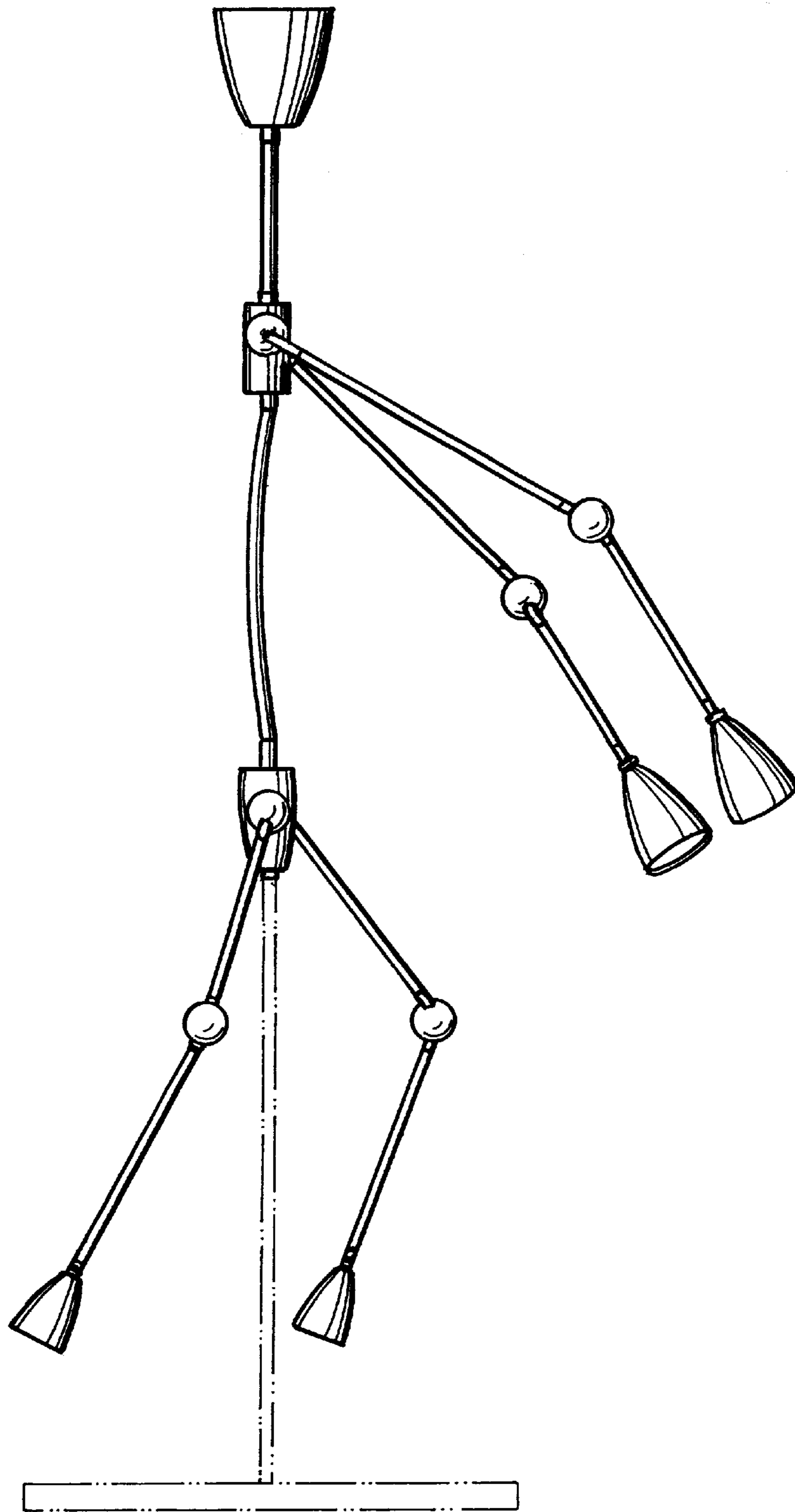


FIG. 5

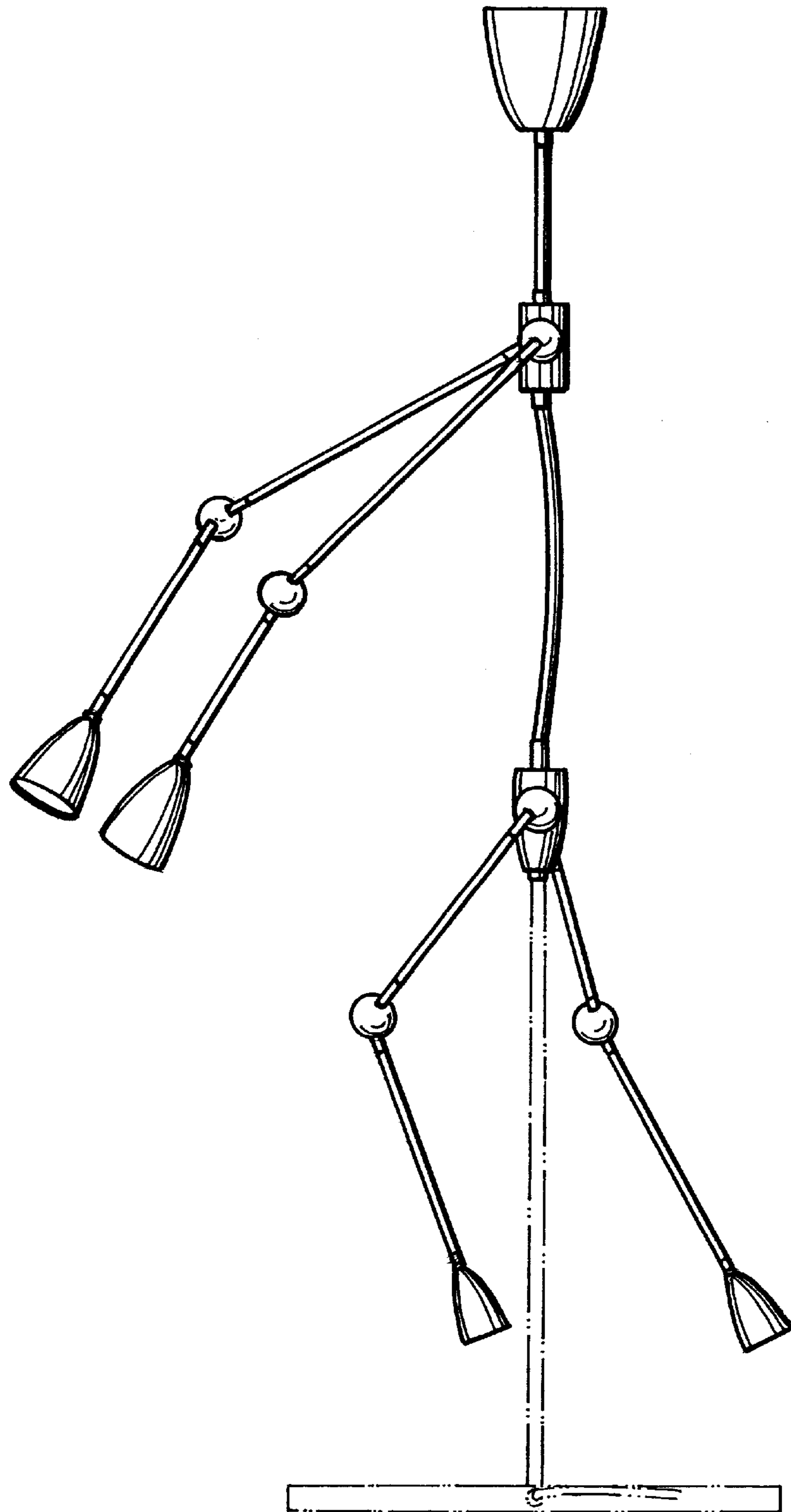


FIG. 6

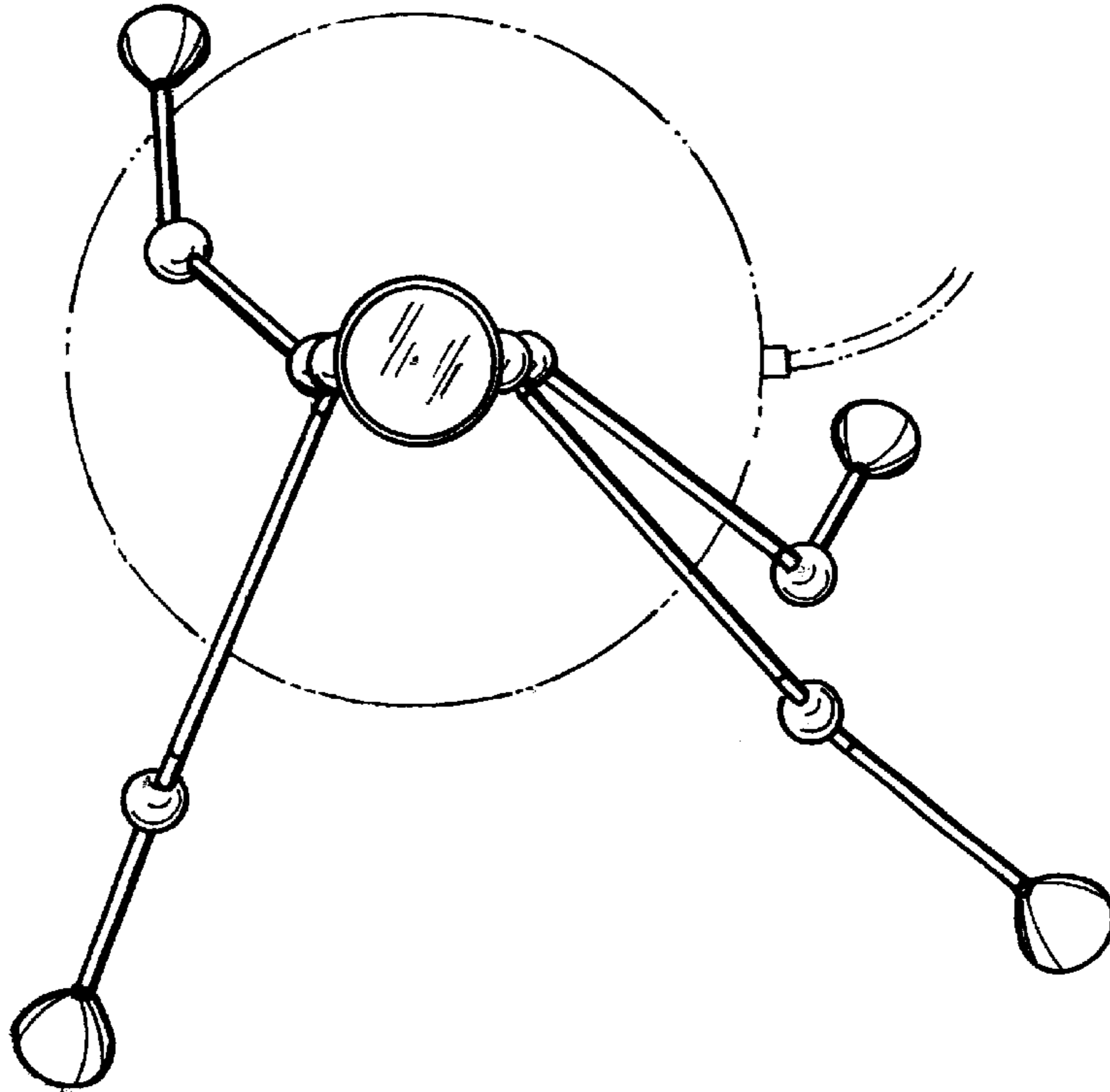


FIG. 7

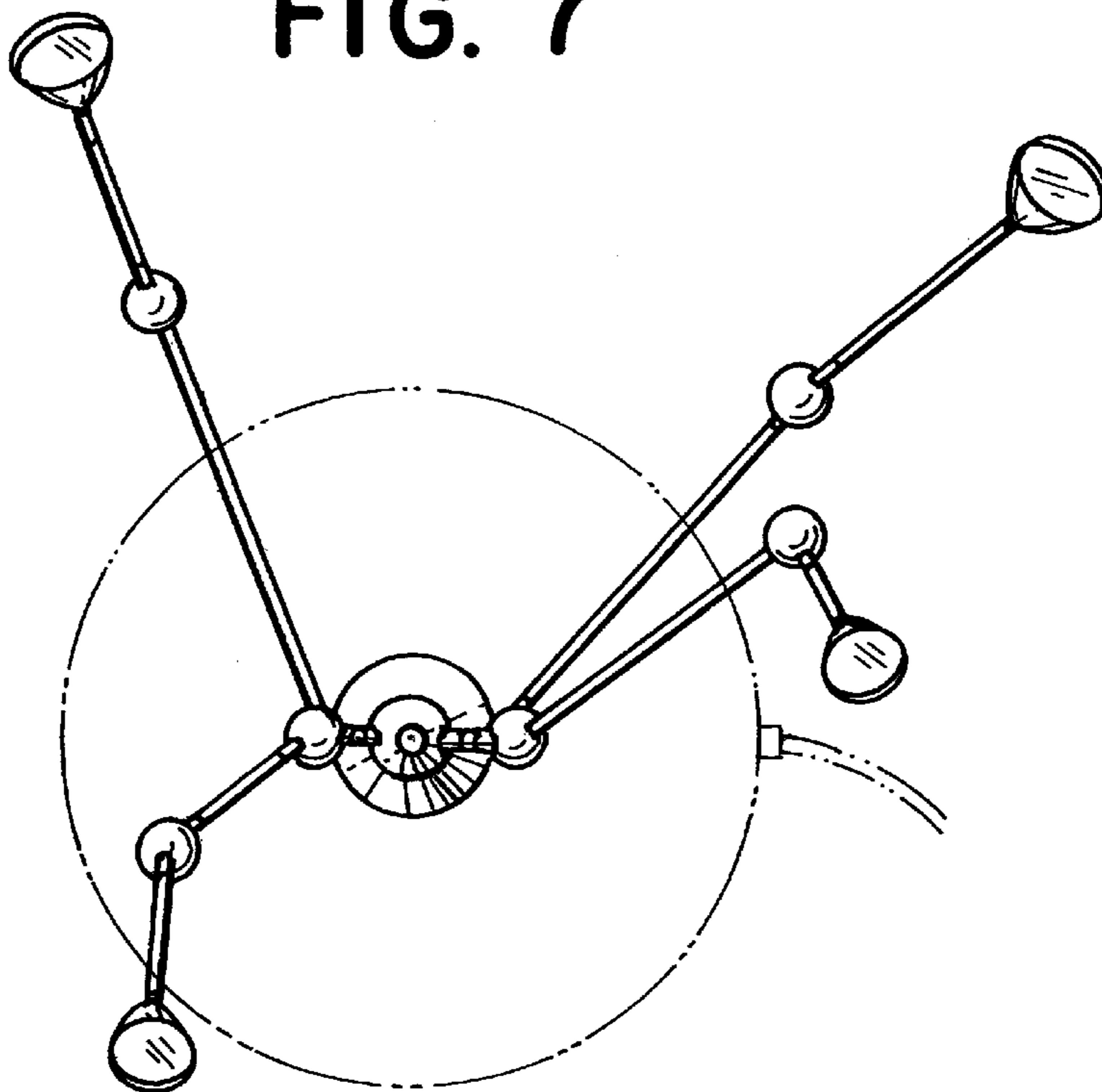
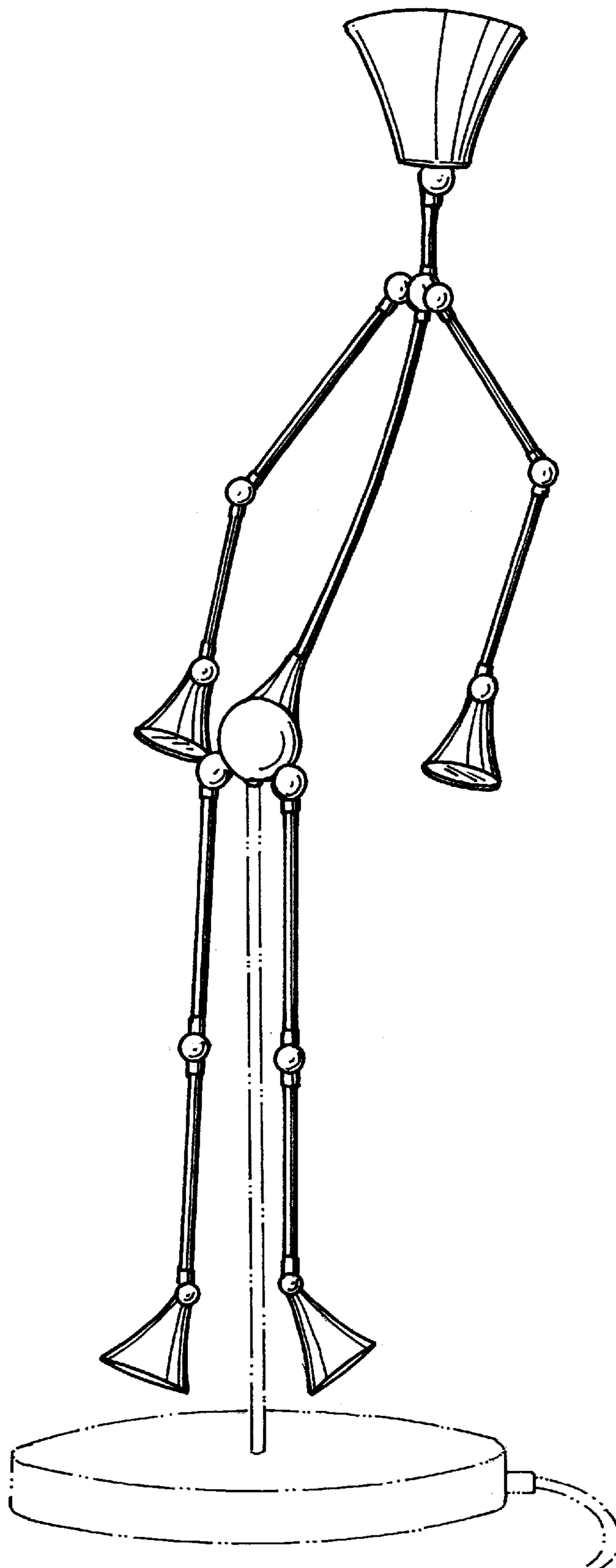


FIG. 8



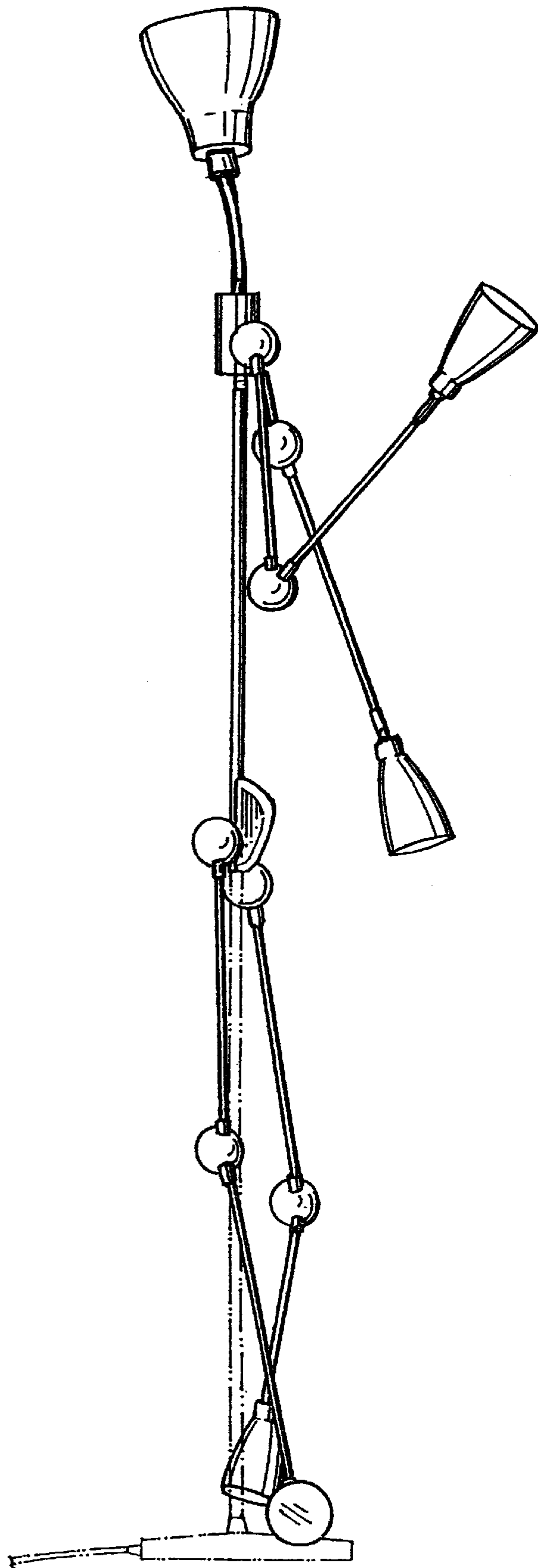


FIG. 9

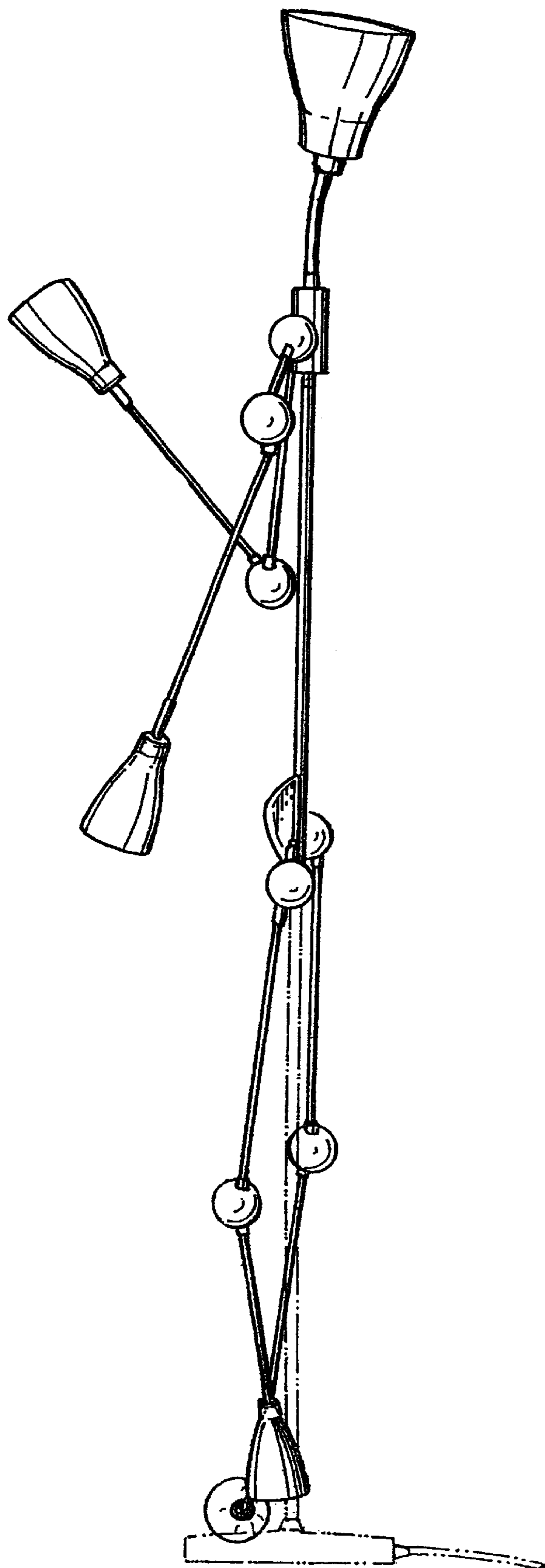


FIG. 10

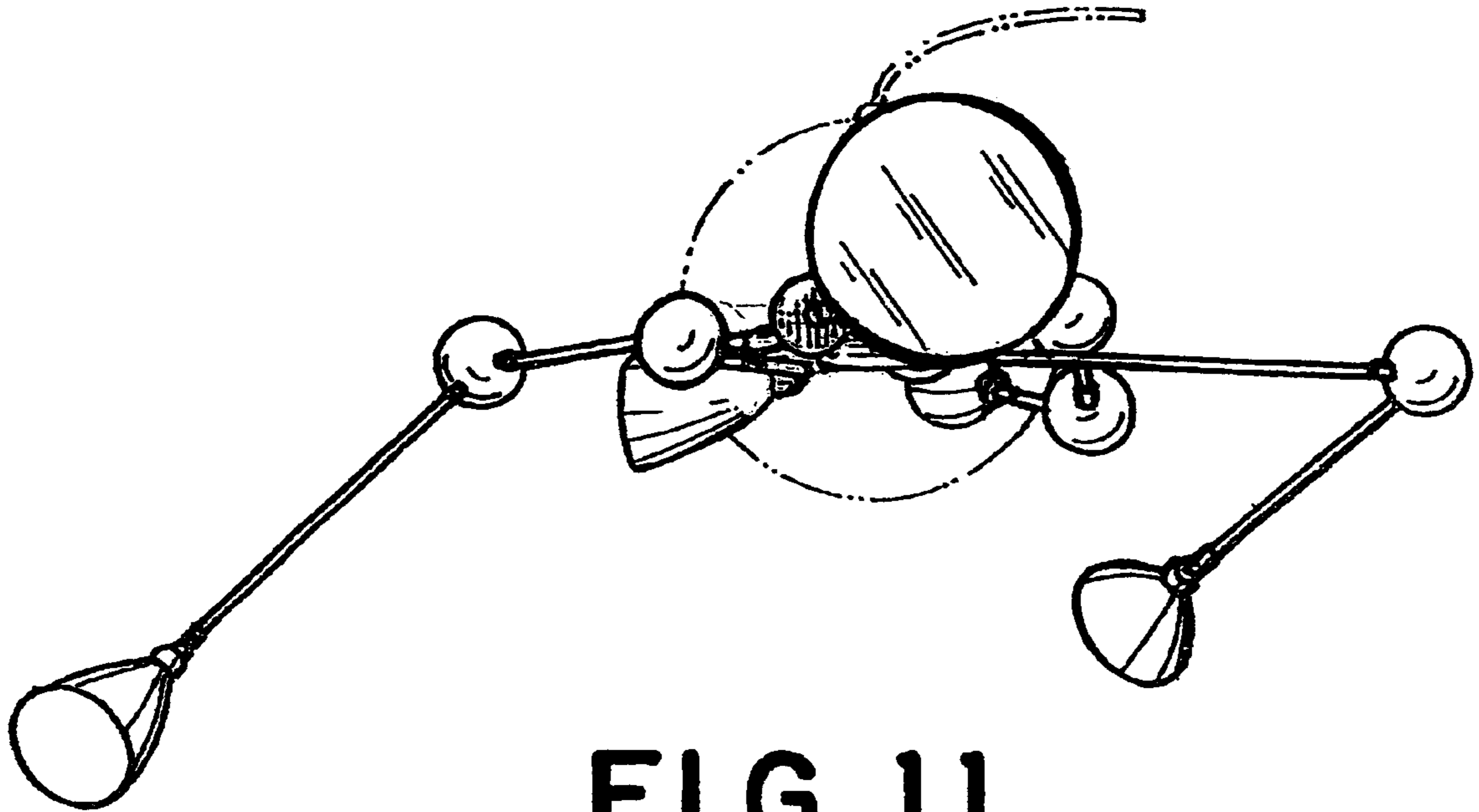


FIG. 11

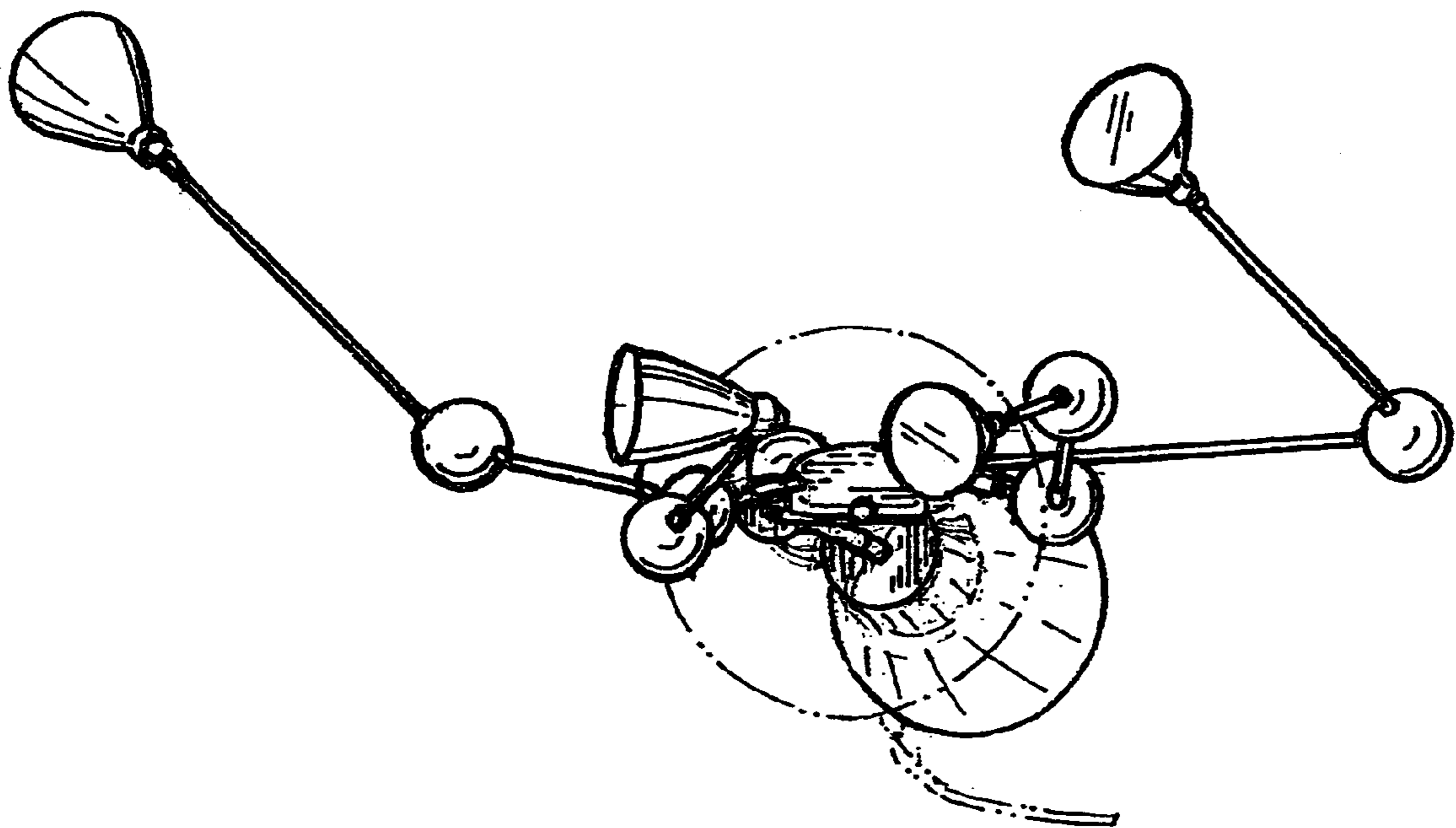


FIG. 12

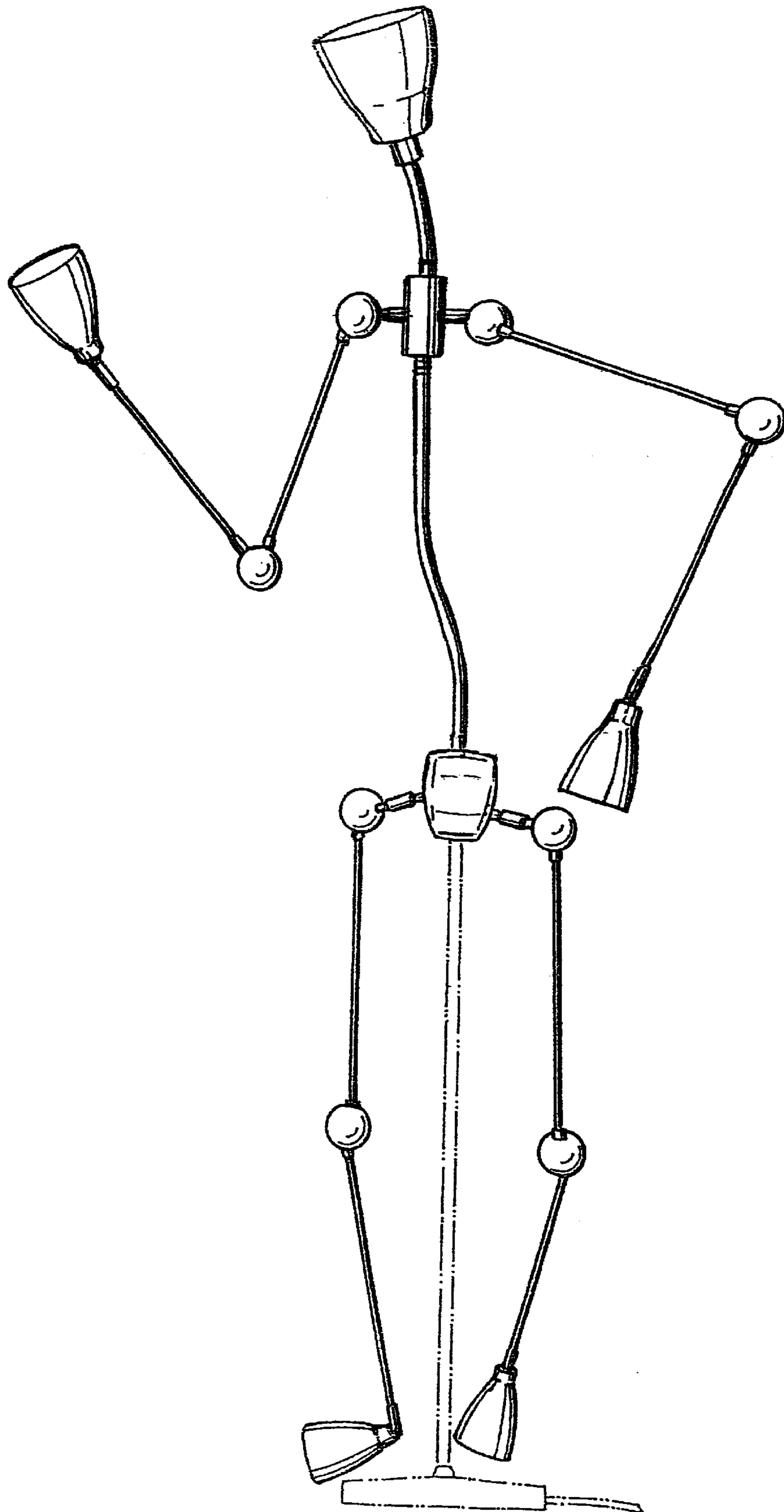


FIG. 13

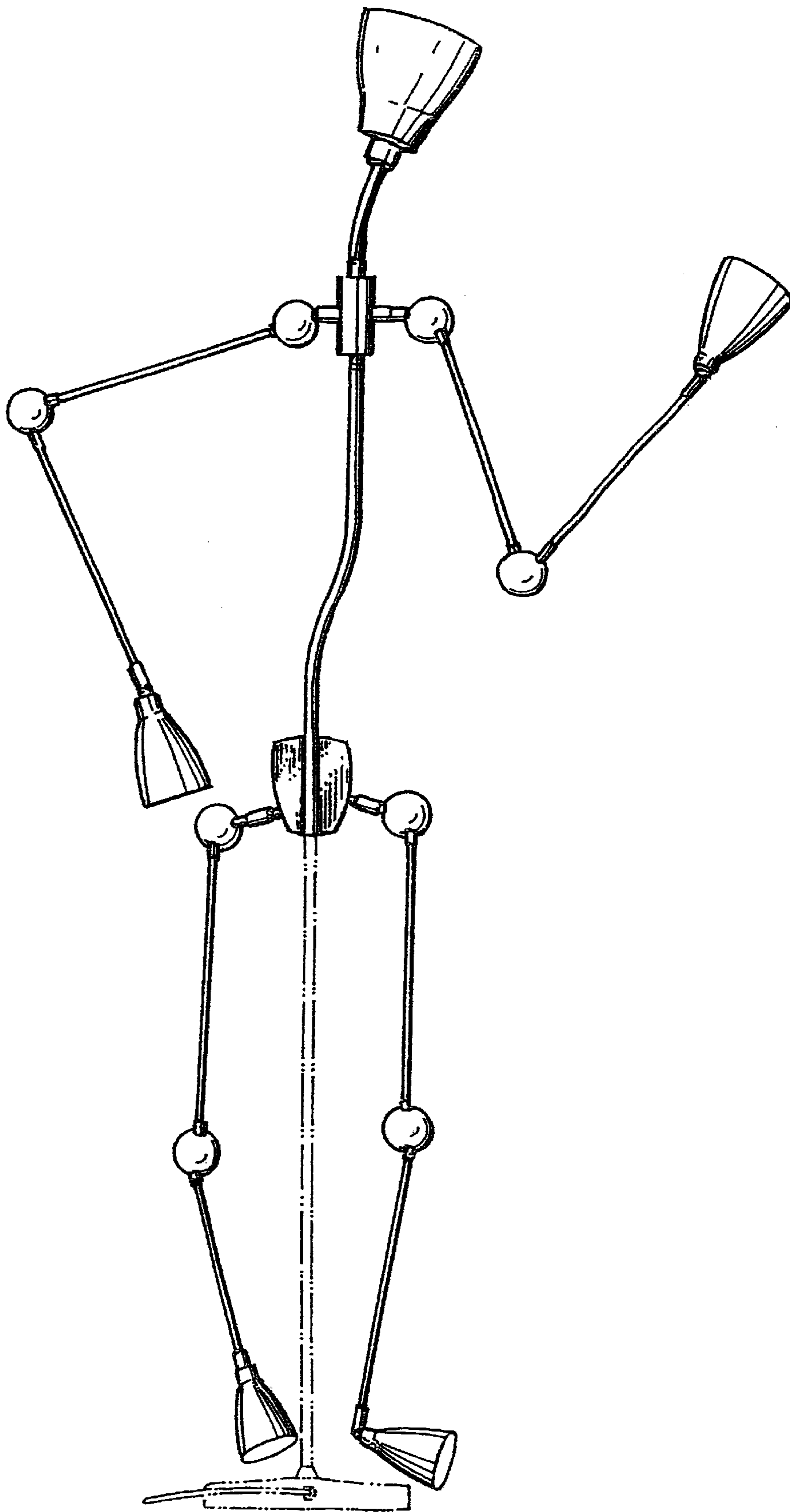


FIG. 14

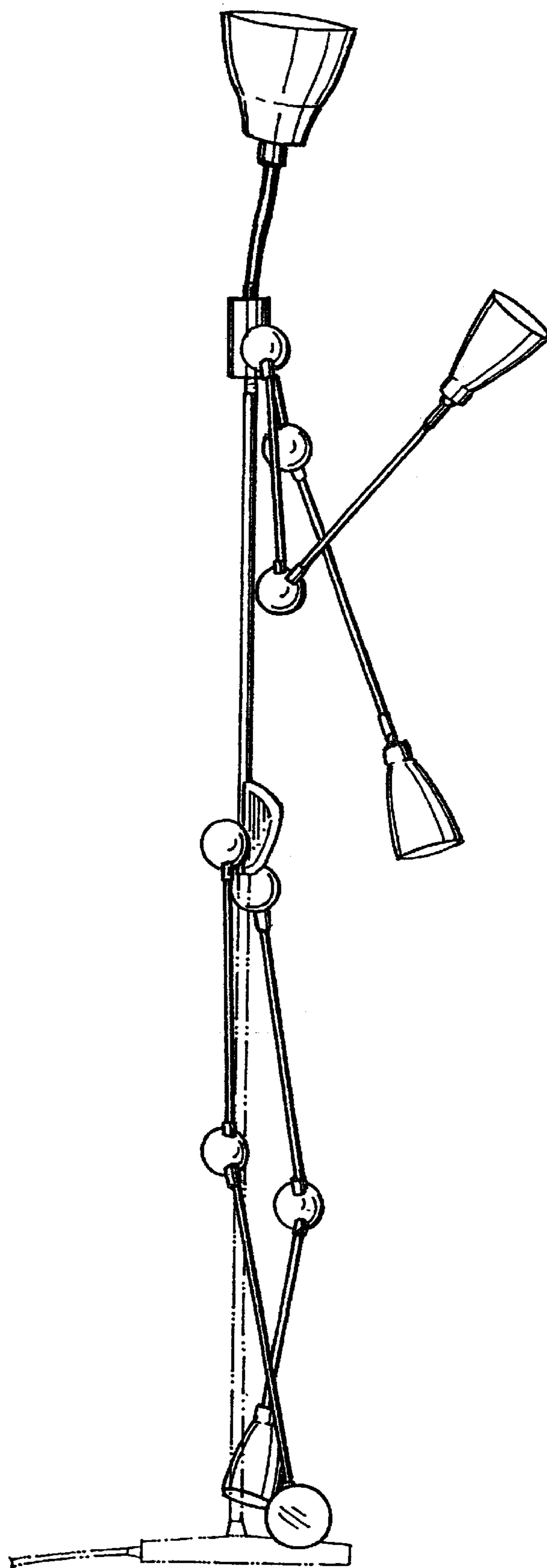


FIG. 15

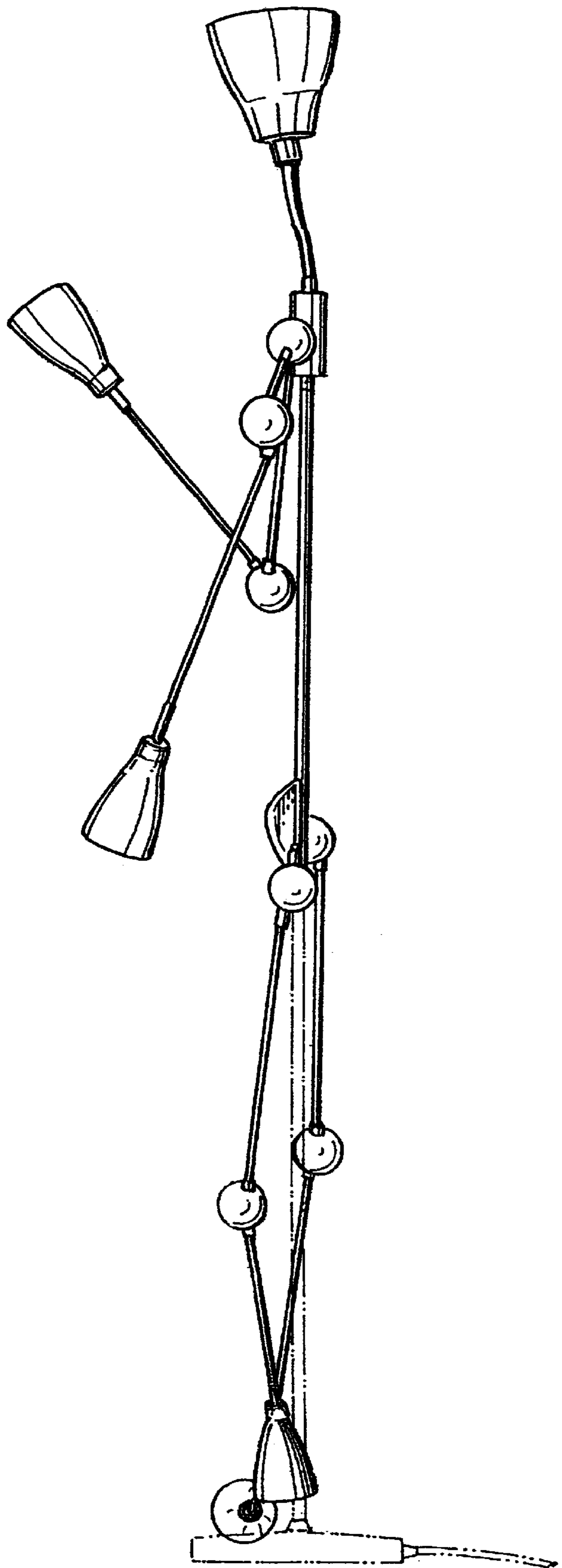


FIG. 16

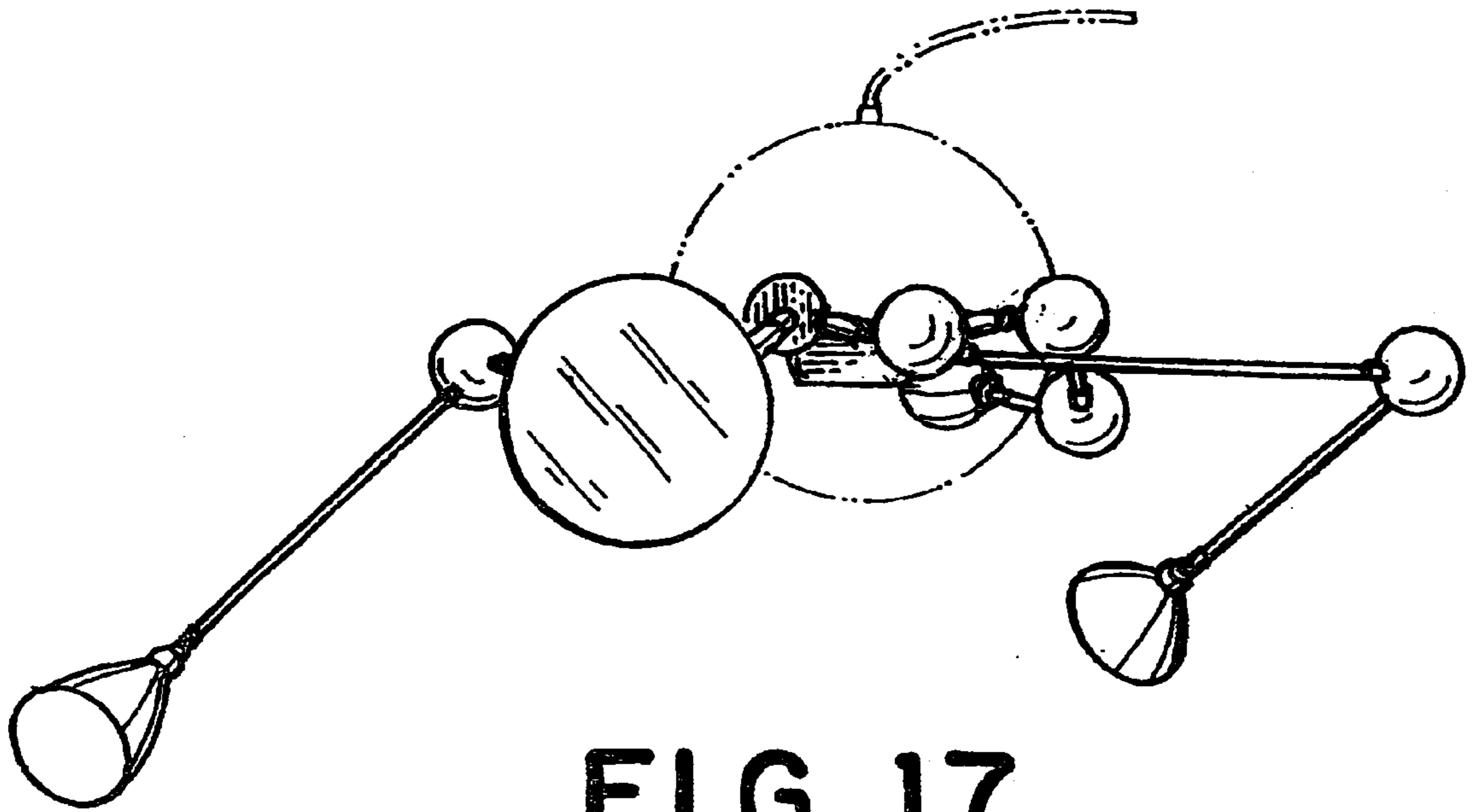


FIG. 17

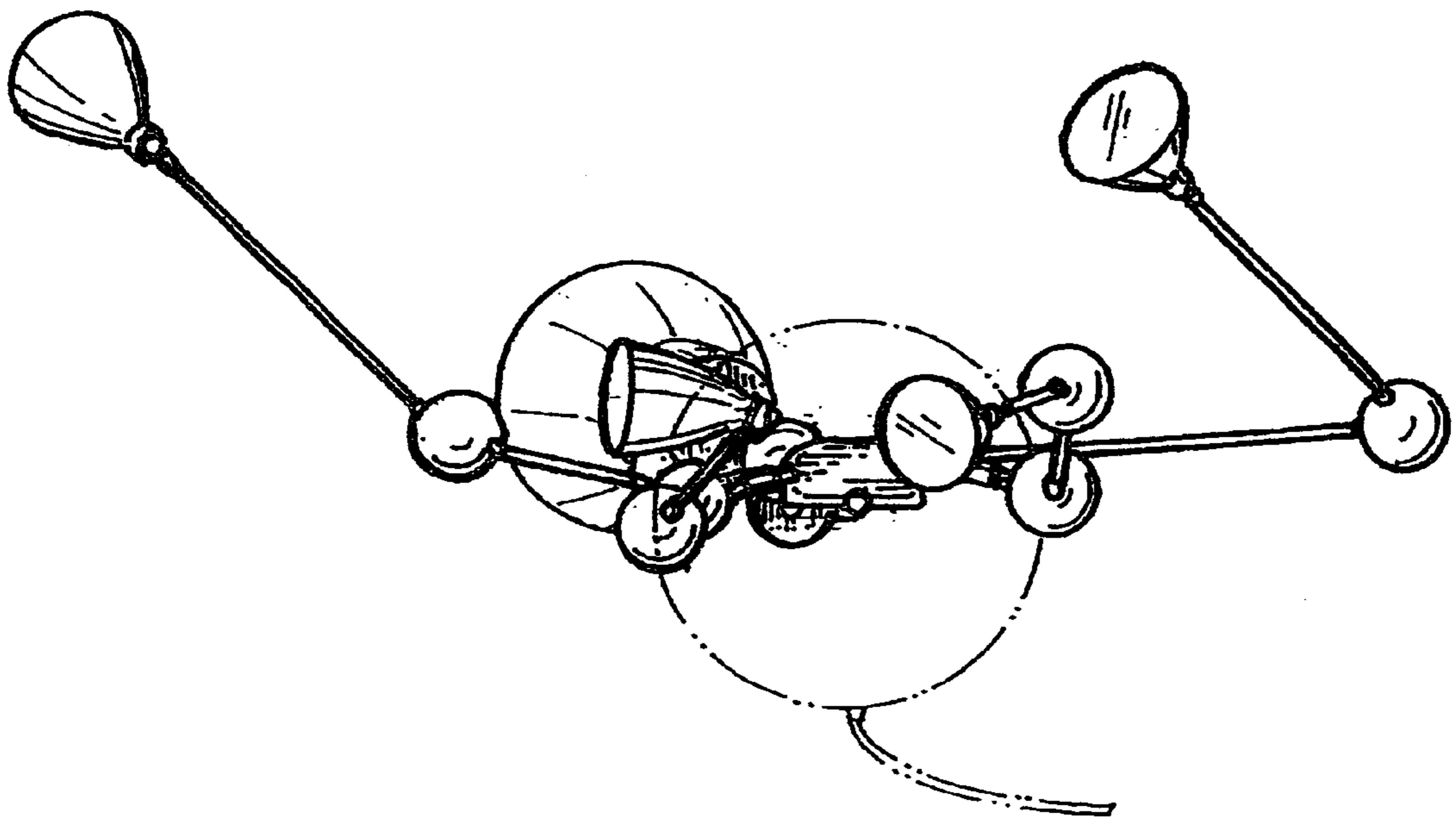


FIG. 18