



US00D443383S

(12) **United States Design Patent**
Shih

(10) **Patent No.:** **US D443,383 S**

(45) **Date of Patent:** **** Jun. 5, 2001**

(54) **LAMP STAND**

(76) Inventor: **Chin-Yeh Shih**, 5 Fl., No. 1, Lane 161,
Sec. 2, Muhsin Rd., Wenshan Dist.,
Taipei (TW)

(**) Term: **14 Years**

(21) Appl. No.: **29/132,379**

(22) Filed: **Nov. 9, 2000**

(51) **LOC (7) Cl.** **26-03**

(52) **U.S. Cl.** **D26/93**

(58) **Field of Search** D26/93, 102-112,
D26/142; 362/153, 153.1, 382, 431, 441,
410-414

(56) **References Cited**

U.S. PATENT DOCUMENTS

- D. 199,457 * 10/1964 Albright D26/104
- D. 411,897 * 7/1999 Shih D26/142

OTHER PUBLICATIONS

Tqiwan Lighting, lamp bases on p. 364, Aug. 1998.*

* cited by examiner

Primary Examiner—Freda Nunn

Assistant Examiner—Linda Brooks

(74) *Attorney, Agent, or Firm*—Rosenberg, Klein & Lee

(57) **CLAIM**

The ornamental design for a lamp stand, as shown.

DESCRIPTION

FIG. 1 is a front-right-top perspective view of a lamp stand, showing my new design;

FIG. 2 is a front elevational view thereof;

FIG. 3 is a rear elevational view thereof;

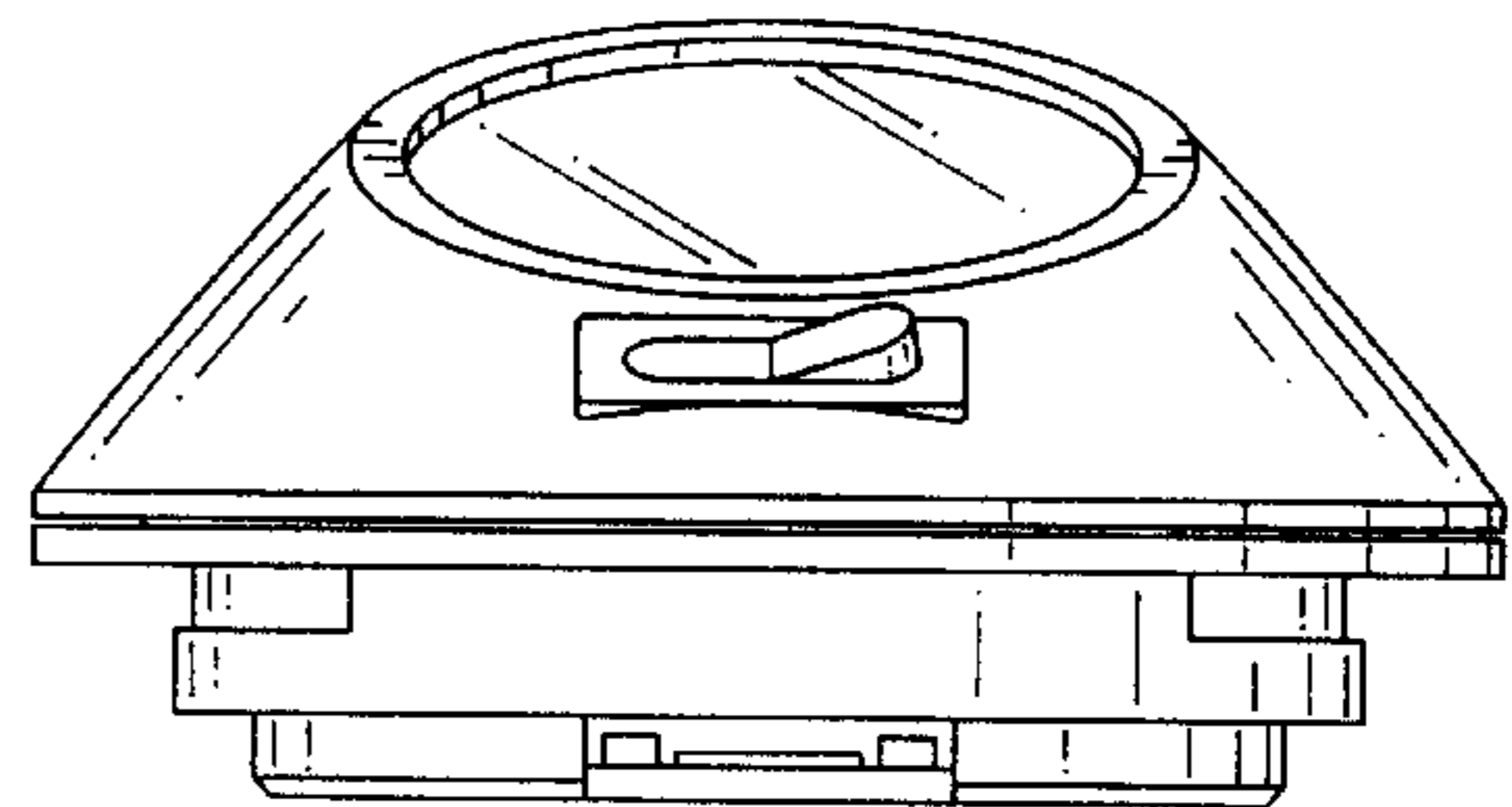
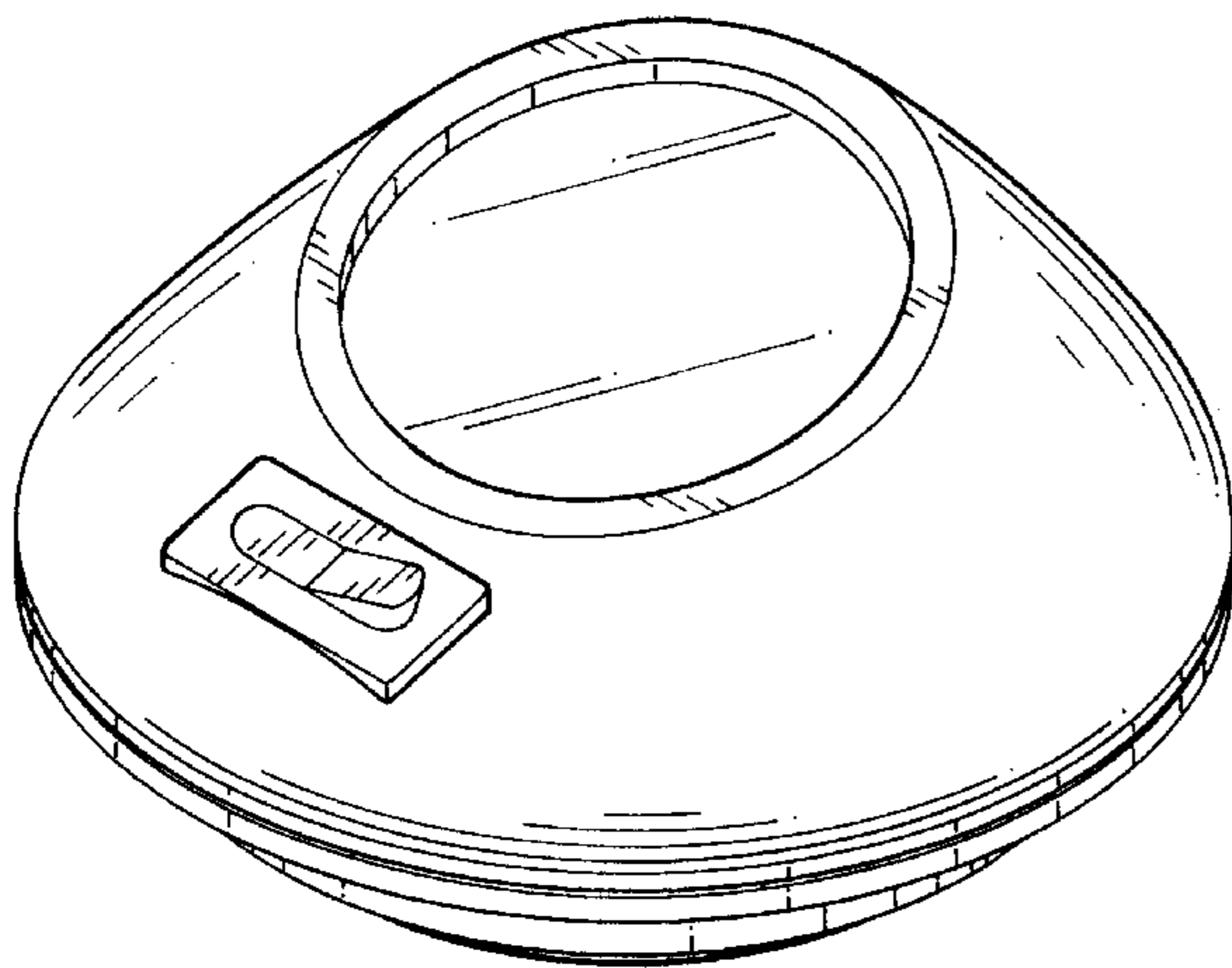
FIG. 4 is a left side elevational view thereof;

FIG. 5 is a right side elevational view thereof;

FIG. 6 is a top plan view thereof; and,

FIG. 7 is a bottom plan view thereof.

1 Claim, 4 Drawing Sheets



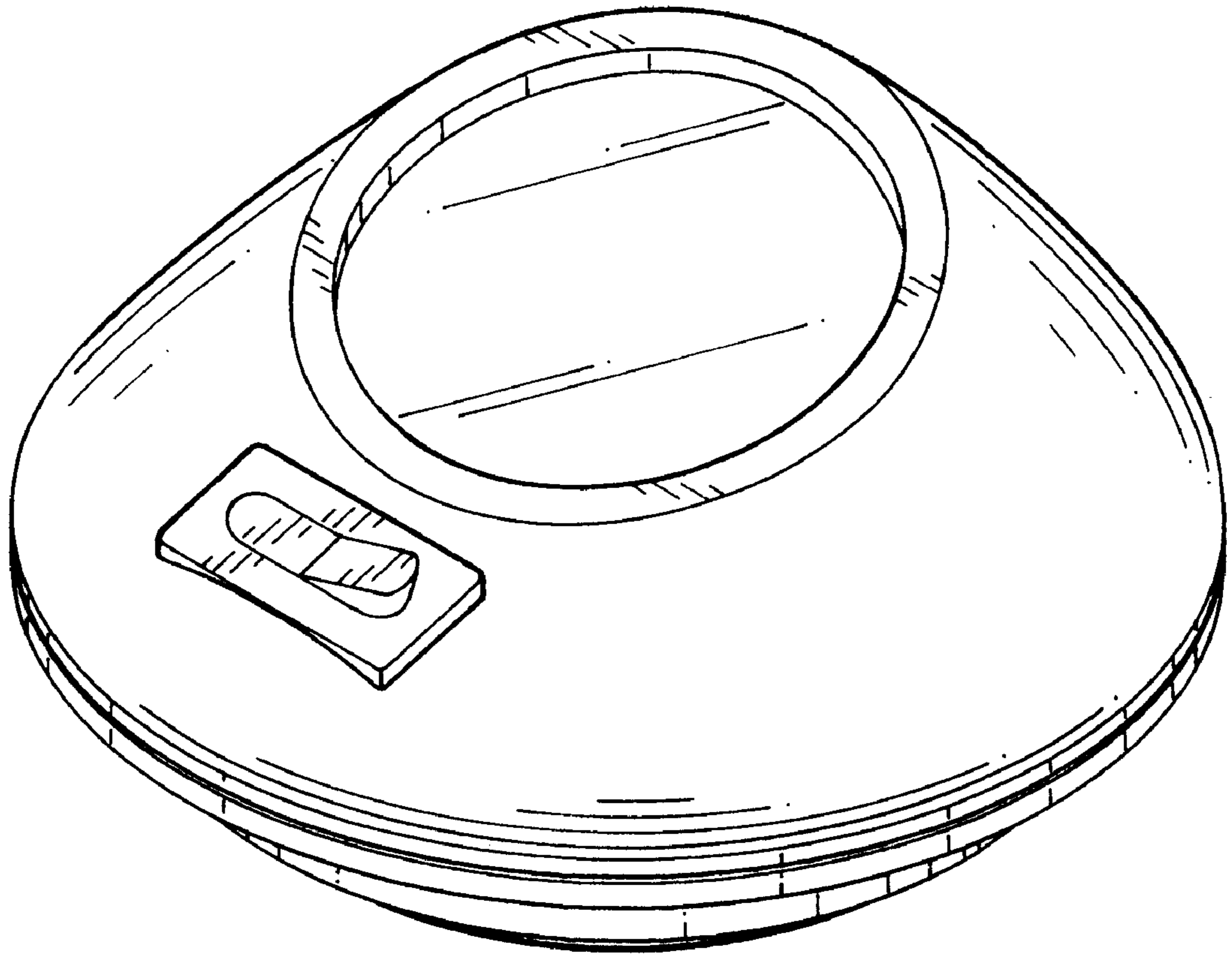


FIG. 1

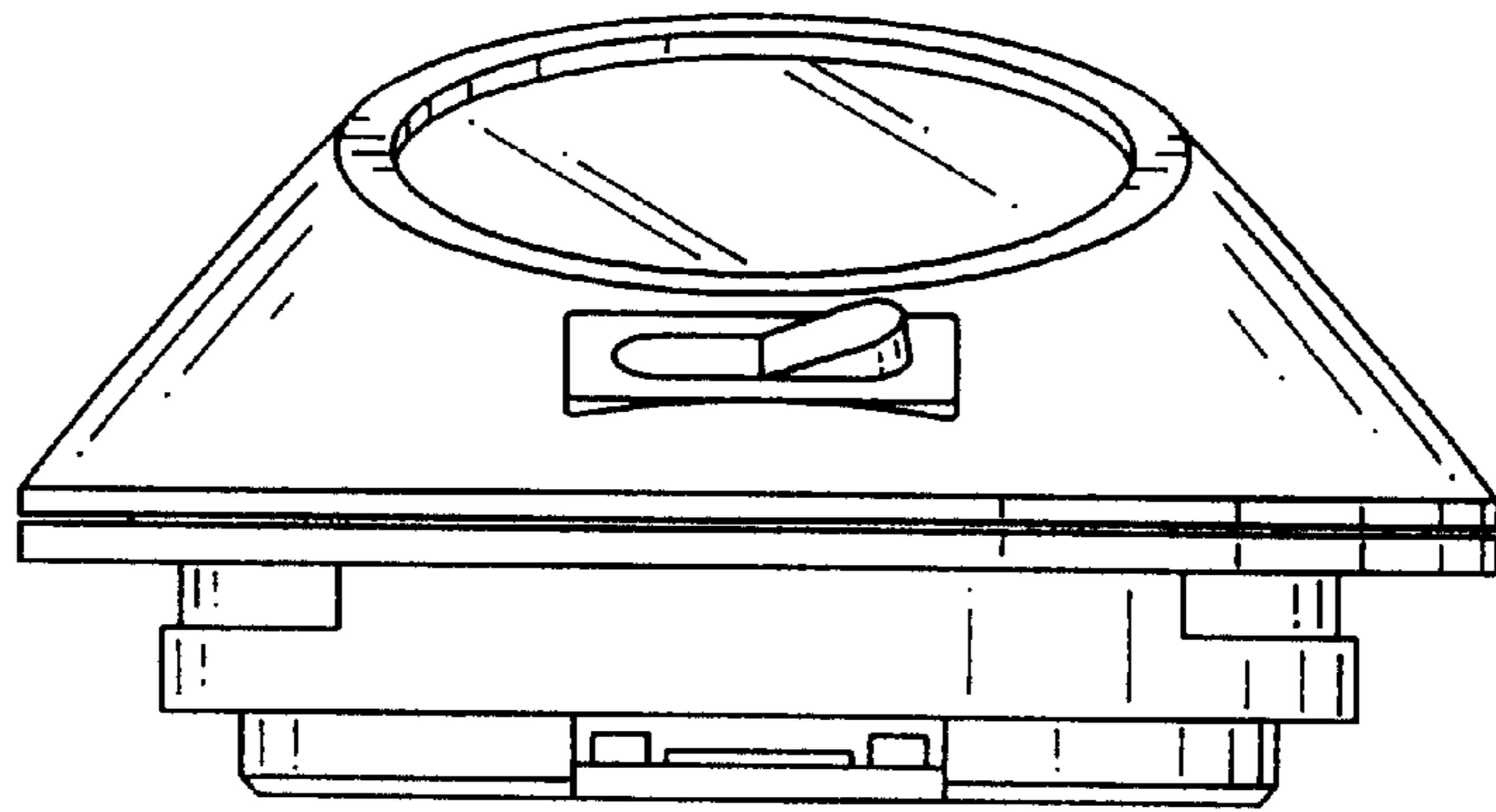


FIG. 2

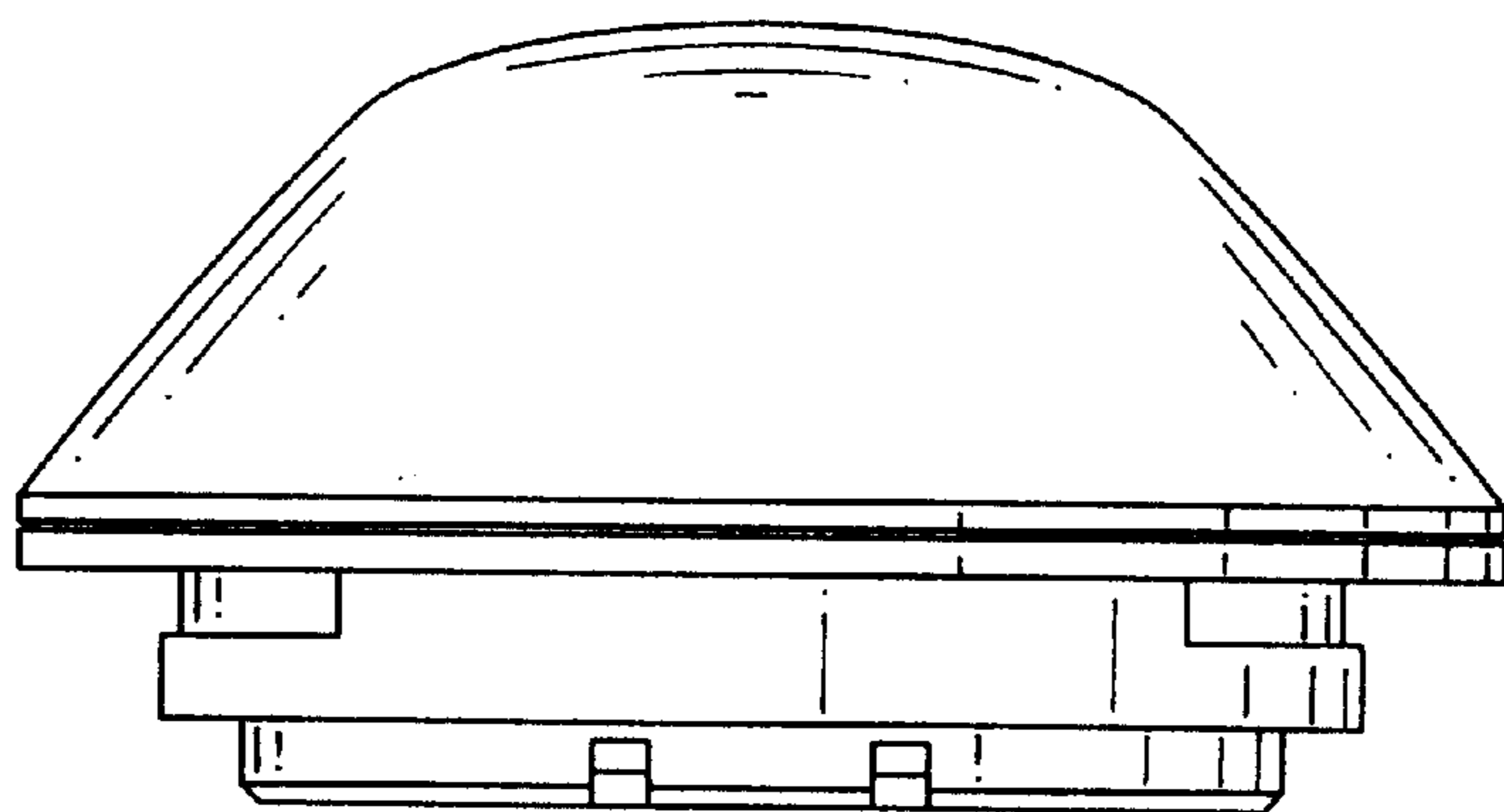


FIG. 3

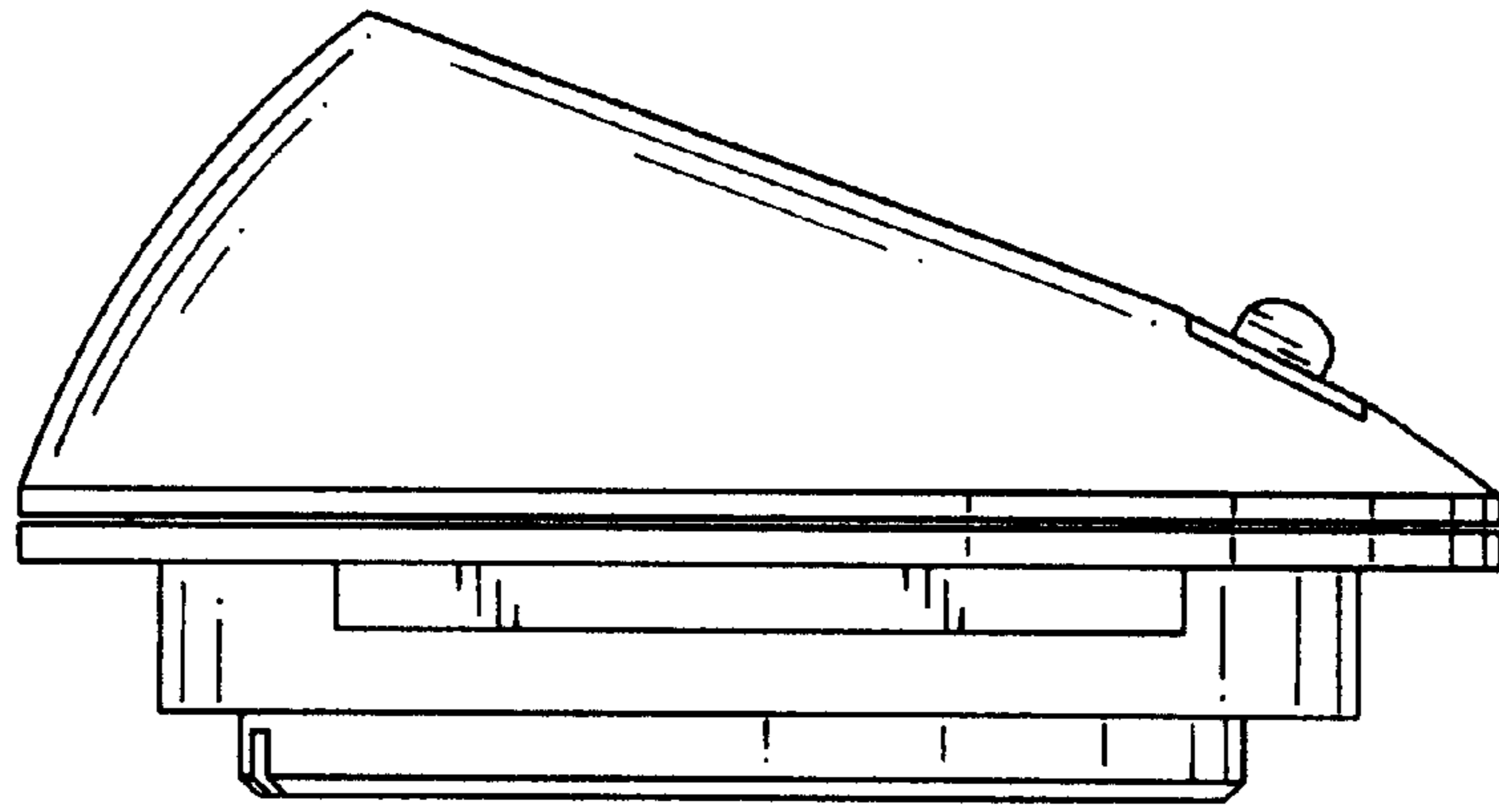


FIG. 4

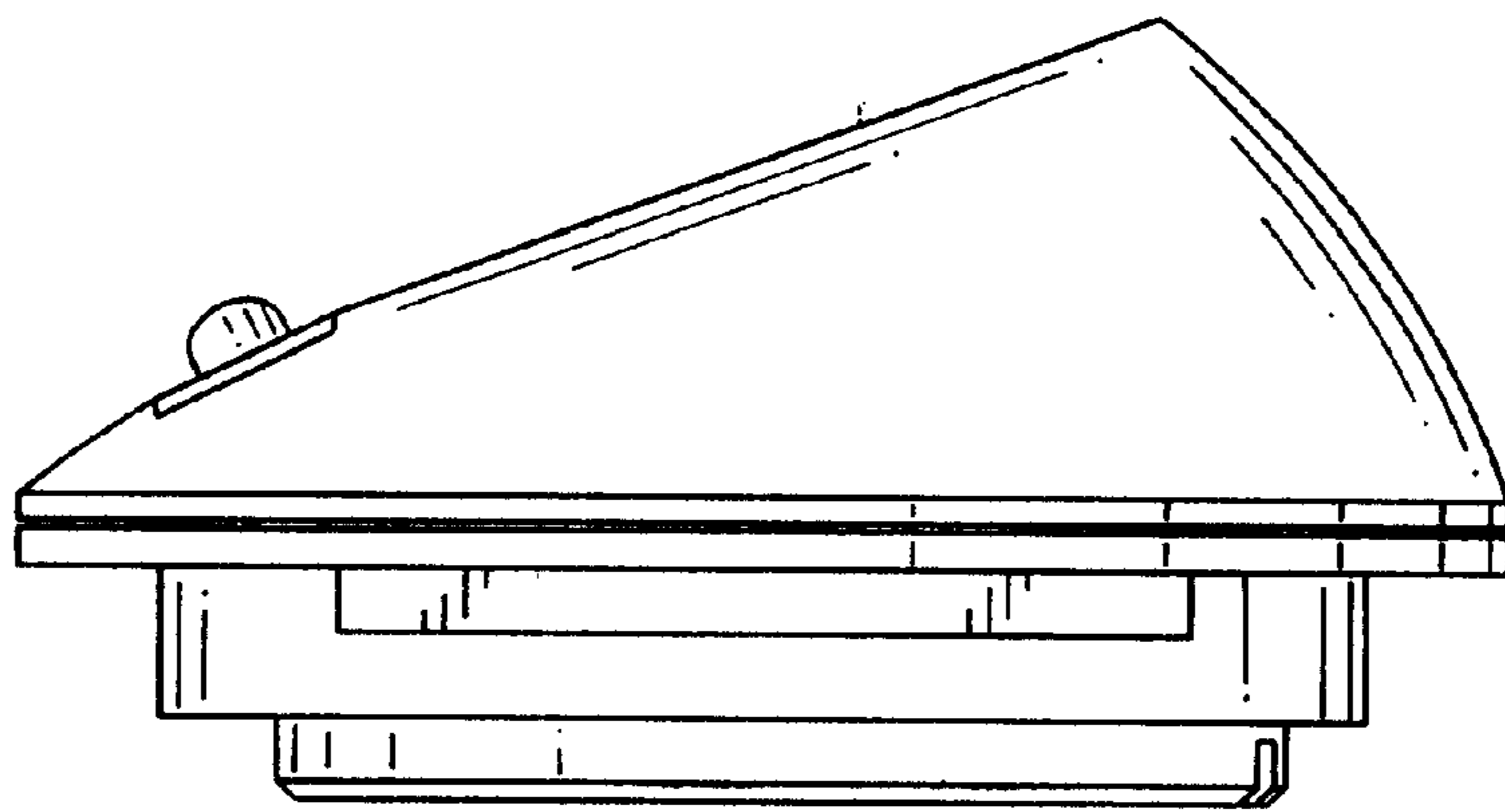


FIG. 5

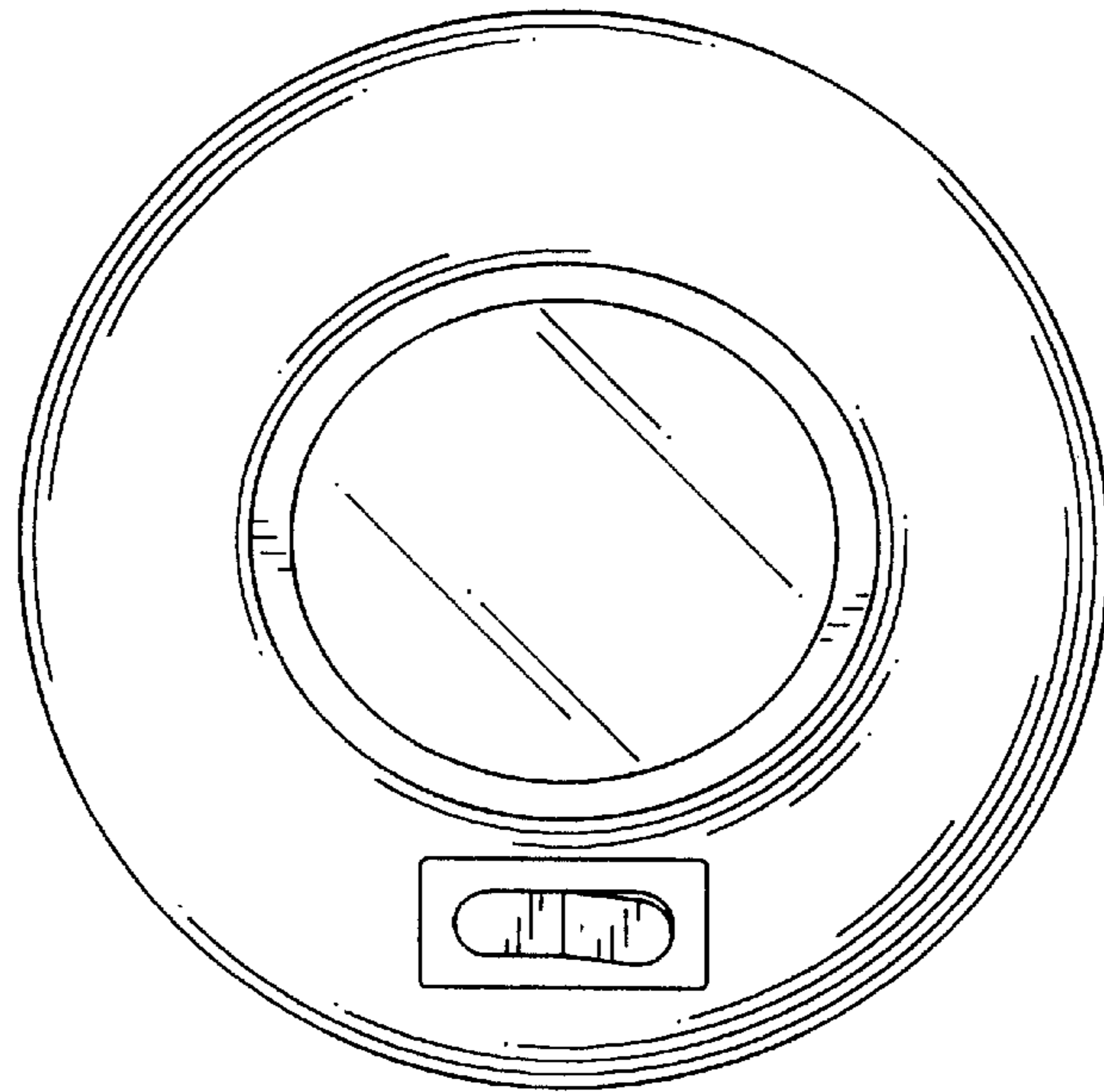


FIG. 6

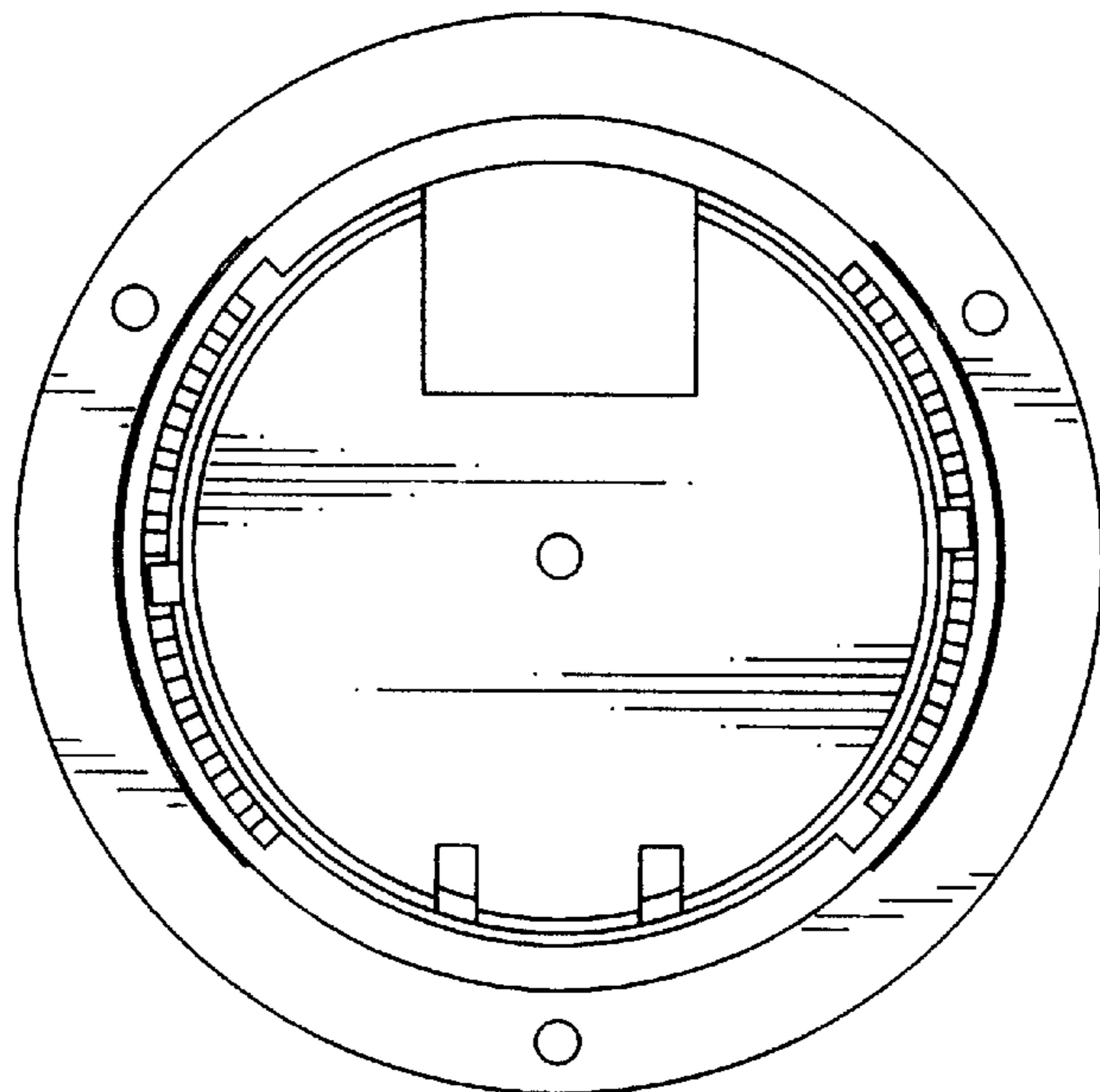


FIG. 7