



US00D443382S

(12) **United States Design Patent**
Vong et al.

(10) **Patent No.:** **US D443,382 S**

(45) **Date of Patent:** **** Jun. 5, 2001**

(54) **LAMP STAND**

(75) Inventors: **Andy Siew Fun Vong**, Venice; **James E. Grove**, Marina Del Rey, both of CA (US)

(73) Assignee: **L.A. Product Design, L.L.C.**, Marina Del Rey, CA (US)

(**) Term: **14 Years**

(21) Appl. No.: **29/119,555**

(22) Filed: **Mar. 2, 2000**

(51) **LOC (7) Cl.** **26-03**

(52) **U.S. Cl.** **D26/93**

(58) **Field of Search** D26/93-112, 142, D26/155; 362/410-414, 431

(56) **References Cited**

U.S. PATENT DOCUMENTS

D. 402,390 * 12/1998 Smedley et al. D26/87

OTHER PUBLICATIONS

Frontgate catalogue, West Chester, Ohio, Winter 2000, p. 61.

Intermatic Inc. catalog, floral path light No. PL 181, ©1992.*

Euroluce Paris by Light catalog, Les Actuels de Lucien Gau lamp No. A 15 on p. 4, 1989.*

arteluce Grall System, Grall Alpha floor lamp, Apr. 1989.*

Illuminotecnica, lamp stands on p. 346, Mar./Apr. 1997.*

* cited by examiner

Primary Examiner—Freda Nunn

Assistant Examiner—Linda Brooks

(74) *Attorney, Agent, or Firm*—Seed IP Law Group PLLC

(57) **CLAIM**

The ornamental design for a lamp stand, as shown and described.

DESCRIPTION

A portion of the disclosure of this patent document contains material to which a claim for copyright is made. The copyright owners have no objection to the facsimile reproduction by anyone of the patent document or the patent disclosure, as it appears in the Patent and Trademark Office patent file or records, but reserve all other copyrights whatsoever.

FIG. 1 is a top, right isometric view of a lamp stand showing our new design in the environment in which it is typically used.

FIG. 2 is an enlarged top, right isometric view of a lamp stand.

FIG. 3 is an enlarged top plan view thereof.

FIG. 4 is an enlarged bottom plan view thereof.

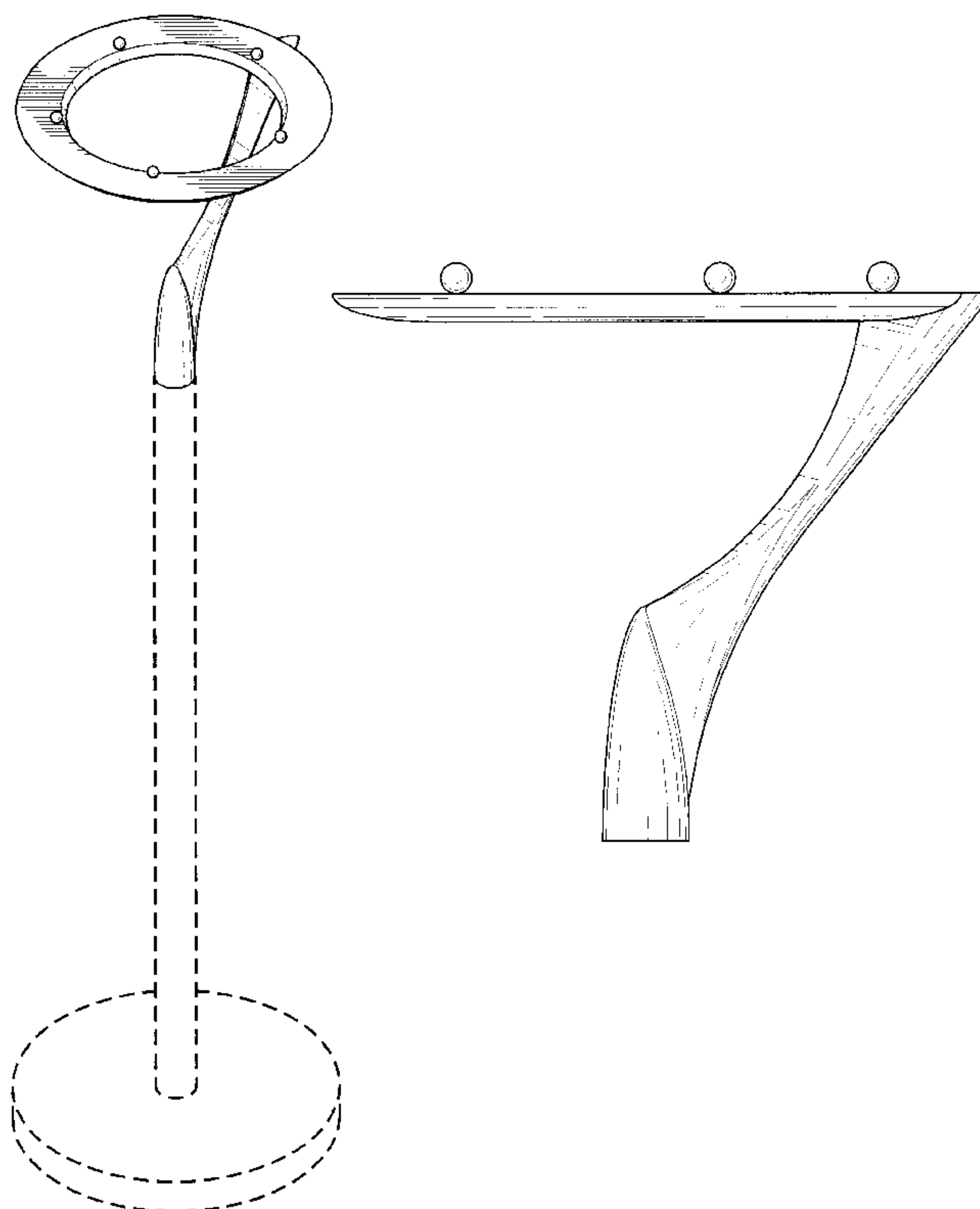
FIG. 5 is an enlarged front elevational view thereof.

FIG. 6 is an enlarged rear elevational view thereof; and,

FIG. 7 is an enlarged right side elevational view thereof; the left side elevational view is a mirror image thereof.

The broken lines in the figures are for illustrative purposes only and form on part of the claimed design.

1 Claim, 5 Drawing Sheets



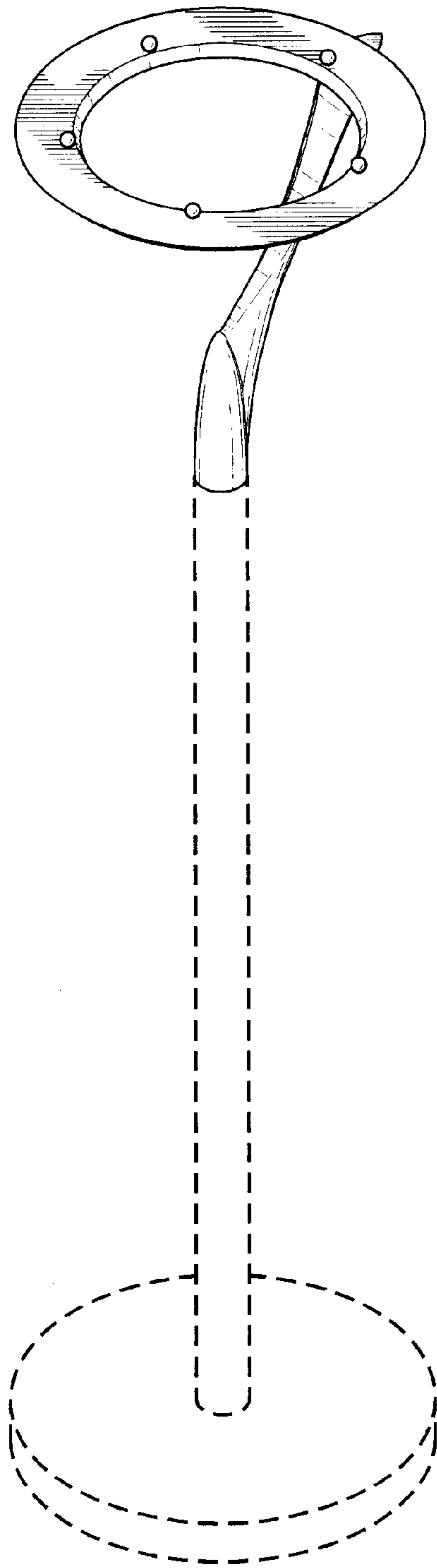


Fig. 1

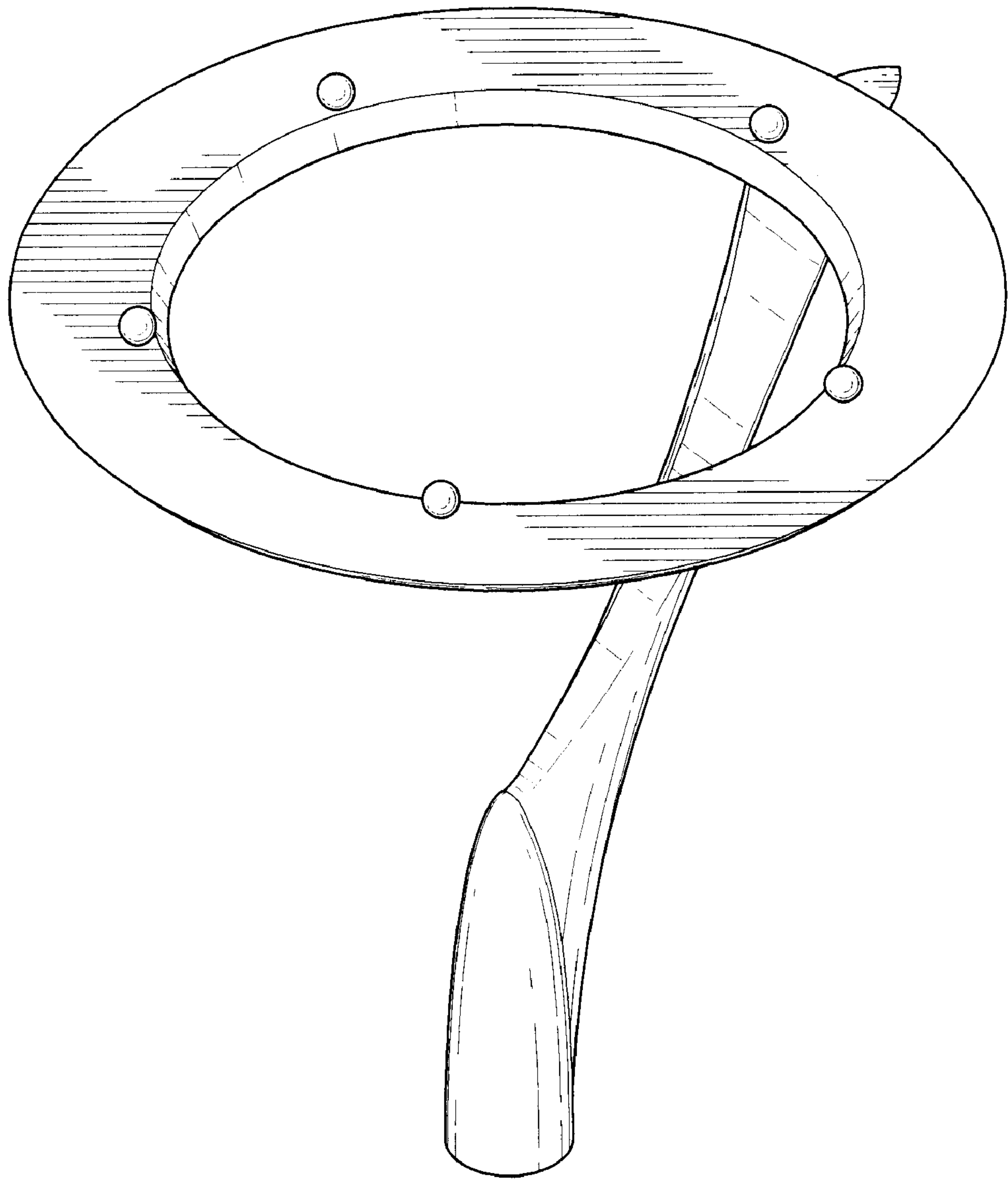


Fig. 2

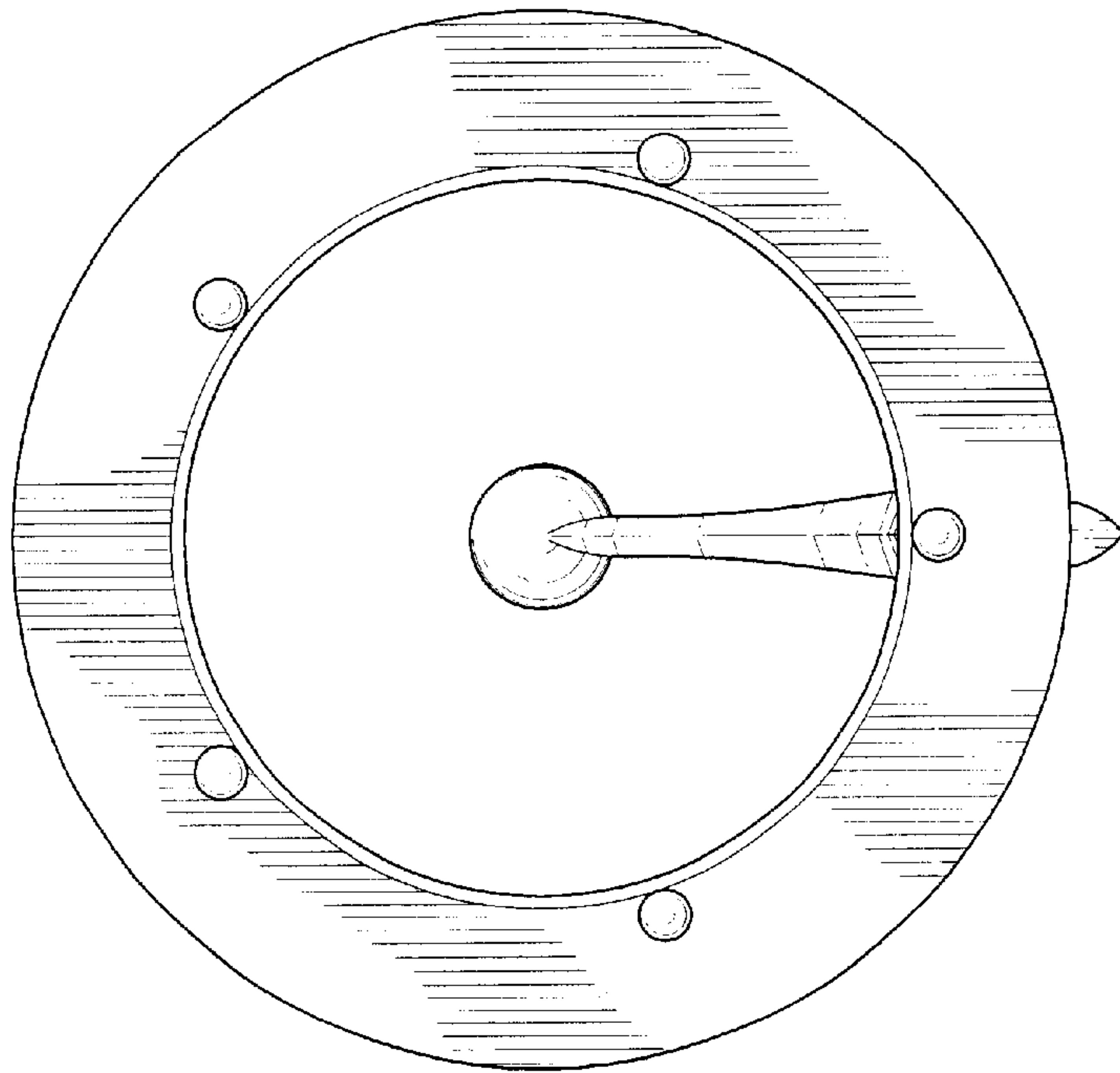


Fig. 3

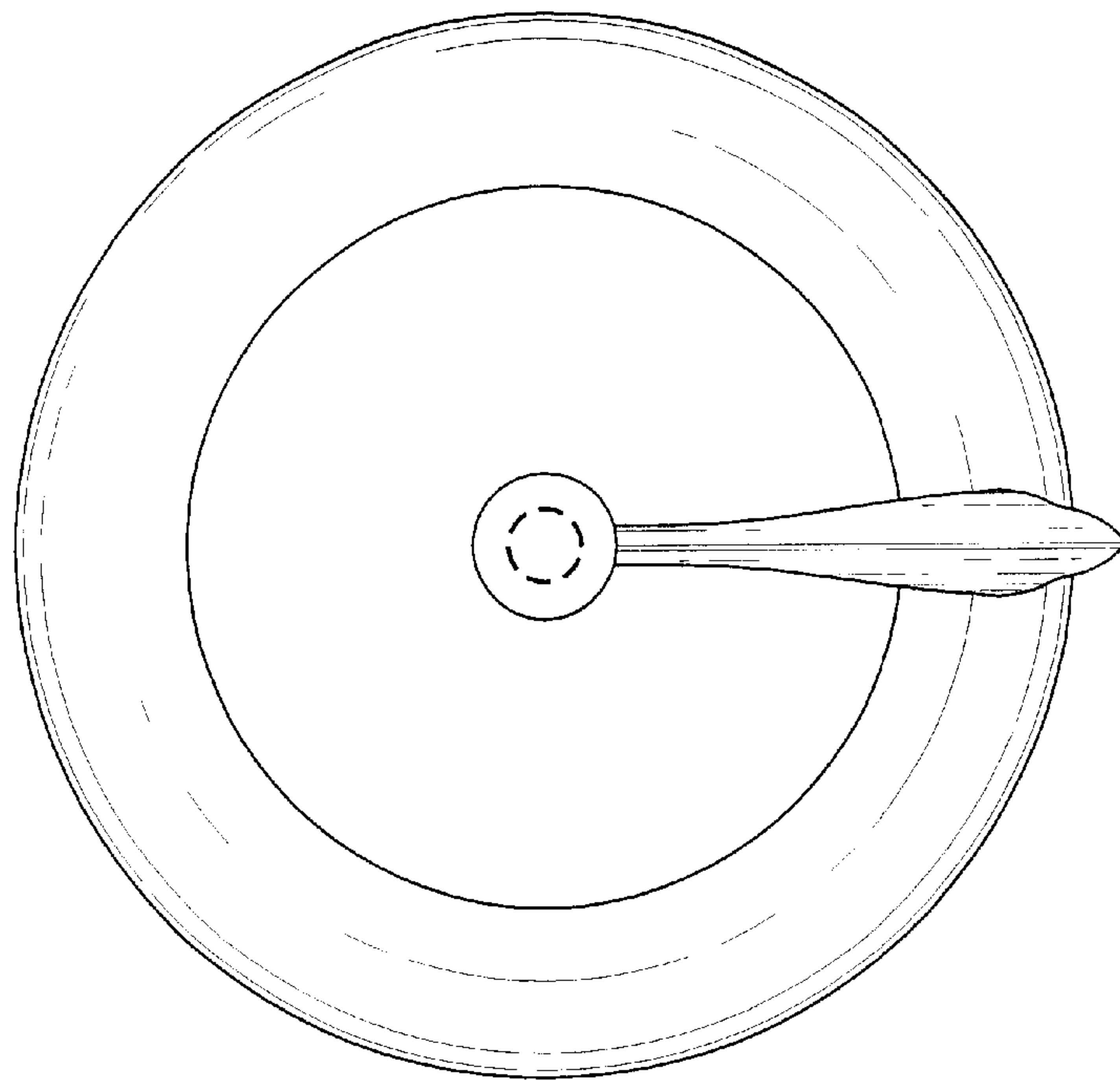


Fig. 4

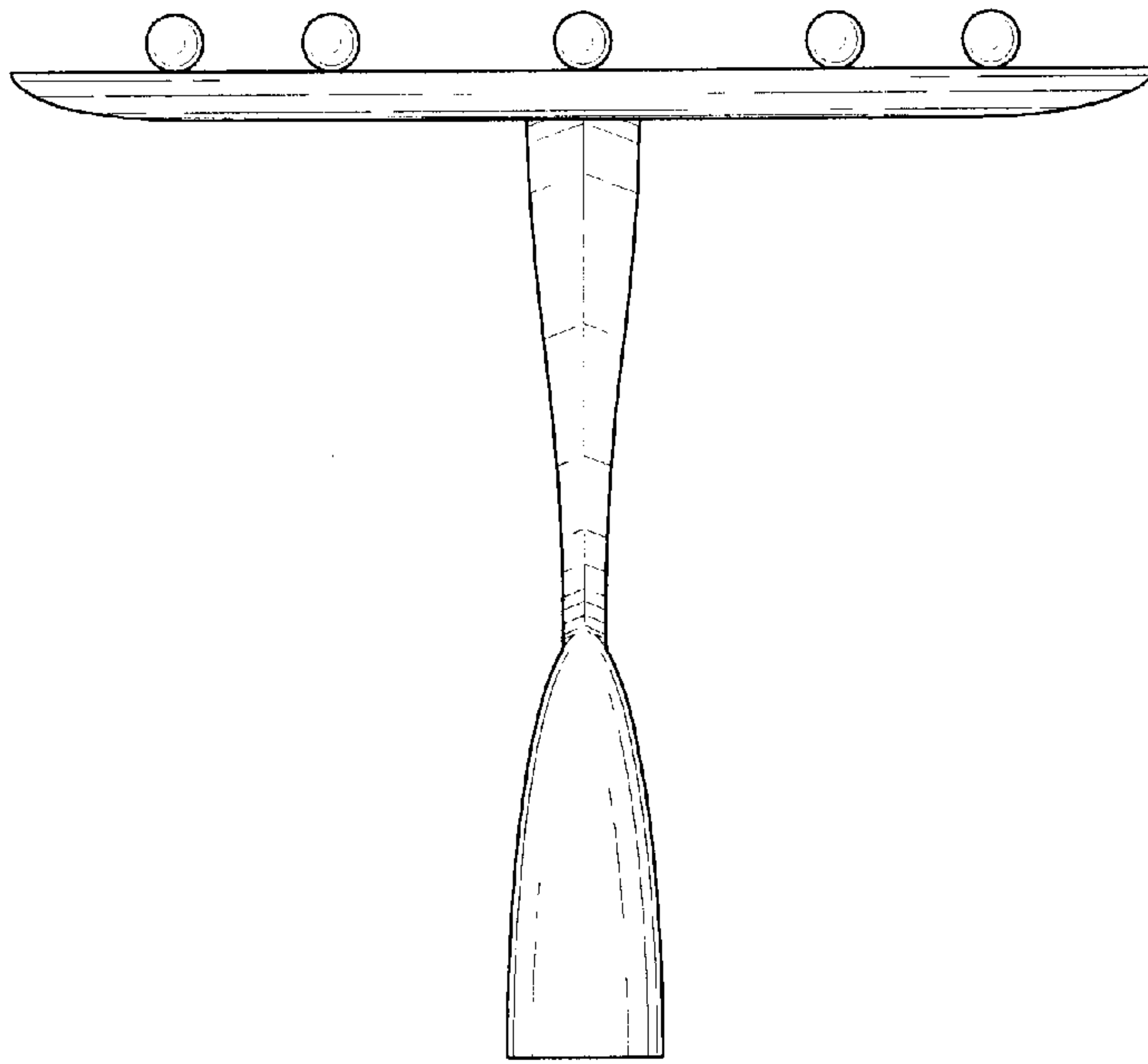


Fig. 5

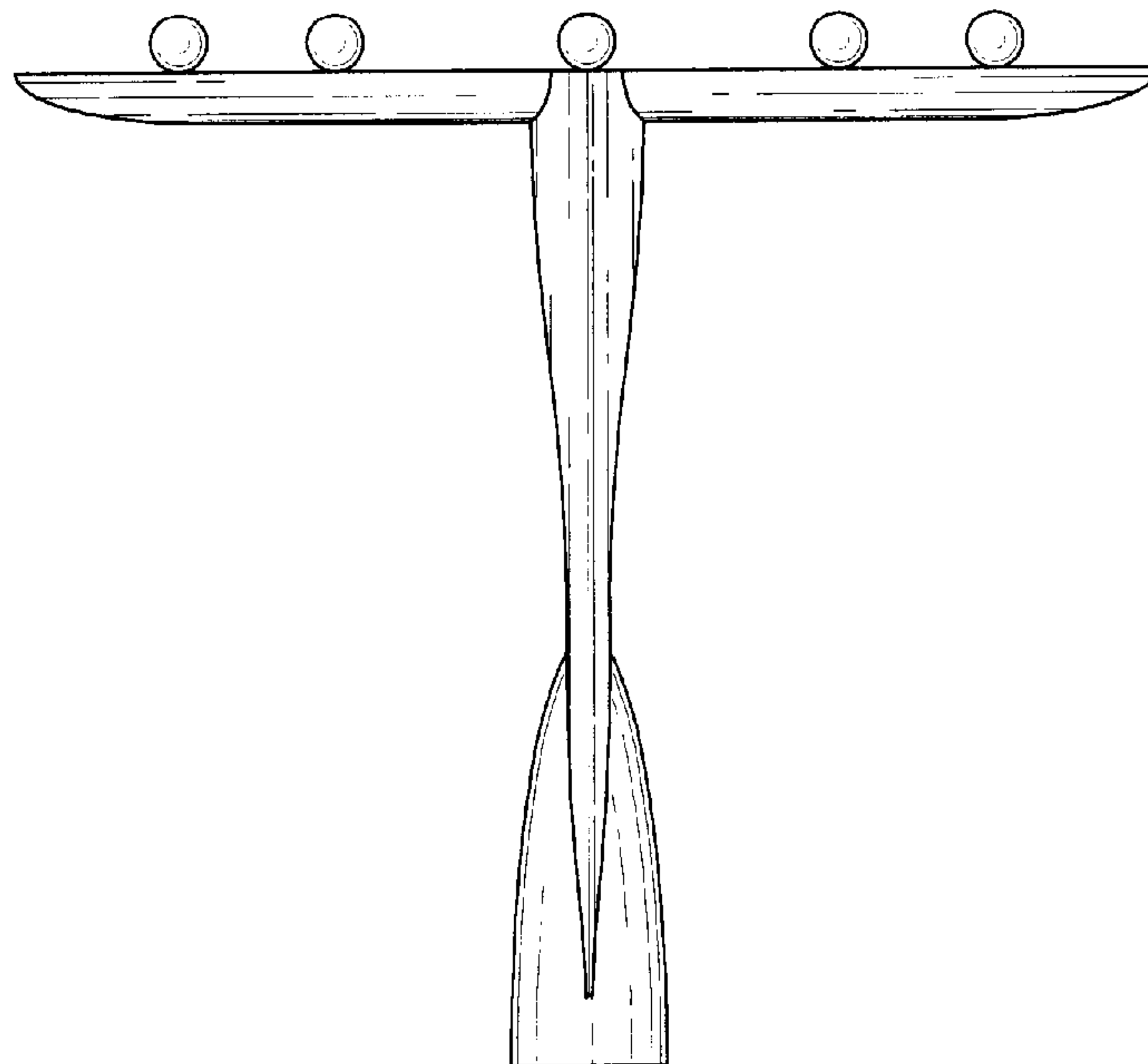


Fig. 6

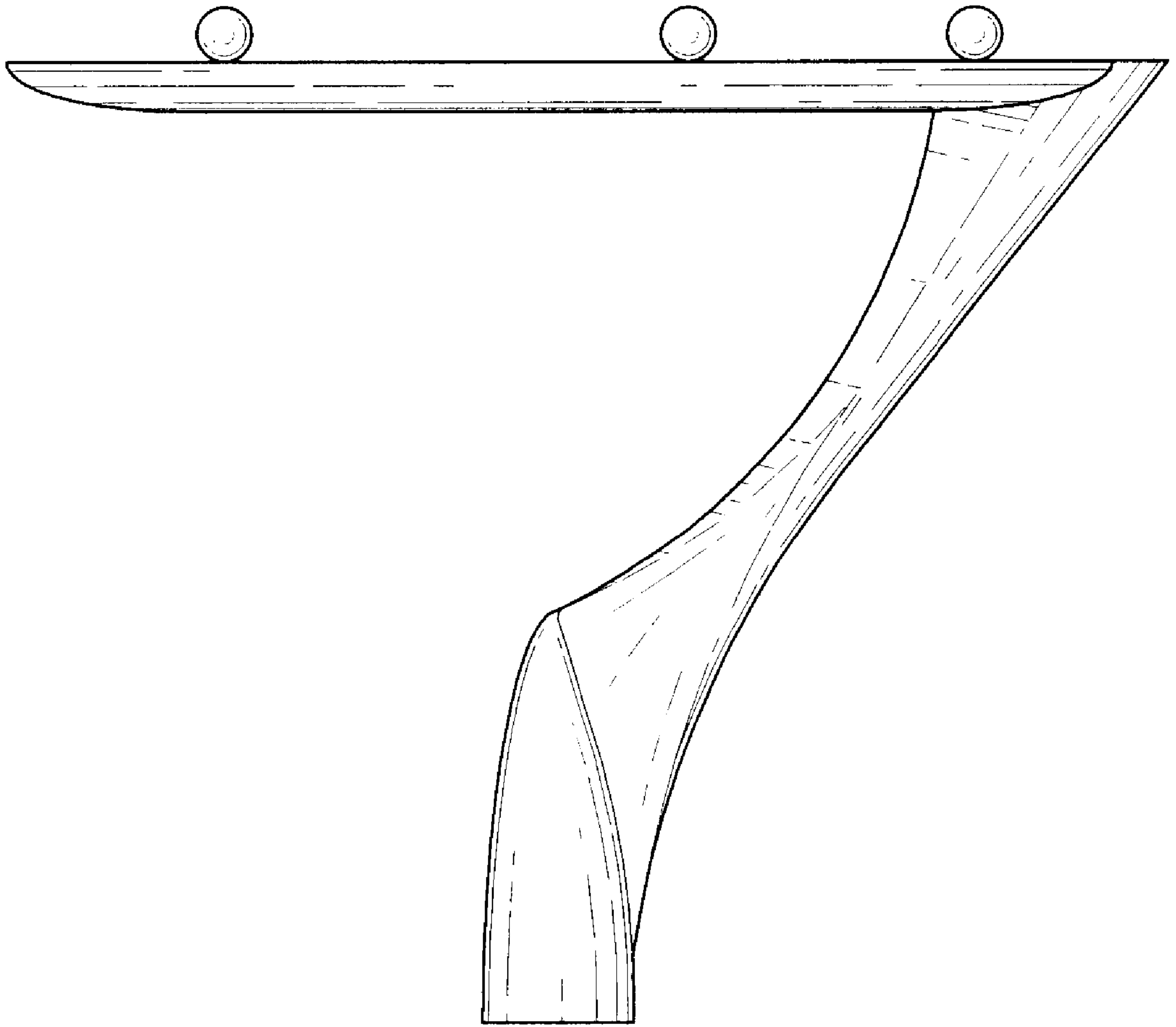


Fig. 7