



US00D443380S

(12) **United States Design Patent**
Williams

(10) **Patent No.:** **US D443,380 S**

(45) **Date of Patent:** **** Jun. 5, 2001**

(54) **VANITY BAR LIGHT FIXTURE**

Quoizel Lighting catalog, 1997, p. 100, wall lamp # VN 8349M, & VM 8347M.*

(75) Inventor: **Tammy Williams**, Scottsdale, AZ (US)

* cited by examiner

(73) Assignee: **Litex Industries, Inc.**, Grand Prairie, TX (US)

Primary Examiner—Susan J. Lucas

(74) *Attorney, Agent, or Firm*—Sidley & Austin

(**) Term: **14 Years**

(57) **CLAIM**

The ornamental design for an vanity bar light fixture, as shown and described.

(21) Appl. No.: **29/121,735**

DESCRIPTION

(22) Filed: **Apr. 12, 2000**

(51) **LOC (7) Cl.** **26-05**

(52) **U.S. Cl.** **D26/87**

(58) **Field of Search** D26/87, 92; 362/147, 362/432

FIG. 1 is a perspective view of a vanity bar light fixture embodying my design;

FIG. 2 is a front view thereof;

FIG. 3 is a left side view thereof, a right side view being identical thereto;

FIG. 4 is a bottom view thereof;

FIG. 5 is a top view thereof; and,

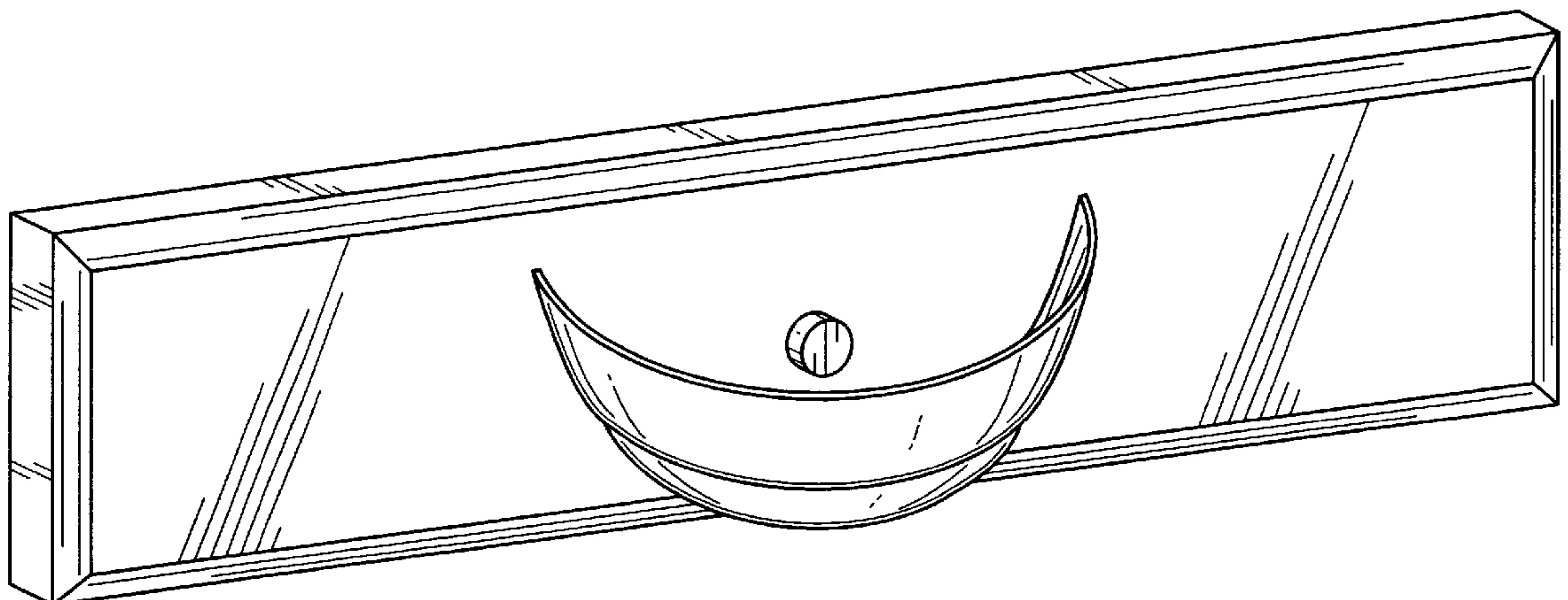
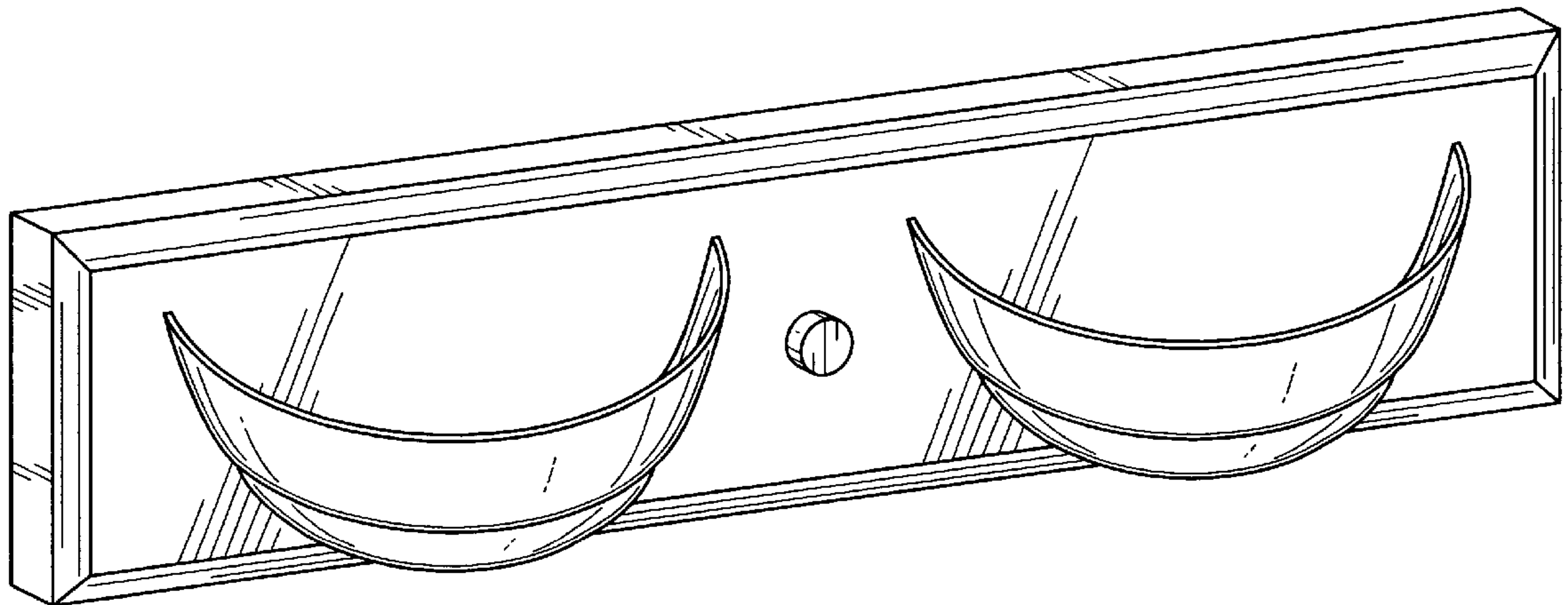
FIG. 6 is a perspective view of an alternative embodiment of the design shown in FIGS. 1-5.

(56) **References Cited**

PUBLICATIONS

Forecast lighting catalog, 1993, p. 49, wall lamp # 7012-57.*

1 Claim, 6 Drawing Sheets



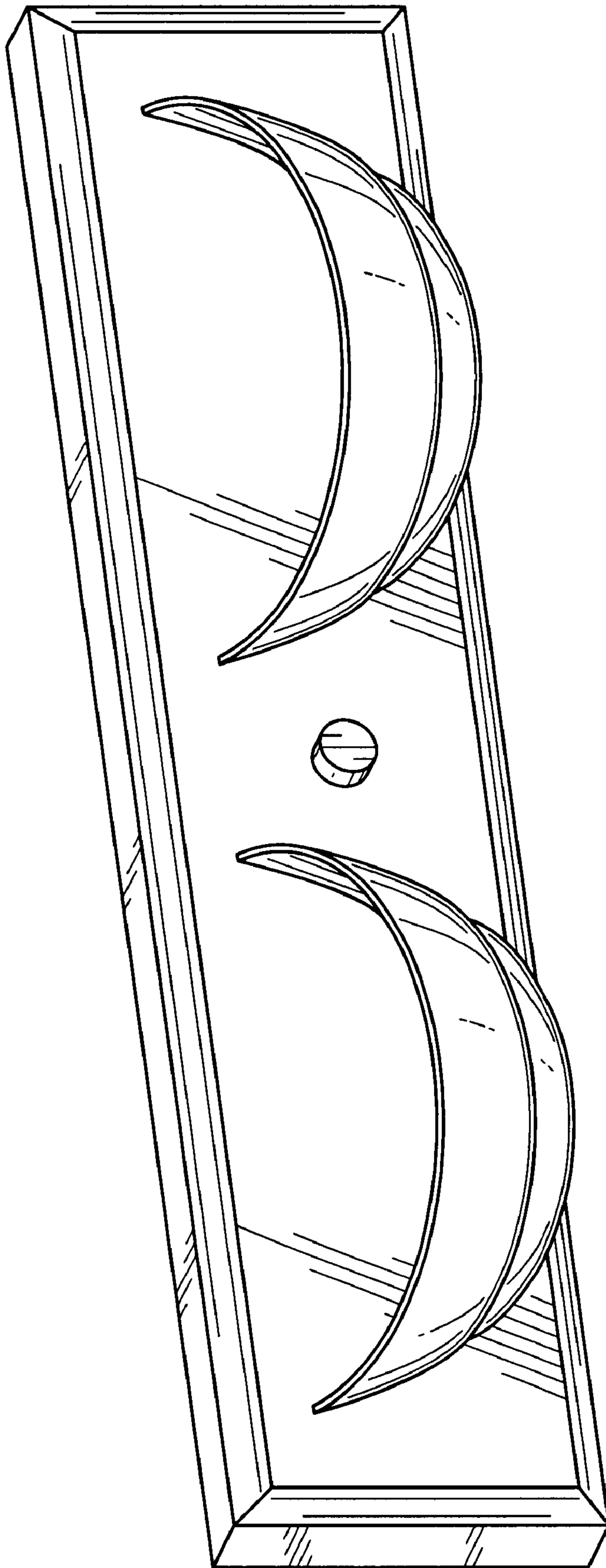


FIG. 1

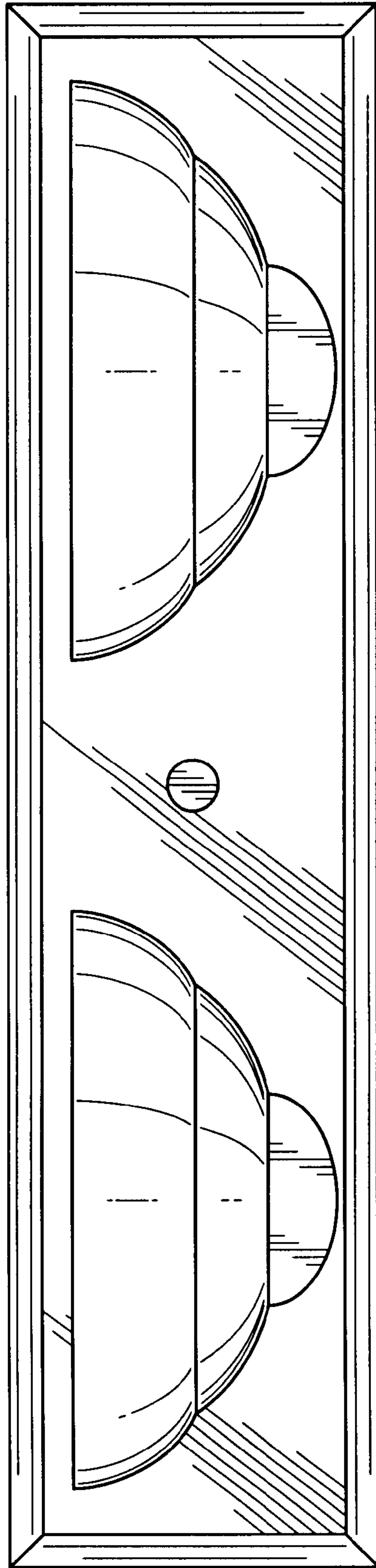


FIG. 2

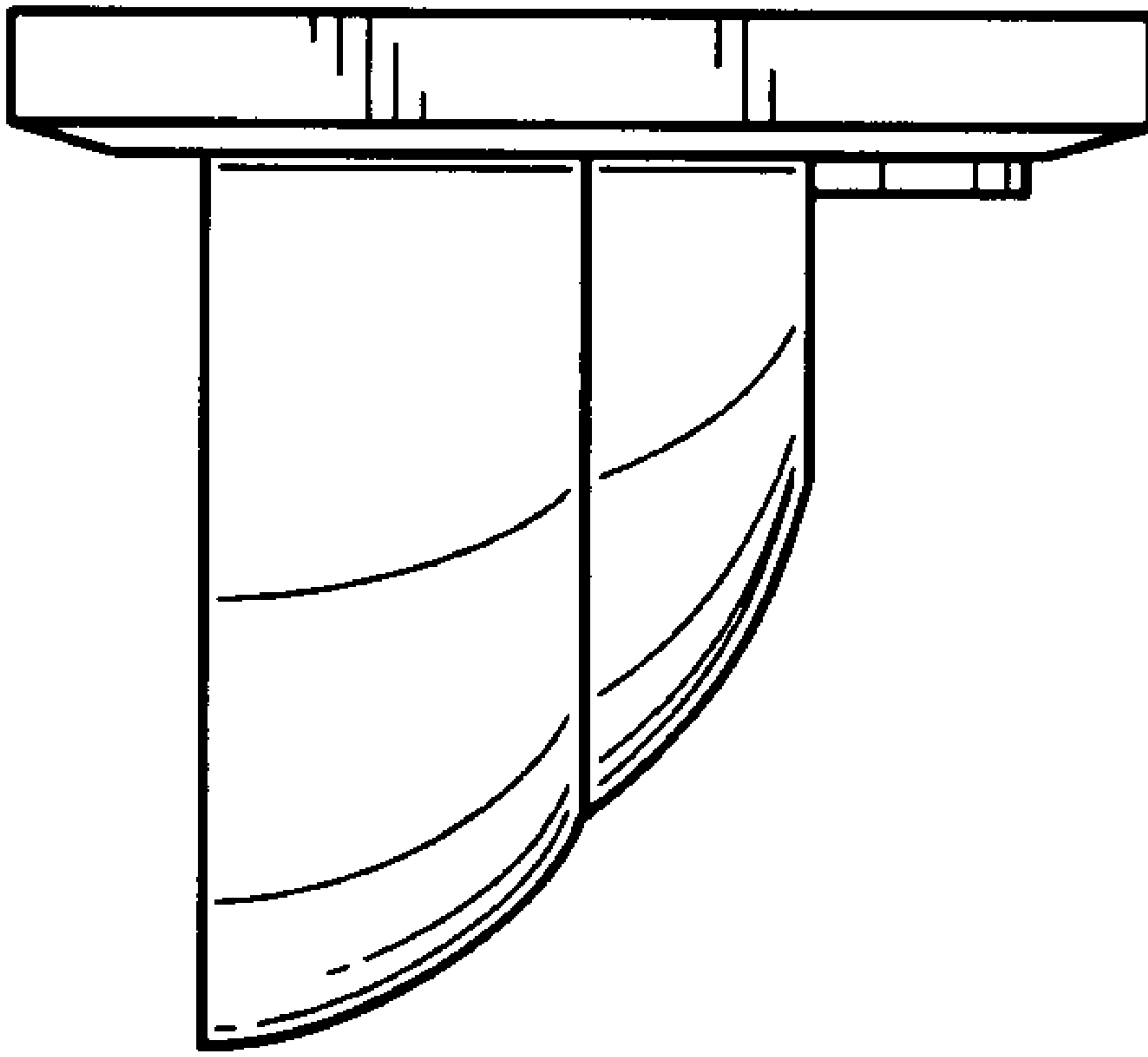


FIG. 3

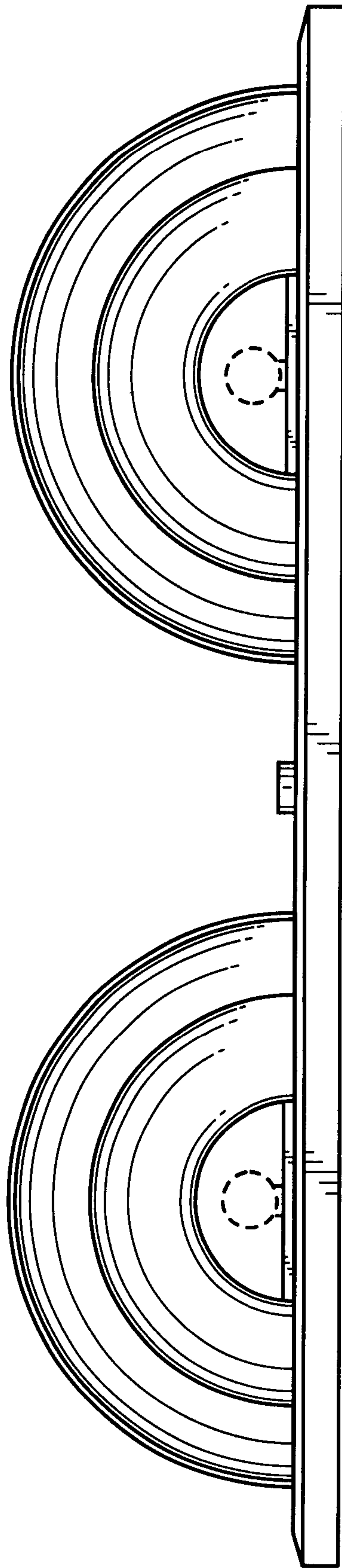


FIG. 4

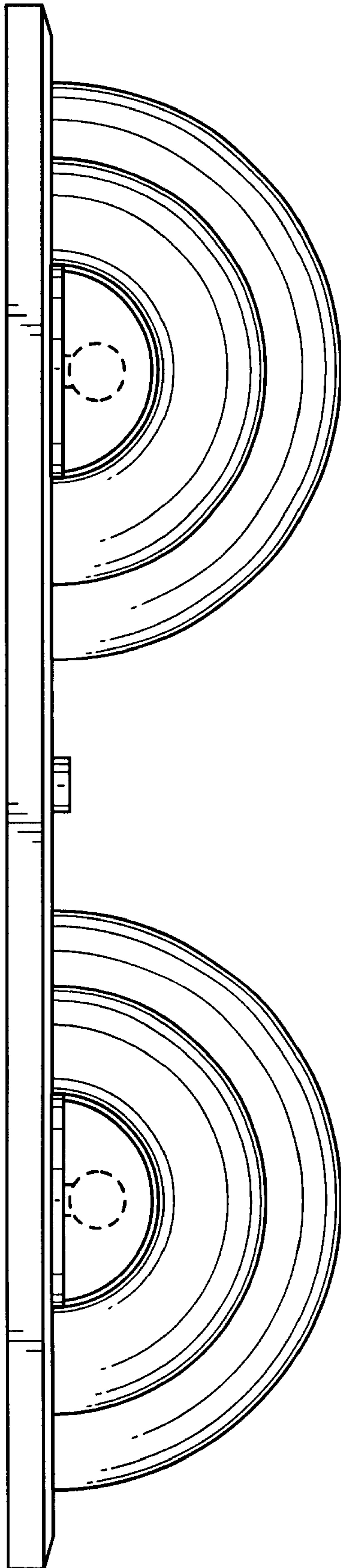


FIG. 5

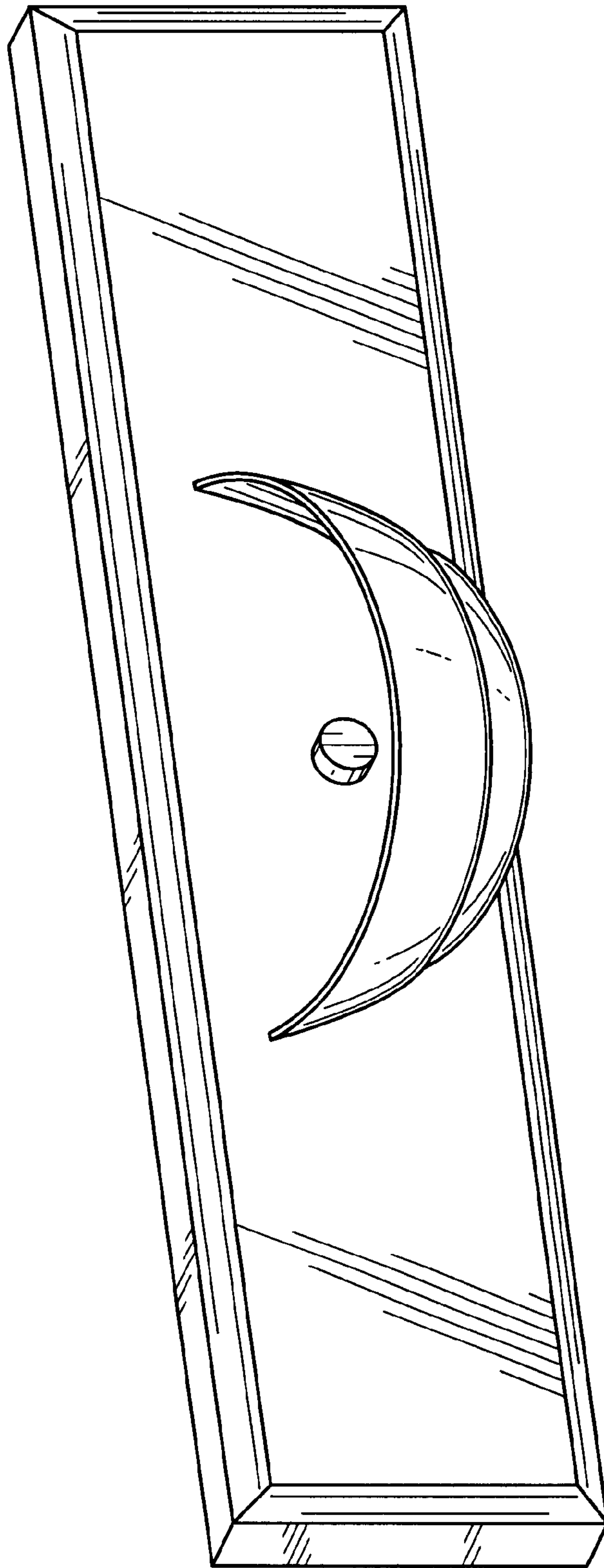


FIG. 6