



US00D443379S

(12) **United States Design Patent**
Xu et al.

(10) **Patent No.:** **US D443,379 S**

(45) **Date of Patent:** **** Jun. 5, 2001**

(54) **LANTERN**

(75) **Inventors:** **Zhiwei Xu; Brian Graves**, both of San Diego; **Joseph Manno**, La Jolla, all of CA (US)

(73) **Assignee:** **Beme International LLC**, San Diego, CA (US)

(**) **Term:** **14 Years**

(21) **Appl. No.:** **29/112,410**

(22) **Filed:** **Oct. 14, 1999**

(51) **LOC (7) Cl.** **26-03**

(52) **U.S. Cl.** **D26/87**

(58) **Field of Search** D26/72-112, 118-137, D26/145; 362/164, 432, 404-414

(56) **References Cited**

U.S. PATENT DOCUMENTS

- D. 48,862 * 4/1916 Hill D26/71
- D. 70,351 * 6/1926 Wolter D26/85
- D. 74,040 * 12/1927 Weber D26/67 X
- D. 81,532 * 7/1930 Gosling D26/88
- D. 230,763 * 3/1974 Hornbostel, Jr. D26/87

OTHER PUBLICATIONS

American Lantern catalog, lamps on pp. 40 and 41, 1989.*

* cited by examiner

Primary Examiner—Alan P. Douglas

Assistant Examiner—Linda Brooks

(74) *Attorney, Agent, or Firm*—Dobrusin Darden Thennisch & Lorenz PC

(57) **CLAIM**

The ornamental design for a lantern, as shown and described.

DESCRIPTION

FIG. 1 shows a perspective view of a lantern incorporating the design.

FIG. 2 shows a rear elevational view of the lantern shown in FIG. 1.

FIG. 3 shows a left side elevational view of the lantern shown in FIG. 1, the right side view being the mirror image of the left side elevational view.

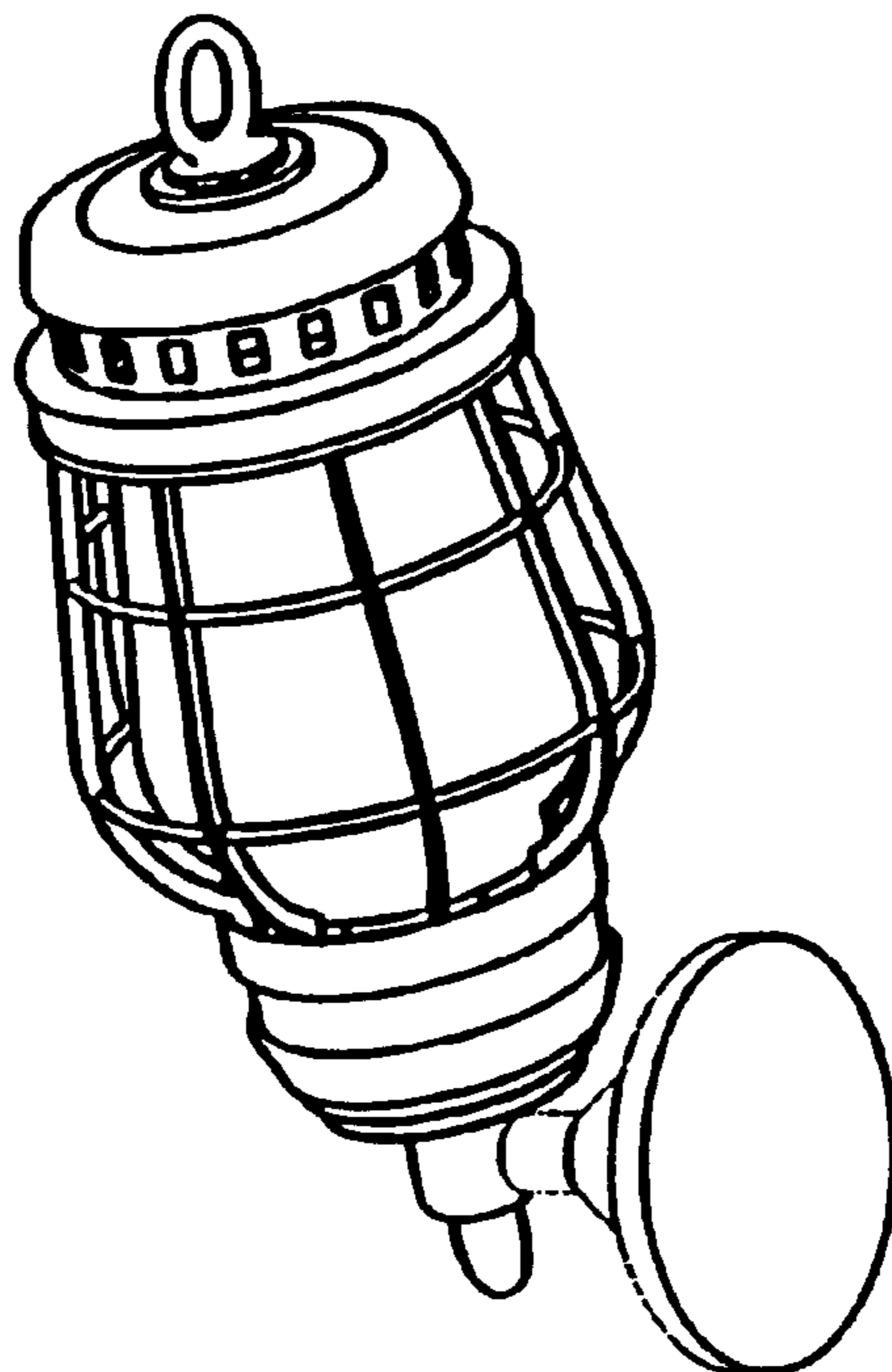
FIG. 4 shows a front elevational view of the lantern shown in FIG. 1.

FIG. 5 shows a bottom plan view of the lantern shown in FIG. 1; and,

FIG. 6 shows a top plan view of the lantern shown in FIG. 1.

The broken lines shown are for illustrative purposes only and form no part of the claimed design.

1 Claim, 1 Drawing Sheet



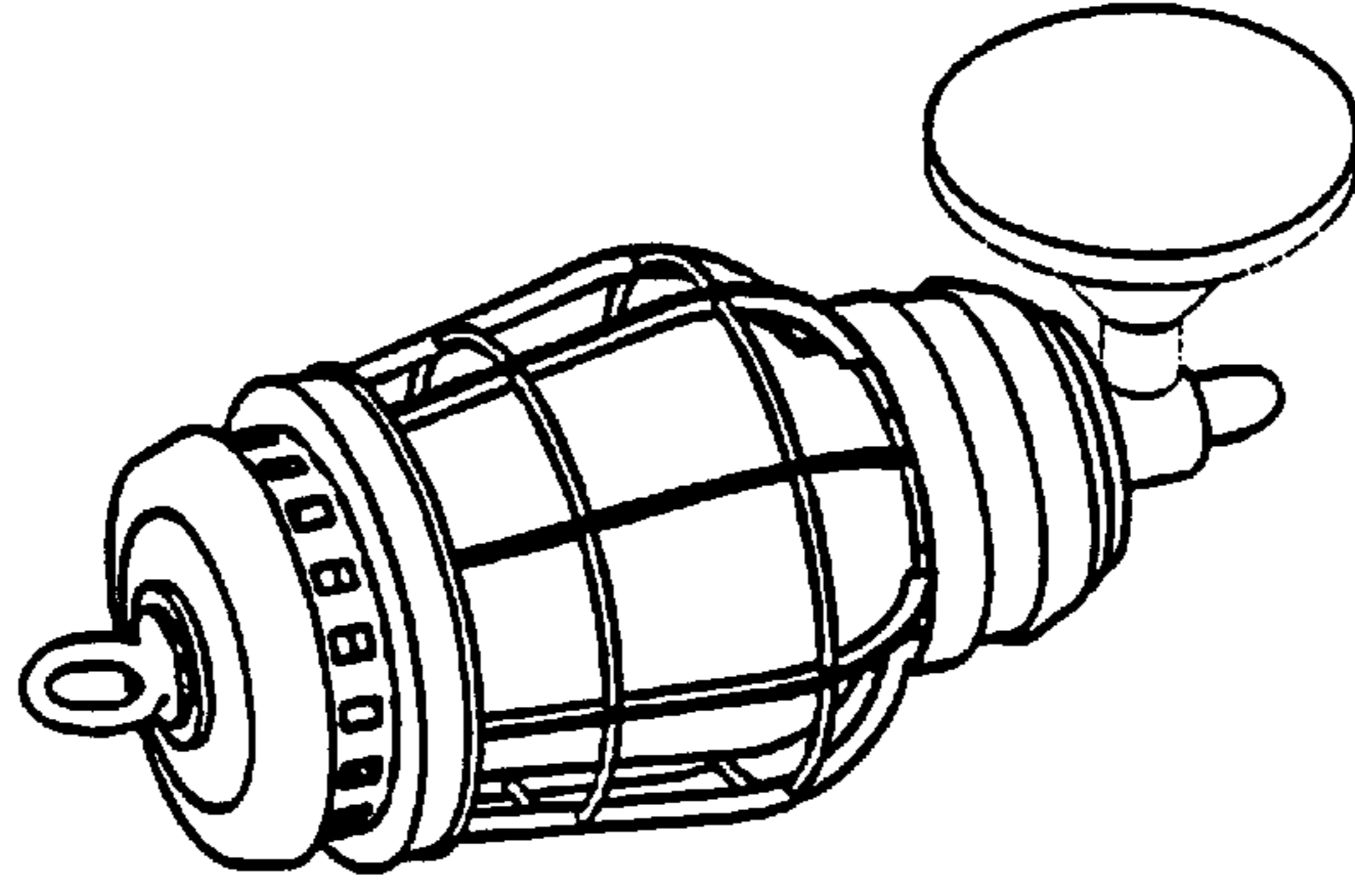


FIG. 1

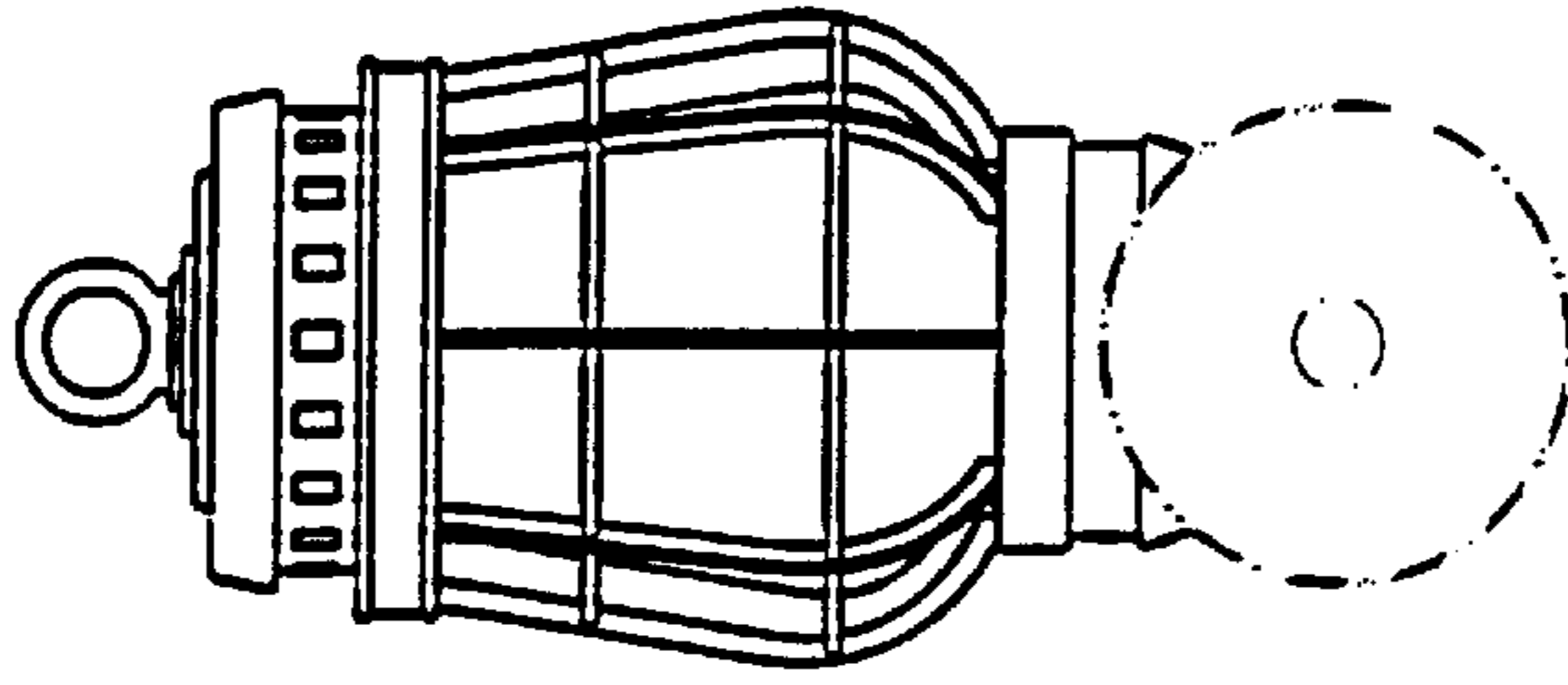


FIG. 2

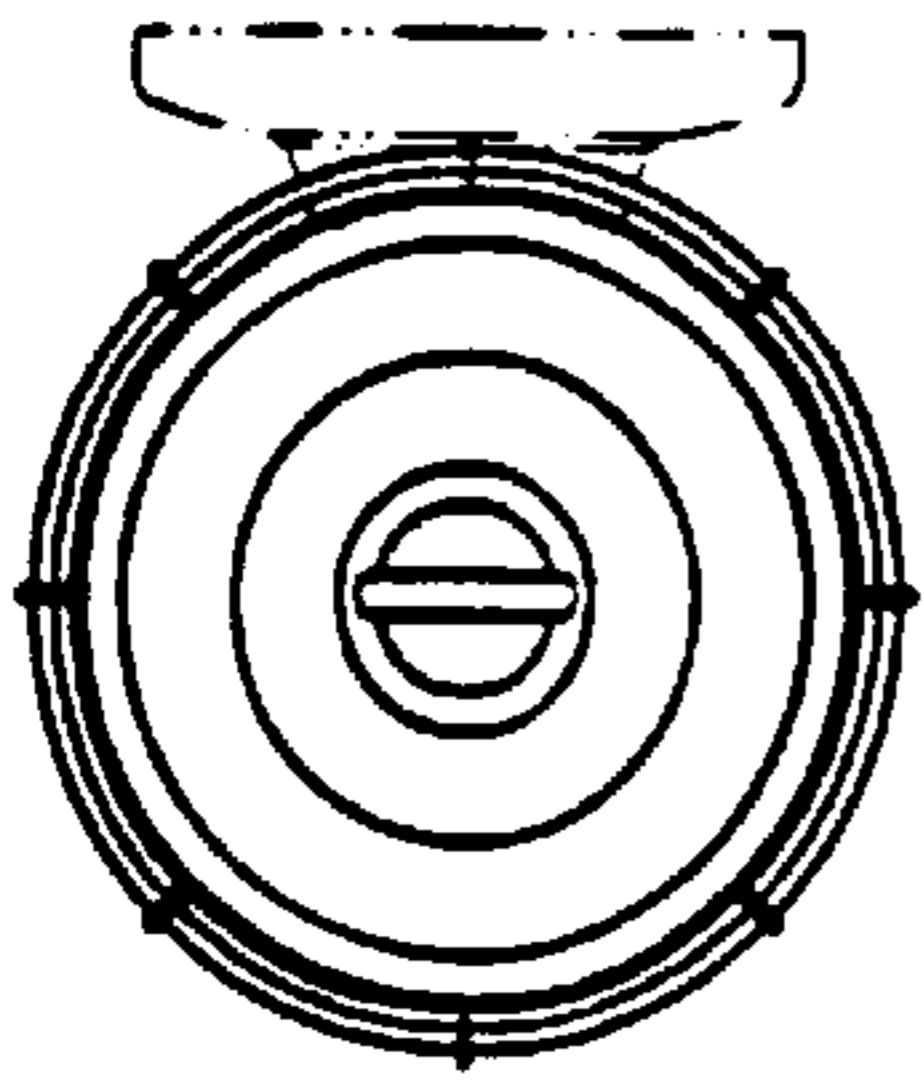


FIG. 6

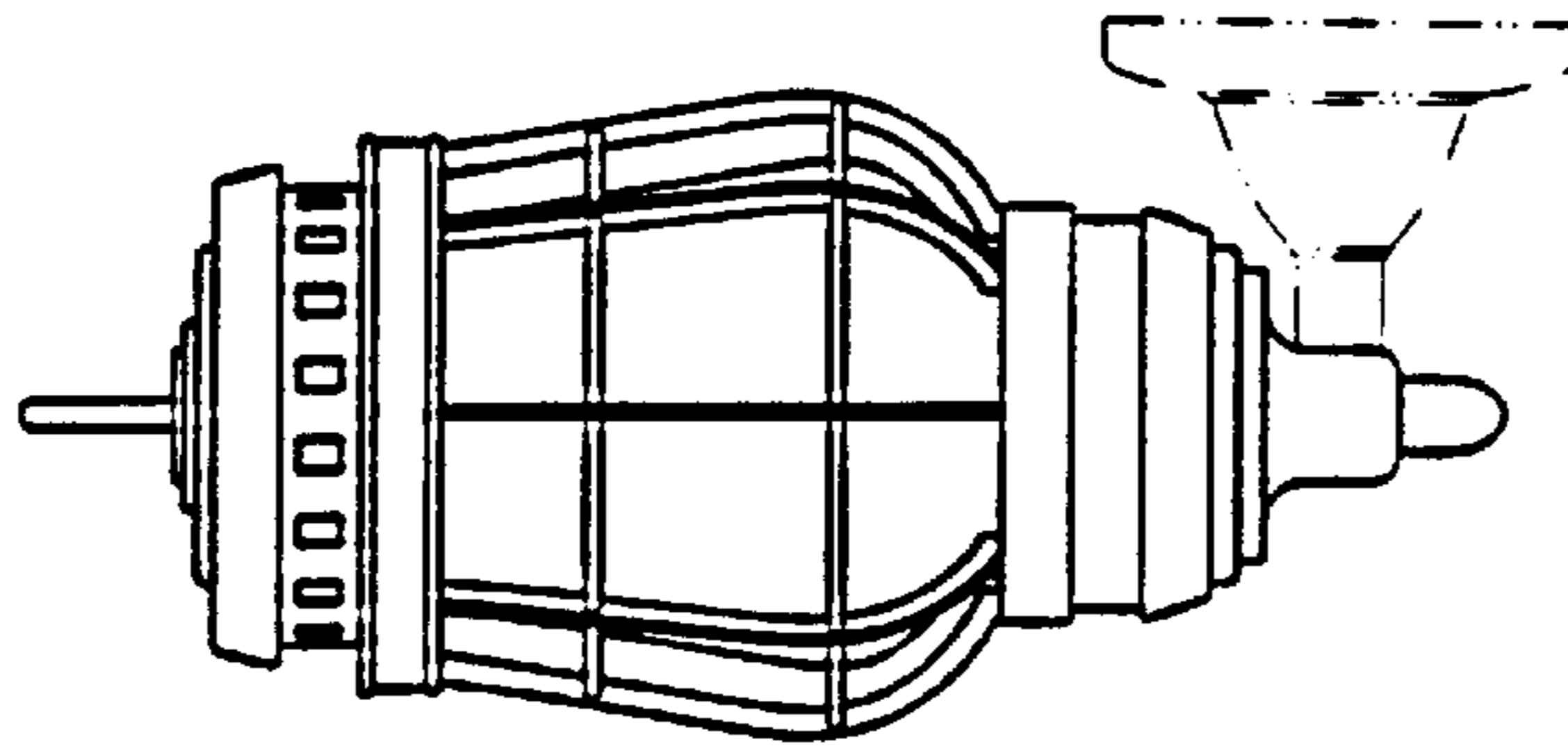


FIG. 3

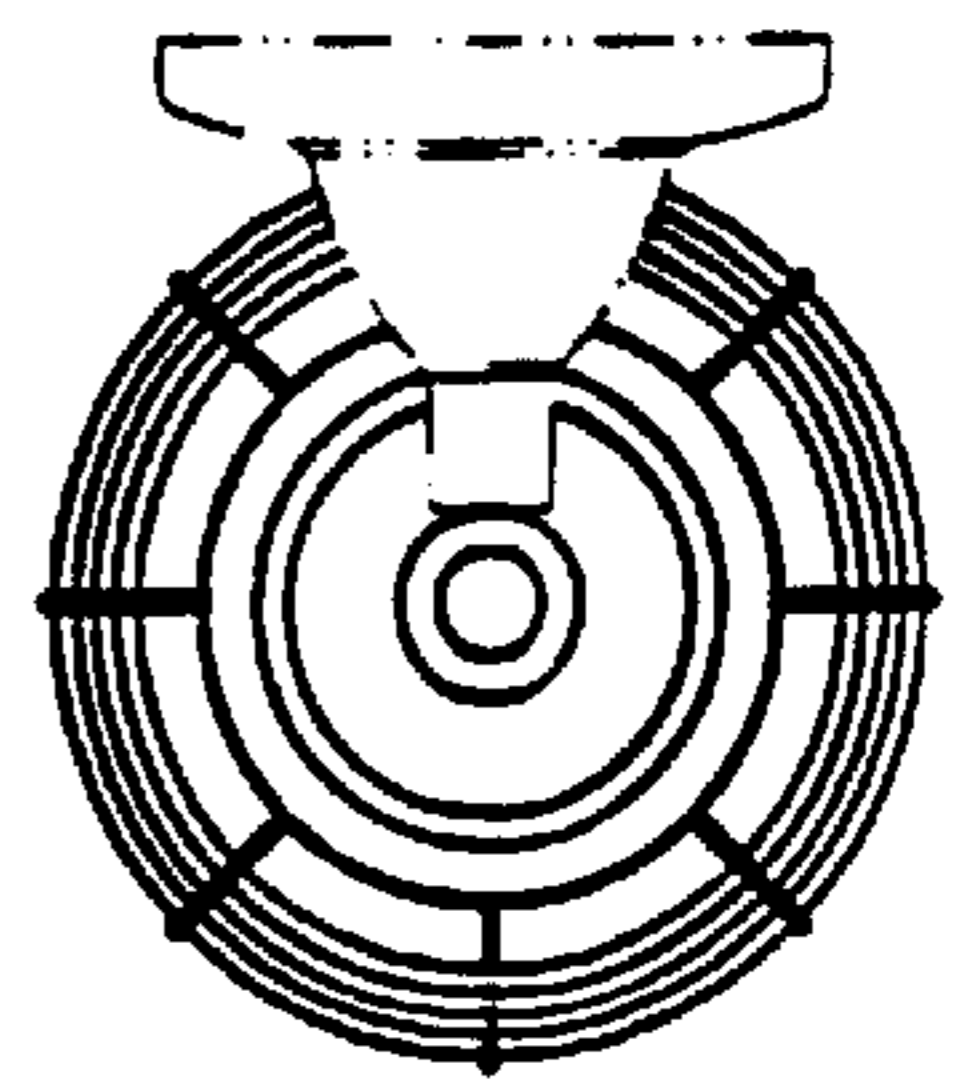


FIG. 5

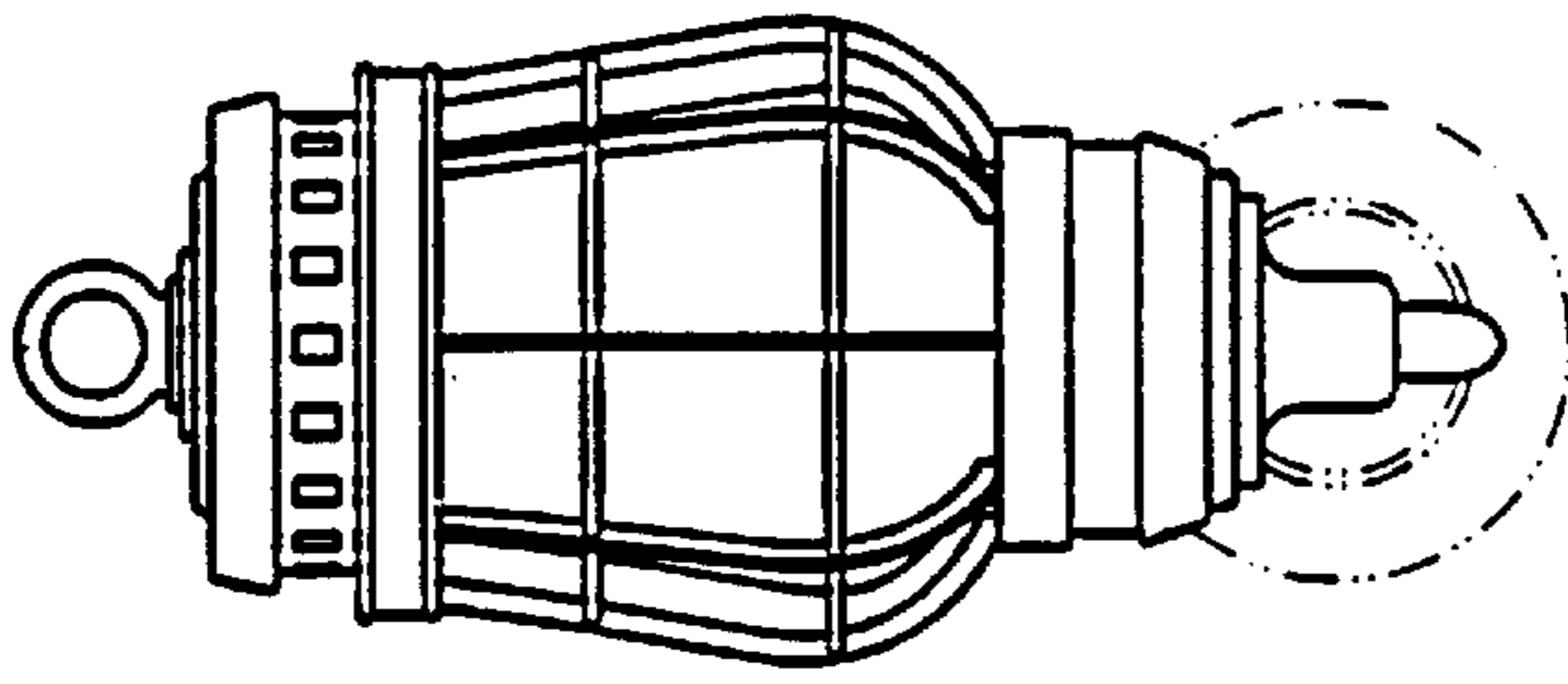


FIG. 4