



US00D443378S

(12) **United States Design Patent**  
**Hsu**

(10) **Patent No.:** **US D443,378 S**

(45) **Date of Patent:** **\*\* Jun. 5, 2001**

(54) **PENDENT LAMP**

(75) Inventor: **Keen Hsu**, Taichung (TW)

(73) Assignee: **Bright Yin Huey Co., Ltd.**, Taichung (TW)

(\*\*) Term: **14 Years**

(21) Appl. No.: **29/104,535**

(22) Filed: **May 6, 1999**

(51) **LOC (7) Cl.** ..... **26-05**

(52) **U.S. Cl.** ..... **D26/84**

(58) **Field of Search** ..... D26/72, 80-92;  
362/147, 404-408

(56) **References Cited**

**U.S. PATENT DOCUMENTS**

D. 422,740 \* 4/2000 Hsu ..... D26/87

**OTHER PUBLICATIONS**

Quoizel lighting catalog, 1997, p. 21, hanging lamp, # AE204Z.\*

Sea Gull lighting catalog, 1996, p. 84, hanging lamp# 6193-93.\*

\* cited by examiner

*Primary Examiner*—Susan J. Lucas

(74) *Attorney, Agent, or Firm*—Rosenberg, Klein & Lee

(57) **CLAIM**

The ornamental design for a pendent lamp, as shown and described.

**DESCRIPTION**

FIG. 1 is a perspective view of a pendent lamp showing my new design;

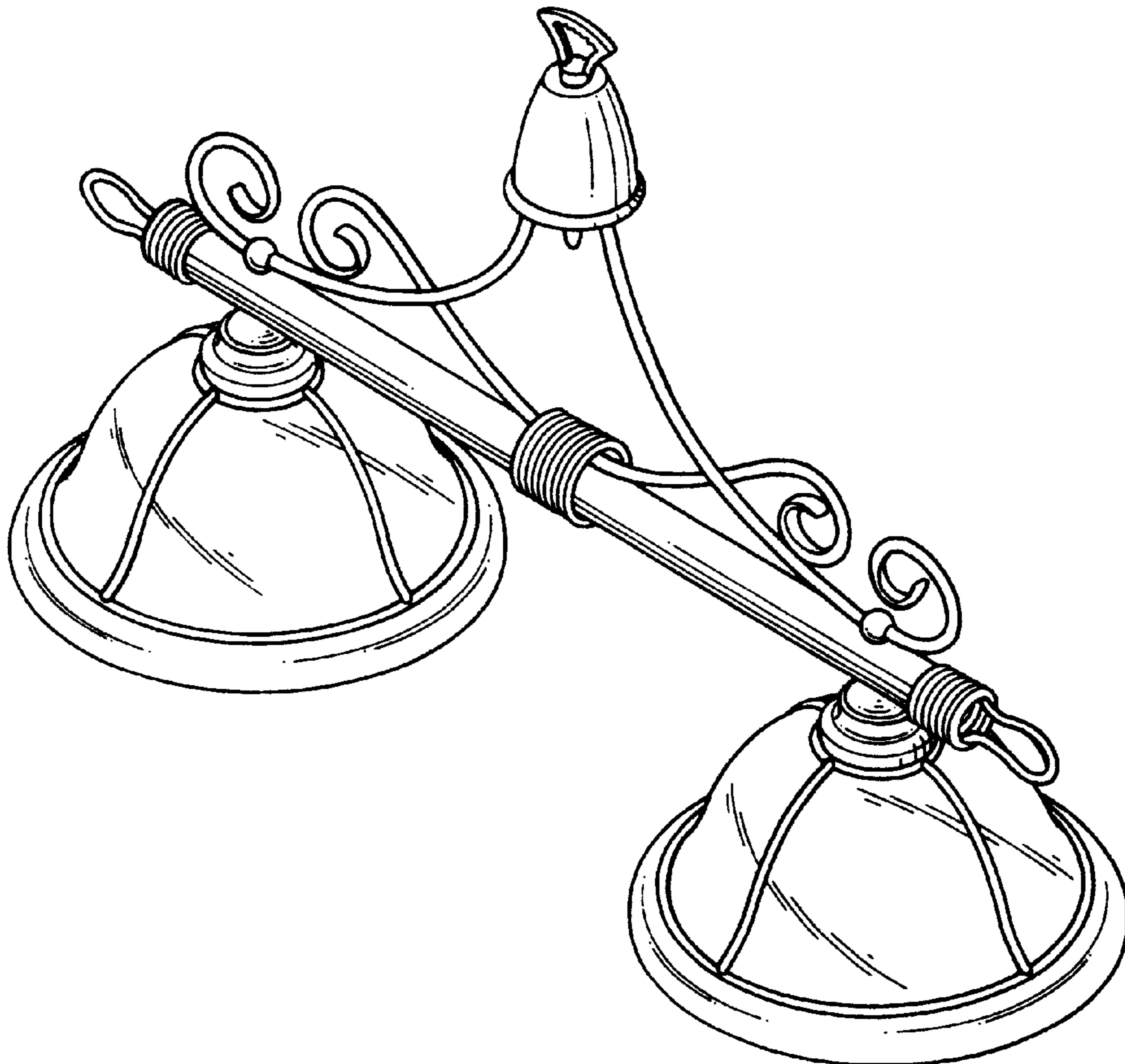
FIG. 2 is a front elevation view thereof, the rear elevation view thereof being identical in appearance;

FIG. 3 is a left side elevation view thereof, the right side elevation view thereof being identical in appearance;

FIG. 4 is a top plan view thereof; and,

FIG. 5 is a bottom plan view thereof.

**1 Claim, 3 Drawing Sheets**



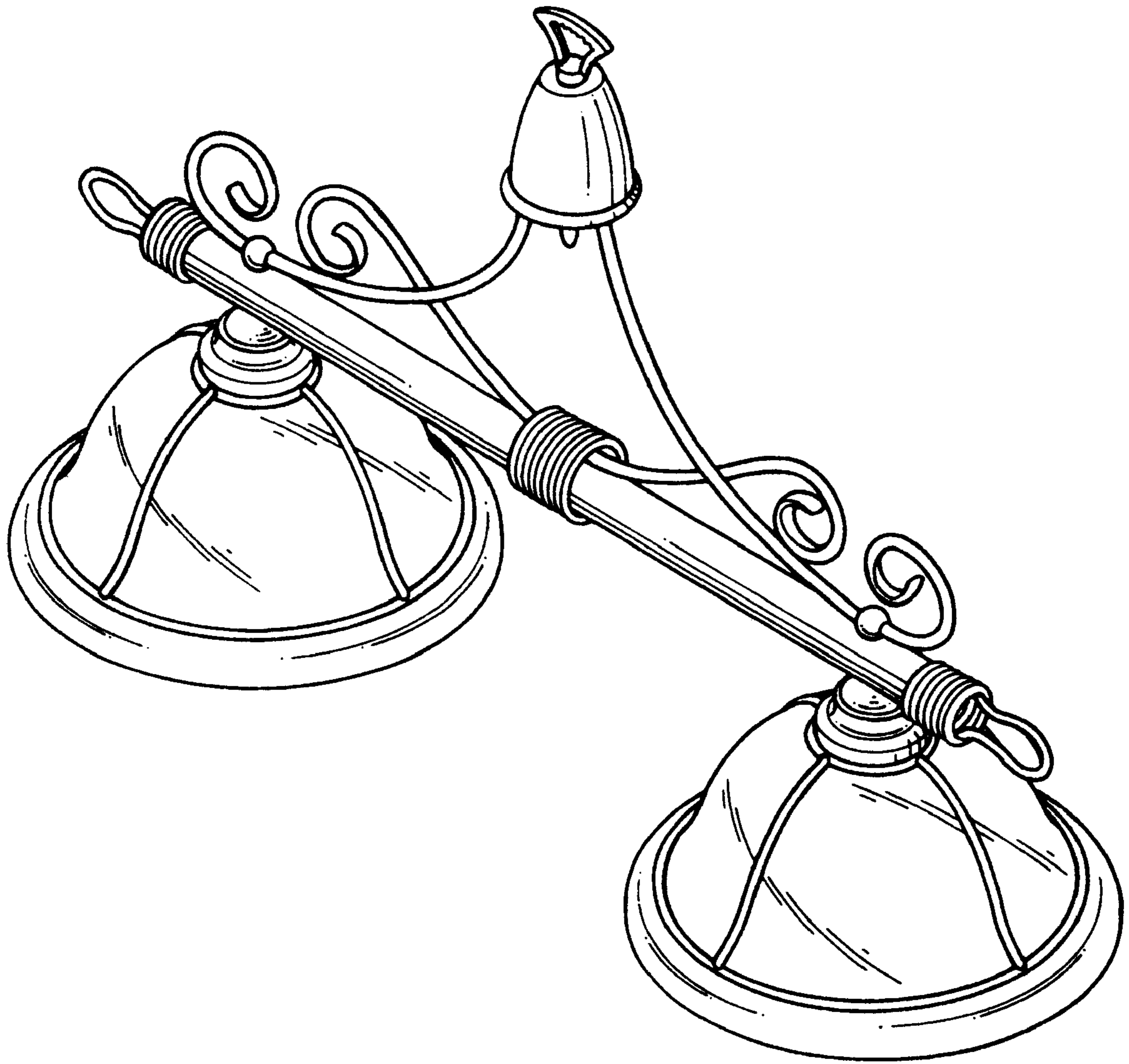


FIG. 1

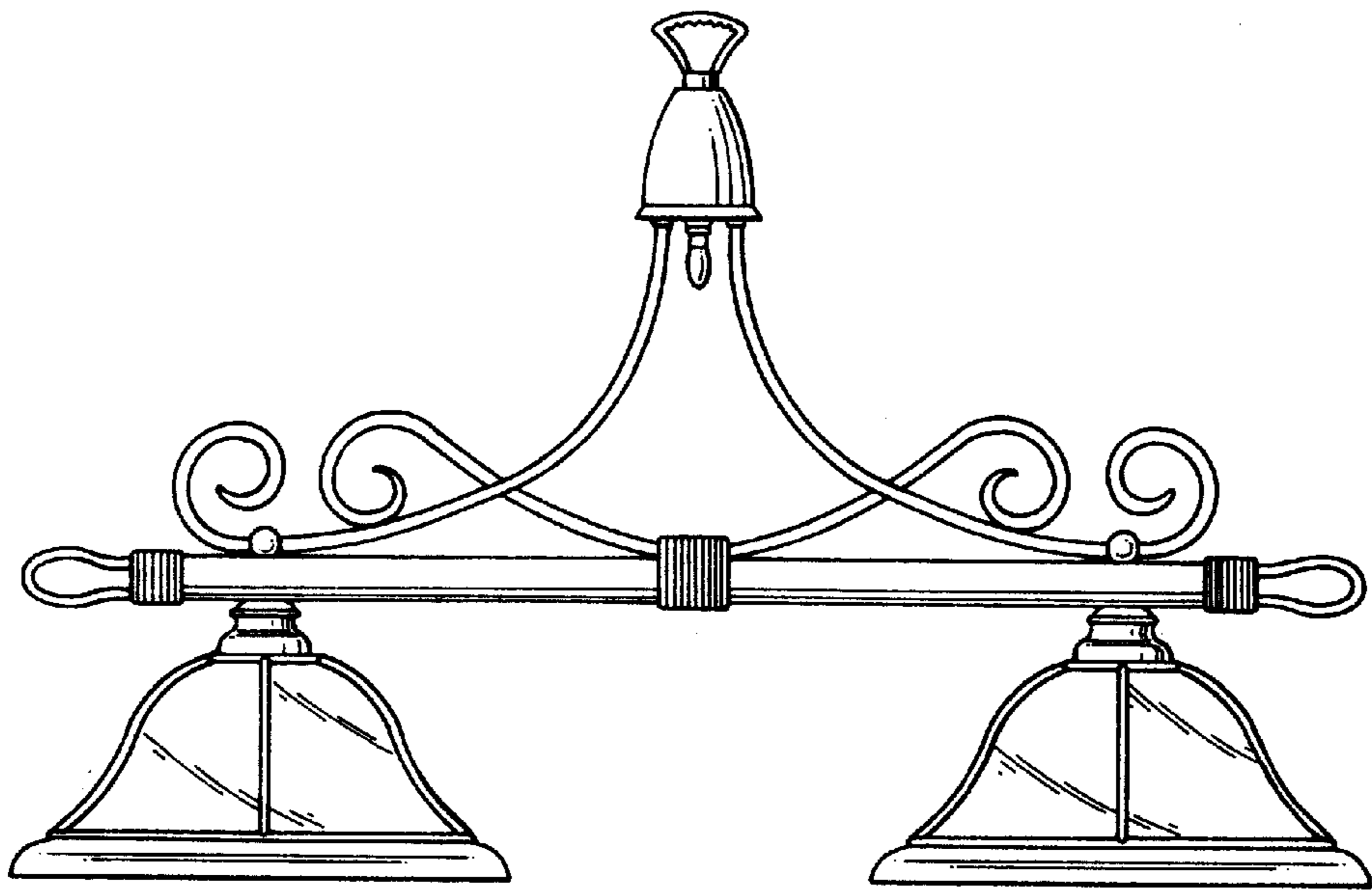


FIG. 2

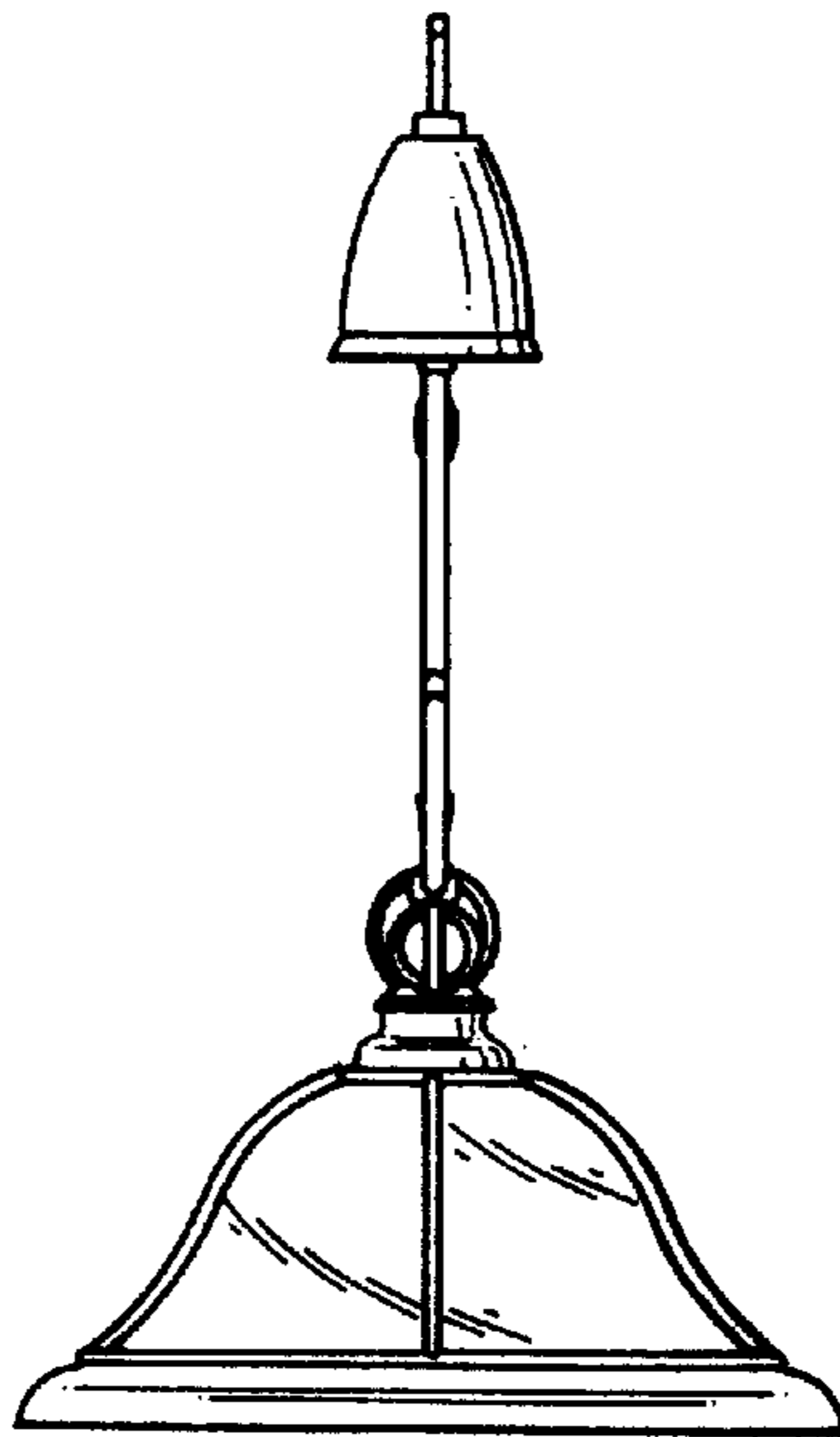


FIG. 3

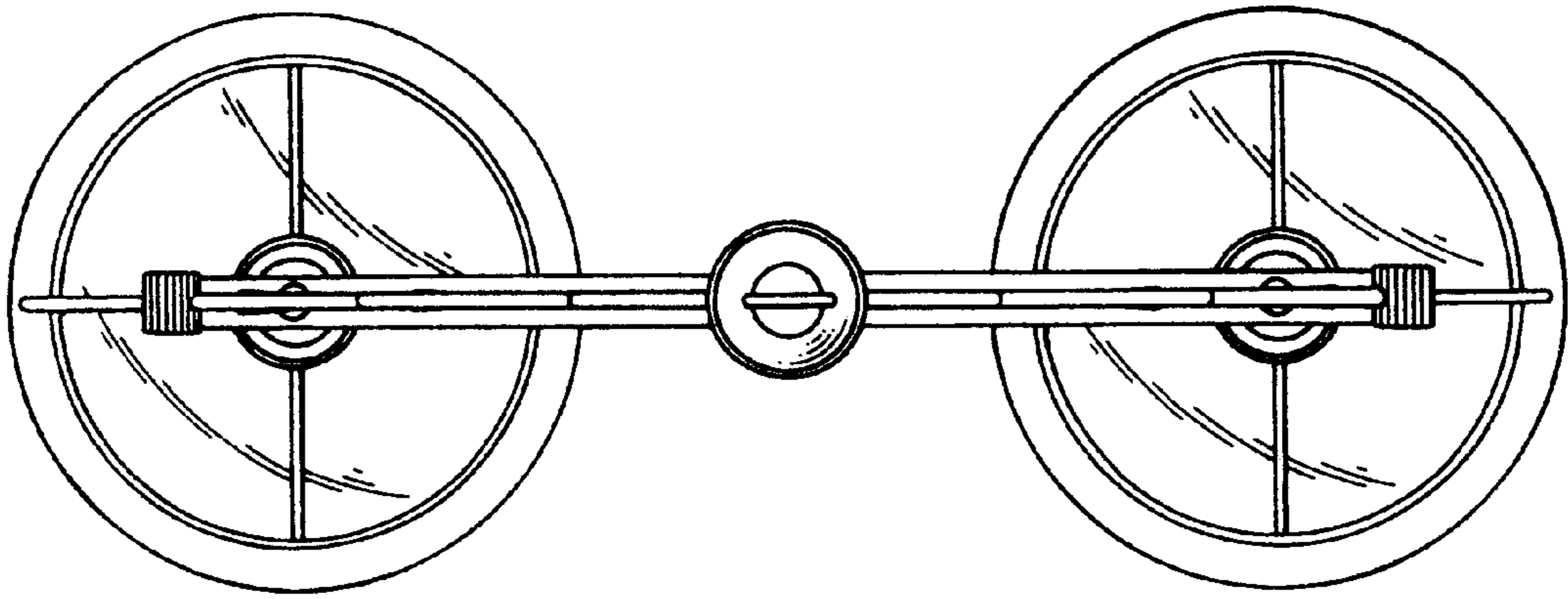


FIG. 4

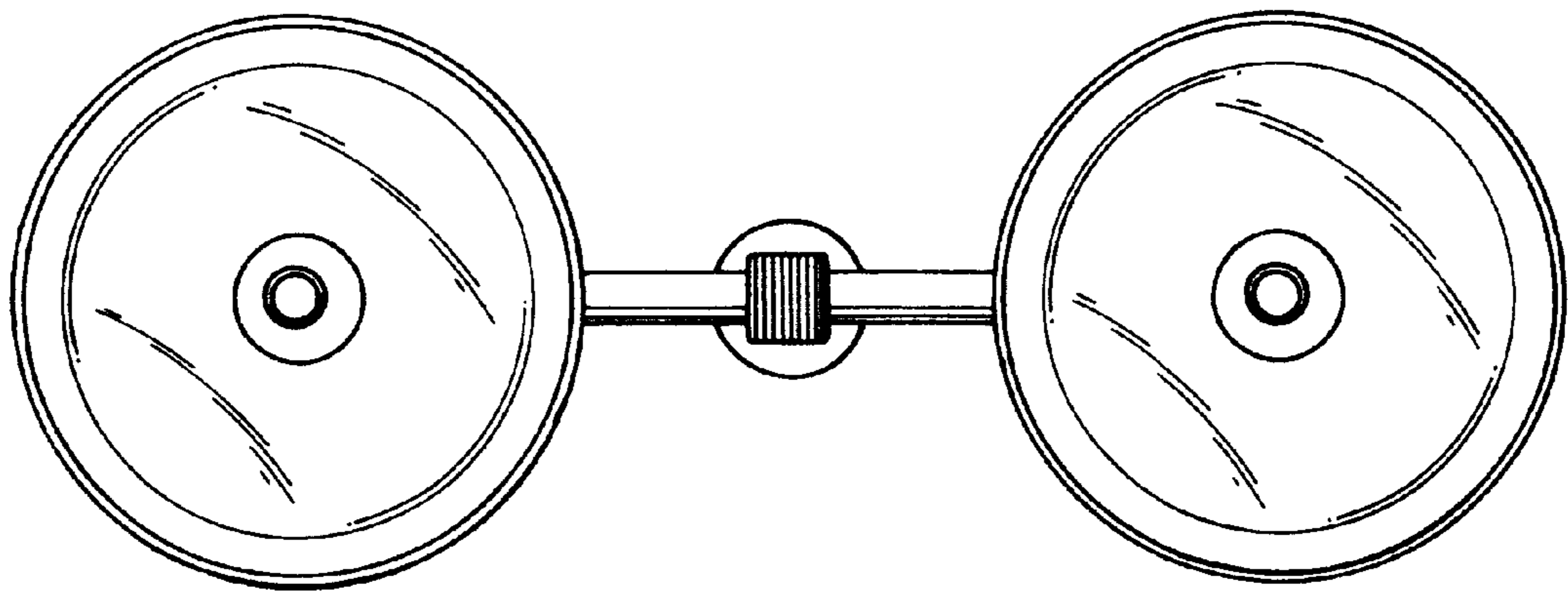


FIG. 5