



US00D443369S

(12) **United States Design Patent**
Hsu

(10) **Patent No.:** **US D443,369 S**

(45) **Date of Patent:** **** Jun. 5, 2001**

(54) **CANDLE LANTERN**

(75) Inventor: **Peter Hsu**, Taichung (TW)

(73) Assignee: **Dong Guan Bright Yin Huey Lighting Co., Ltd.**, Guang Dong (CN)

(**) Term: **14 Years**

(21) Appl. No.: **29/128,988**

(22) Filed: **Sep. 7, 2000**

(51) **LOC (7) Cl.** **26-01**

(52) **U.S. Cl.** **D26/9; D26/11**

(58) **Field of Search** **D26/9, 37, 96, D26/101, 104, 107; 362/161-163**

(56) **References Cited**

U.S. PATENT DOCUMENTS

- D. 278,008 * 3/1985 Chan et al. D26/9
- D. 412,759 * 8/1999 Hardy D26/9
- D. 430,334 * 8/2000 Hsu D26/104

OTHER PUBLICATIONS

Lighting catalog; item #BG-0780; p. 93, design digest Nov. 1999.*

* cited by examiner

Primary Examiner—Robin V. Taylor

(74) *Attorney, Agent, or Firm*—Rosenberg, Klein & Lee

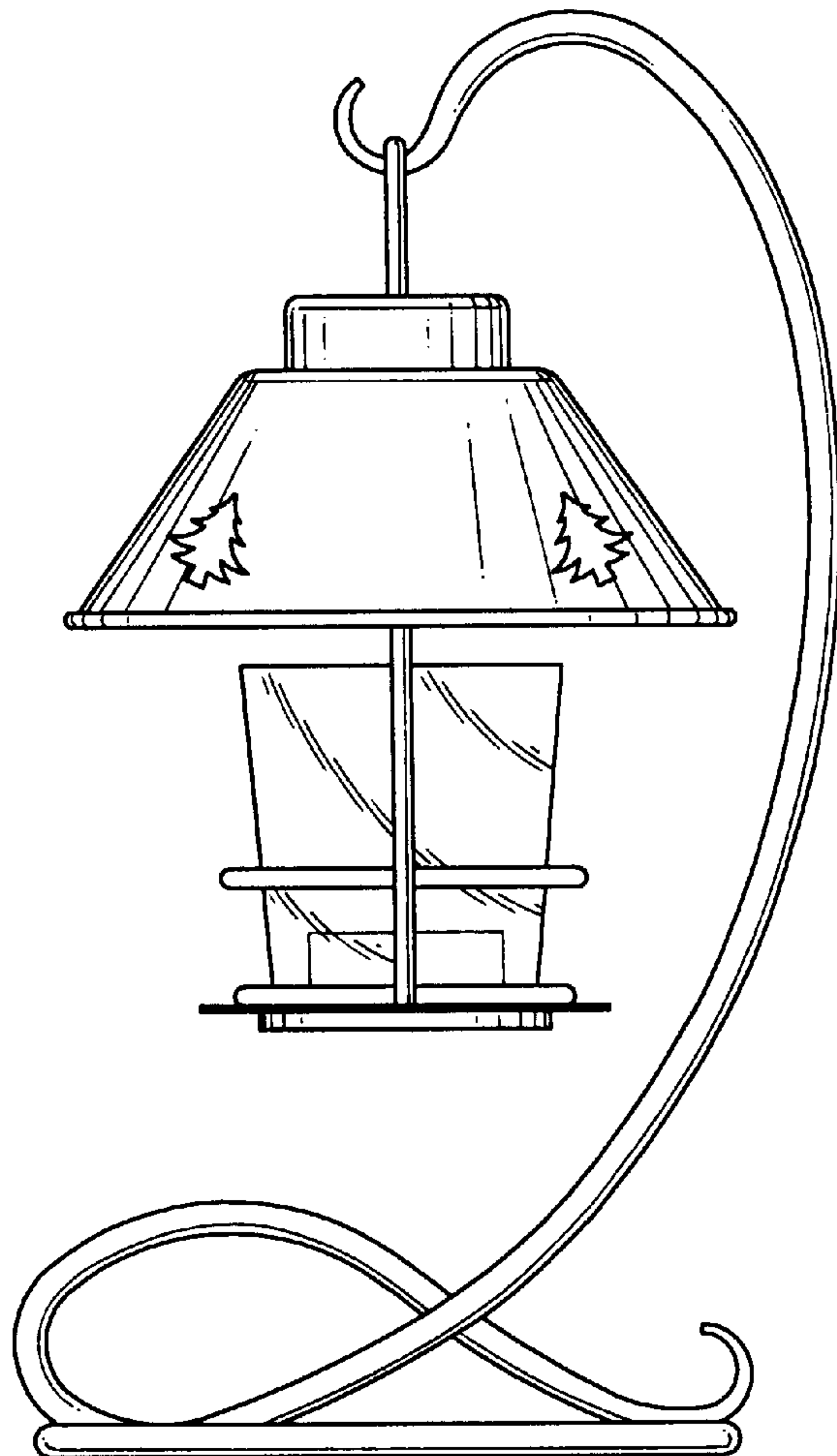
(57) **CLAIM**

The ornamental design for a candle lantern, as shown and described.

DESCRIPTION

FIG. 1 is a perspective view of candle lantern showing my new design;
 FIG. 2 is a front elevation view thereof;
 FIG. 3 is a rear elevation view thereof;
 FIG. 4 is a left side elevation view thereof;
 FIG. 5 is a right side elevation view thereof;
 FIG. 6 is a top plan view thereof; and,
 FIG. 7 is a bottom plan view thereof.

1 Claim, 4 Drawing Sheets



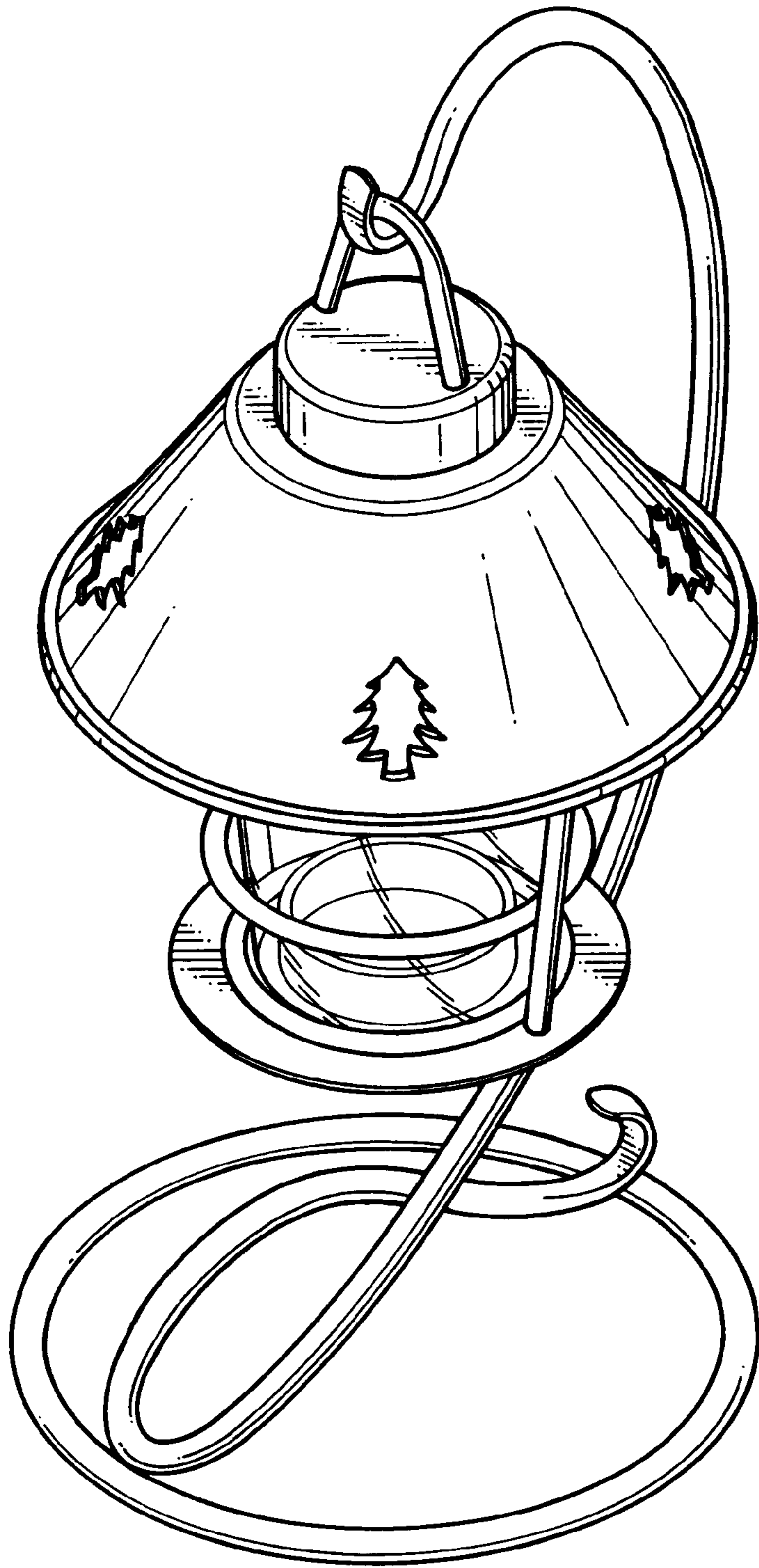


FIG. 1

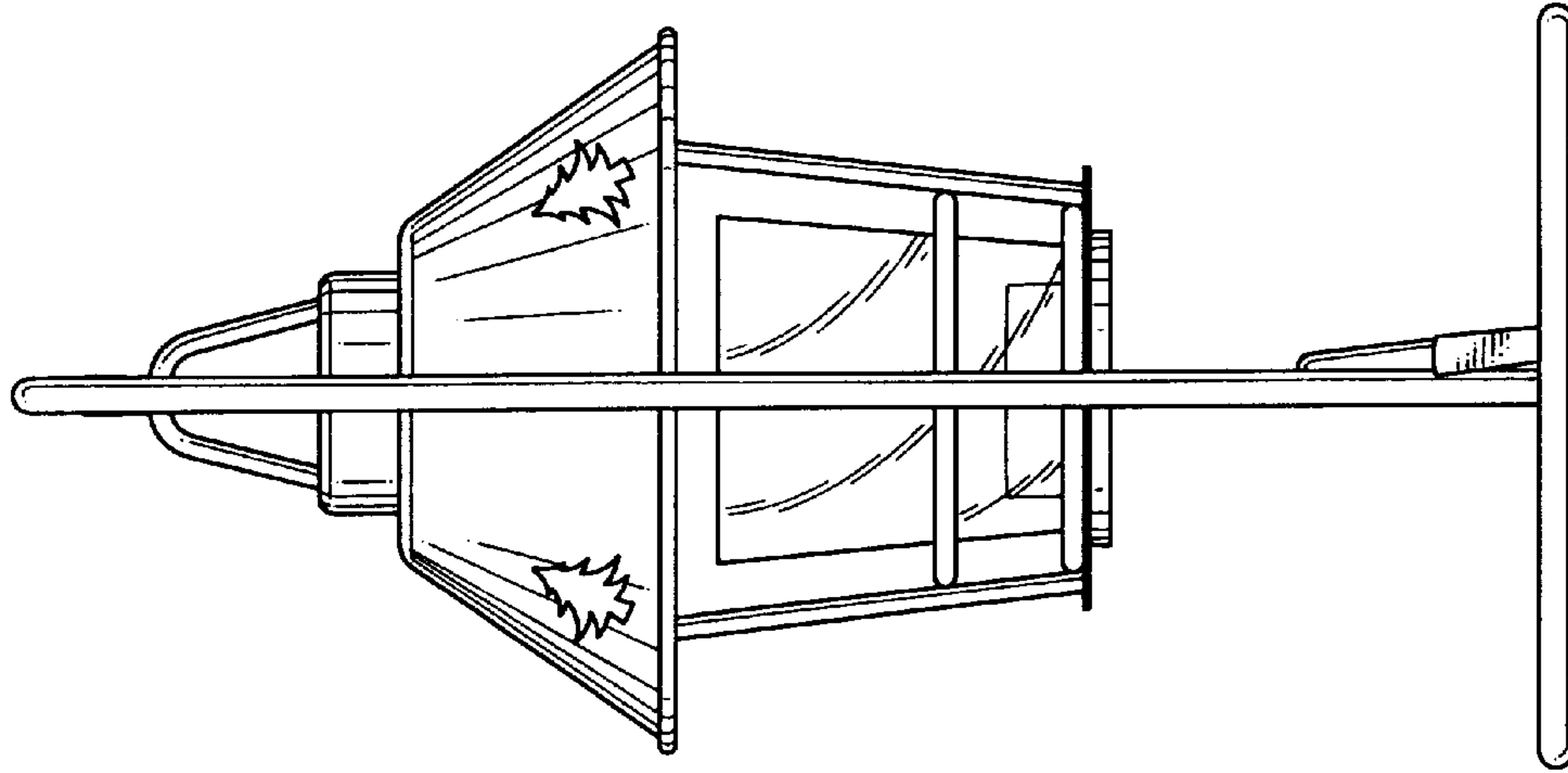


FIG. 3

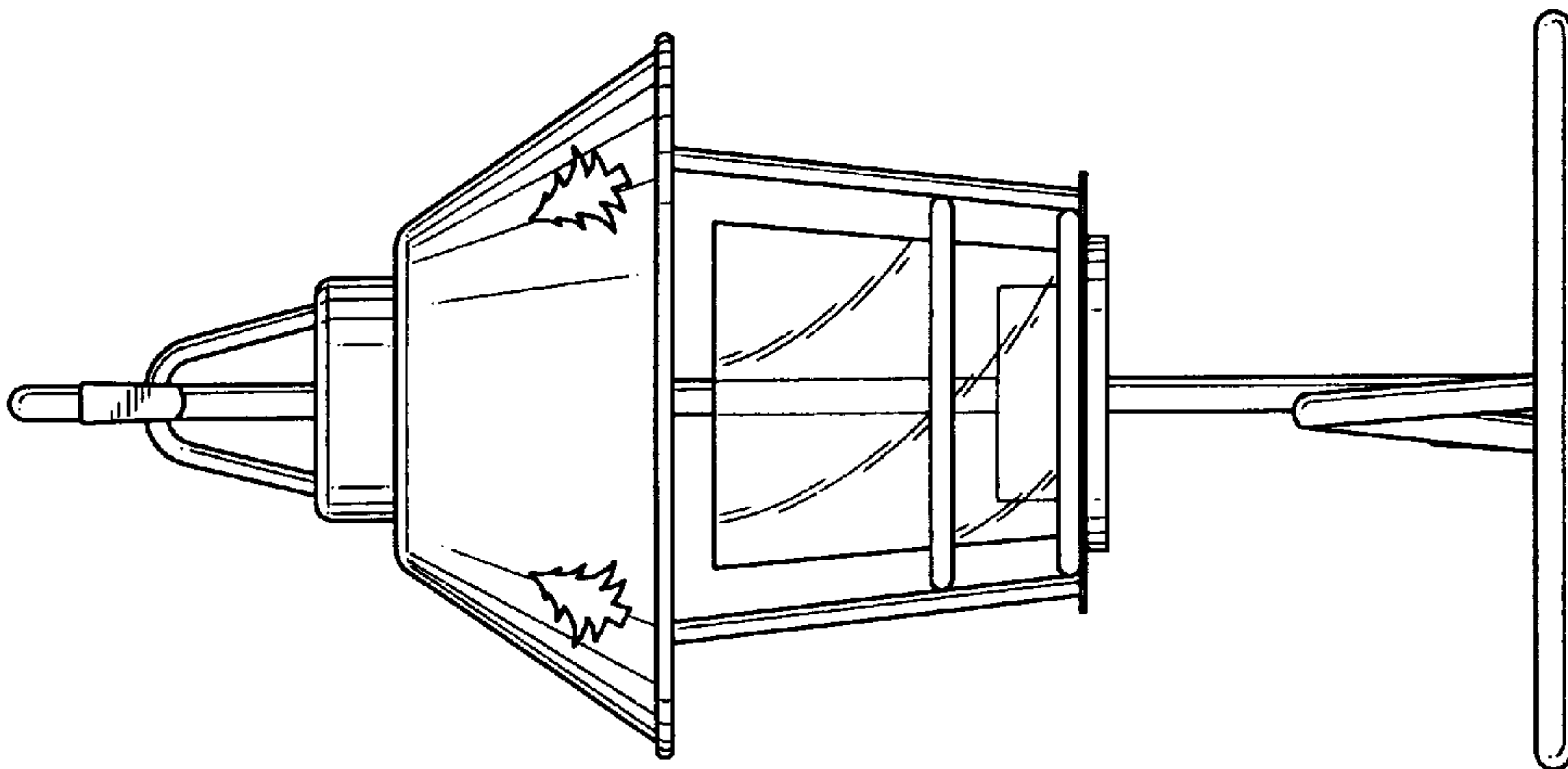


FIG. 2

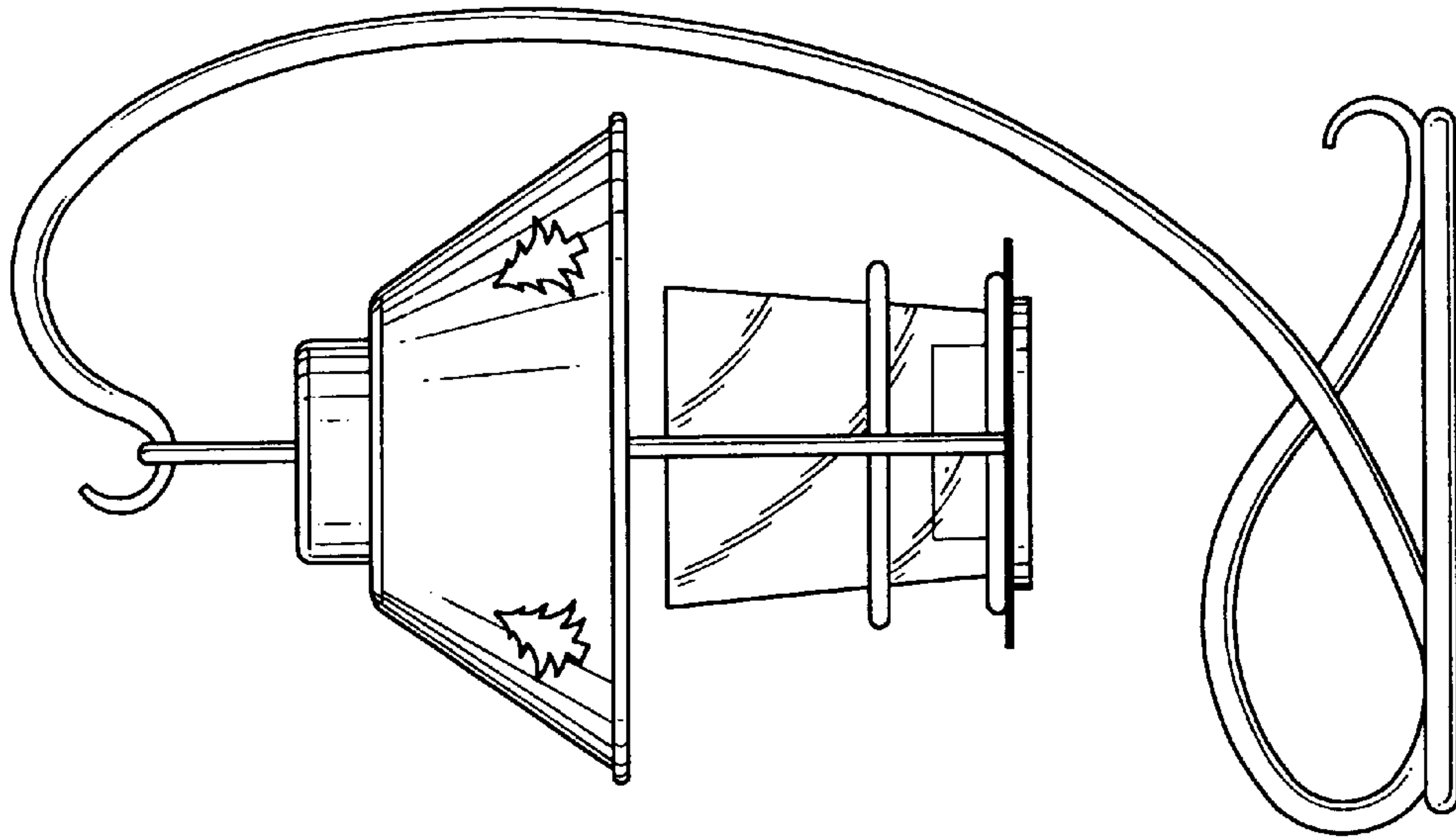


FIG. 5

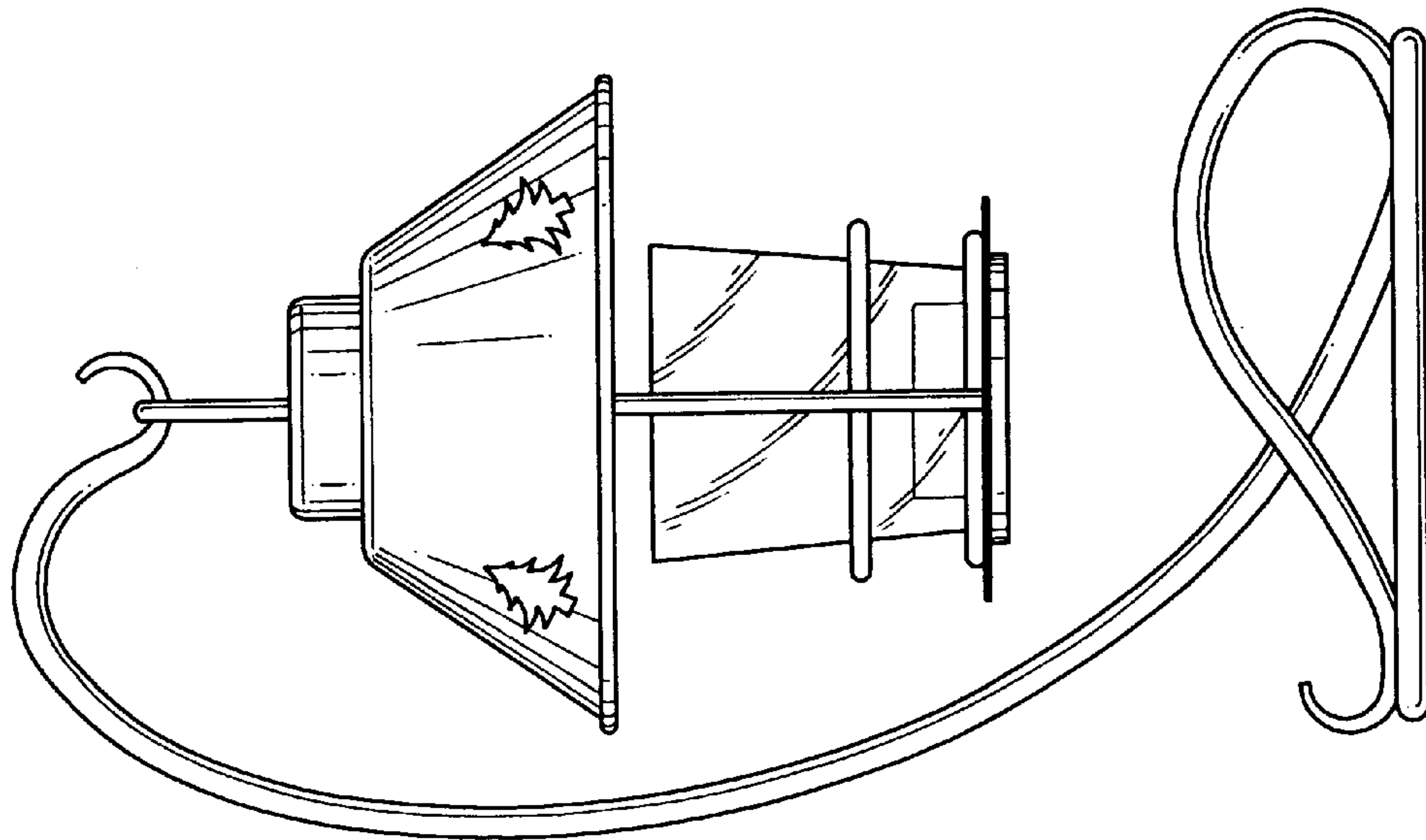


FIG. 4

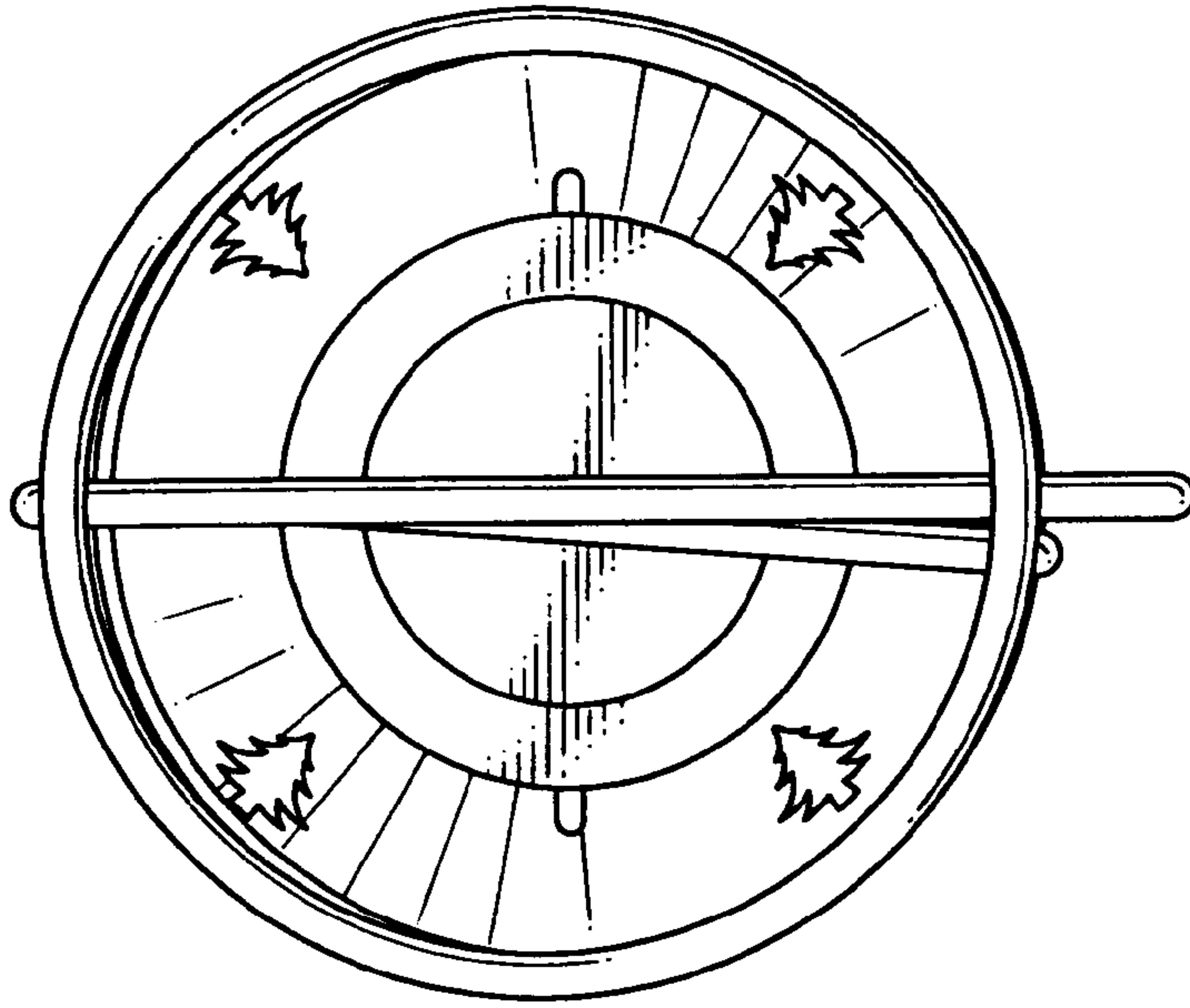


FIG. 7

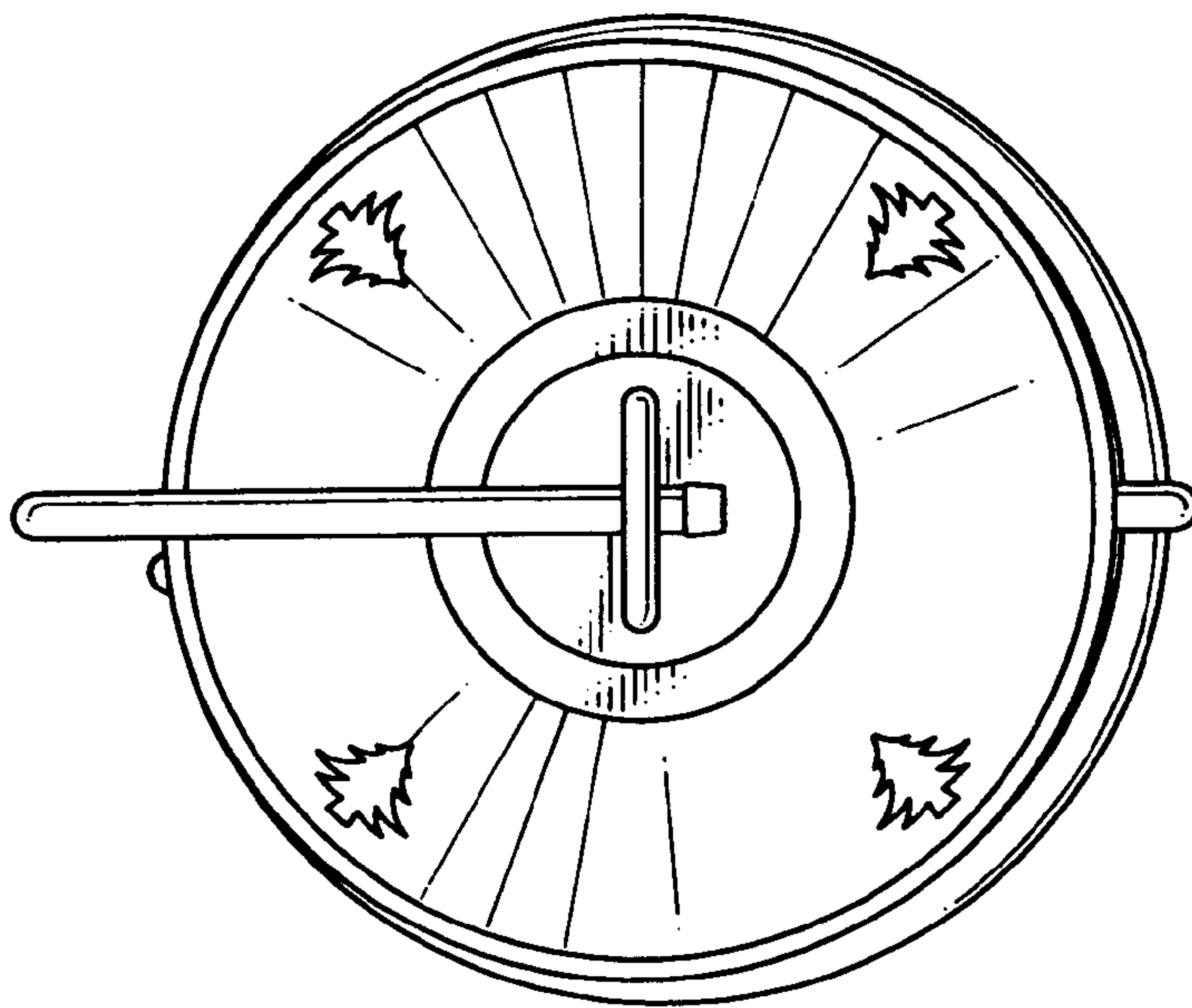


FIG. 6