



US00D443367S

(12) **United States Design Patent**
Janesky

(10) **Patent No.:** **US D443,367 S**

(45) **Date of Patent:** **** Jun. 5, 2001**

(54) **FLOOR-WALL INTERFACE DRAIN PANEL**

Primary Examiner—Doris Clark

(74) *Attorney, Agent, or Firm*—Tod A. Myrum

(76) **Inventor:** **Lawrence Mark Janesky**, 11 Fawn Meadow La., Shelton, CT (US) 06484

(**) **Term:** **14 Years**

(57) **CLAIM**

I claim the ornamental design for a floor-wall interface drain panel, as shown.

(21) **Appl. No.:** **29/123,866**

(22) **Filed:** **May 26, 2000**

DESCRIPTION

(51) **LOC (7) Cl.** **25-01**

(52) **U.S. Cl.** **D25/119; D25/138**

(58) **Field of Search** D25/138, 164, D25/199; 52/127.3, 169.5, 169.14; 405/43, 45, 48, 36, 50

FIG. 1 is an isometric view of a floor-wall interface drain panel showing my new design;
FIG. 2 is a front elevational view thereof;
FIG. 3 is a back elevational view thereof;
FIG. 4 is a side elevational view thereof, looking from the right side of FIG. 1;
FIG. 5 is a top plan view thereof; and,
FIG. 6 is a bottom view thereof.

(56) **References Cited**

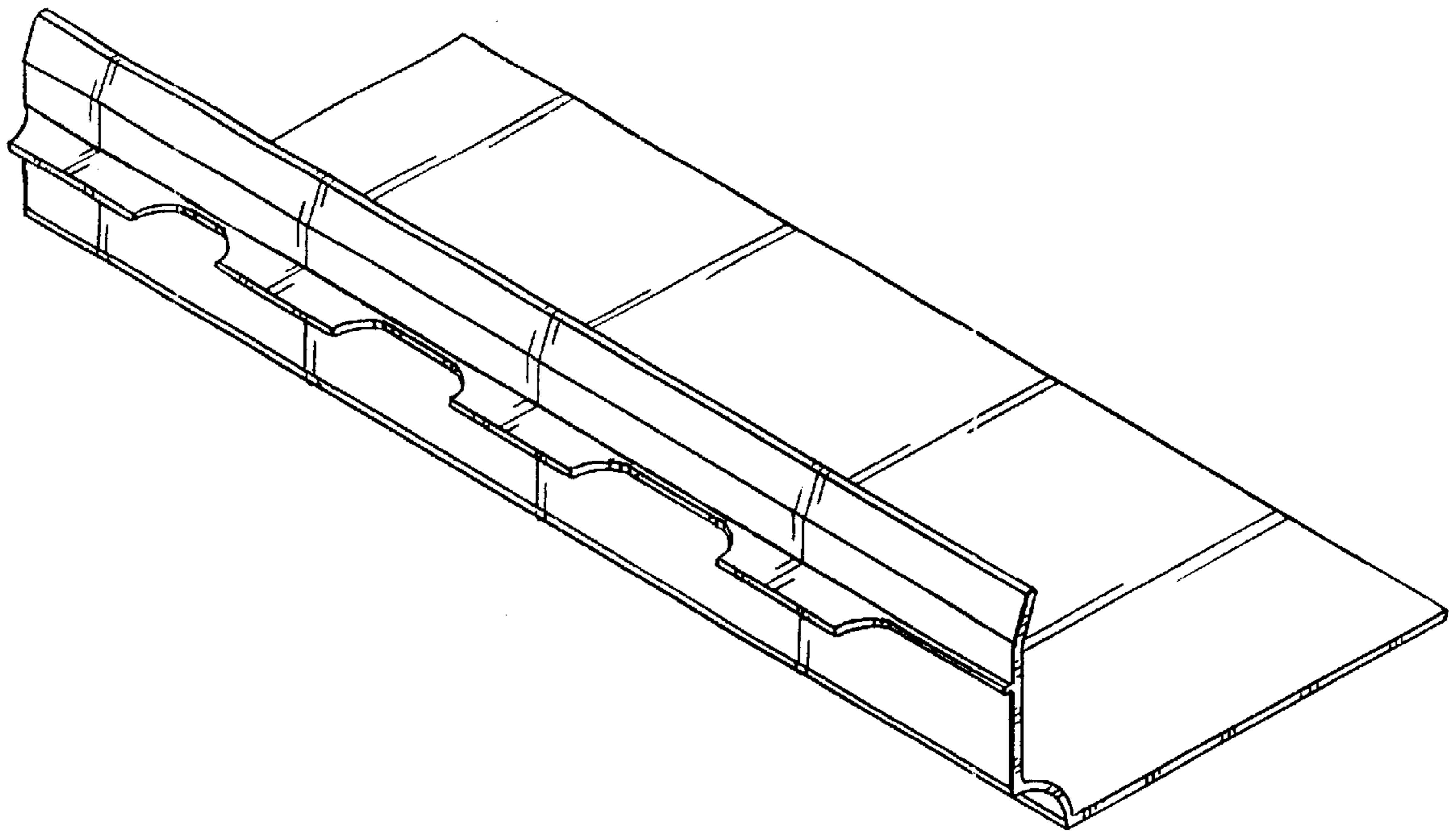
U.S. PATENT DOCUMENTS

D. 354,821	*	1/1995	Janesky	D25/138
3,654,765	*	4/1972	Healy et al.	52/169.5
5,809,731	*	9/1998	Reiss	52/169.5

The floor-wall interface drain panel, depicted in FIGS. 1-6, is of indefinite length.

* cited by examiner

1 Claim, 3 Drawing Sheets



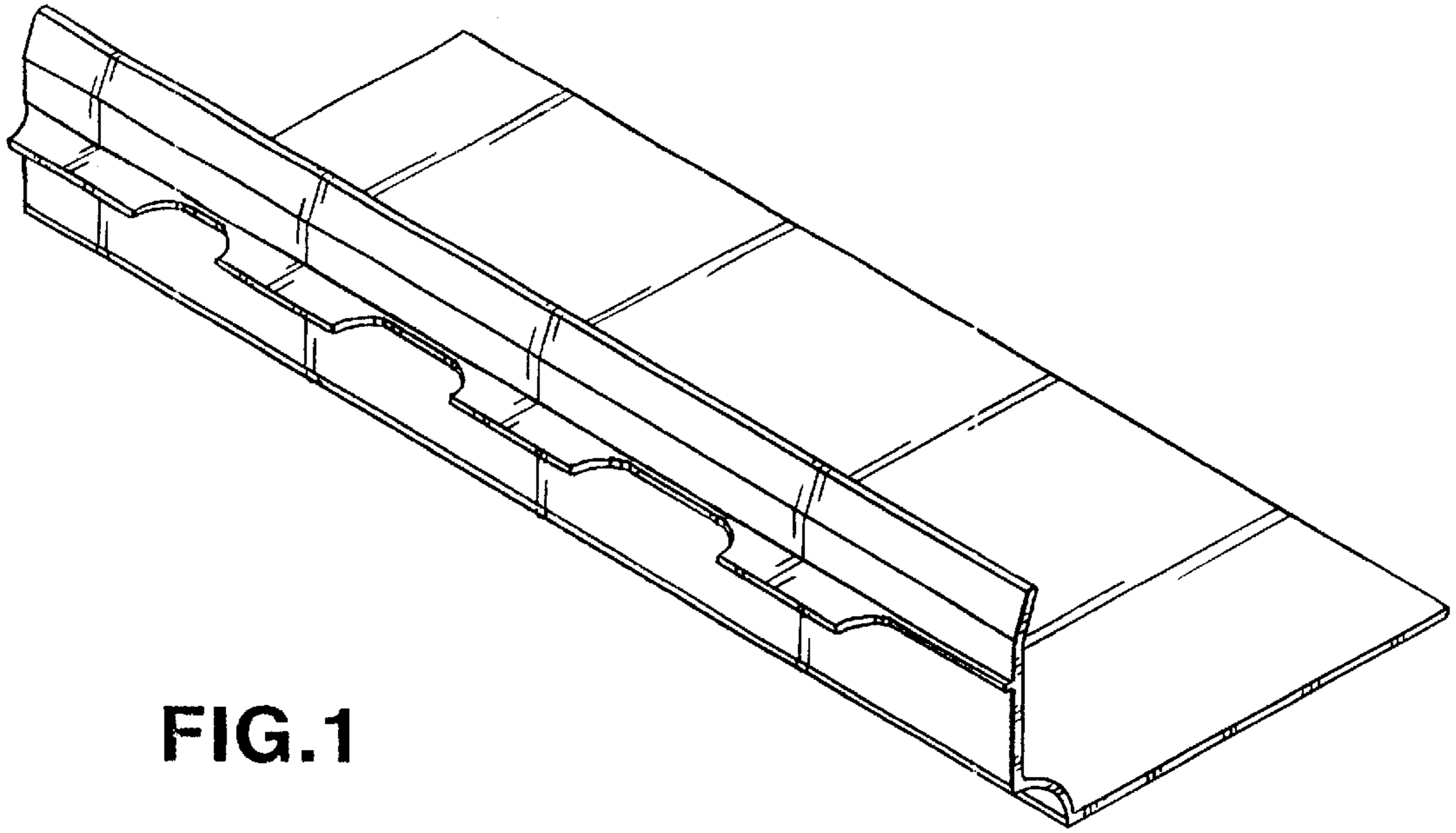


FIG. 1

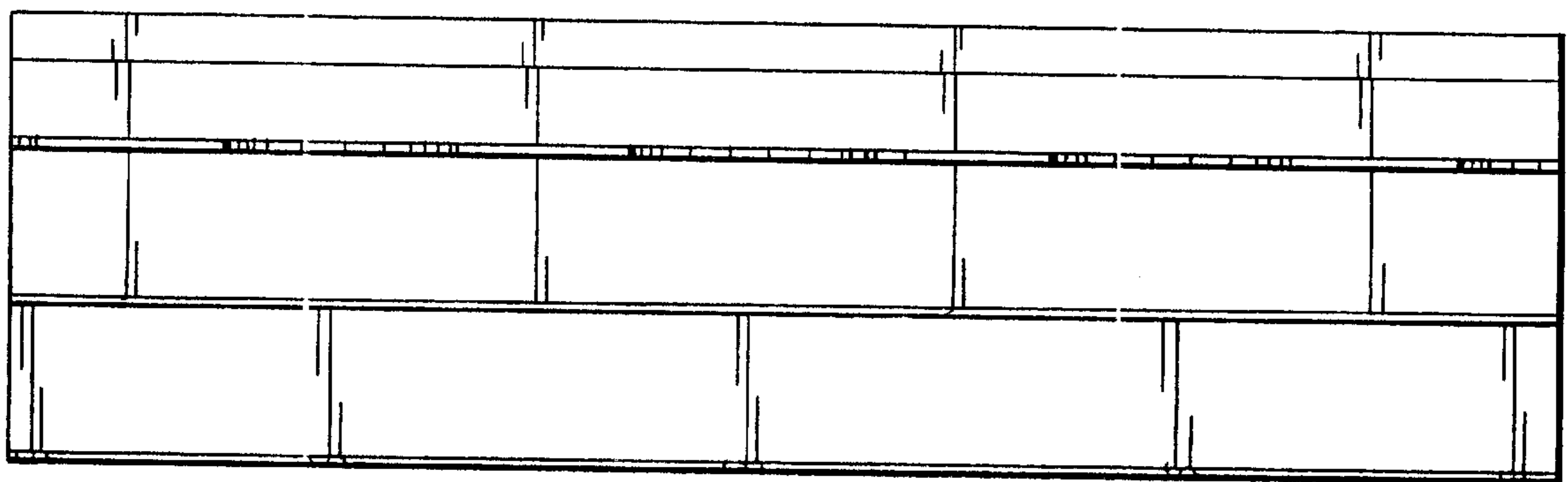


FIG. 2

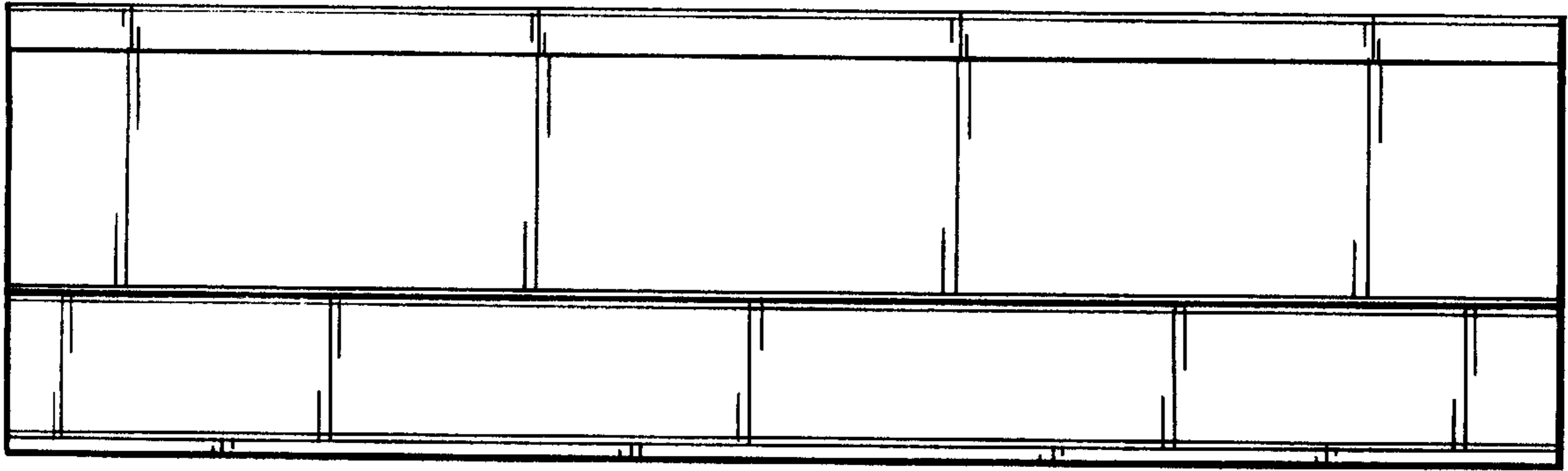


FIG. 3

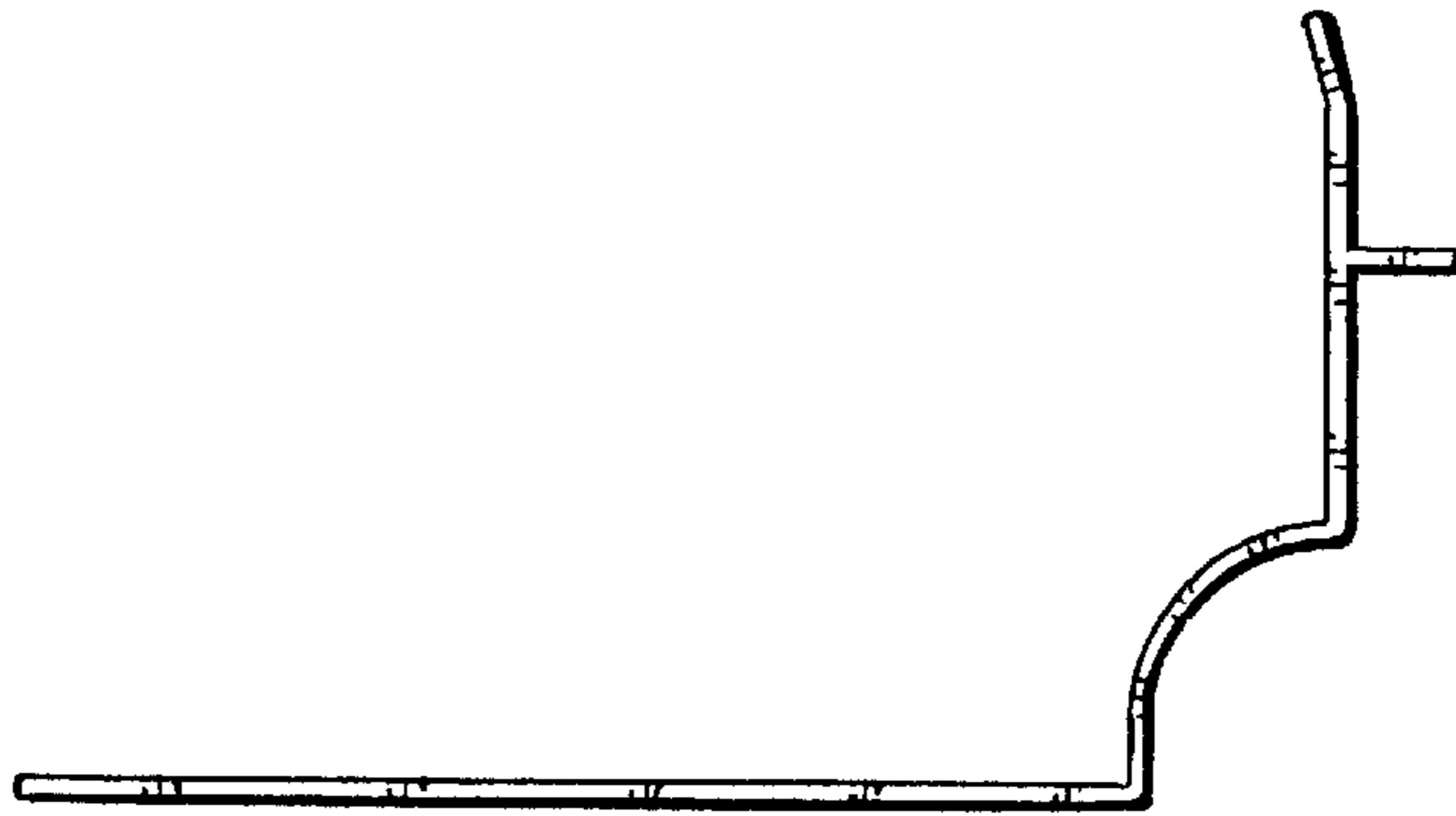


FIG. 4

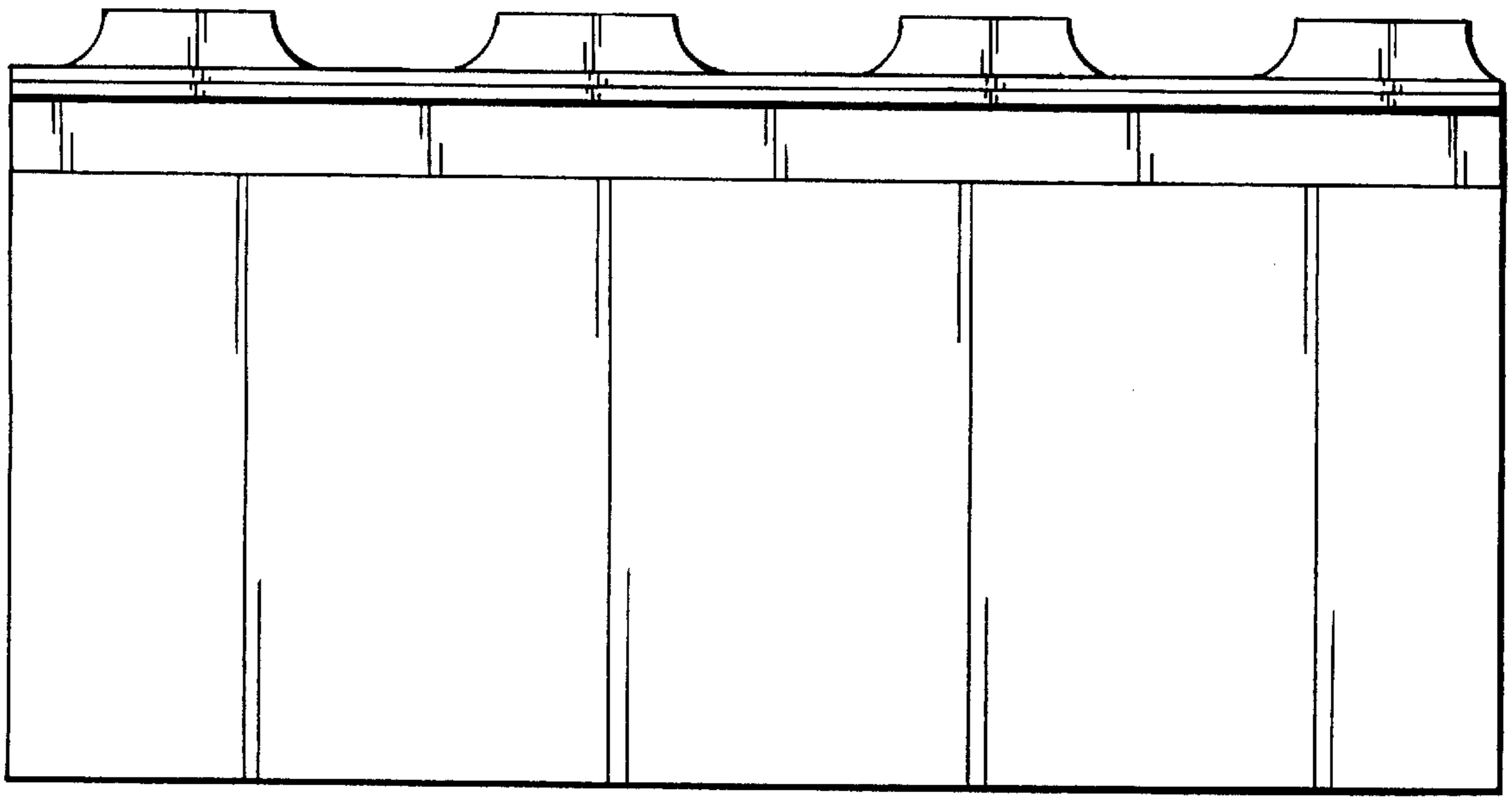


FIG. 5

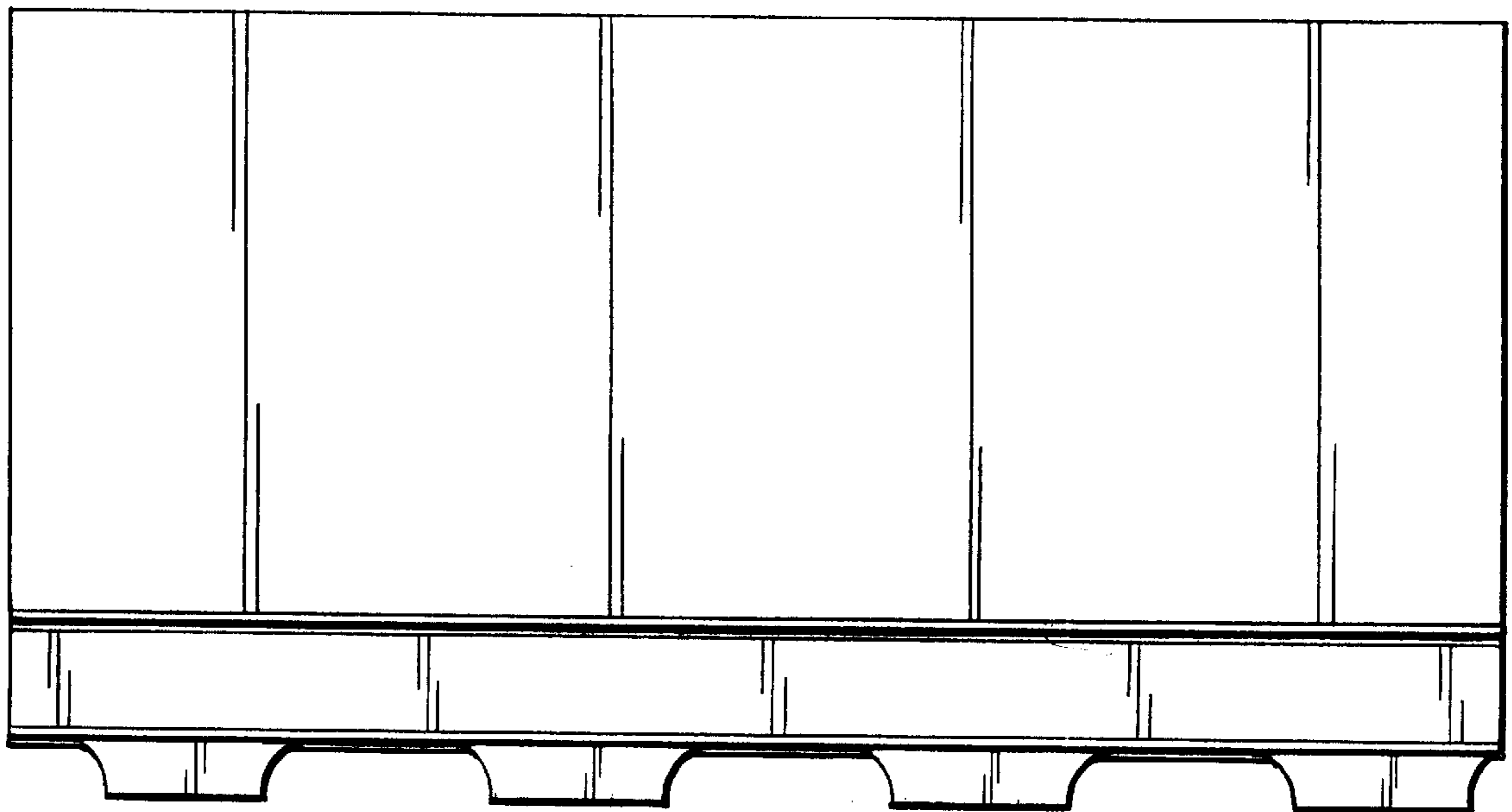


FIG. 6