



US00D443364S

(12) **United States Design Patent**  
**Stevens**

(10) **Patent No.:** **US D443,364 S**

(45) **Date of Patent:** **\*\* Jun. 5, 2001**

(54) **PIPET**

(75) **Inventor:** **Timothy A. Stevens**, Warwick, NY (US)

(73) **Assignee:** **Becton, Dickinson and Company**, Franklin Lakes, NJ (US)

(\*\*) **Term:** **14 Years**

(21) **Appl. No.:** **29/094,350**

(22) **Filed:** **Sep. 30, 1998**

(51) **LOC (7) Cl.** ..... **24-01**

(52) **U.S. Cl.** ..... **D24/222**

(58) **Field of Search** ..... D24/222, 216;  
422/99, 73, 100, 864.01

(56) **References Cited**

**U.S. PATENT DOCUMENTS**

D. 228,492 \* 10/1973 Cohen ..... D24/222

D. 297,054 \* 8/1988 Williams ..... D24/222

D. 357,324 \* 4/1995 Bartal ..... D24/222

D. 373,827 \* 9/1996 Polaniec ..... D24/222

D. 401,698 \* 11/1998 Daniels ..... D24/222

\* cited by examiner

*Primary Examiner*—Stella Reid

(74) *Attorney, Agent, or Firm*—Arthur D. Dawson; Nanette S. Thomas

(57) **CLAIM**

The ornamental design for a pipet, as shown and described.

**DESCRIPTION**

FIG. 1 is a front perspective view of the pipet;

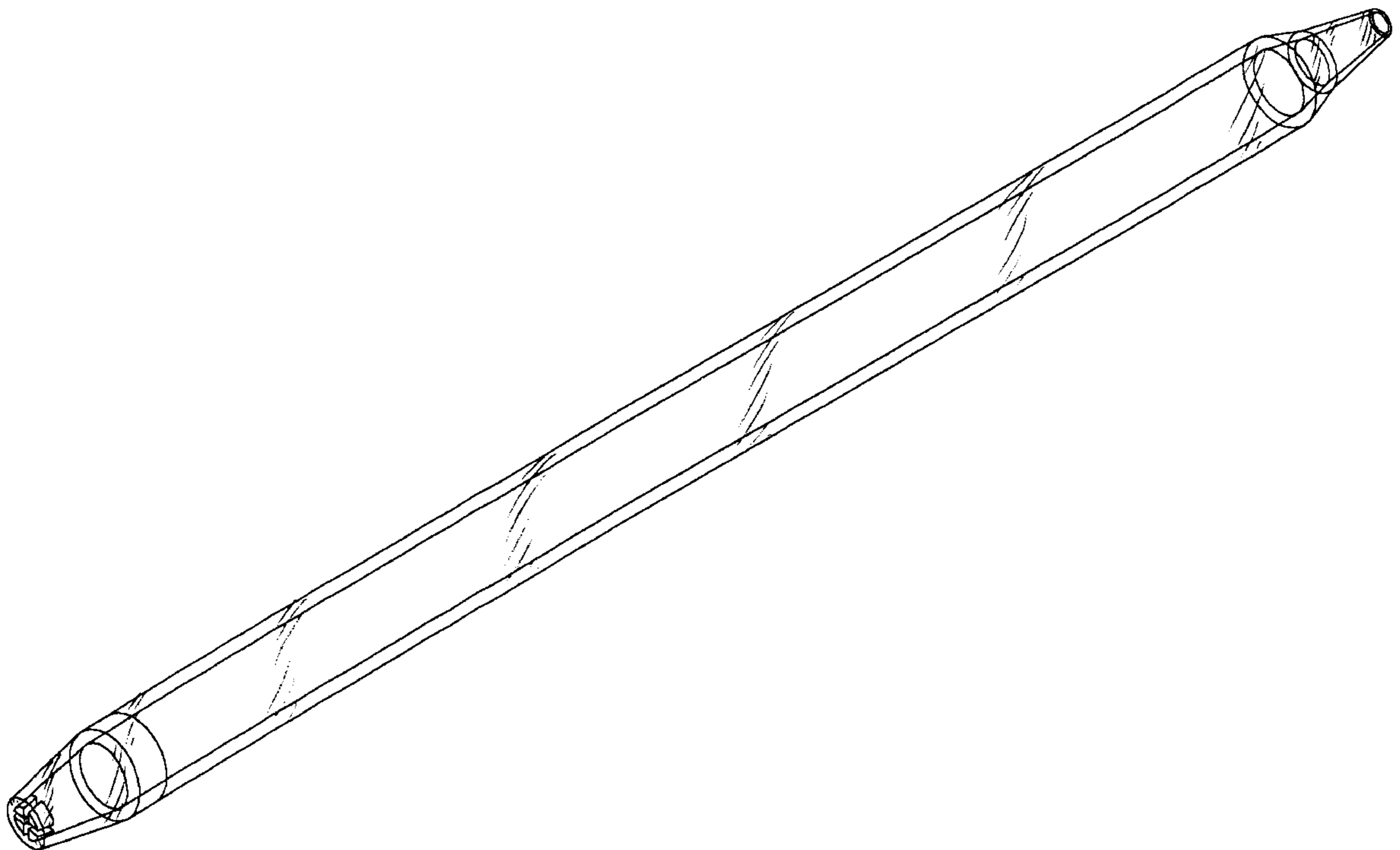
FIG. 2 is a rear perspective view thereof;

FIG. 3 is side view thereof;

FIG. 4 is a right side elevational view thereof; and,

FIG. 5 is a left side elevational view thereof.

**1 Claim, 3 Drawing Sheets**



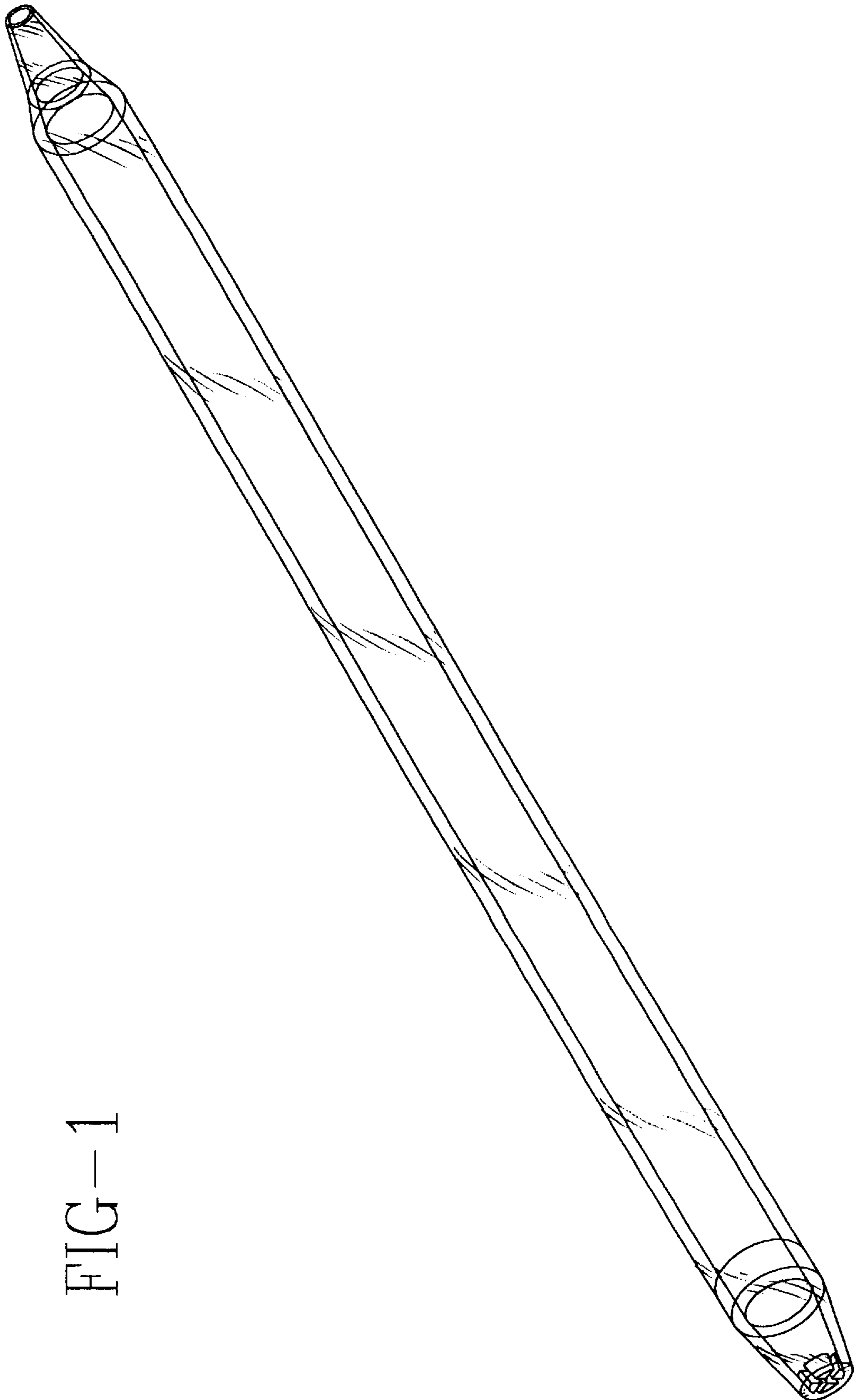


FIG--1

FIG-2

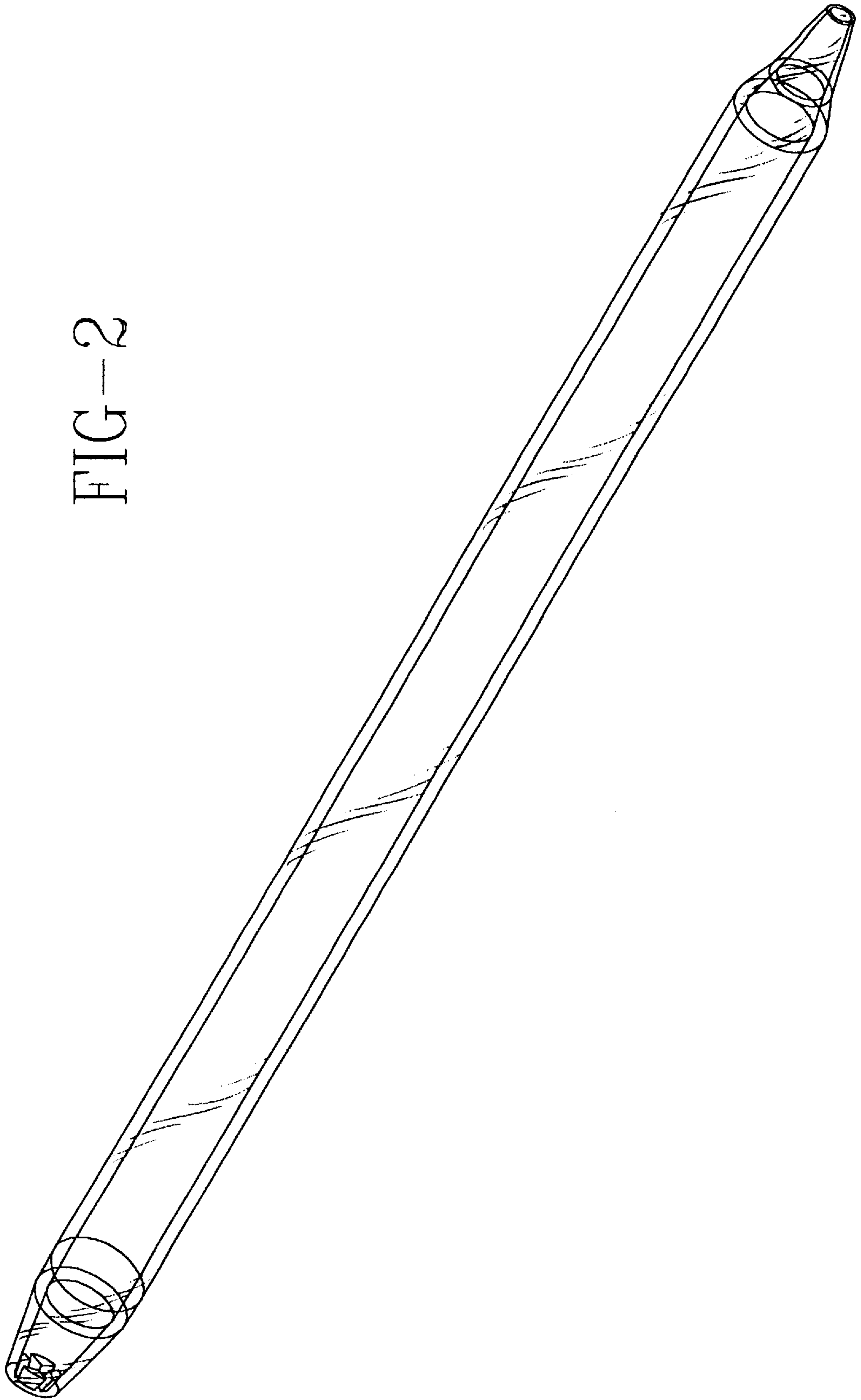


FIG--3

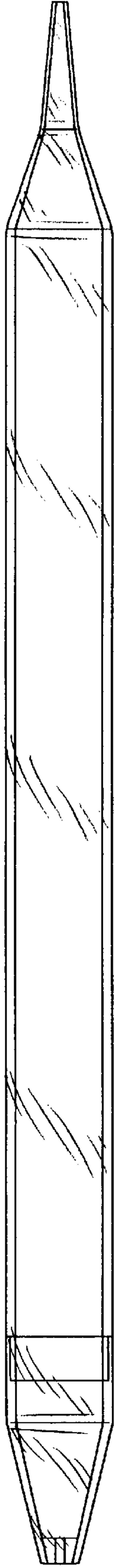


FIG--4

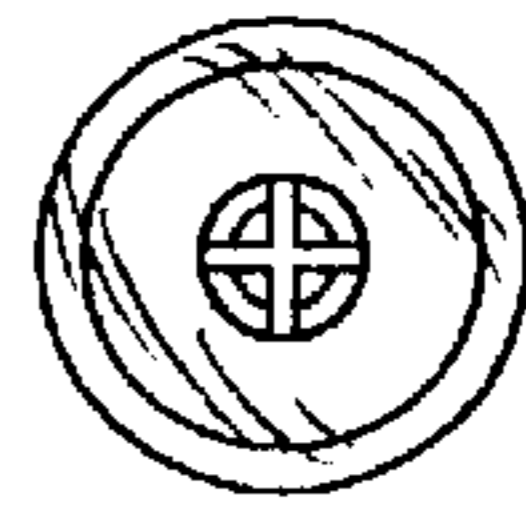


FIG--5

