



US00D443362S

(12) **United States Design Patent**
Storp

(10) **Patent No.:** **US D443,362 S**

(45) **Date of Patent:** **** Jun. 5, 2001**

(54) **BLOOD PRESSURE GAUGE**

(75) **Inventor:** **Albrecht Storp, Langenau (DE)**

(73) **Assignee:** **Rudolf Riester GmbH & Co. KG, Jungingen (DE)**

(**) **Term:** **14 Years**

(21) **Appl. No.:** **29/119,528**

(22) **Filed:** **Mar. 2, 2000**

(51) **LOC (7) Cl. 24-01**

(52) **U.S. Cl. D24/165**

(58) **Field of Search D24/165; 600/485, 600/490, 494, 492, 499, 500, 502, 503**

(56) **References Cited**

U.S. PATENT DOCUMENTS

- D. 373,419 * 9/1996 Muramatsu et al. D24/165
- D. 398,999 * 9/1998 Maeda et al. D24/165
- D. 403,070 * 12/1998 Maeda et al. D24/165
- D. 406,346 * 3/1999 Hirakawa D24/165

- D. 407,492 * 3/1999 Lubs et al. D24/165
- D. 426,637 * 6/2000 Ochi et al. D24/165
- 5,687,732 * 11/1997 Inagaki et al. 600/485
- 5,795,300 * 8/1998 Bryars 600/500

* cited by examiner

Primary Examiner—Stella Reid

(74) *Attorney, Agent, or Firm*—Friedrich Kueffner

(57) **CLAIM**

The ornamental design for a blood pressure gauge, as shown and described.

DESCRIPTION

FIG. 1 is a perspective top view of a blood pressure gauge showing my new design;

FIG. 2 is a perspective side view thereof;

FIG. 3 is a another perspective side view thereof;

FIG. 4 is a perspective bottom view thereof; and,

FIG. 5 is a perspective front view thereof.

The broken lines on the surface of the gauge represent top-stitching.

1 Claim, 5 Drawing Sheets

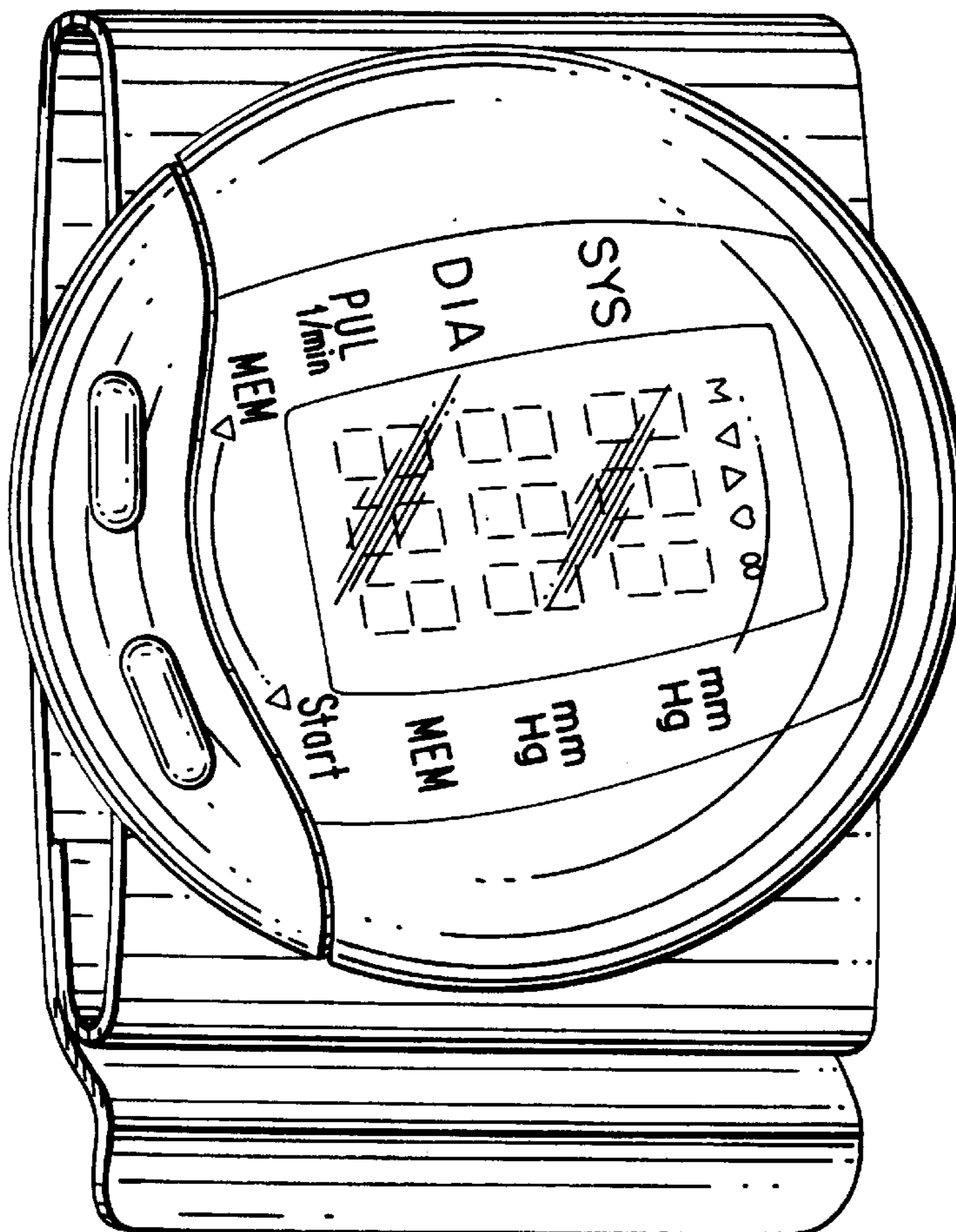


FIG. 1

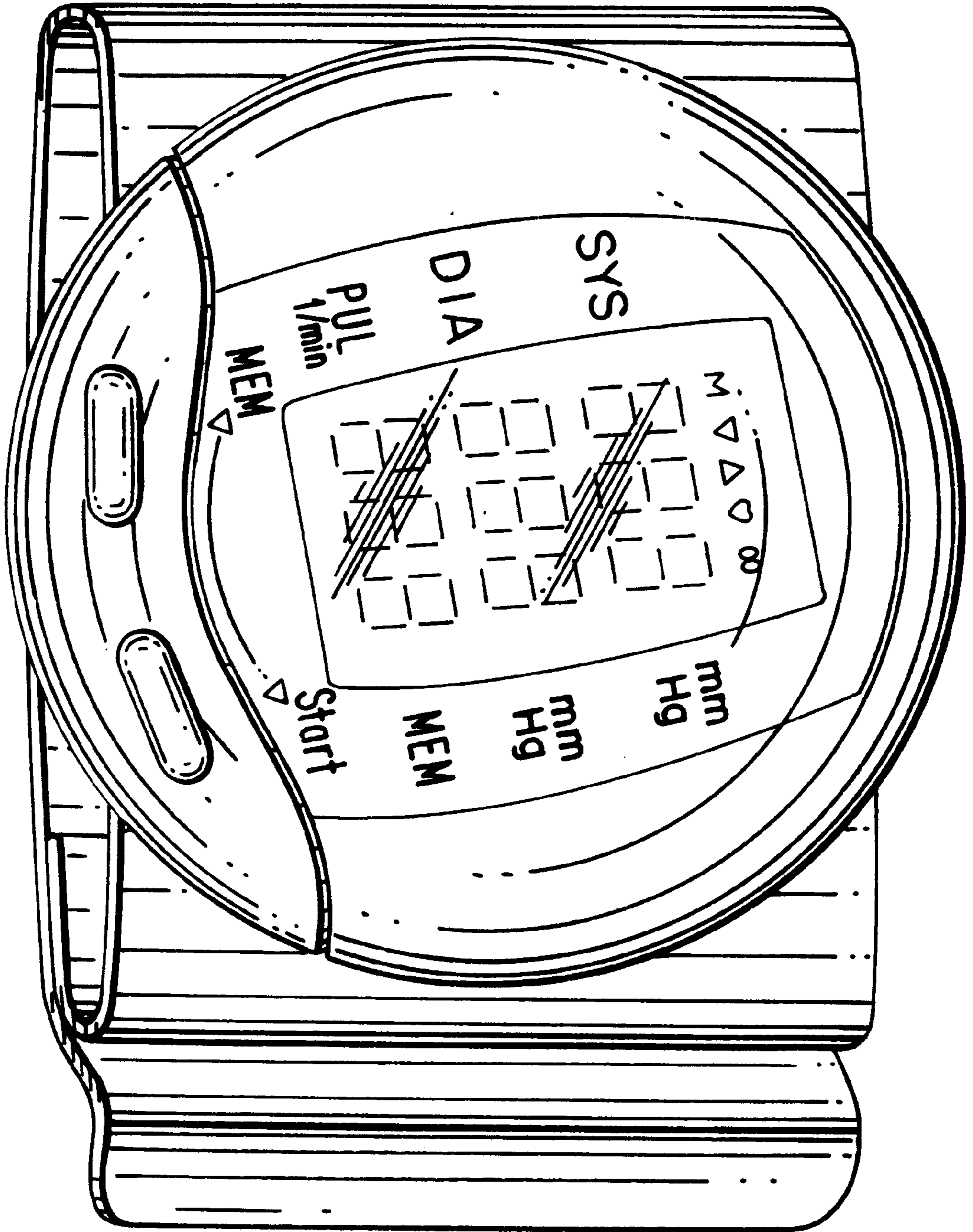


FIG. 2



FIG. 3

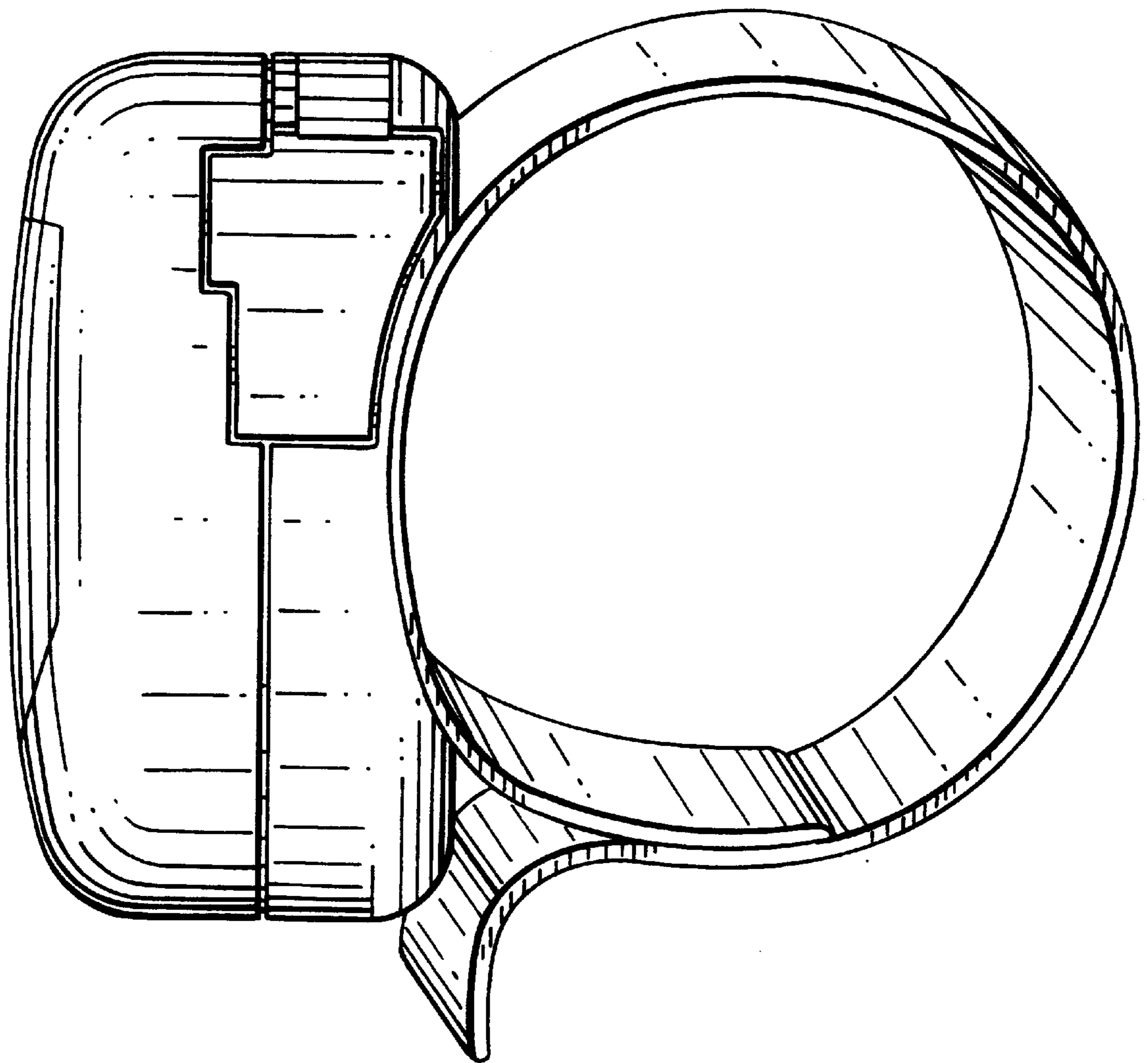


FIG. 4

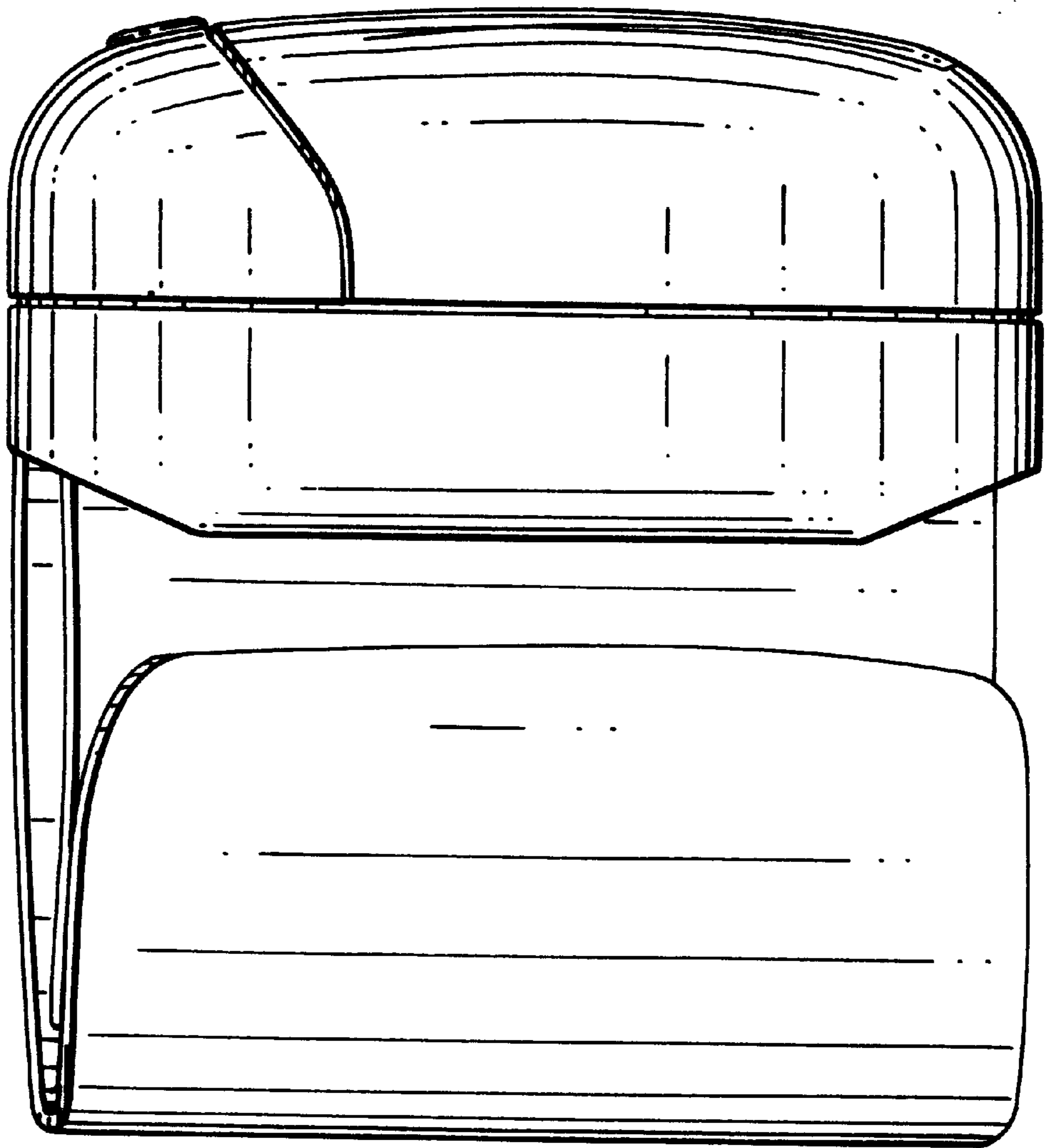


FIG. 5

