



US00D443361S

(12) **United States Design Patent**
Hurson

(10) **Patent No.:** **US D443,361 S**

(45) **Date of Patent:** **** Jun. 5, 2001**

(54) **MULTI-LOBED ABUTMENT**

5,810,590 9/1998 Fried et al. .
6,116,904 * 9/2000 Kirsch et al. 433/173

(75) **Inventor:** **Steven M. Hurson**, Yorba Linda, CA
(US)

OTHER PUBLICATIONS

Picture of Steri Oso Dentil Smlant.

(73) **Assignee:** **Nobel Biocare USA, Inc.**, Yorba Linda,
CA (US)

* cited by examiner

(**) **Term:** **14 Years**

Primary Examiner—Antoine Duval Davis

(21) **Appl. No.:** **29/123,467**

(74) *Attorney, Agent, or Firm*—Knobbe, Martens, Olson &
Bear, LLP

(22) **Filed:** **May 18, 2000**

(57) **CLAIM**

(51) **LOC (7) Cl.** **24-01**

The ornamental design for a multi-lobed abutment, as shown
and described.

(52) **U.S. Cl.** **D24/156**

(58) **Field of Search** D24/156; 433/172–176

DESCRIPTION

(56) **References Cited**

FIG. 1 is a perspective view of the multi-lobed abutment of
the present invention.

U.S. PATENT DOCUMENTS

FIG. 2 is a top plan view thereof;

D. 355,972	*	2/1995	Broberg et al.	D24/156
4,713,003		12/1987	Symington et al. .	
4,826,434		5/1989	Krueger .	
4,960,381		10/1990	Niznick .	
5,076,788		12/1991	Niznick .	
5,195,892		3/1993	Gersberg .	
5,328,371		7/1994	Hund et al. .	
5,439,381		8/1995	Cohen .	
5,580,246		12/1996	Fried et al. .	
5,584,629		12/1996	Bailey et al. .	
5,725,375		3/1998	Rogers .	

FIG. 3 is a left side elevational view thereof; the right side
elevation view being mirror image thereof;

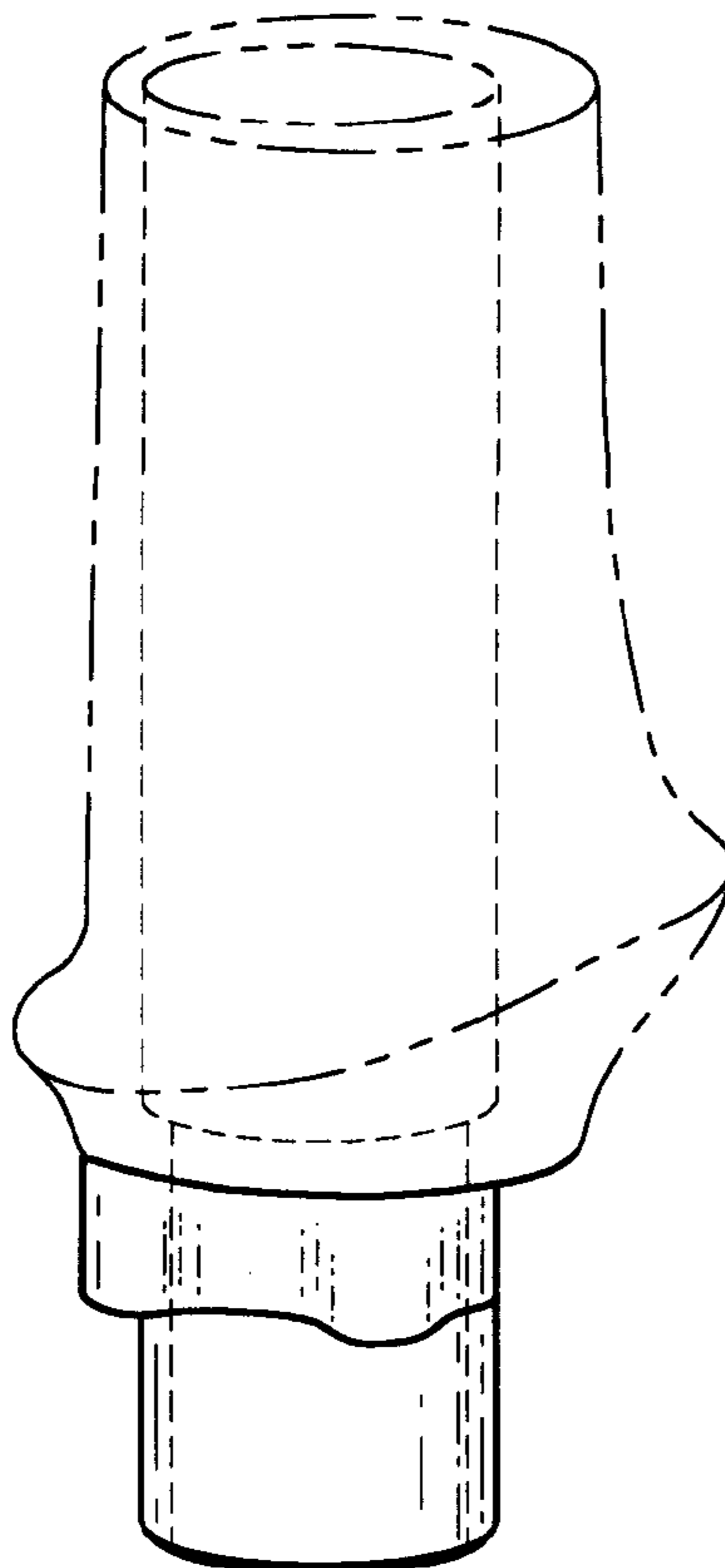
FIG. 4 is a front elevational view thereof;

FIG. 5 is a bottom plan view thereof; and,

FIG. 6 is a rear elevational view thereof.

Phantom lining where utilized, is for illustrative purposes
only and is not intended to limit the claimed design to the
features shown in phantom.

1 Claim, 1 Drawing Sheet



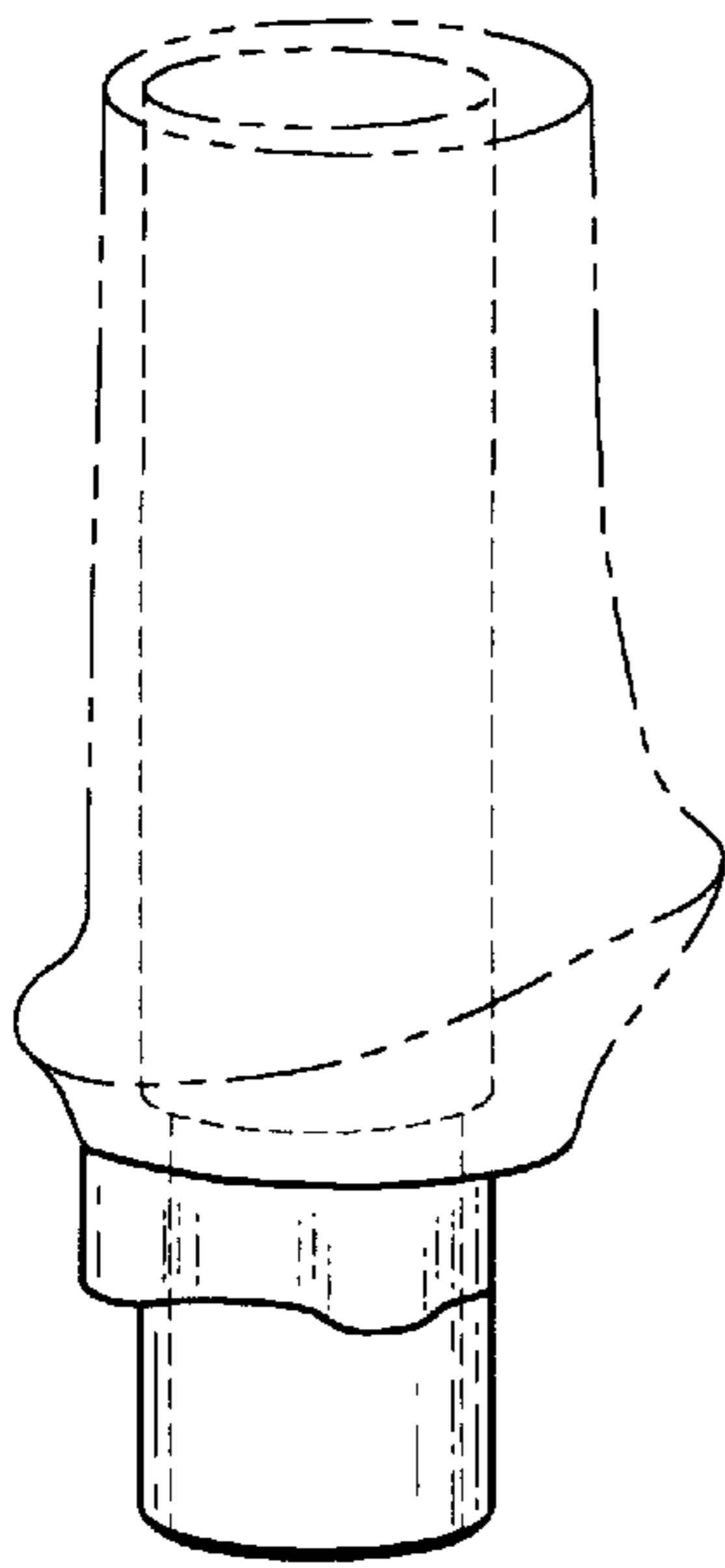


FIG. 1

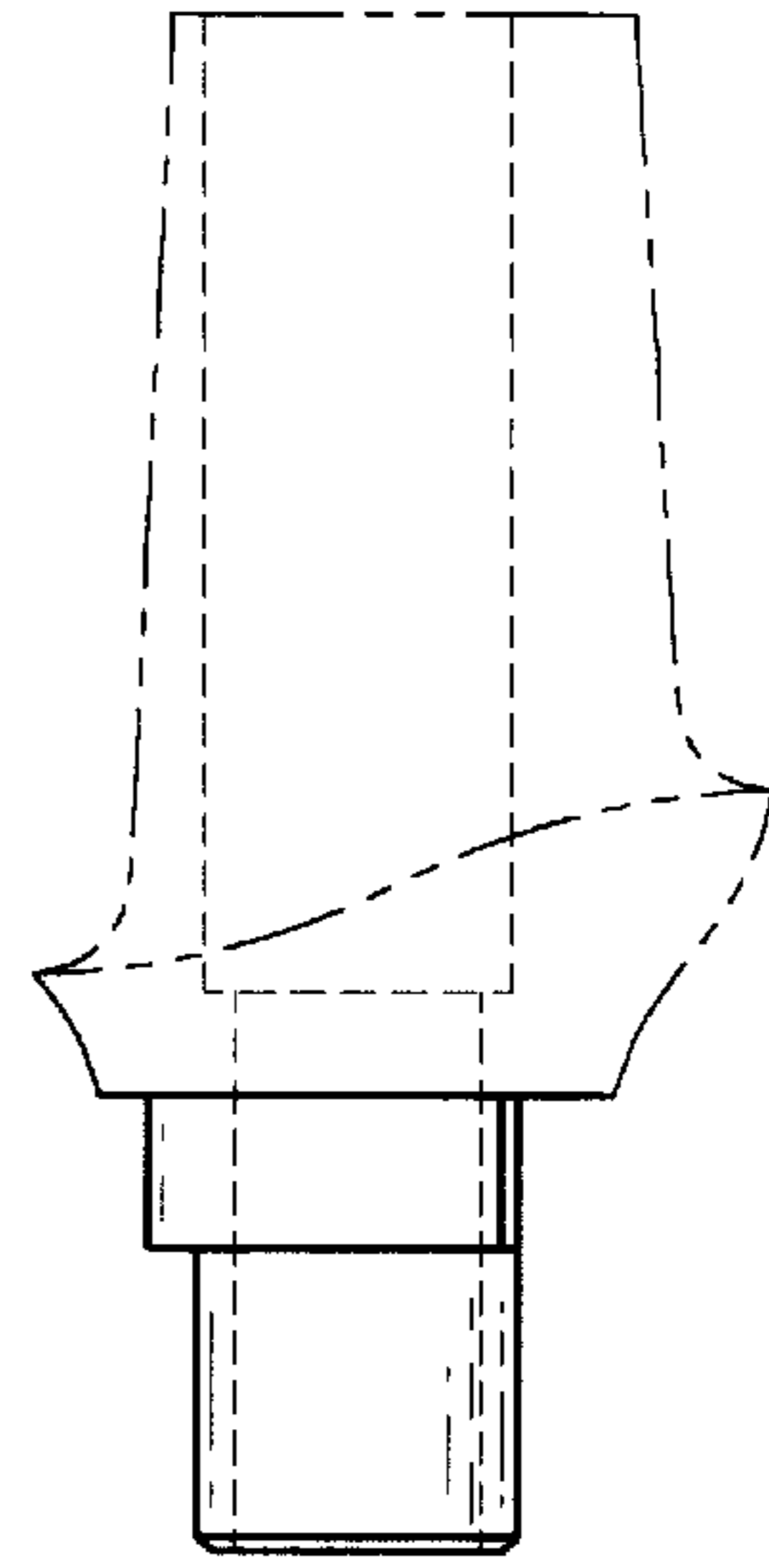


FIG. 3

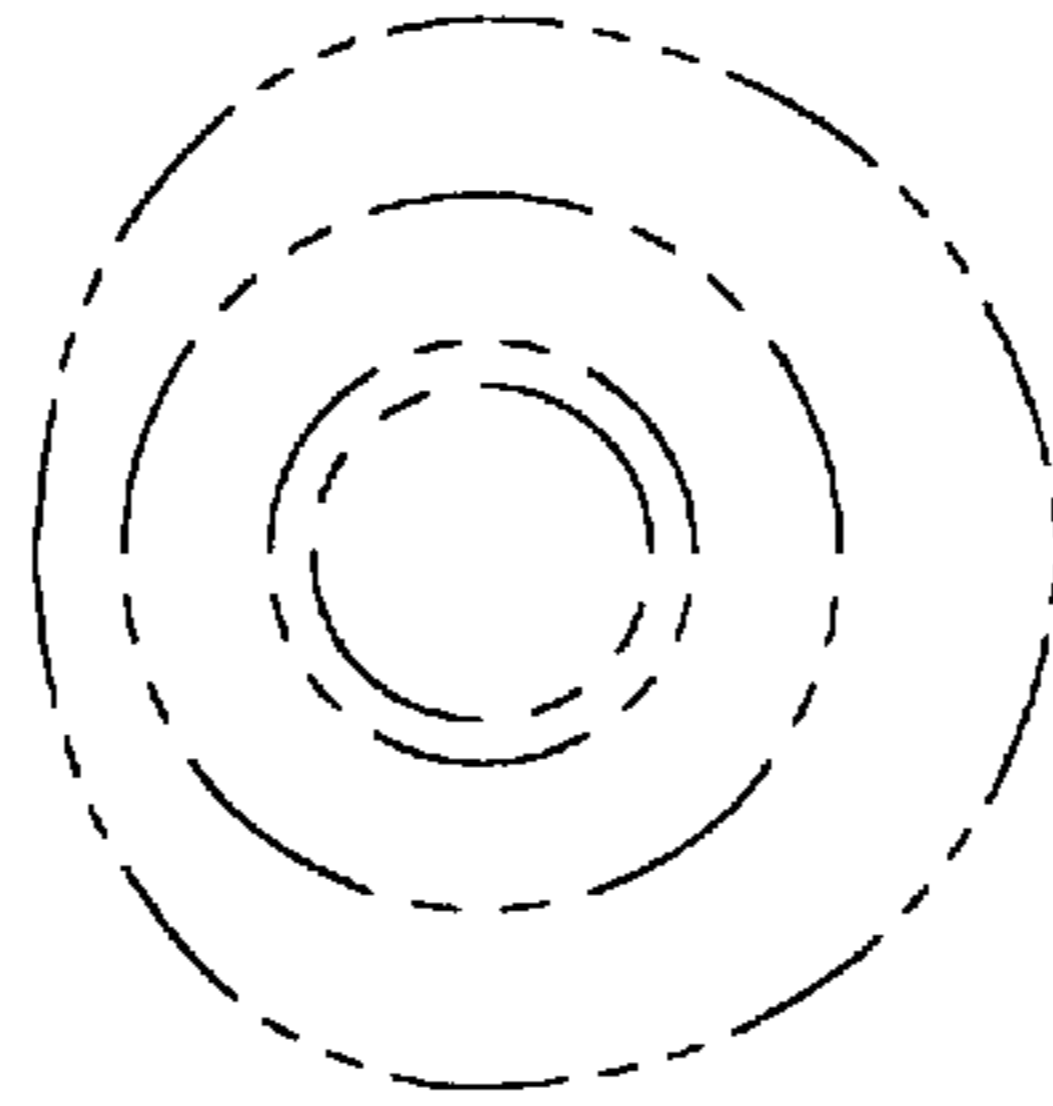


FIG. 2

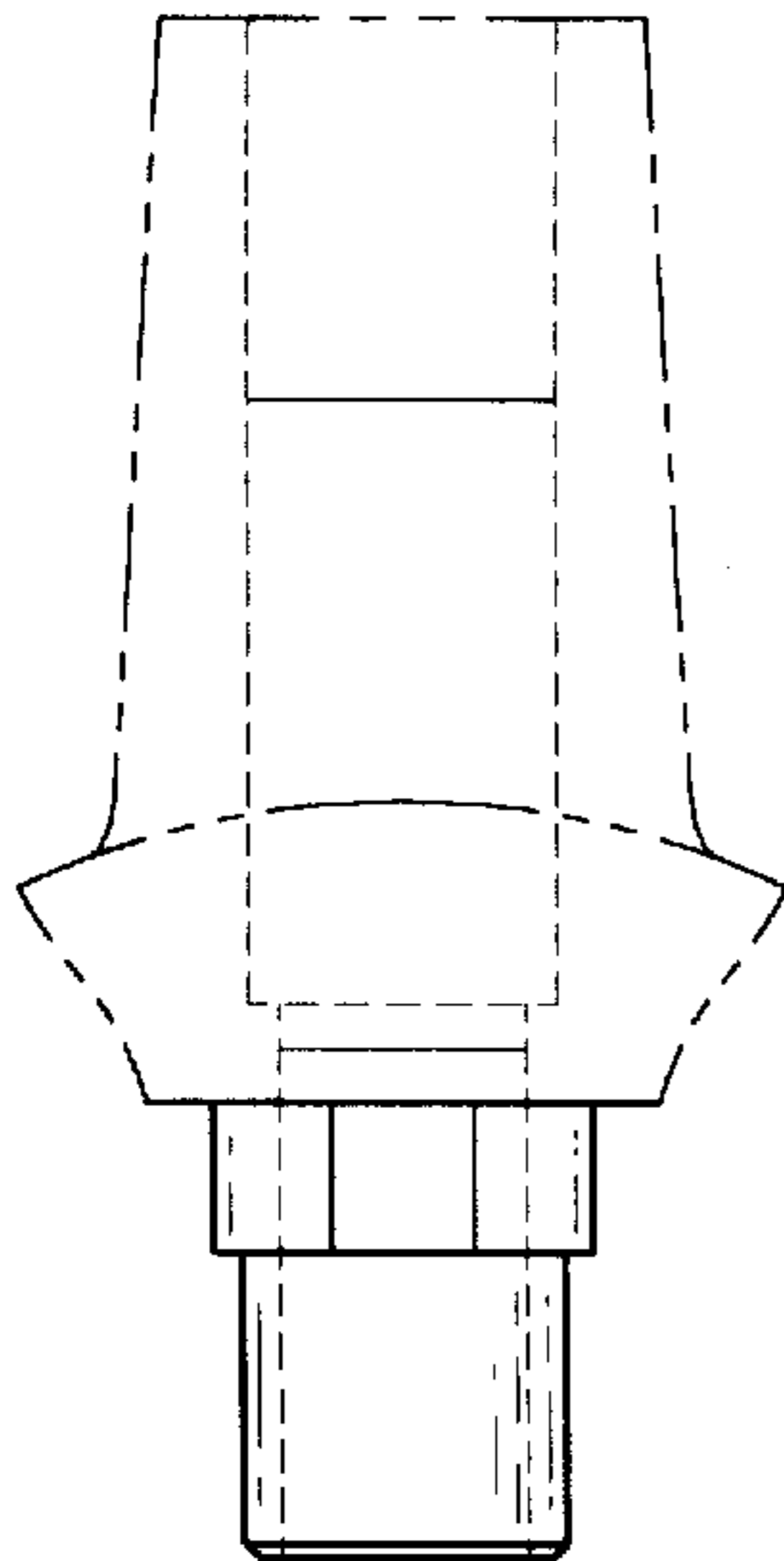


FIG. 4

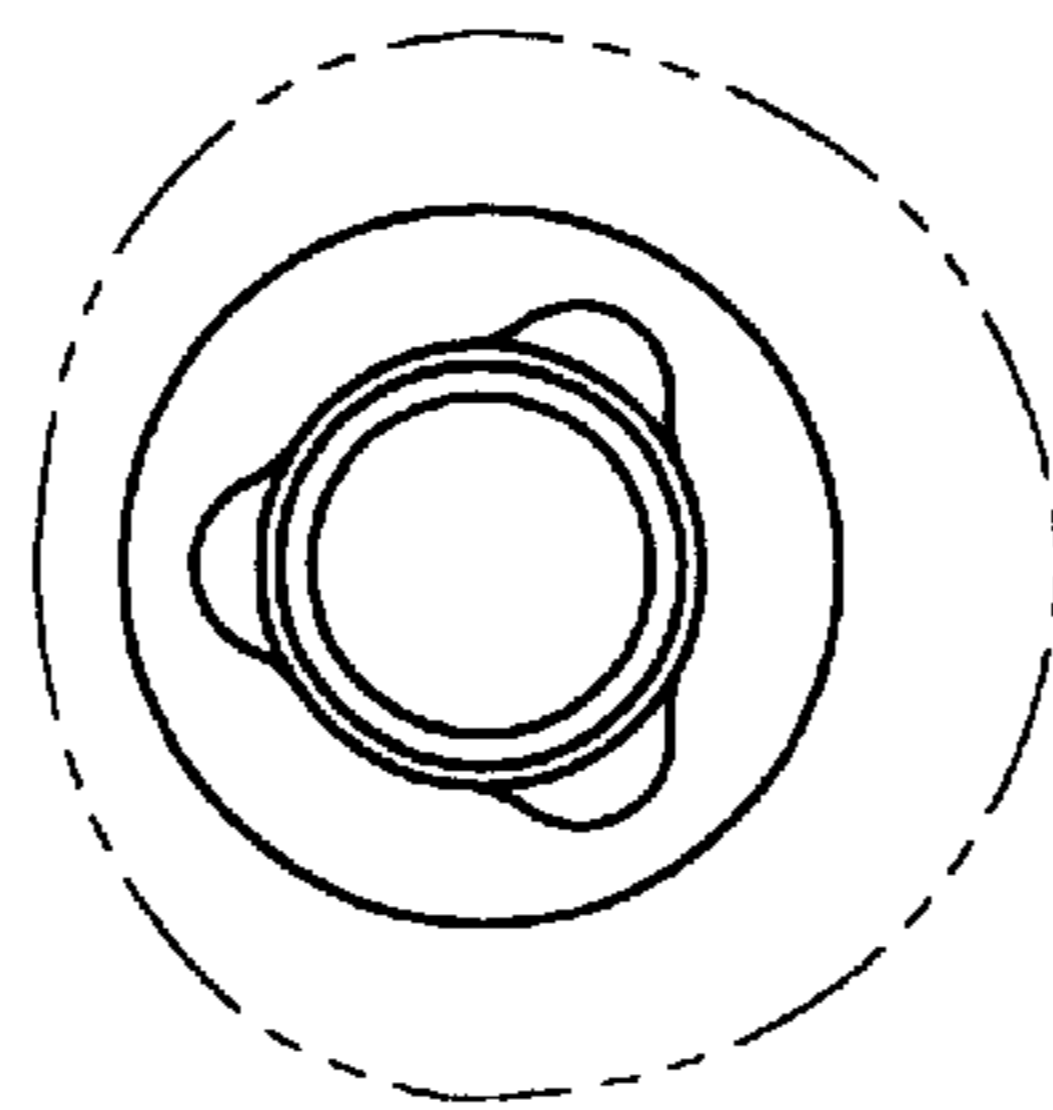


FIG. 5

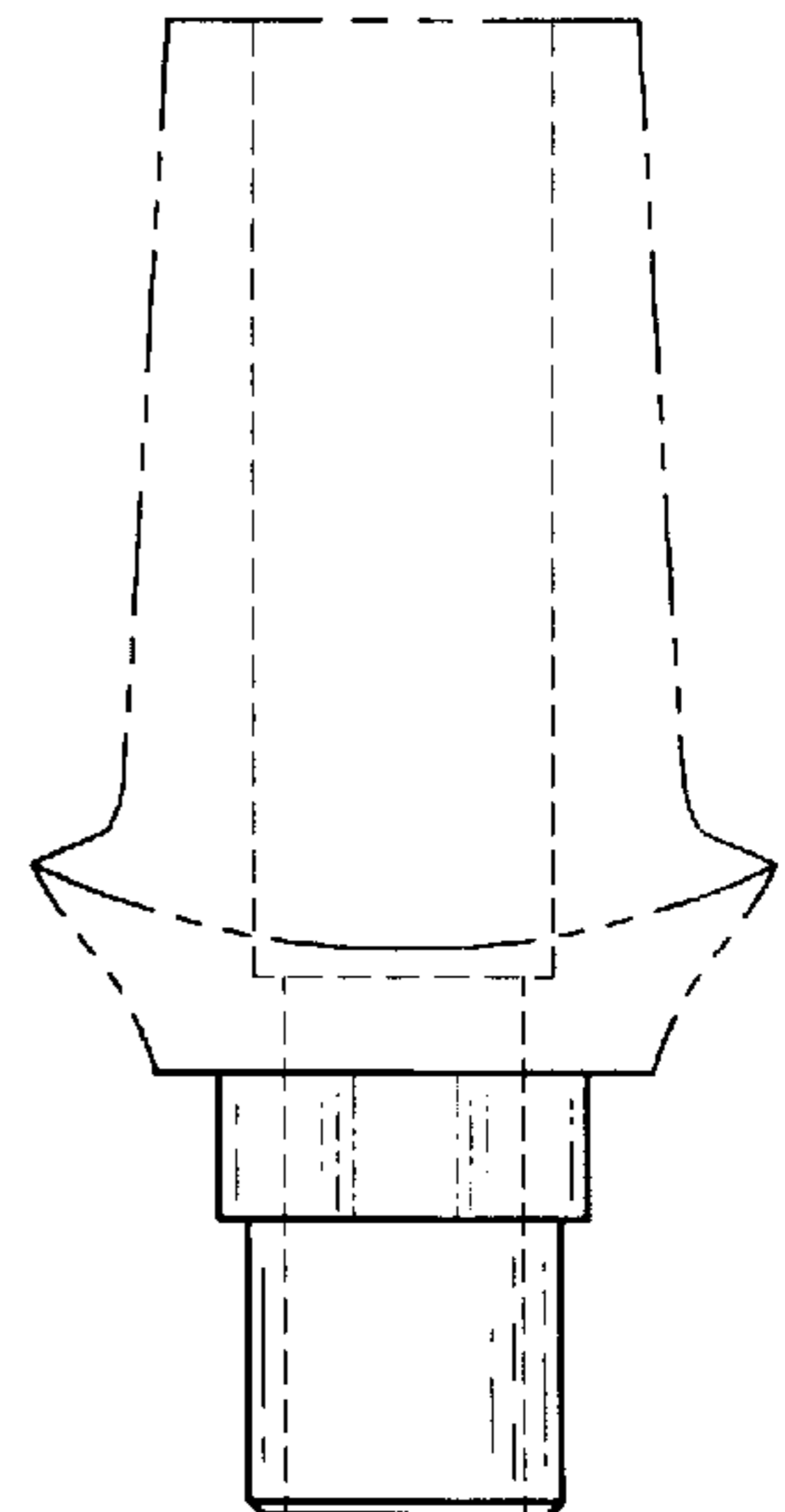


FIG. 6