



US00D443360S

(12) **United States Design Patent**
Haberland

(10) **Patent No.:** **US D443,360 S**

(45) **Date of Patent:** **** Jun. 5, 2001**

- (54) **DISTAL END OF OBTURATOR FOR A TROCAR**
- (75) Inventor: **Gary W. Haberland**, Orlando, FL (US)
- (73) Assignee: **Dexterity Surgical Inc.**, Roswell, GA (US)
- (**) Term: **14 Years**

4,809,679	3/1989	Shimonaka et al.	128/4
4,876,126	10/1989	Takemura et al.	428/35.7
4,902,280	2/1990	Lander	604/165
4,906,237	3/1990	Johansson et al.	604/265
4,931,042	6/1990	Holmes et al.	604/164
4,943,280	7/1990	Lander	604/169
4,977,901	12/1990	Ofstead	128/772
4,990,357	2/1991	Karakelle et al.	427/2
5,009,391	4/1991	Steigerwald	251/167

(List continued on next page.)

- (21) Appl. No.: **29/120,614**
- (22) Filed: **Mar. 22, 2000**
- (51) **LOC (7) Cl.** **24-02**
- (52) **U.S. Cl.** **D24/146**
- (58) **Field of Search** D24/146, 147, D24/112, 130; 604/164.1, 164.2, 165, 185, 164.6; 606/184, 185

Primary Examiner—Ian Simmons
(74) *Attorney, Agent, or Firm*—Allen, Dyer, Doppelt, Milbrath & Gilchrist, P.A.

(57) **CLAIM**

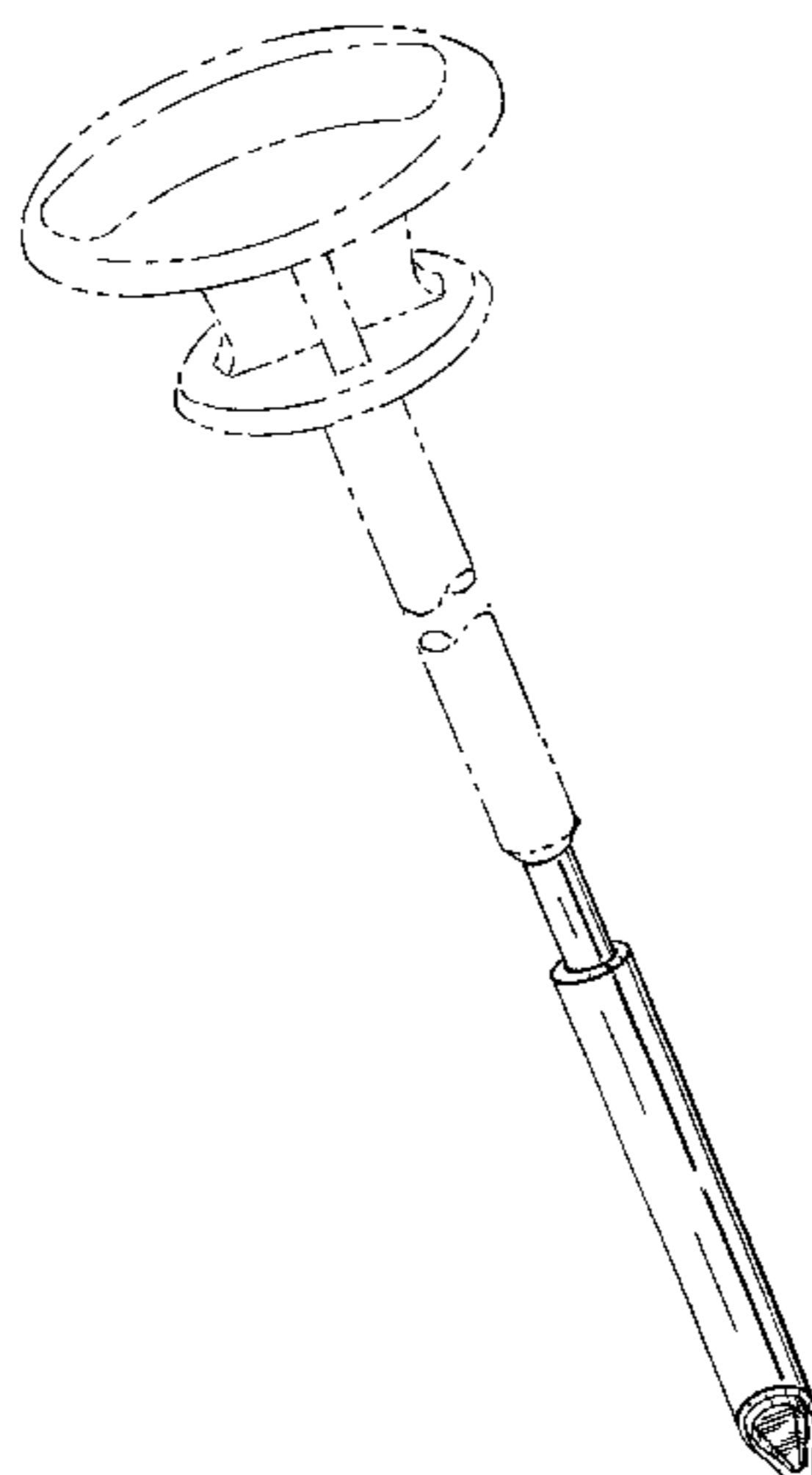
The ornamental design for a distal end of obturator for a trocar, as shown and described.

DESCRIPTION

- (56) **References Cited**
- U.S. PATENT DOCUMENTS**
- D. 354,565 1/1995 Medema D24/146
- D. 364,924 12/1995 Medema D24/146
- D. 426,635 * 6/2000 Haberland et al. D24/146
- 3,861,416 1/1975 Wichterle 137/525.3
- 3,994,287 11/1976 Turpe et al. 128/6
- 4,143,853 3/1979 Abramson 251/149
- 4,177,814 12/1979 Knepshield et al. 128/348
- 4,222,126 9/1980 Boretos et al. 3/1.5
- 4,233,982 11/1980 Bauer et al. 128/347
- 4,364,127 12/1982 Pierce et al. 3/1.5
- 4,375,864 3/1983 Savage 222/81
- 4,424,833 1/1984 Spector et al. 137/849
- 4,475,548 10/1984 Muto 128/207.14
- 4,492,253 1/1985 Raftis 137/849
- 4,535,773 8/1985 Yoon 604/51
- 4,535,819 8/1985 Atkinson et al. 137/846
- 4,566,493 1/1986 Edwards et al. 137/846
- 4,601,710 7/1986 Moll 604/165
- 4,654,030 3/1987 Moll et al. 604/165
- 4,673,393 6/1987 Suzuki et al. 604/167
- 4,705,709 11/1987 Vailancourt 428/36
- 4,765,588 8/1988 Atkinson 251/149.1
- 4,798,584 1/1989 Hancock et al. 604/93
- 4,798,593 1/1989 Iwatschenko 604/164

FIG. 1 is a perspective view of the distal end of obturator for a trocar showing the design of my invention;
 FIG. 2 is a bottom plan view of FIG. 1;
 FIG. 3 is a top plan view of FIG. 1;
 FIG. 4 is a front elevational view of FIG. 1 in a retracted position;
 FIG. 5 is a right side elevational view of FIG. 1 in a retracted position;
 FIG. 6 is a left side elevational view of FIG. 1 in a retracted position;
 FIG. 7 is a rear elevational view of FIG. 1 in a retracted position;
 FIG. 8 is a front elevational view of FIG. 1 in an extended position;
 FIG. 9 is a right side elevational view of FIG. 1 in an extended position, the left side being a mirror image thereof; and,
 FIG. 10 is a rear elevational view of FIG. 1 in an extended position.
 The broken lines are for illustrative purposes only and do not form part of the claimed design.

1 Claim, 4 Drawing Sheets



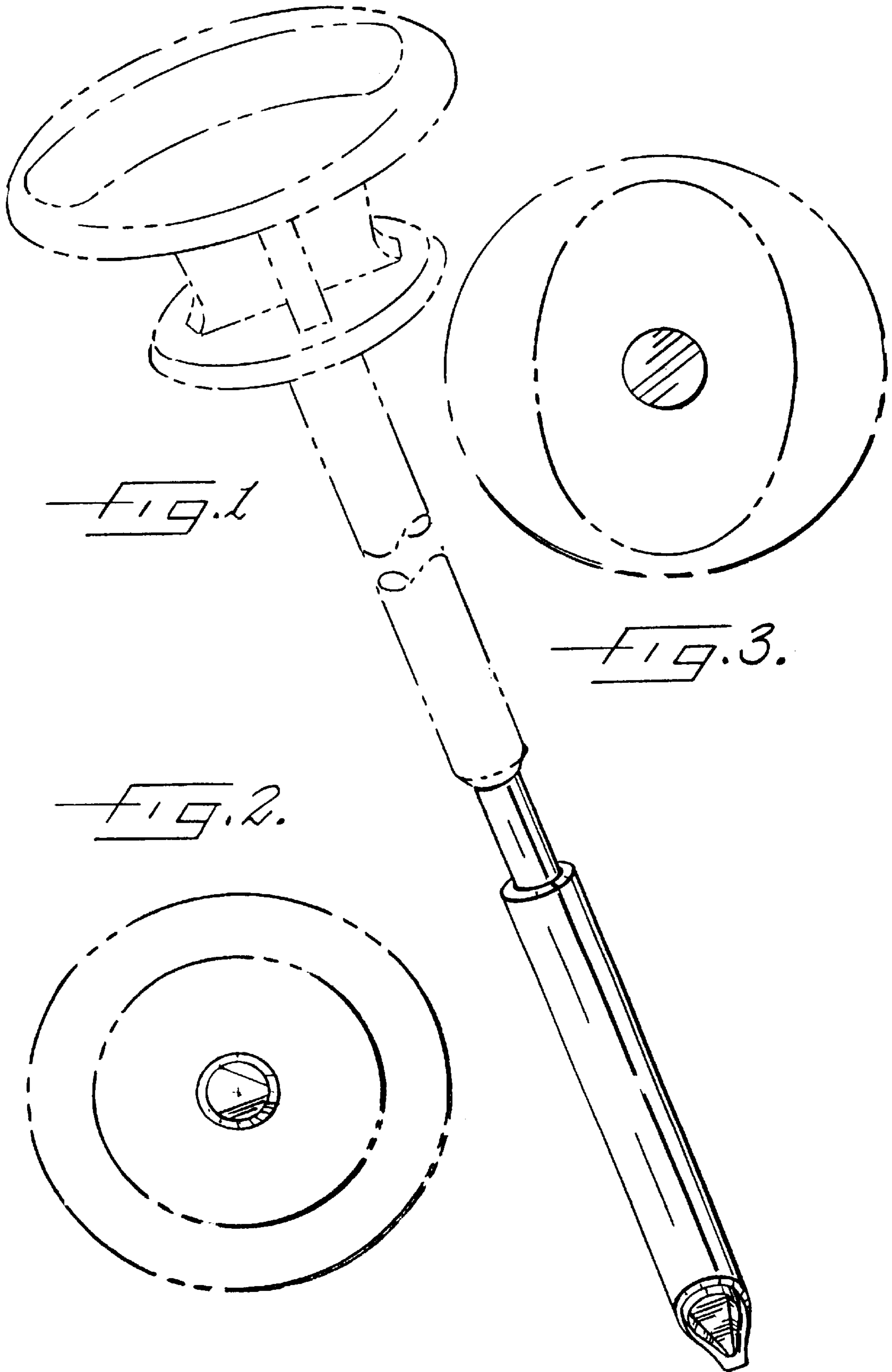
US D443,360 S

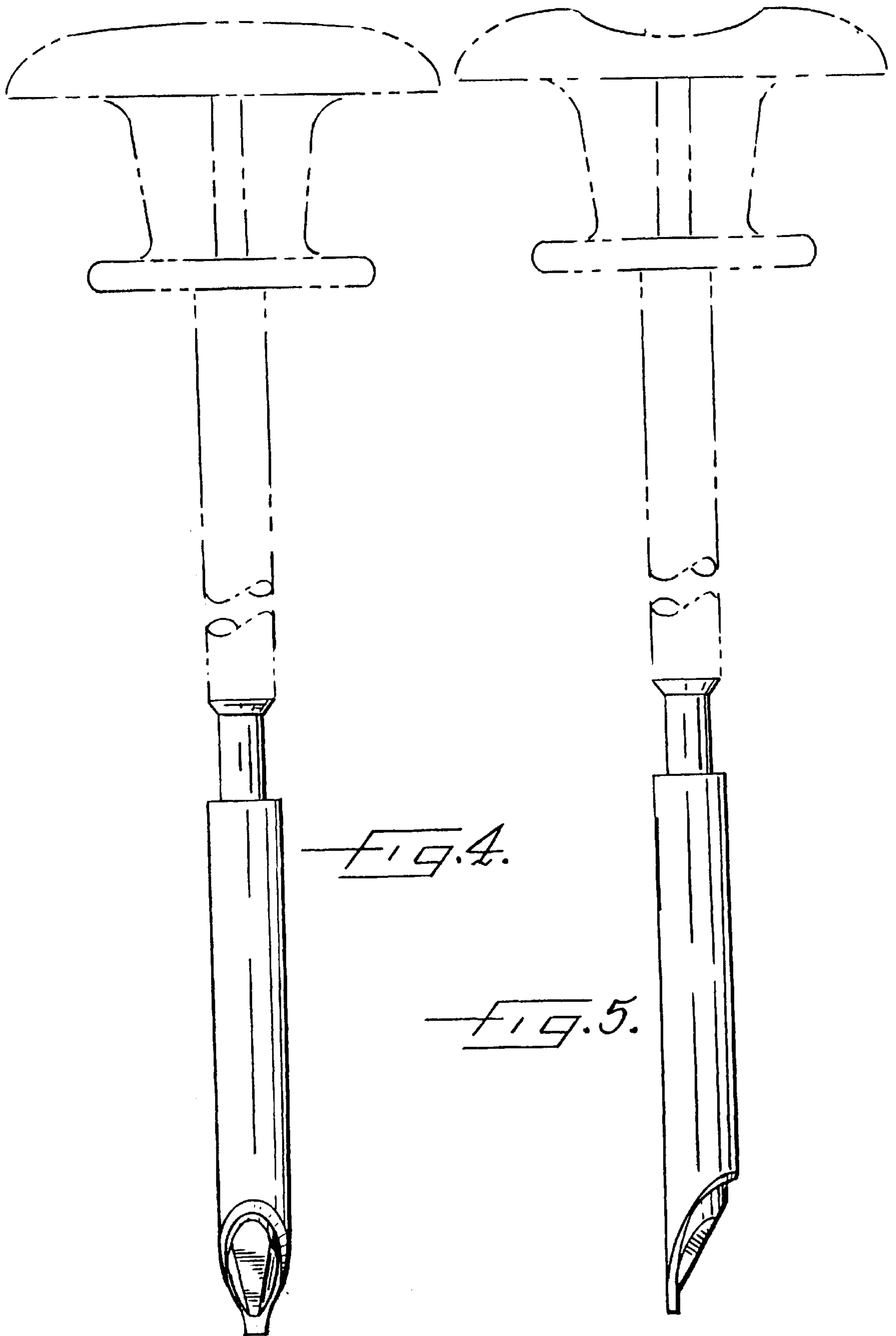
Page 2

U.S. PATENT DOCUMENTS

			5,492,304		2/1996 Smith et al.	251/149
			5,496,280		3/1996 Vandenbroek et al.	604/167
5,009,643	*	4/1991 Reich et al.	5,507,755		4/1996 Gresl et al.	606/139
5,010,925		4/1991 Atkinson et al.	5,527,321		6/1996 Hinchliffe	606/144
5,030,206		7/1991 Lander	5,538,509		7/1996 Dunlap et al.	604/264
5,041,095		8/1991 Littrell	5,542,931		8/1996 Gravener et al.	604/167
5,053,016		10/1991 Lander	5,545,150		8/1996 Danks et al.	604/265
5,066,288		11/1991 Deniega et al.	5,569,206		10/1996 Gorman, Jr. et al.	604/167
5,104,382		4/1992 Brinkerhoff et al.	5,575,800		11/1996 Gordon	606/144
5,104,383		4/1992 Shichman	5,578,044		11/1996 Gordon et al.	606/144
5,112,321		5/1992 Hildebrandt	5,584,850		12/1996 Hart et al.	606/185
5,122,122		6/1992 Allgood	5,603,702		2/1997 Smith et al.	604/256
5,127,909		7/1992 Shichman	5,618,290		4/1997 Toy et al.	606/139
5,129,885		7/1992 Green et al.	5,618,297		4/1997 Hart et al.	606/185
5,141,498		8/1992 Christian	5,637,108		6/1997 Vidal et al.	606/1
5,147,316		9/1992 Castillenti	5,657,963		8/1997 Hinchliffe et al.	251/149.1
5,152,754		10/1992 Plyley et al.	5,674,237		10/1997 Ott	606/185
5,209,737		5/1993 Ritchart et al.	5,676,683		10/1997 Yoon	606/185
5,217,441		6/1993 Shichman	5,688,286		11/1997 Yoon	606/185
5,226,890		7/1993 Ianniruberto et al.	5,690,663		11/1997 Stephens	606/185
5,226,891		7/1993 Bushatz et al.	5,709,664		1/1998 Vandenbroek et al.	604/167
5,248,298		9/1993 Bedi et al.	5,709,671		1/1998 Stephens et al.	604/264
5,267,965		12/1993 Deniega	5,713,910		2/1998 Gordon et al.	606/144
5,273,545		12/1993 Hunt et al.	5,720,759		2/1998 Green et al.	606/167
5,292,310		3/1994 Yoon	5,722,958		3/1998 Gravener et al.	604/169
5,300,036		4/1994 Mueller et al.	5,730,755		3/1998 Yoon	606/185
5,308,336		5/1994 Hart et al.	5,741,279		4/1998 Gordon et al.	606/144
5,309,896		5/1994 Moll et al.	5,772,672		6/1998 Toy et al.	606/139
5,334,166		8/1994 Palestrant	5,776,112		7/1998 Stephens et al.	604/264
5,338,305		8/1994 Plyley et al.	5,782,812		7/1998 Hart et al.	604/167
5,344,420		9/1994 Hilal et al.	5,800,451	*	9/1998 Buess et al.	606/185
5,360,417		11/1994 Gravener et al.	5,803,919		9/1998 Hart et al.	604/167
5,364,408		11/1994 Gordon	5,807,338		9/1998 Smith et al.	604/164
5,376,076	*	12/1994 Kaali	5,810,866		9/1998 Yoon	606/185
5,385,552		1/1995 Haber et al.	5,824,009		10/1998 Fukuda et al.	606/144
5,385,553		1/1995 Hart et al.	5,843,039	*	12/1998 Klemm	604/164
5,389,081		2/1995 Castro	5,871,488		2/1999 Tovey et al.	606/139
5,391,154		2/1995 Young	5,895,377		4/1999 Smith et al.	604/256
5,407,433		4/1995 Loomas	5,935,107		8/1999 Taylor et al.	604/164
5,411,483		5/1995 Loomas et al.	6,063,099	*	5/2000 Danks et al.	606/185
5,431,666		7/1995 Sauer et al.	6,099,544	*	8/2000 Wolf et al.	606/185
5,443,452		8/1995 Hart et al.	6,106,539	*	8/2000 Fortier	606/185
5,445,617		8/1995 Yoon	6,168,607	*	1/2001 Wattiez et al.	606/185
5,456,284		10/1995 Ryan et al.				
5,476,475		12/1995 Gadberry				

* cited by examiner





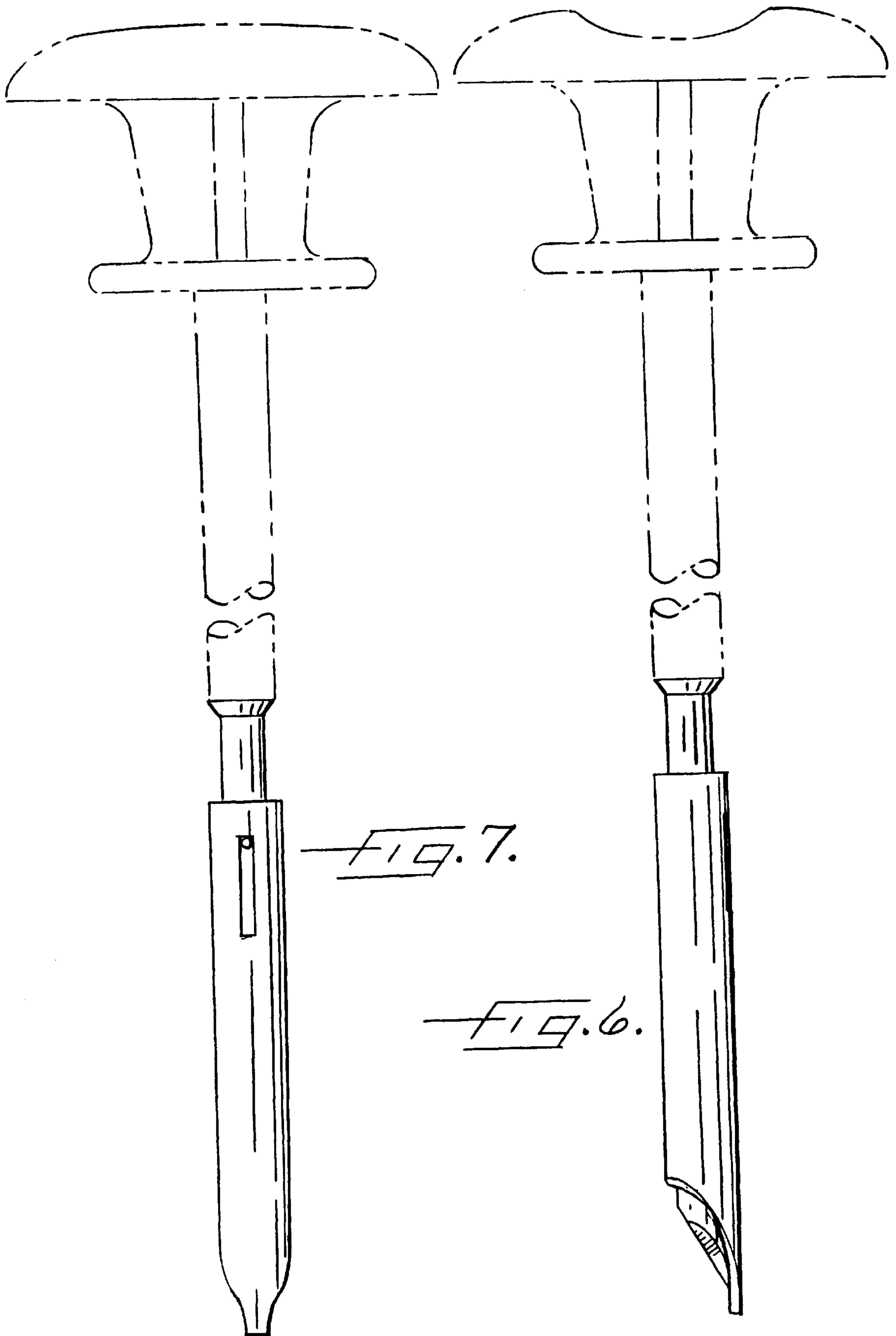


FIG. 7.

FIG. 6.

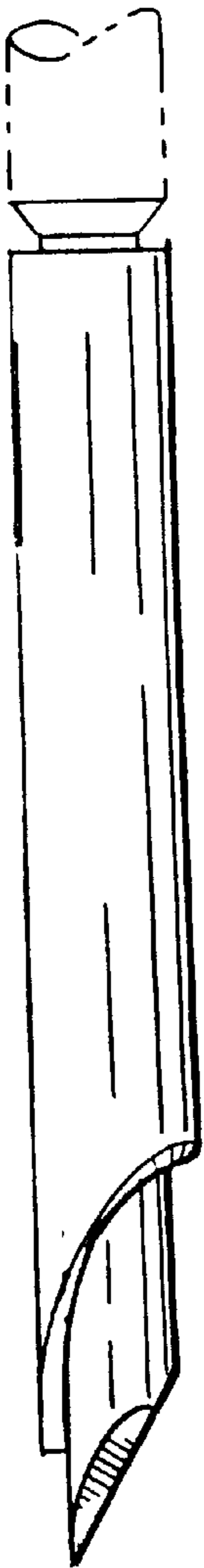


FIG. 9.

FIG. 8.



FIG. 10.