



US00D443359S

(12) **United States Design Patent**
Nathanson et al.

(10) **Patent No.:** **US D443,359 S**

(45) **Date of Patent:** **** Jun. 5, 2001**

(54) **MINIMALLY INVASIVE MITRAL VALVE
HEART SURGERY RETRACTOR**

5,894,843 * 4/1999 Benetti et al. 600/235
6,036,641 * 3/2000 Taylor et al. 600/231
6,050,266 * 4/2000 Benetti et al. 600/235
6,139,492 * 10/2000 Vierra et al. 600/204

(76) Inventors: **Michael Nathanson**, 5315 Silver Point
Way, San Jose, CA (US) 95138; **Tibor
B. Koros; Gabriel J. Koros**, both of
610 Flinn Ave., Moorpark, CA (US)
93021

* cited by examiner

Primary Examiner—Ian Simmons

(74) *Attorney, Agent, or Firm*—David O'Reilly

(**) Term: **14 Years**

(57) **CLAIM**

(21) Appl. No.: **29/126,087**

The ornamental design for a minimally invasive mitral valve
heart surgery retractor, substantially as shown and described.

(22) Filed: **Jul. 6, 2000**

DESCRIPTION

(51) **LOC (7) Cl.** **24-02**

(52) **U.S. Cl.** **D24/135**

(58) **Field of Search** D24/135; 600/214,
600/219, 201, 230, 232, 231, 204, 235,
229

FIG. 1 is a perspective view of a minimally invasive mitral
valve heart surgery retractor according to the invention.

FIG. 2 is a front elevational view thereof.

FIG. 3 is a left side elevational view thereof.

FIG. 4 is a rear elevational view thereof.

FIG. 5 is a right side elevational view thereof.

FIG. 6 is a top plan view thereof; and,

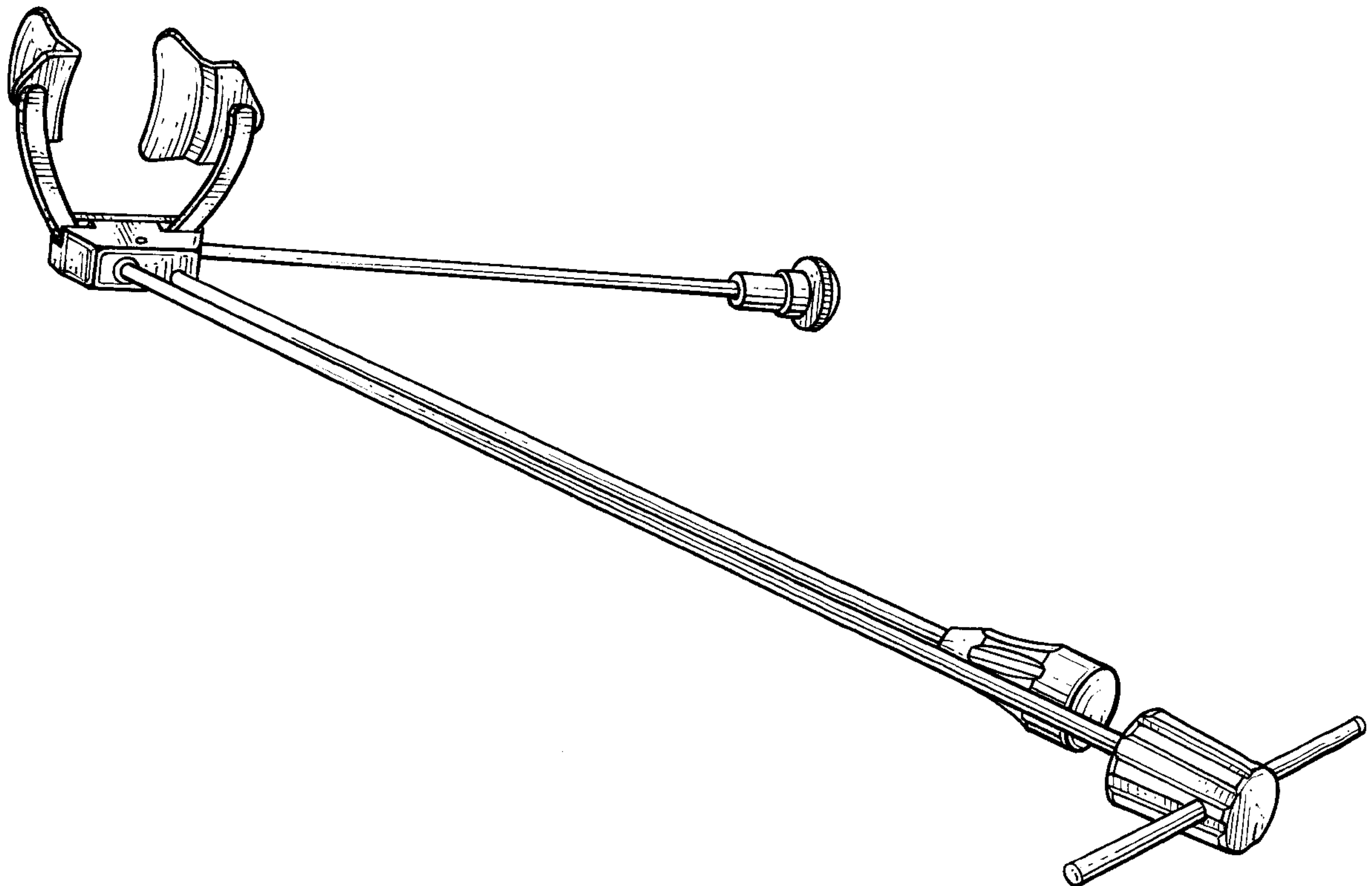
FIG. 7 is a bottom plan view thereof.

(56) **References Cited**

U.S. PATENT DOCUMENTS

D. 421,803 * 3/2000 Koros et al. D24/135

1 Claim, 4 Drawing Sheets



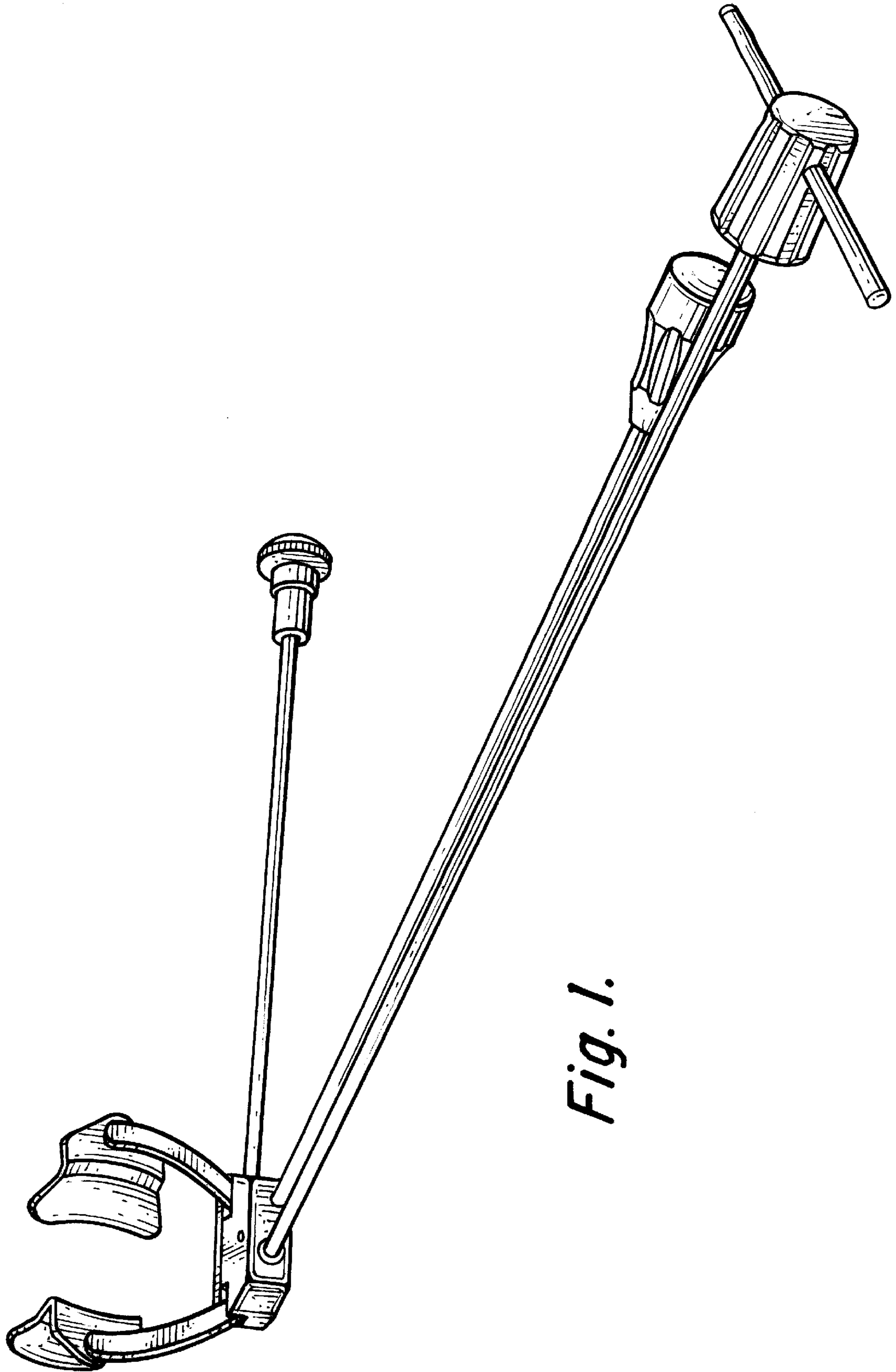


Fig. 1.

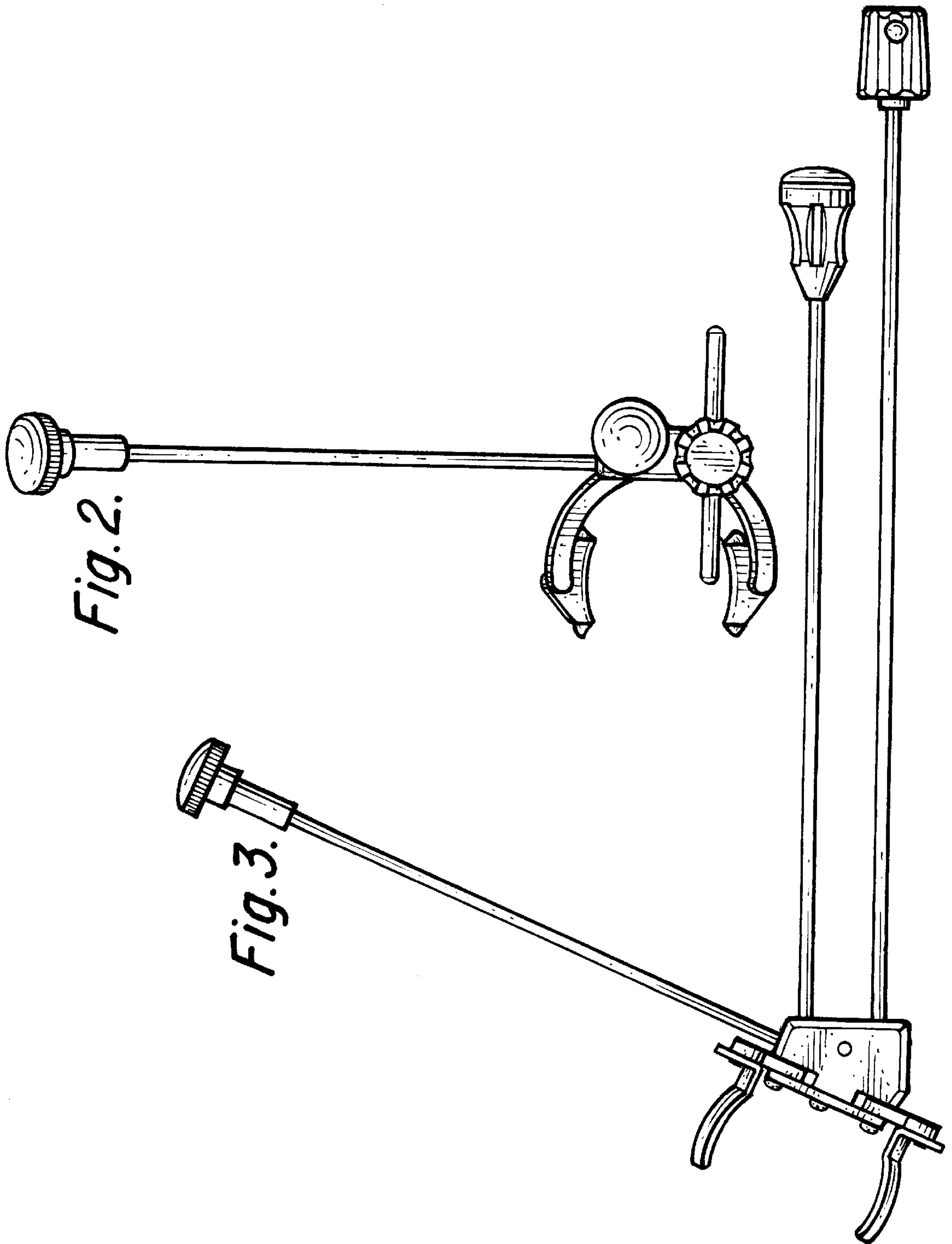
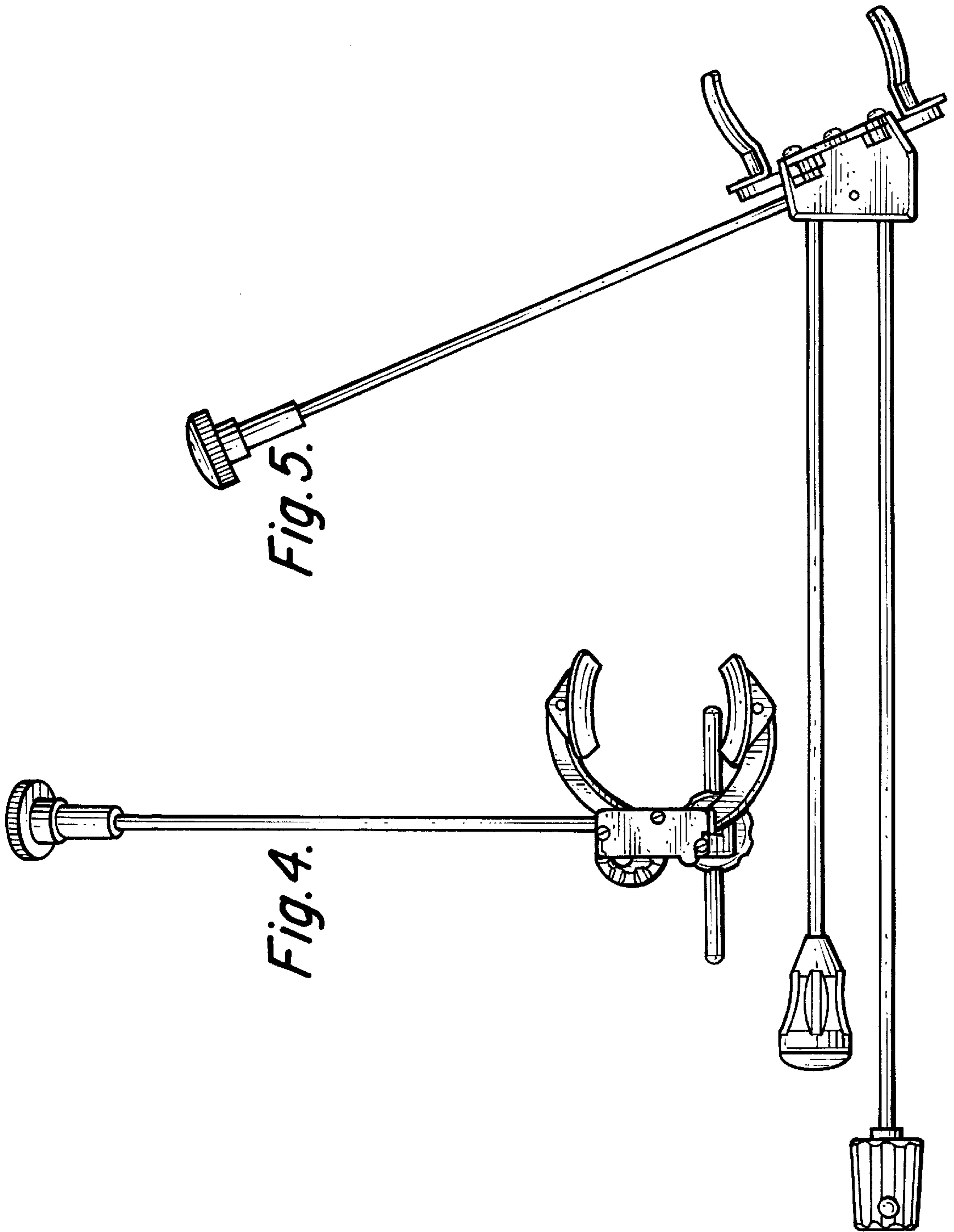


Fig. 2.

Fig. 3.



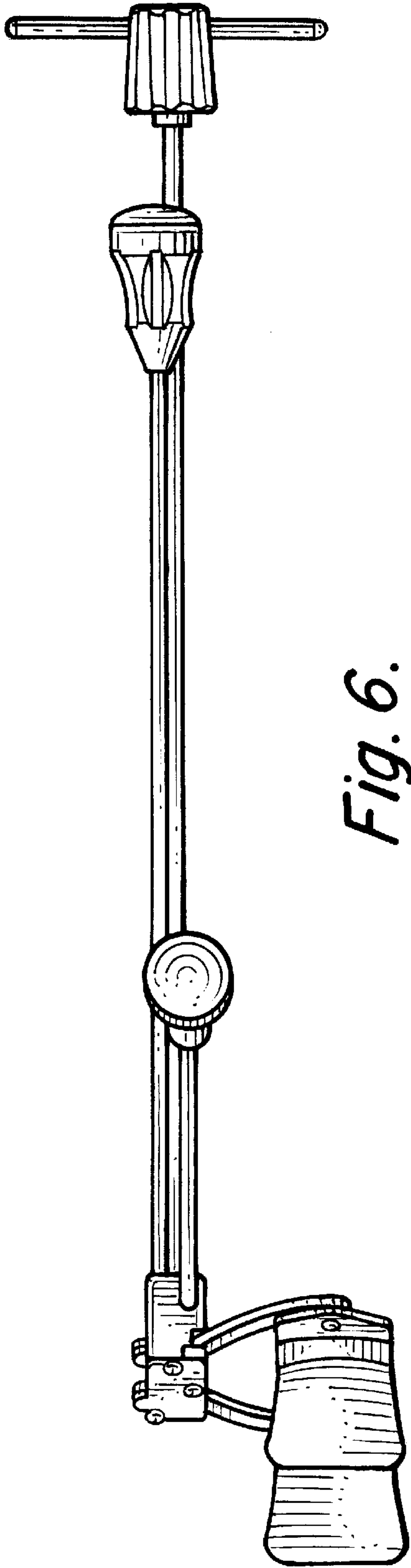


Fig. 6.

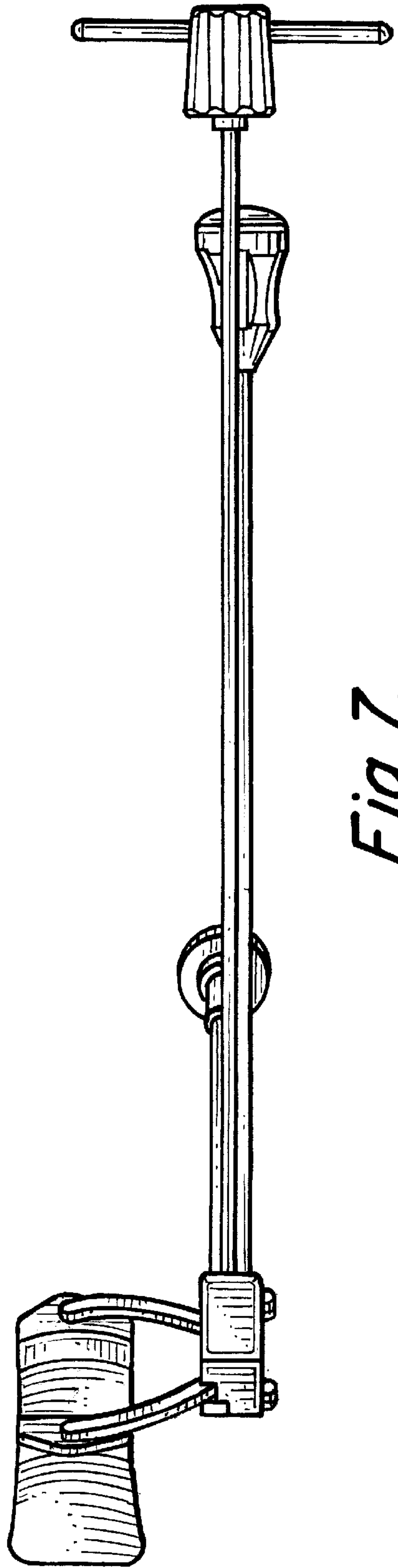


Fig. 7.